



US00D576006S

(12) **United States Design Patent**  
**Houghton**

(10) **Patent No.:** **US D576,006 S**  
(45) **Date of Patent:** **\*\* Sep. 2, 2008**

(54) **SCREWDRIVER**

(75) Inventor: **Stephen Houghton**, Newcastle Upon Tyne (GB)

(73) Assignee: **Black & Decker Inc.**, Newark, DE (US)

(\*\*) Term: **14 Years**

(21) Appl. No.: **29/281,016**

(22) Filed: **Jun. 13, 2007**

(30) **Foreign Application Priority Data**

Dec. 21, 2006 (EM) ..... 000641758

(51) **LOC (8) Cl.** ..... **08-04**

(52) **U.S. Cl.** ..... **D8/68**

(58) **Field of Classification Search** ..... D8/14.1,  
D8/61-70; 81/57.11, 429, 454-456, 469,  
81/489; 173/13, 104, 114, 168-171, 178,  
173/201, 211, 213, 217; 408/20, 124, 125,  
408/234, 241 R; 451/358; 310/50; 227/8,  
227/113, 114, 120, 130, 136, 142  
See application file for complete search history.

(56) **References Cited**

**U.S. PATENT DOCUMENTS**

- 3,724,237 A \* 4/1973 Wood ..... 408/20
- 4,286,125 A 8/1981 Schaffeler et al.
- 4,584,903 A 4/1986 Hirt et al.
- 4,803,390 A 2/1989 Bertram et al.
- D304,287 S \* 10/1989 Zurwelle ..... D8/68
- D344,000 S \* 2/1994 Shibata et al. .... D8/68
- D353,526 S \* 12/1994 Hoshino ..... D8/68
- 5,372,206 A \* 12/1994 Sasaki et al. .... 173/178
- D394,995 S \* 6/1998 Cooper ..... D8/68
- 6,007,277 A \* 12/1999 Olson et al. .... 408/124
- D428,320 S 7/2000 Ohi et al.
- D442,455 S 5/2001 Shiao
- 6,309,319 B1 10/2001 Moon et al.
- D467,781 S \* 12/2002 Kunz et al. .... D8/68
- D470,378 S \* 2/2003 Chunn et al. .... D8/68
- D490,677 S \* 6/2004 Chung et al. .... D8/68

- 6,776,069 B2 8/2004 Soreo
- D496,574 S \* 9/2004 Sakai et al. .... D8/68
- 6,803,683 B2 10/2004 Bone et al.
- D497,786 S \* 11/2004 Concari ..... D8/68
- 7,000,509 B2 2/2006 Shiao
- 7,053,325 B2 5/2006 Yuasa et al.
- D527,236 S 8/2006 Wu
- 7,134,364 B2 11/2006 Kageler et al.
- D534,403 S \* 1/2007 Concari ..... D8/68
- 7,318,485 B2 \* 1/2008 Greese et al. .... 310/50
- D566,506 S \* 4/2008 Aglassinger ..... D8/68
- 2007/0120527 A1 5/2007 Roehm et al.
- 2007/0246238 A1 \* 10/2007 Hsu ..... 173/217

**FOREIGN PATENT DOCUMENTS**

- DE 8803570 1/1990
- DE 9400625 9/1994
- DE 9409106 5/1995
- DE 49912214 5/2000
- DE 40111041 9/2002
- DE 40502223 8/2005

(Continued)

*Primary Examiner*—T. Chase Nelson  
(74) *Attorney, Agent, or Firm*—Bruce S. Shapiro; John Yun; Wesley W. Muller

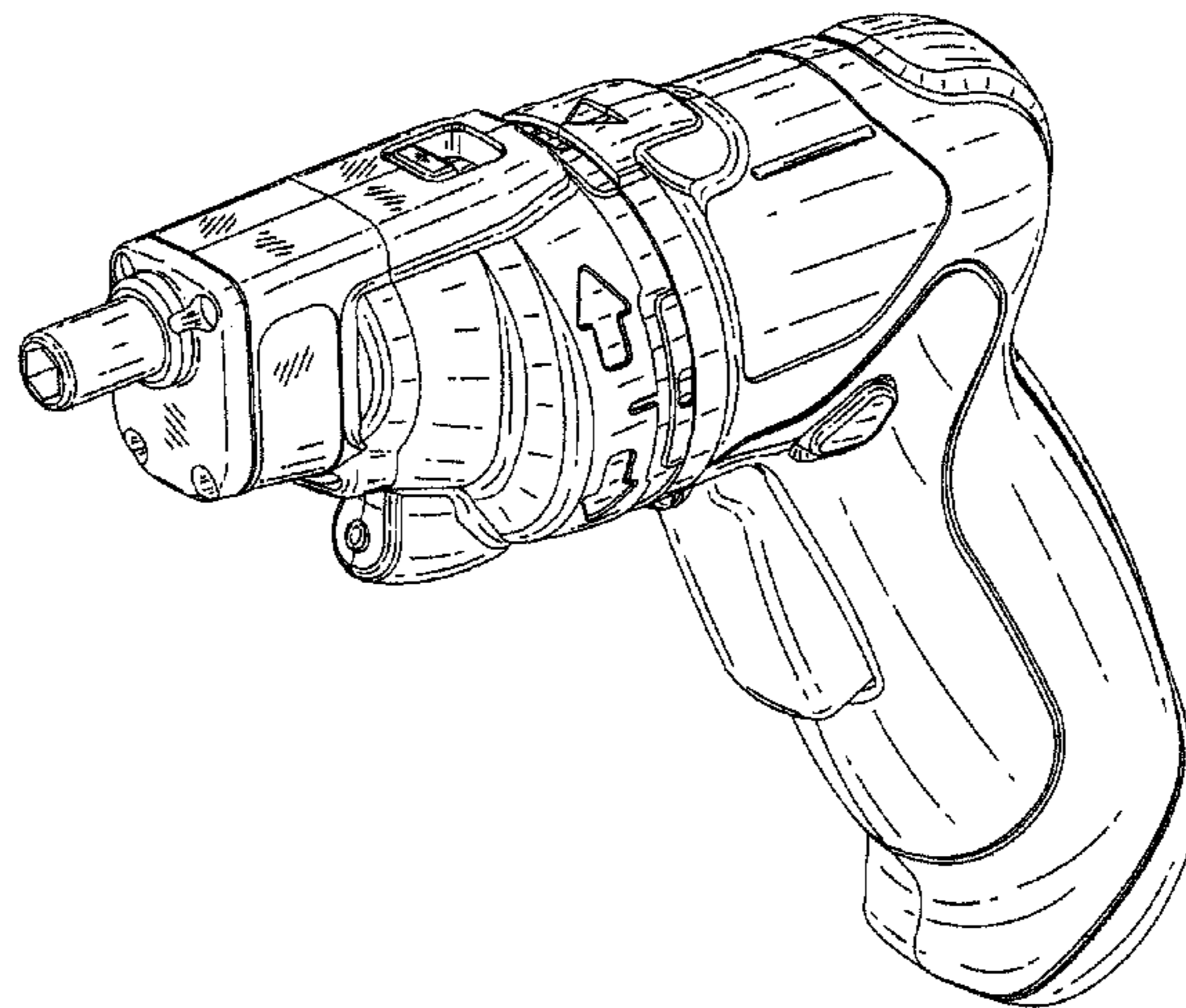
(57) **CLAIM**

The ornamental design for a screwdriver, shown and described.

**DESCRIPTION**

- FIG. 1 is a left/front perspective view of a screwdriver.
- FIG. 2 is a left side view thereof.
- FIG. 3 is a right side view thereof.
- FIG. 4 is a front view thereof.
- FIG. 5 is a rear view thereof.
- FIG. 6 is a top view thereof.
- FIG. 7 is a bottom view thereof; and,
- FIG. 8 is a right/rear perspective view thereof.

**1 Claim, 6 Drawing Sheets**



# US D576,006 S

Page 2

---

| FOREIGN PATENT DOCUMENTS |           |         |    |            |         |
|--------------------------|-----------|---------|----|------------|---------|
|                          |           |         | EM | 000368055  | 9/2005  |
|                          |           |         | EM | 000399779  | 11/2005 |
| DM                       | 028653    | 2/1994  | EM | 000420765  | 12/2005 |
| DM                       | 067002    | 3/2006  | EM | 000438908  | 1/2006  |
| EM                       | 000048996 | 10/2003 | EM | 000469846  | 2/2006  |
| EM                       | 000053038 | 10/2003 | EM | 000487632  | 4/2006  |
| EM                       | 000120522 | 4/2004  | EM | 000517511  | 4/2006  |
| EM                       | 000125091 | 4/2004  | EM | 000591003  | 10/2006 |
| EM                       | 000276795 | 3/2005  | EM | 000607262  | 12/2006 |
| EM                       | 000281217 | 4/2005  | WO | 2006015909 | 2/2006  |
| EM                       | 000337712 | 6/2005  |    |            |         |
| EM                       | 000348875 | 8/2005  |    |            |         |

\* cited by examiner

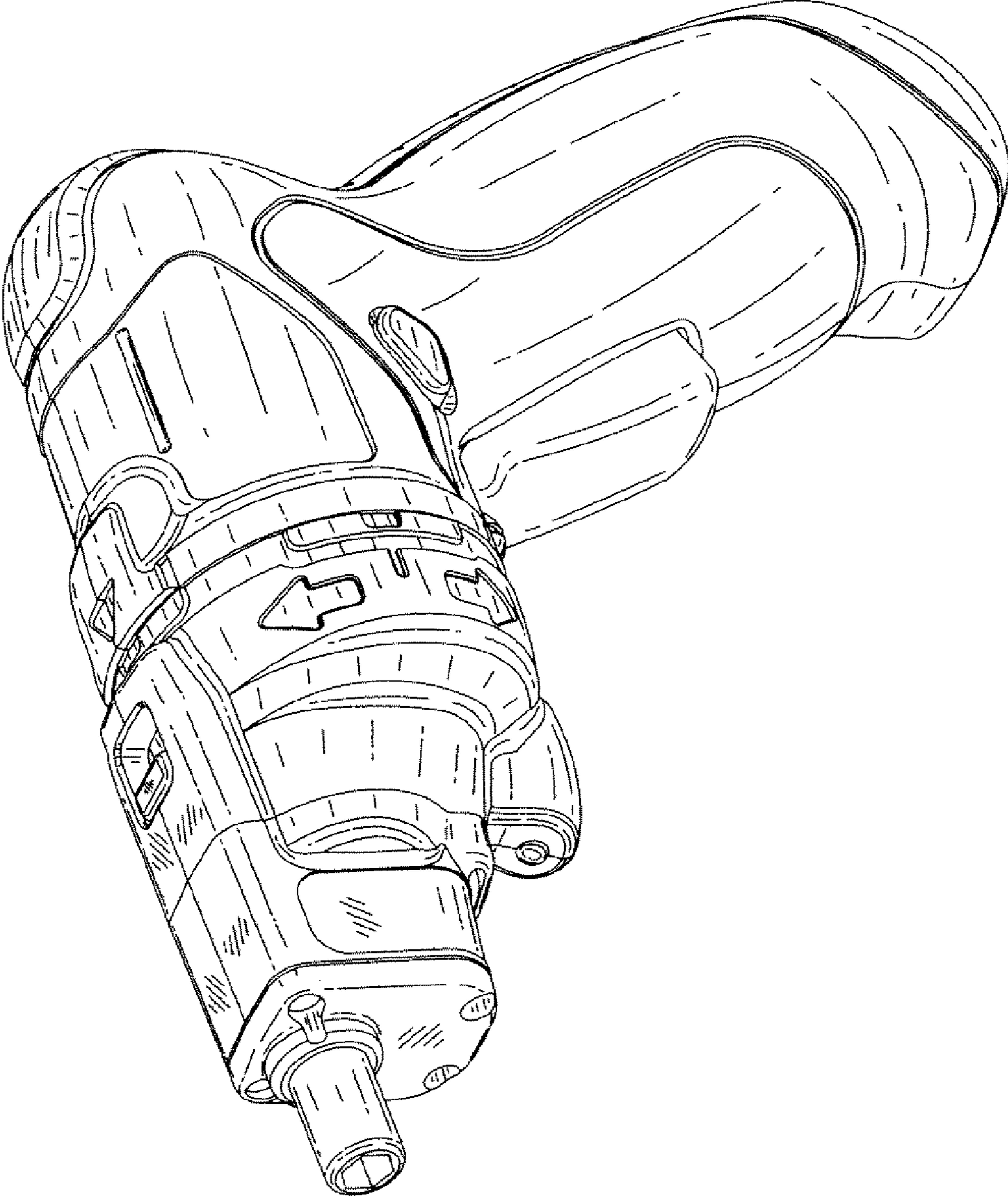


FIG.1

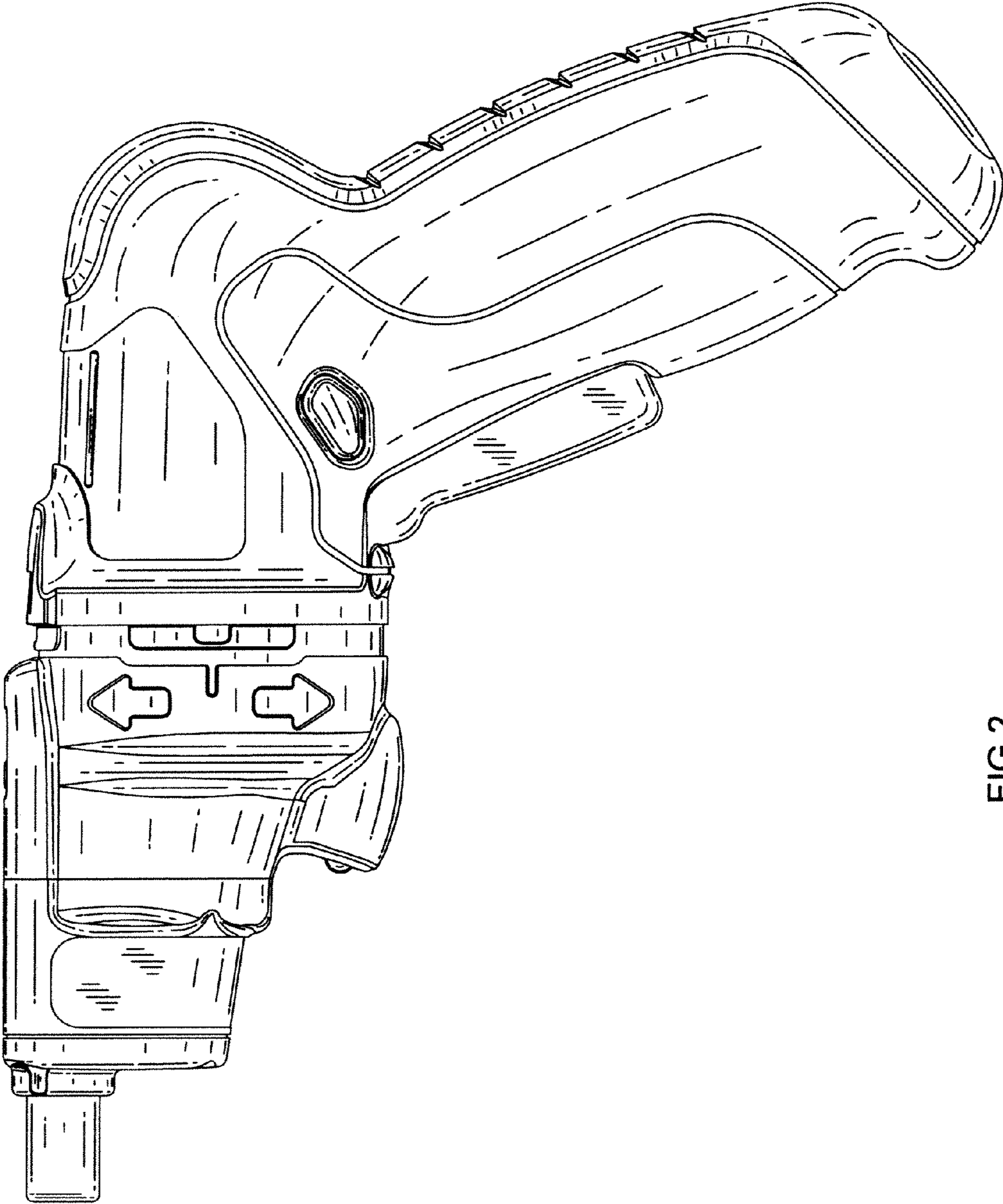


FIG.2

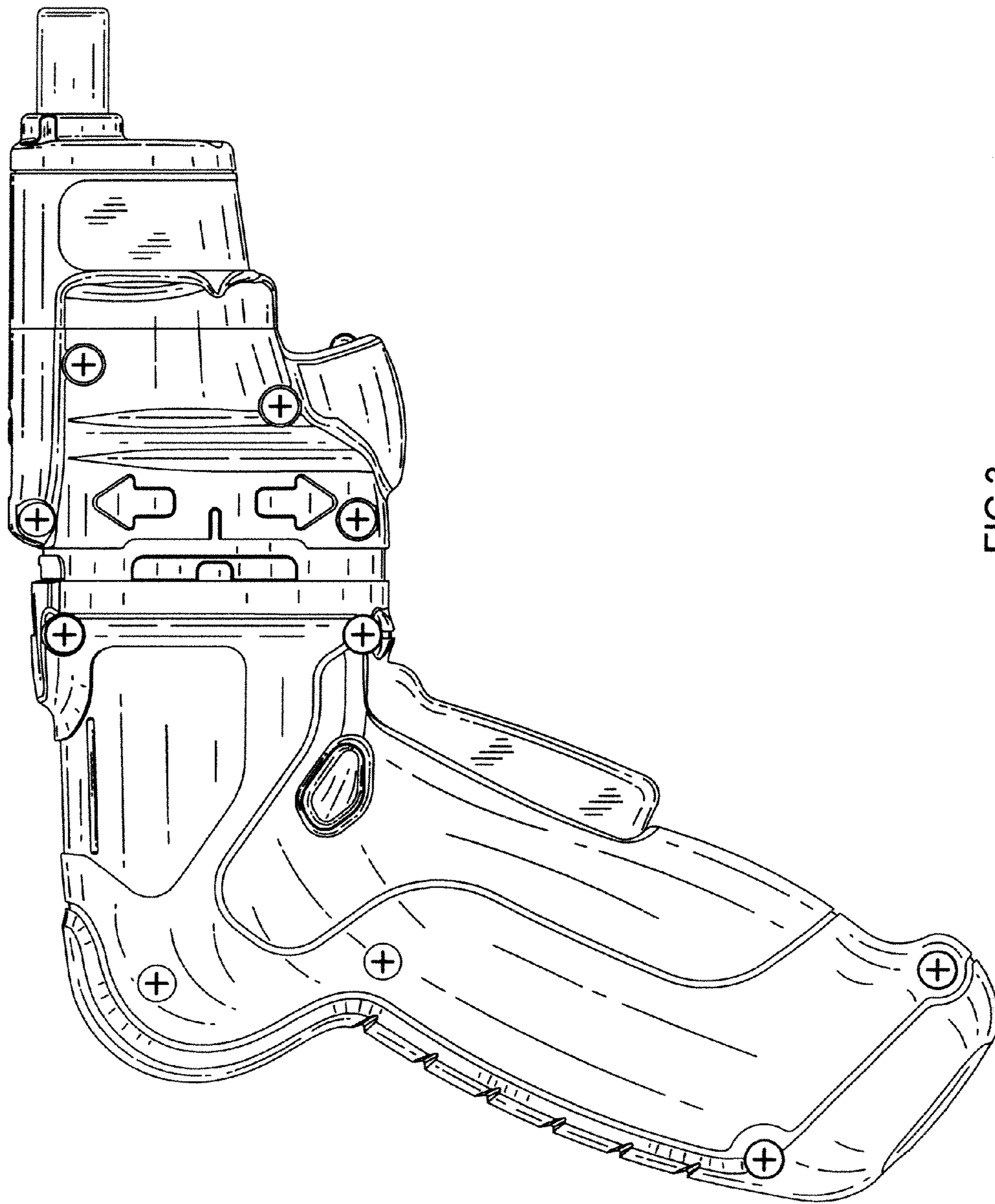


FIG.3

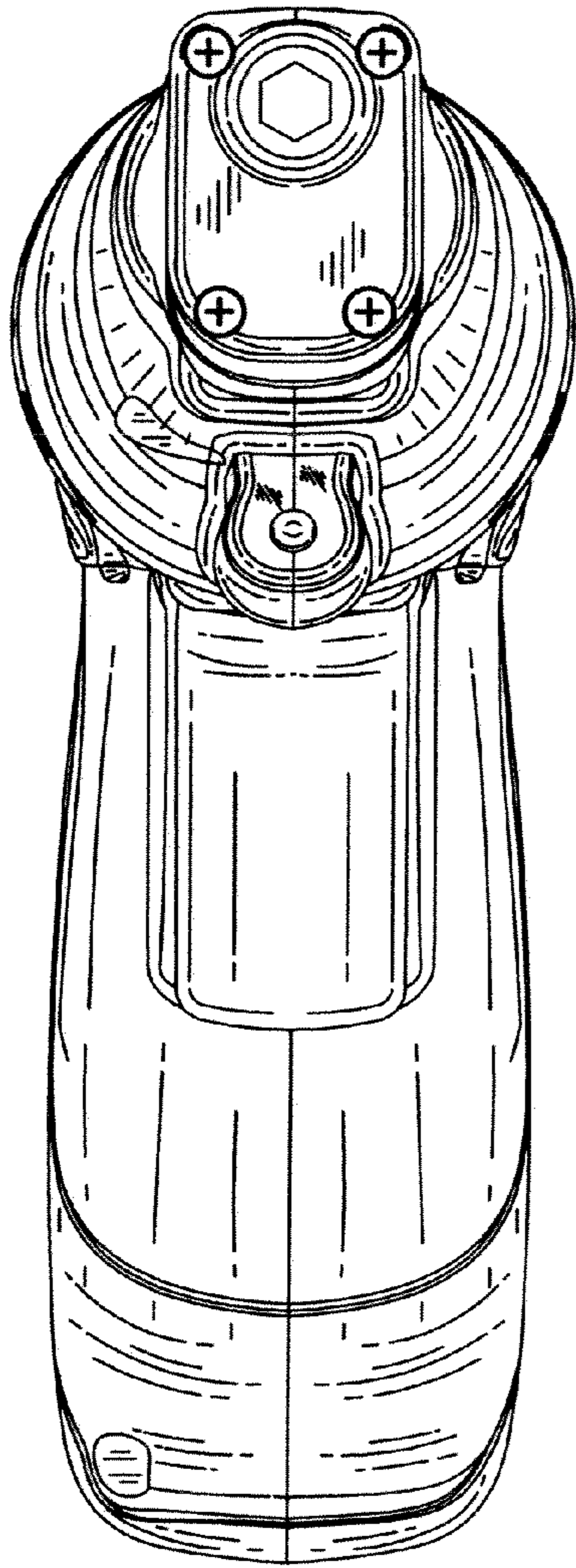


FIG.4

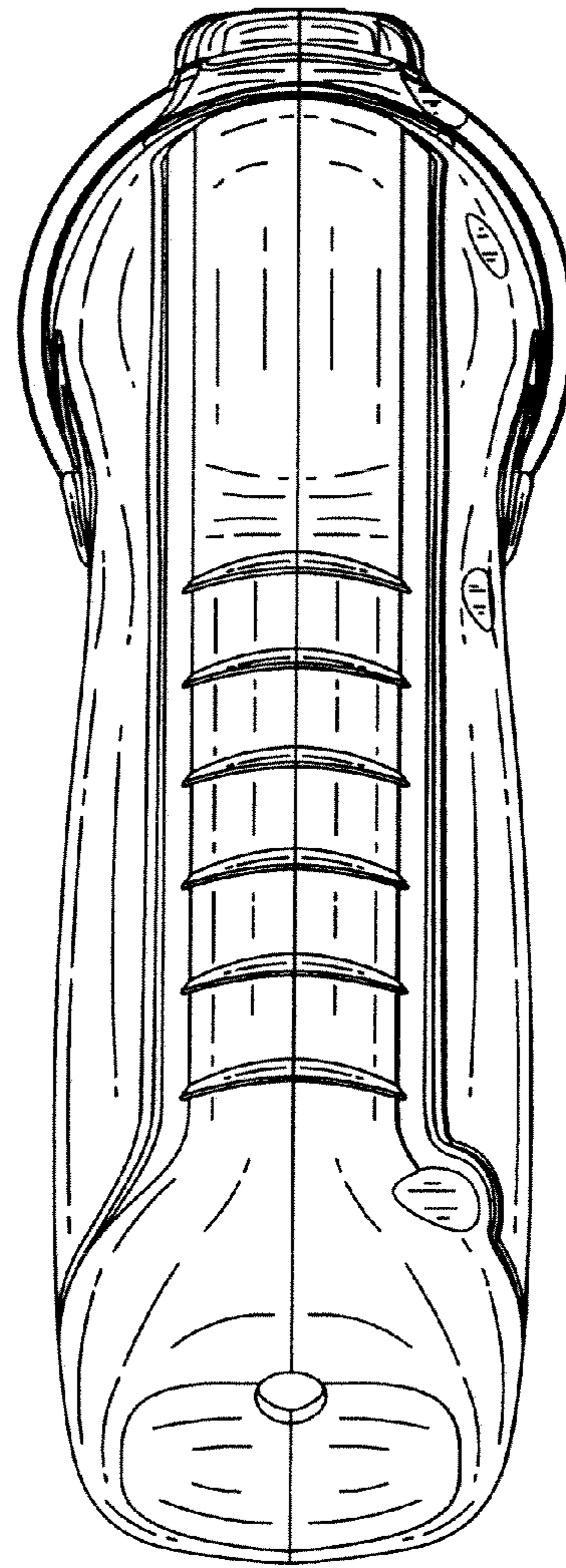


FIG.5

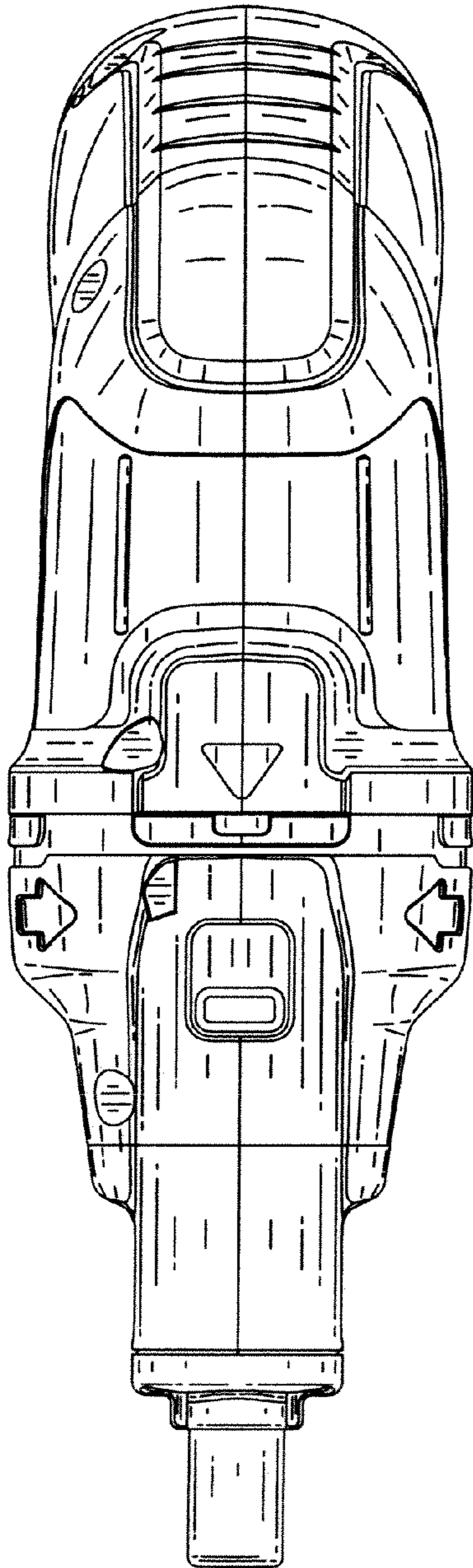


FIG.6

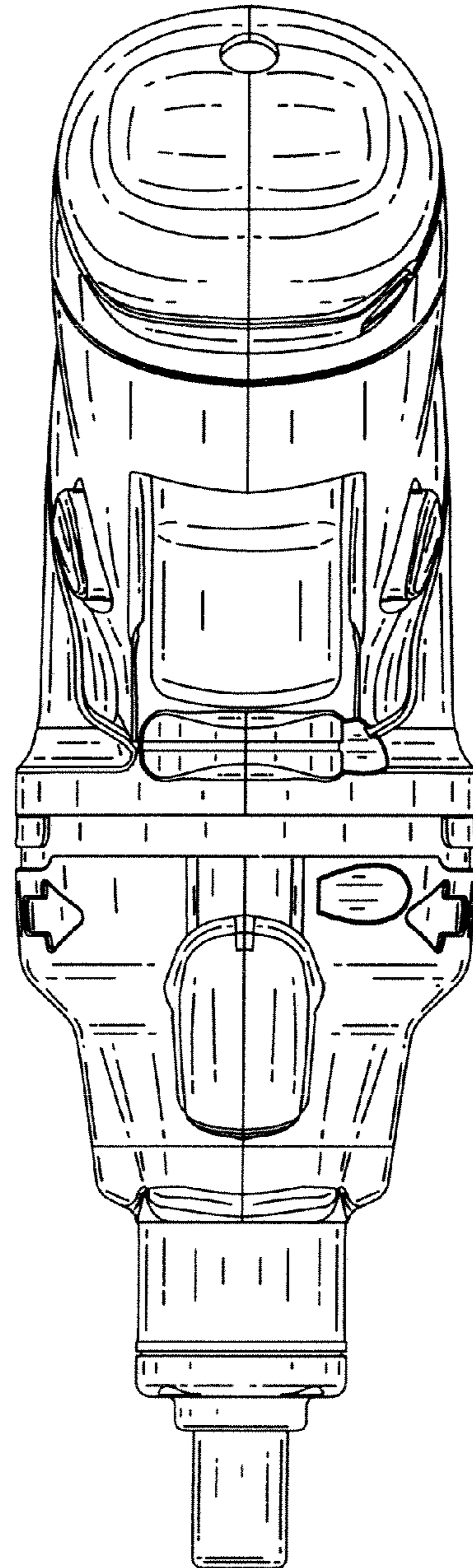


FIG.7

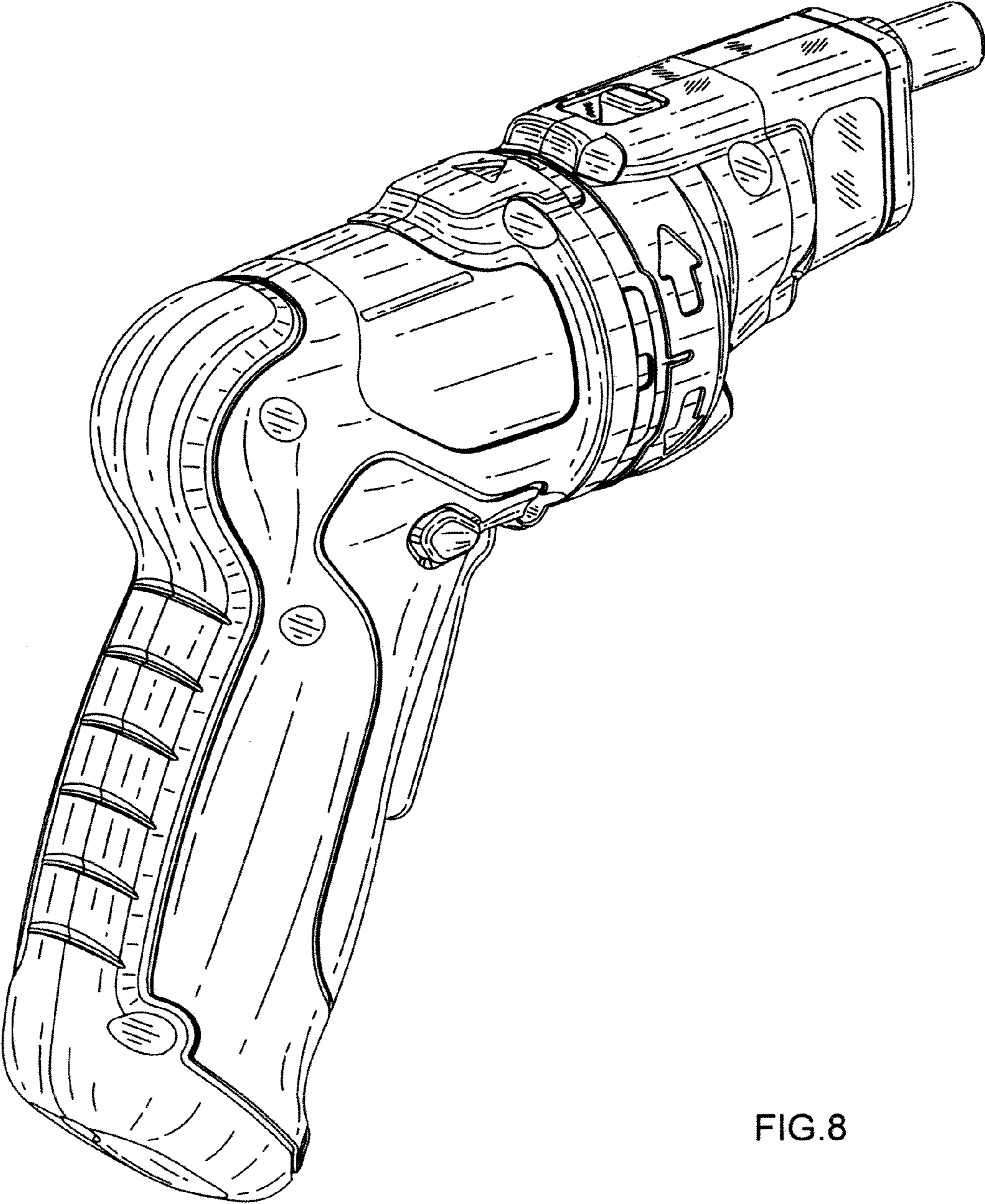


FIG.8