



US00D575999S

(12) **United States Design Patent**  
**Funka, Jr.**

(10) **Patent No.:** **US D575,999 S**  
(45) **Date of Patent:** **\*\* Sep. 2, 2008**

(54) **UNITARY PORTION CONTROL DISPENSER AND SPREADER**

D488,680 S \* 4/2004 Kwok ..... D7/681  
D494,876 S \* 8/2004 Tollman ..... D10/46.2  
D555,438 S 11/2007 Schreiber-Pethan et al.  
D555,985 S 11/2007 Schreiber-Pethan et al.

(75) Inventor: **Thomas M. Funka, Jr.**, Vero Beach, FL (US)

\* cited by examiner

(73) Assignee: **The Zeroll Co.**, Ft. Pierce, FL (US)

*Primary Examiner*—Terry A Wallace

(\*\*) Term: **14 Years**

(74) *Attorney, Agent, or Firm*—Fraser Clemens Martin & Miller LLC; Donald R. Fraser

(21) Appl. No.: **29/297,664**

(57) **CLAIM**

(22) Filed: **Nov. 15, 2007**

The ornamental design for a unitary portion control dispenser and spreader, as shown and described.

(51) **LOC (8) Cl.** ..... **07-99**

(52) **U.S. Cl.** ..... **D7/681**

(58) **Field of Classification Search** ..... D7/681–696;  
30/324–328; 294/55; 425/276–286, 299,  
425/DIG. 13

See application file for complete search history.

**DESCRIPTION**

FIG. 1 is a top perspective view of a unitary portion control dispenser and spreader incorporating the design invention;

FIG. 2 is a top plan view of the unitary portion control dispenser and spreader illustrated in FIG. 1;

FIG. 3 is a right side elevational view thereof;

FIG. 4 is a left side elevational view thereof; and,

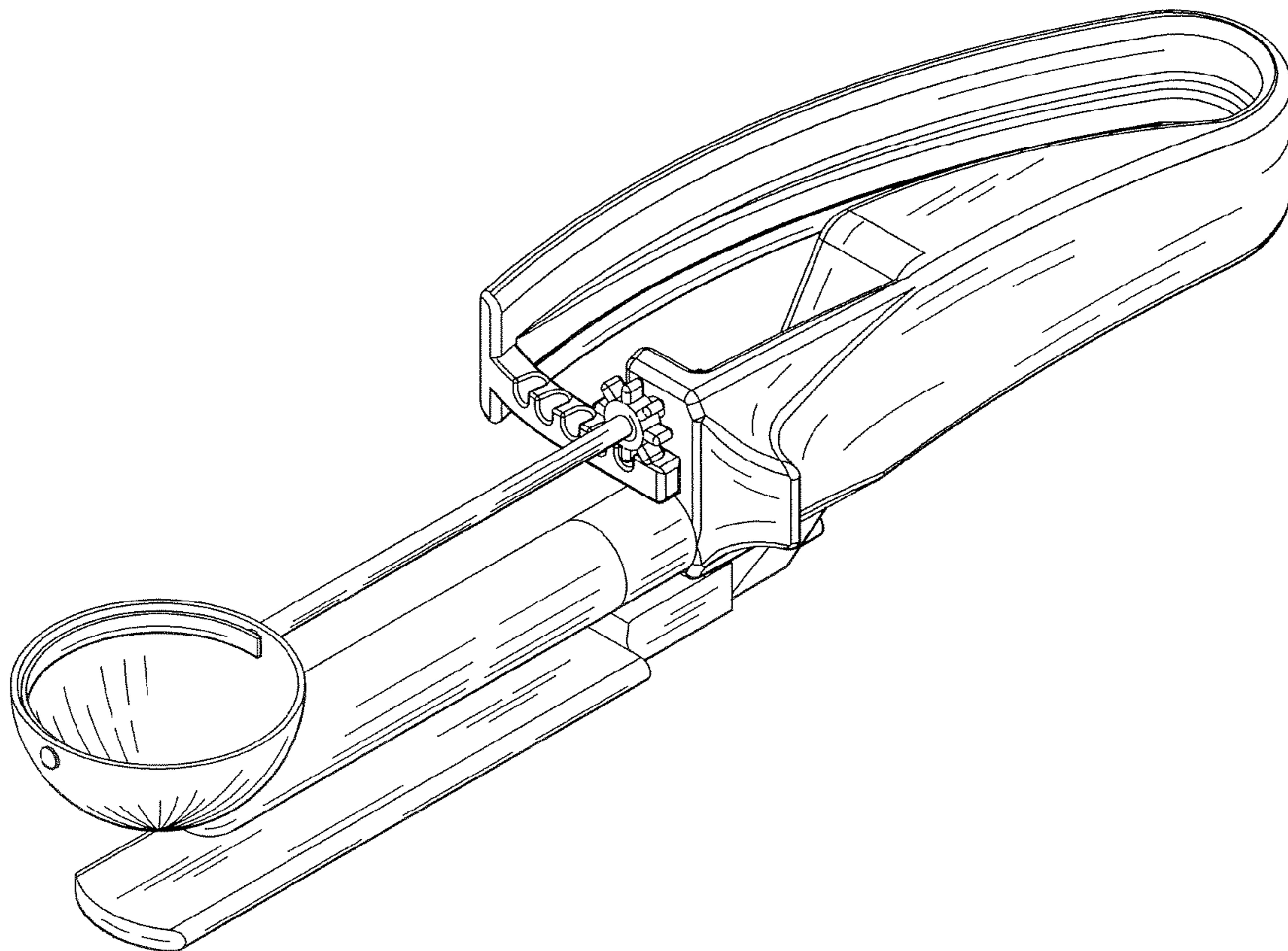
FIG. 5 is a bottom plan view thereof.

(56) **References Cited**

**U.S. PATENT DOCUMENTS**

2,351,568 A \* 6/1944 Wheaton ..... 205/73  
3,208,404 A \* 9/1965 Schlessel ..... 425/285  
5,326,248 A \* 7/1994 Thuecks et al. .... 425/187

**1 Claim, 2 Drawing Sheets**



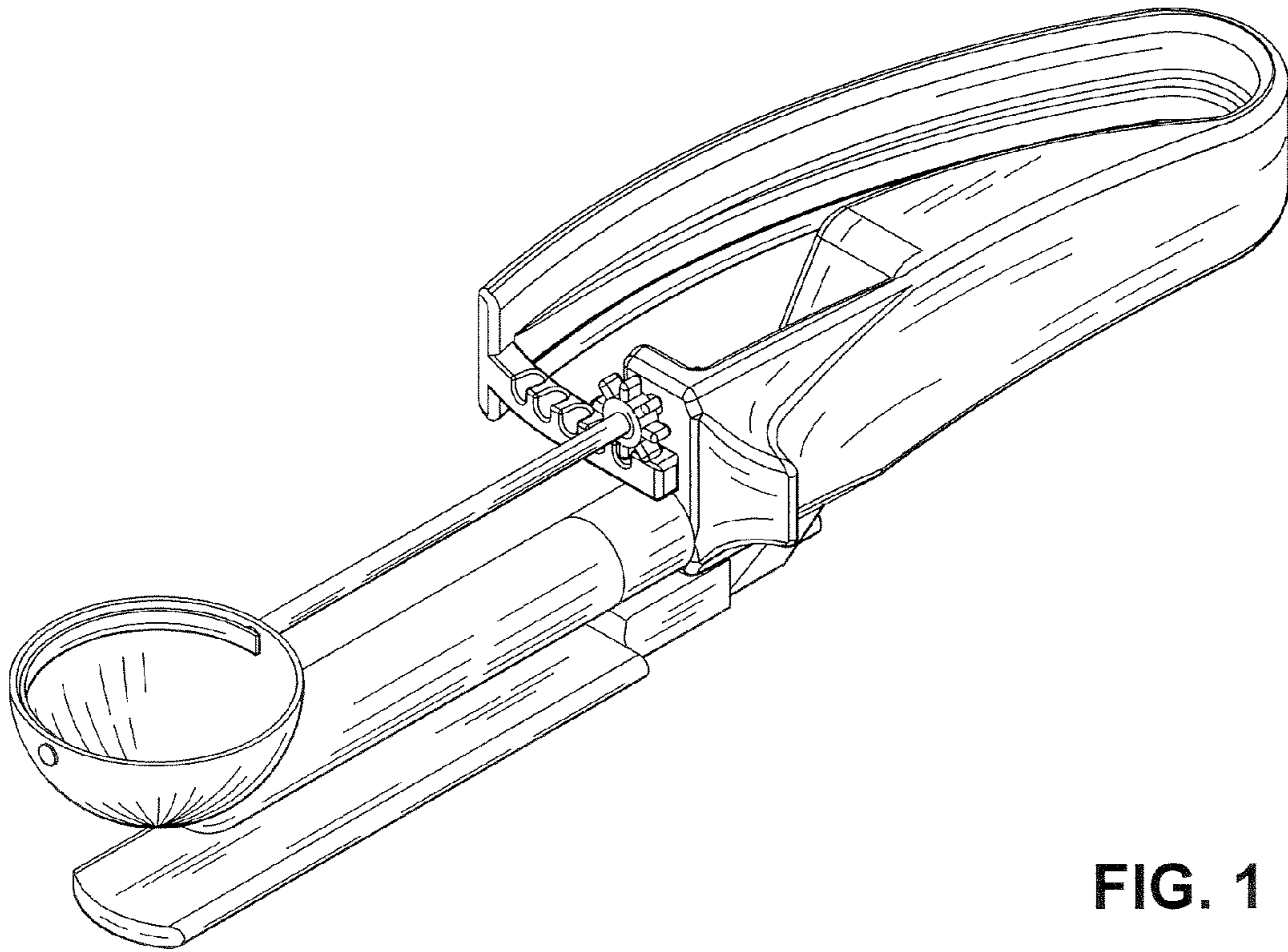


FIG. 1

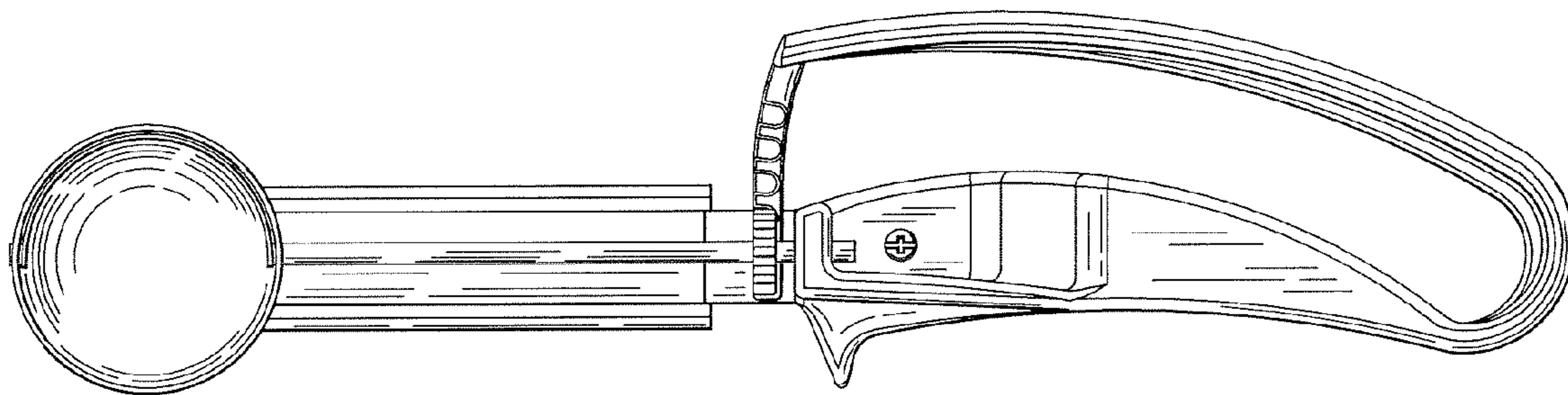


FIG. 2

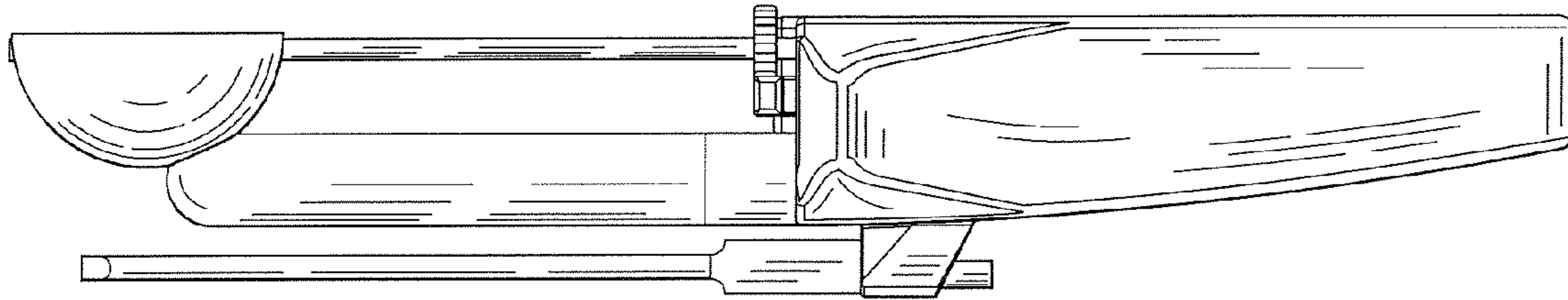


FIG. 3

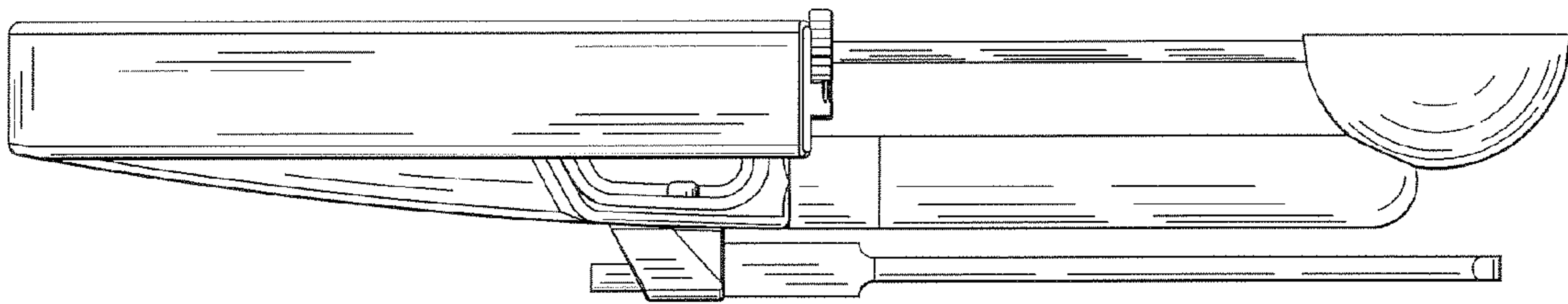


FIG. 4

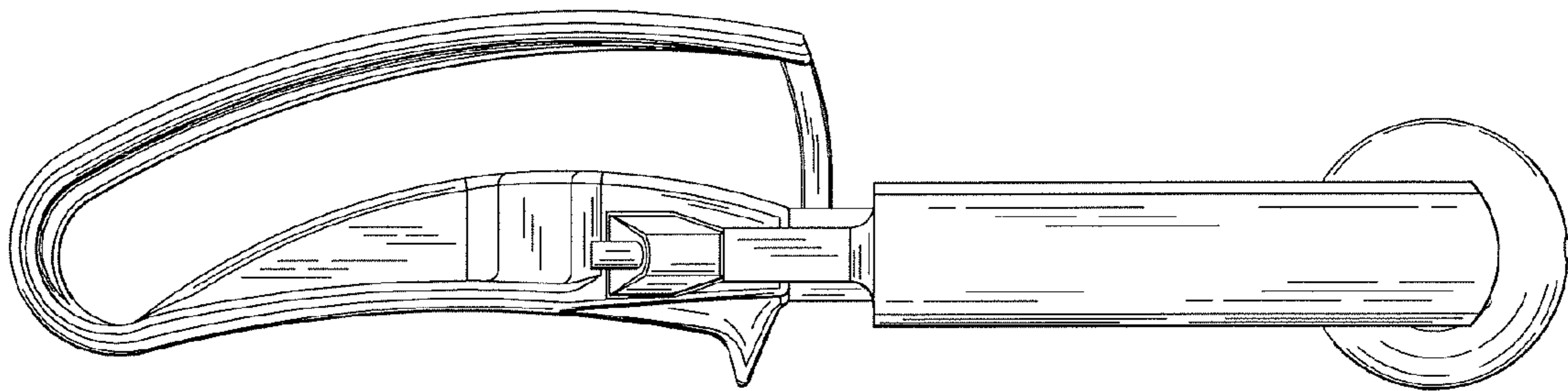


FIG. 5