

US00D575993S

(12) **United States Design Patent**
Seehoff et al.

(10) **Patent No.:** **US D575,993 S**
(45) **Date of Patent:** **** Sep. 2, 2008**

(54) **AVOCADO SAVER**

4,605,127 A * 8/1986 Magnussen, Jr. 206/525

(76) Inventors: **Gary S. Seehoff**, 3701 Dellvale Pl.,
Encino, CA (US) 91436; **Bryan Golden**,
320 W. Shoshone, Ventura, CA (US)
93001

* cited by examiner

Primary Examiner—Terry A Wallace

(**) Term: **14 Years**

(57) **CLAIM**

The ornamental design(s) for the avocado saver, as shown.

(21) Appl. No.: **29/299,434**

(22) Filed: **Dec. 26, 2007**

DESCRIPTION

(51) **LOC (8) Cl.** **07-06**

FIG. 1 is a top plan view of an avocado saver showing my new design;

(52) **U.S. Cl.** **D7/601**

FIG. 2 is a left side view thereof;

(58) **Field of Classification Search** D7/602,

FIG. 3 is a front view thereof;

D7/629; 220/4.21–4.23, 810, 811, 847, 848,

FIG. 4 is a right side view thereof;

220/845, 754, 521; 99/426; 206/457, 4.23,

FIG. 5 is a rear view thereof;

206/521.1, 524.1, 525, 560–565

FIG. 6 is a bottom view thereof;

See application file for complete search history.

FIG. 7 is a perspective view thereof; and,

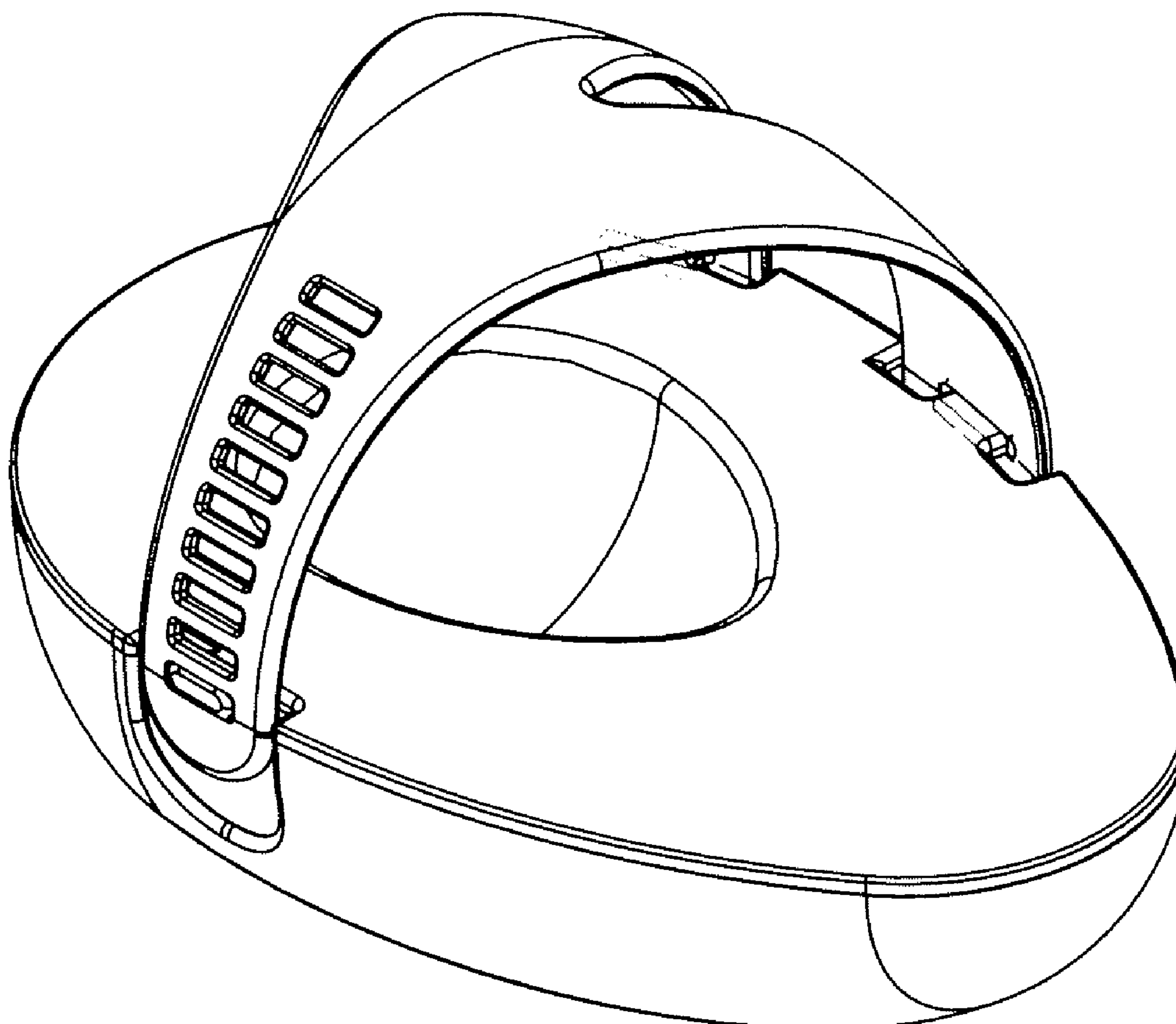
(56) **References Cited**

FIG. 8 is a cross-sectional view thereof.

U.S. PATENT DOCUMENTS

2,687,246 A * 8/1954 Randall 229/406

1 Claim, 8 Drawing Sheets



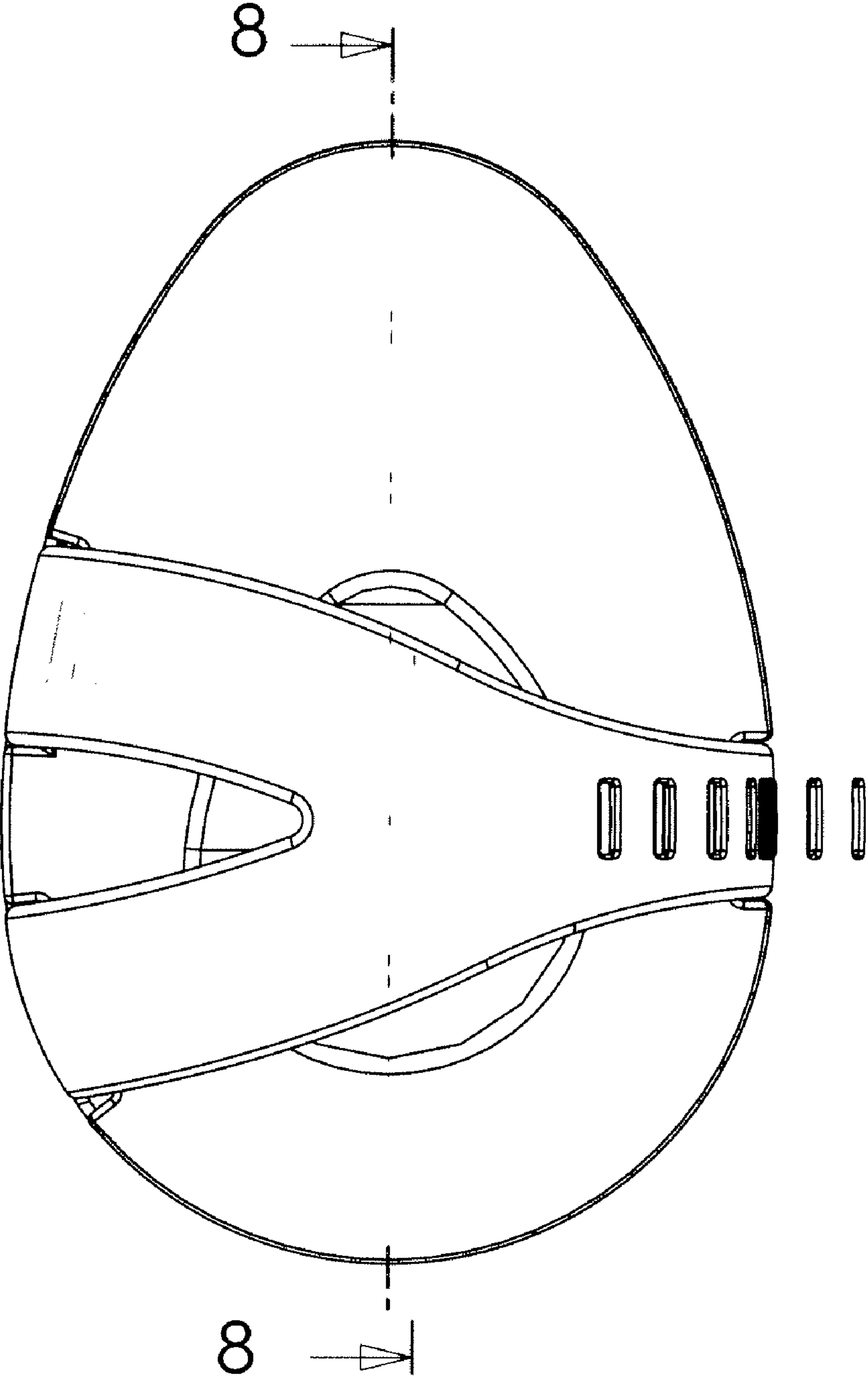


Fig 1

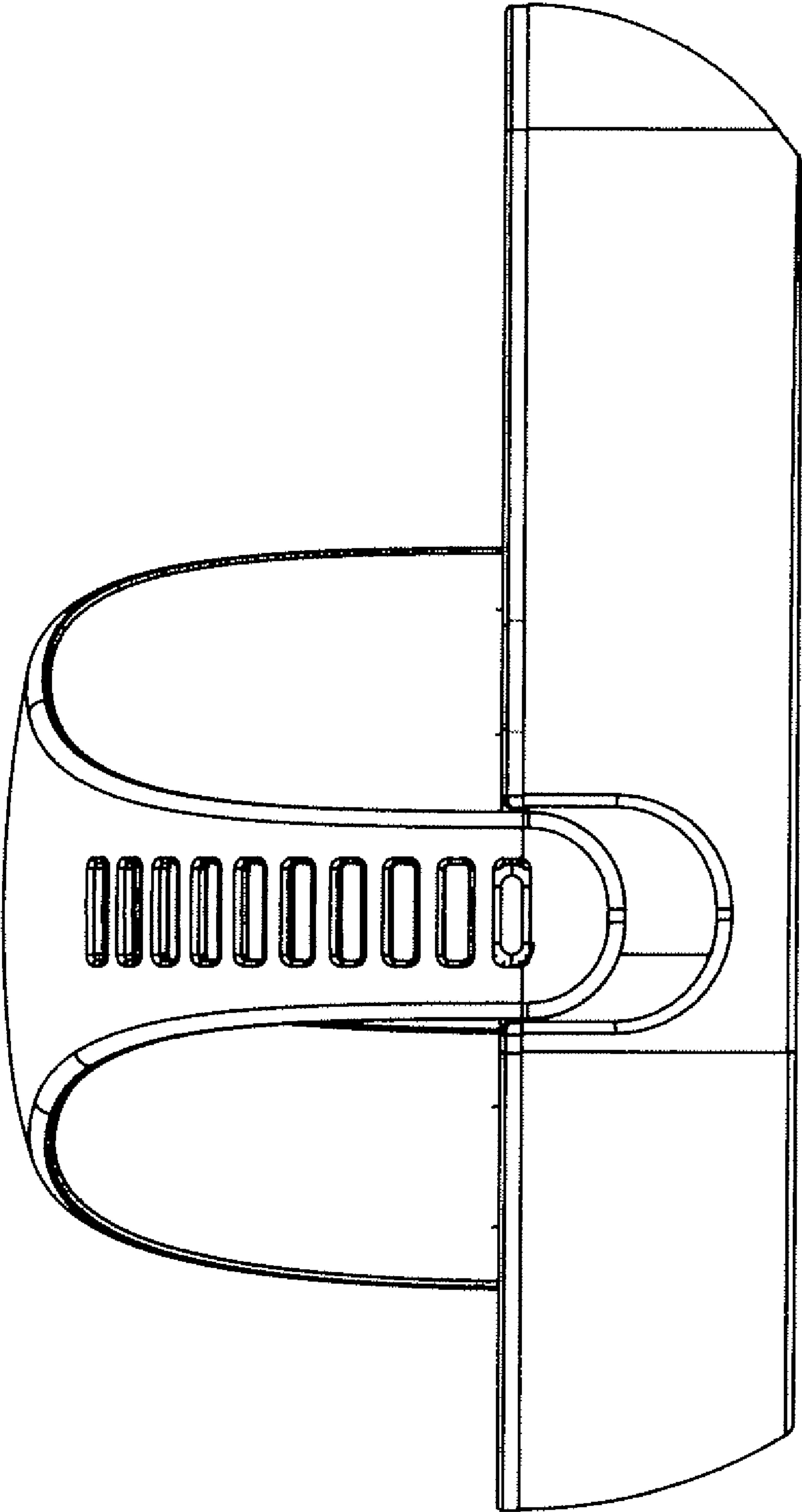


Fig 2

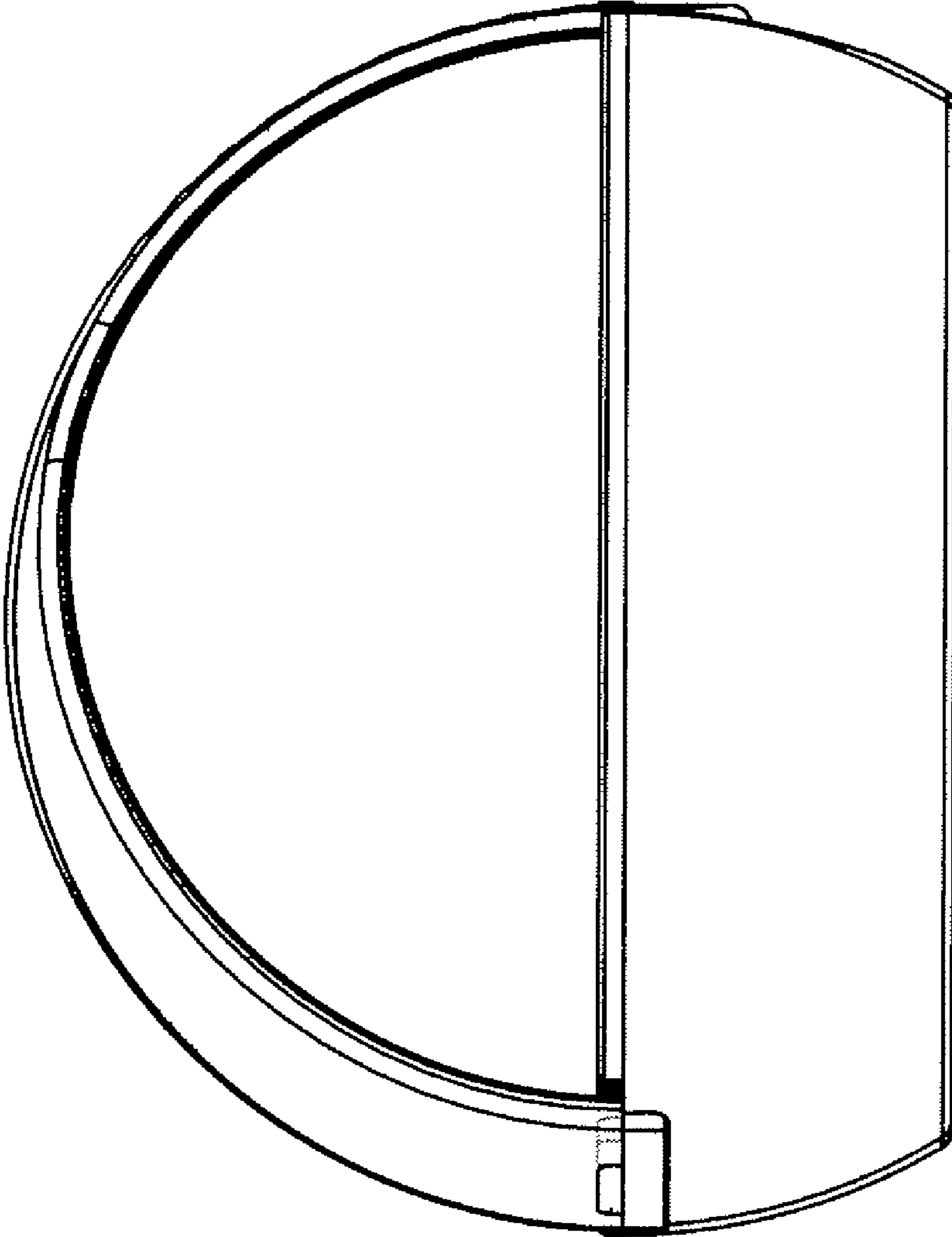


Fig 3

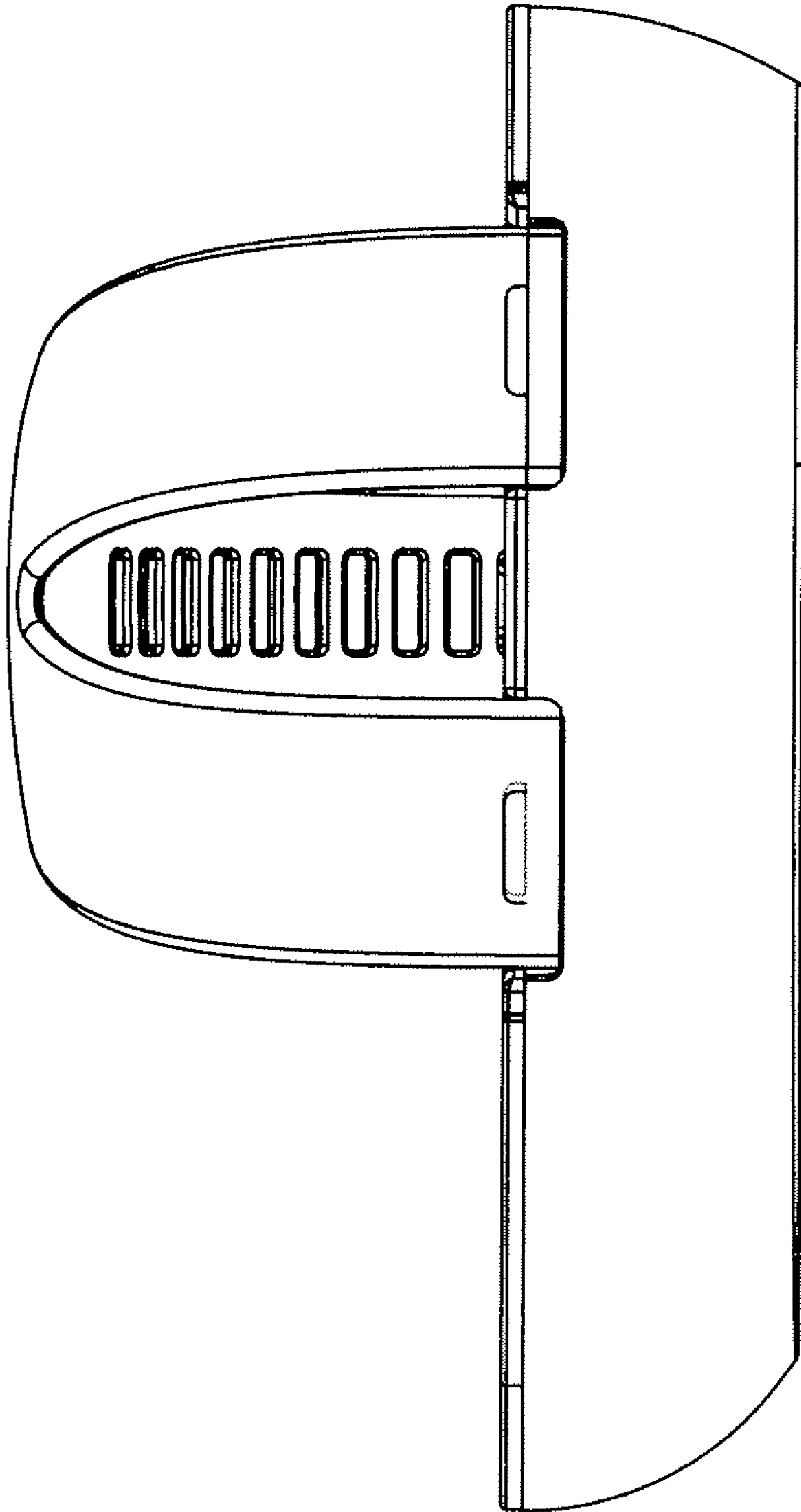


Fig 4

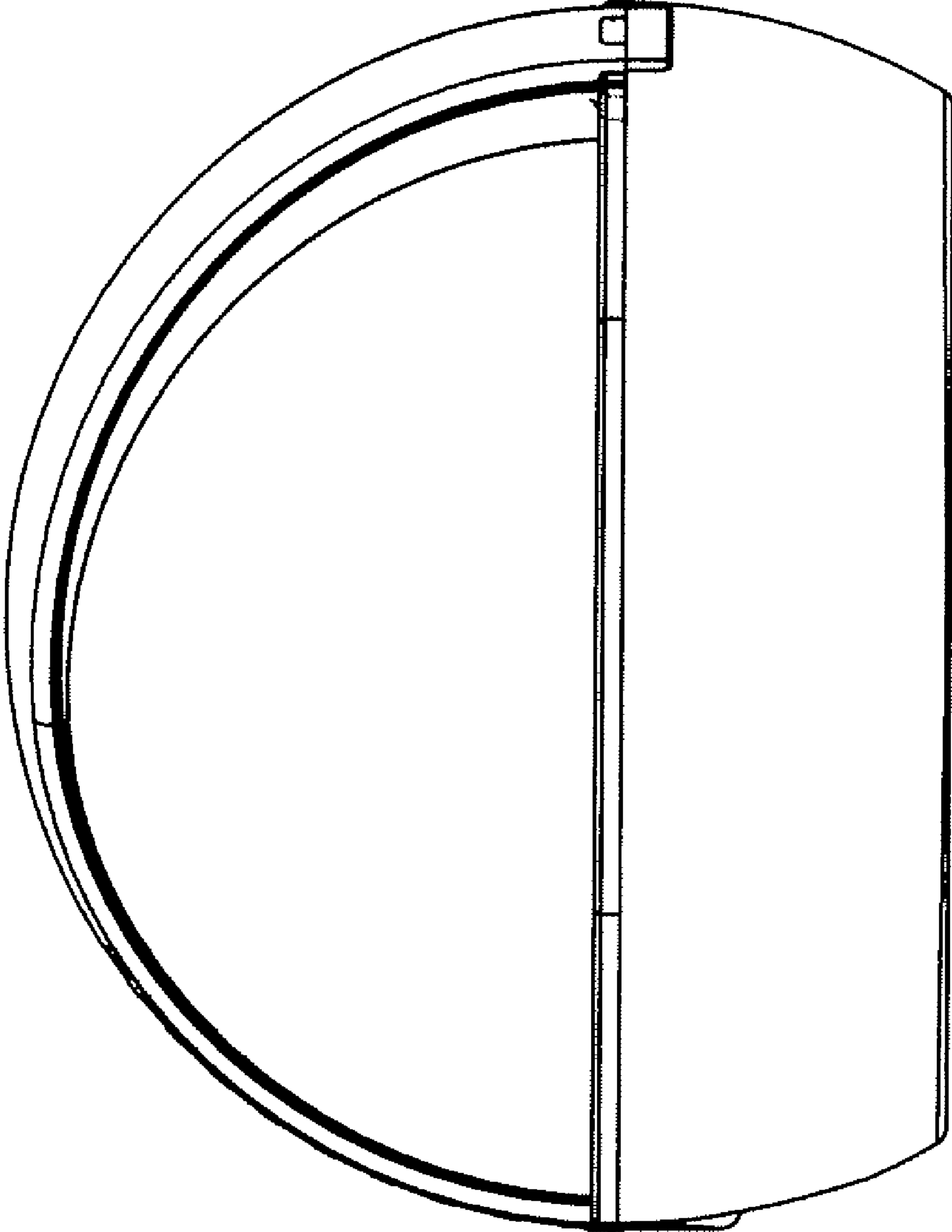


Fig 5

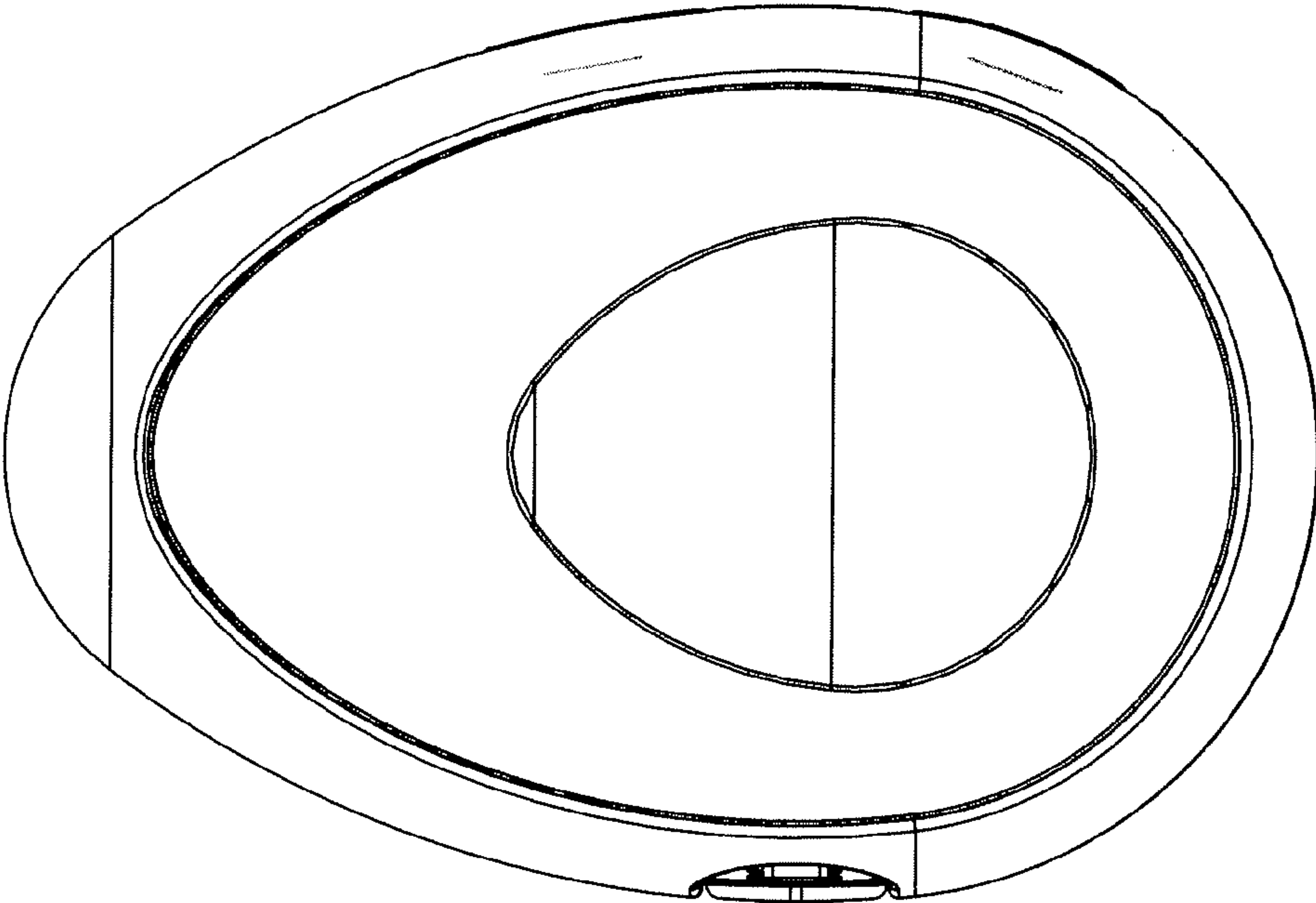


Fig 6

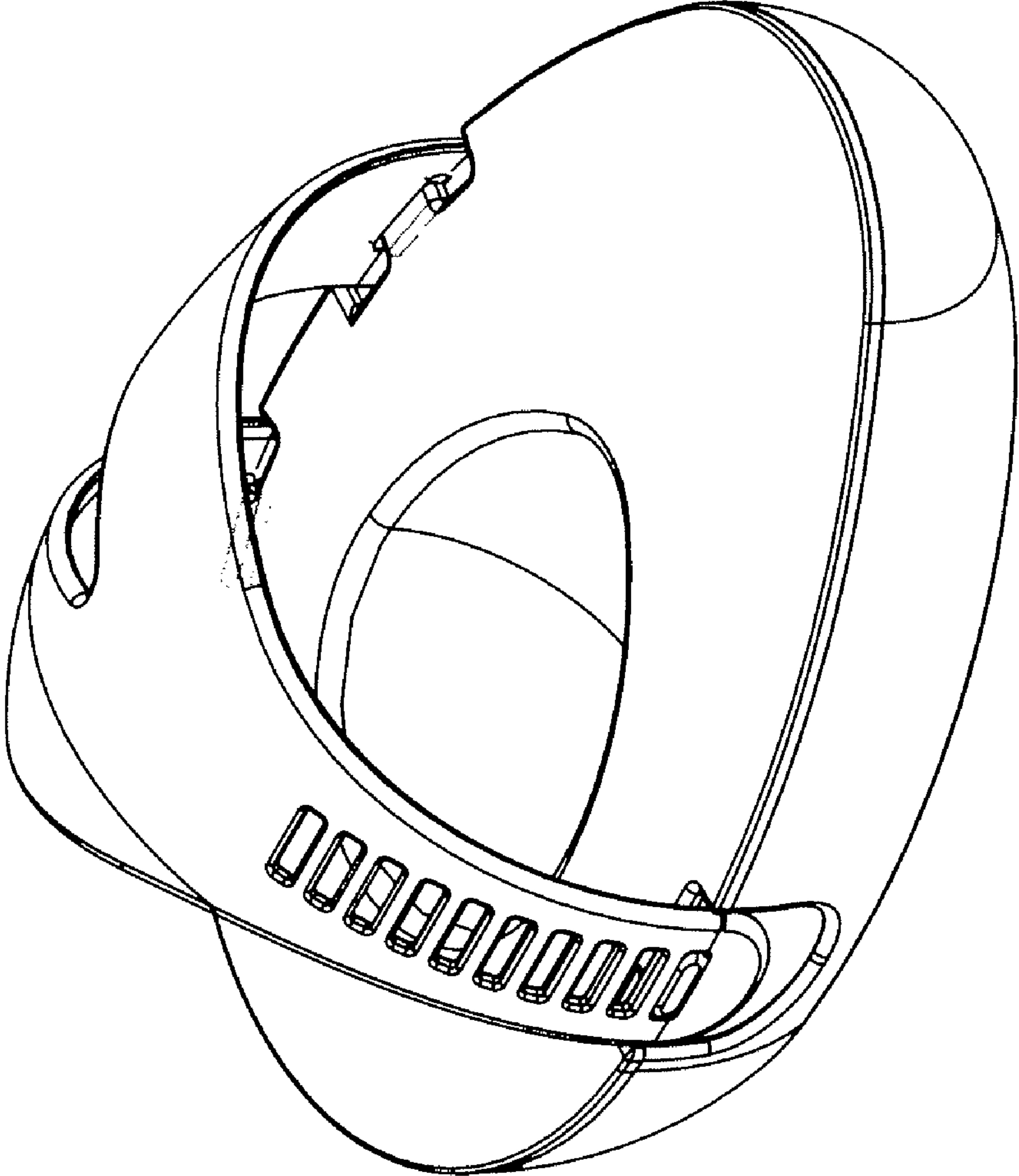


Fig 7

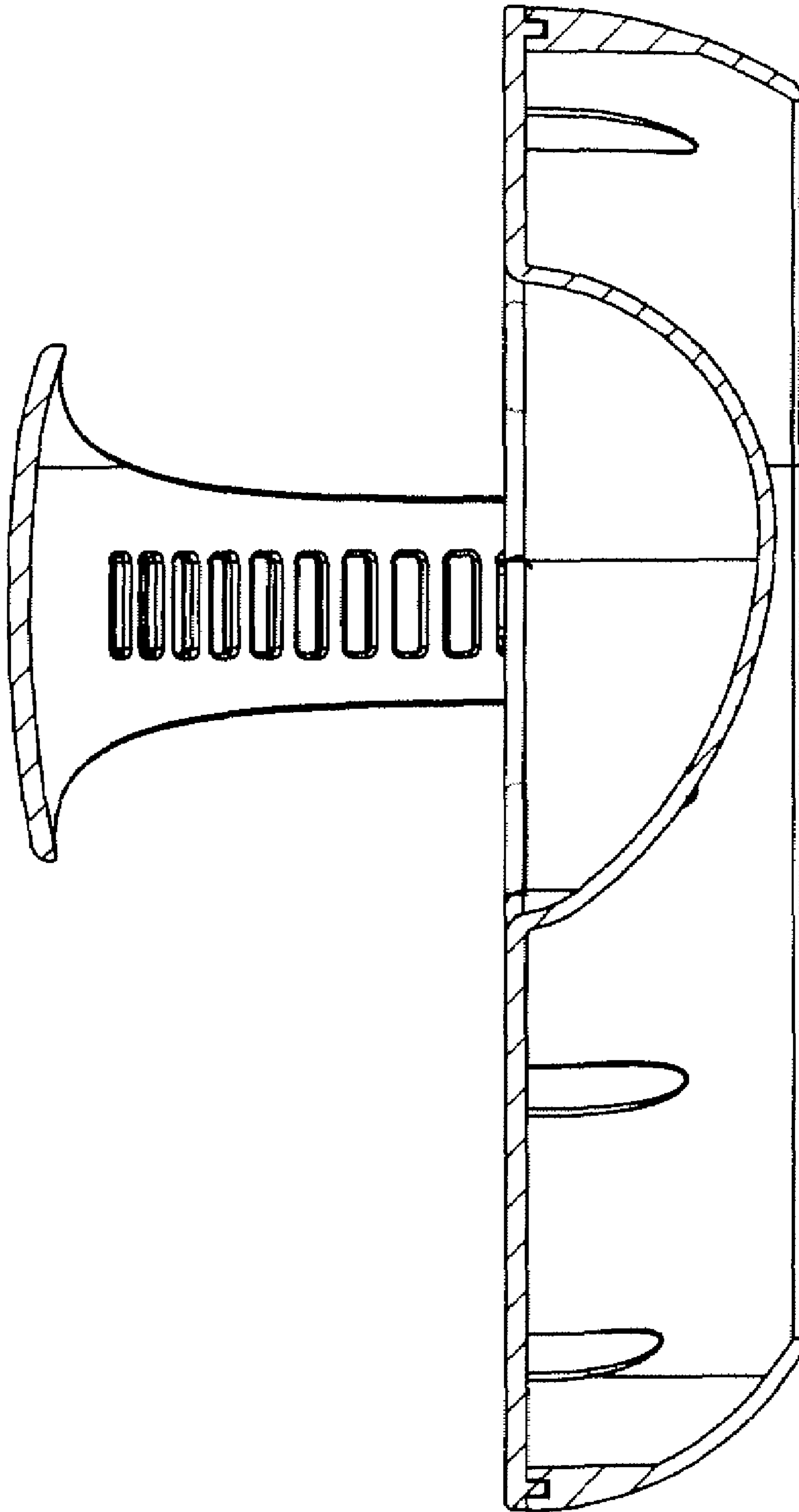


Fig 8

UNITED STATES PATENT AND TRADEMARK OFFICE
CERTIFICATE OF CORRECTION

PATENT NO. : Des. 575,993 S
APPLICATION NO. : 29/299434
DATED : September 2, 2008
INVENTOR(S) : Gary S. Seehoff

Page 1 of 2

It is certified that error appears in the above-identified patent and that said Letters Patent is hereby corrected as shown below:

The drawing sheet, consisting of Fig. 1, should be deleted to be replaced with the drawing sheet, consisting of Fig. 1, as shown on the attached page.

Signed and Sealed this

Seventeenth Day of November, 2009

A handwritten signature in black ink that reads "David J. Kappos". The signature is written in a cursive style with a large initial 'D' and 'K'.

David J. Kappos
Director of the United States Patent and Trademark Office

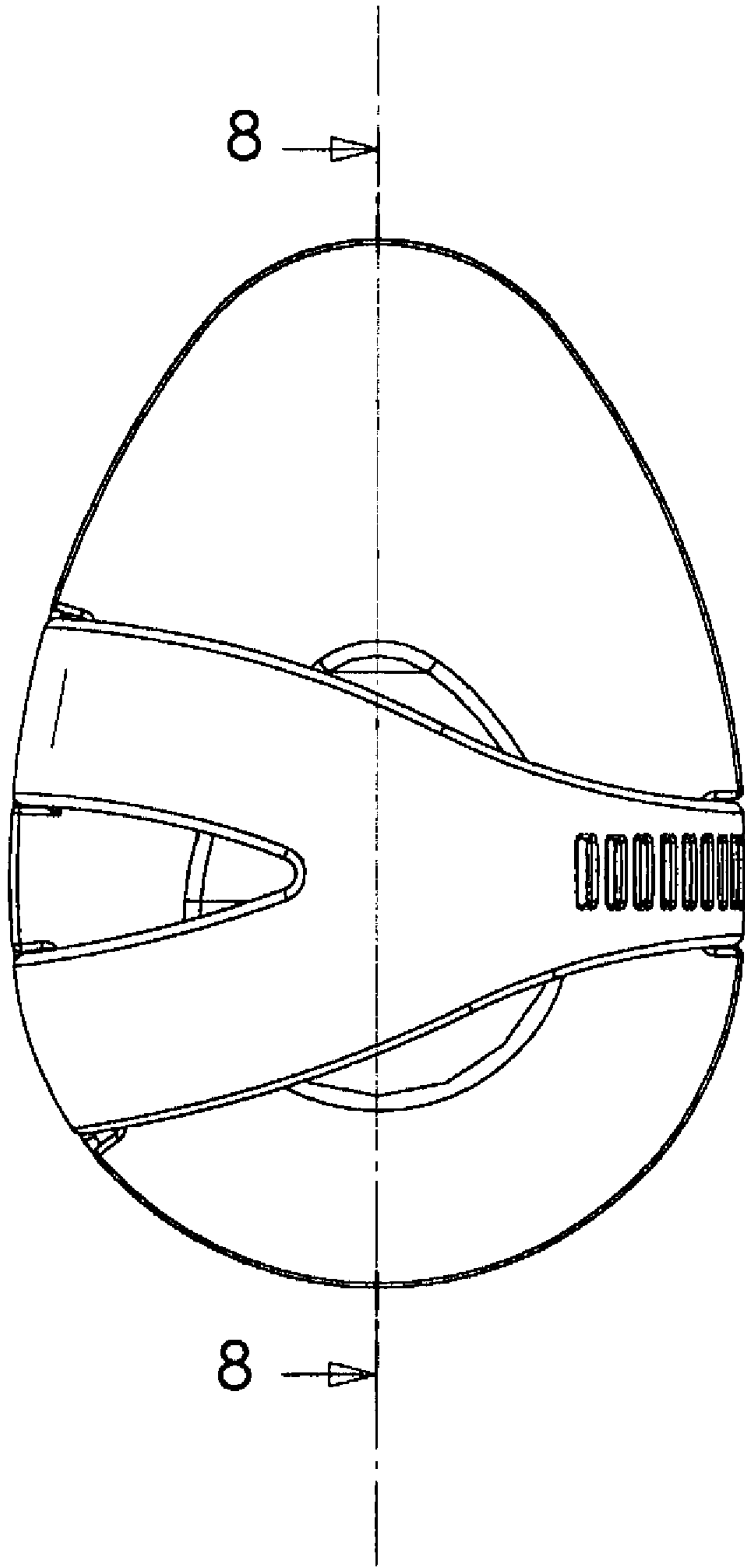


Fig 1