



US00D575992S

(12) **United States Design Patent**
LeGreve et al.

(10) **Patent No.:** **US D575,992 S**
(45) **Date of Patent:** **** Sep. 2, 2008**

- (54) **DOUBLE WALLED BOWL**
- (75) Inventors: **Mark V. LeGreve**, Two Rivers, WI (US);
Rebecca Schreiber-Pethan, Sheboygan, WI (US)
- (73) Assignee: **The Vollrath Company, L.L.C.**,
Sheboygan, WI (US)
- (**) Term: **14 Years**
- (21) Appl. No.: **29/281,457**
- (22) Filed: **Jun. 22, 2007**
- (51) **LOC (8) Cl.** **07-01**
- (52) **U.S. Cl.** **D7/586**
- (58) **Field of Classification Search** D7/550.1,
D7/554.1, 566, 570, 584-588; 220/574,
220/575

See application file for complete search history.

- (56) **References Cited**
- U.S. PATENT DOCUMENTS
- 70,427 A 11/1867 Fallows
- 184,814 A 11/1876 Adam
- D15,753 S 1/1885 Knowles et al.
- 1,093,648 A 4/1914 Potter
- D50,194 S 1/1917 Haley
- D50,398 S 2/1917 Miller
- D50,401 S 2/1917 Miller
- 1,607,864 A 11/1926 Butler
- D75,939 S 7/1928 Tennhardt
- D78,585 S 5/1929 Nock
- D81,921 S 9/1930 Dwyer
- D94,207 S 1/1935 Guild
- D94,245 S 1/1935 Sebring et al.
- D95,504 S 5/1935 Guild
- 2,050,206 A 8/1936 Chaplin
- 2,051,940 A 8/1936 Chichester-Miles

- D101,721 S 10/1936 Spinelli et al.
- D101,861 S 11/1936 Ebeling
- D103,390 S 3/1937 Connor
- D103,666 S 3/1937 Brogden
- D112,179 S 11/1938 Reinecke et al.
- D113,511 S 2/1939 Heller

(Continued)

Primary Examiner—Ian Simmons
Assistant Examiner—Anna J Burmeister
(74) *Attorney, Agent, or Firm*—Foley & Lardner LLP

(57) **CLAIM**

We claim the ornamental design for a double walled bowl, as shown and described.

DESCRIPTION

FIG. 1 is a top perspective view of Embodiment 1, showing our design for a double walled bowl;

FIG. 2 is front elevational view thereof, with the rear, right, and left elevational views being a mirror image;

FIG. 3 is a top plan view thereof, with the top plan view of Embodiment 2 being the same;

FIG. 4 is a bottom plan view thereof;

FIG. 5 is a cross-sectional view thereof taken along line 5—5 shown in FIG. 3, with the sectional view of Embodiment 2 being the same;

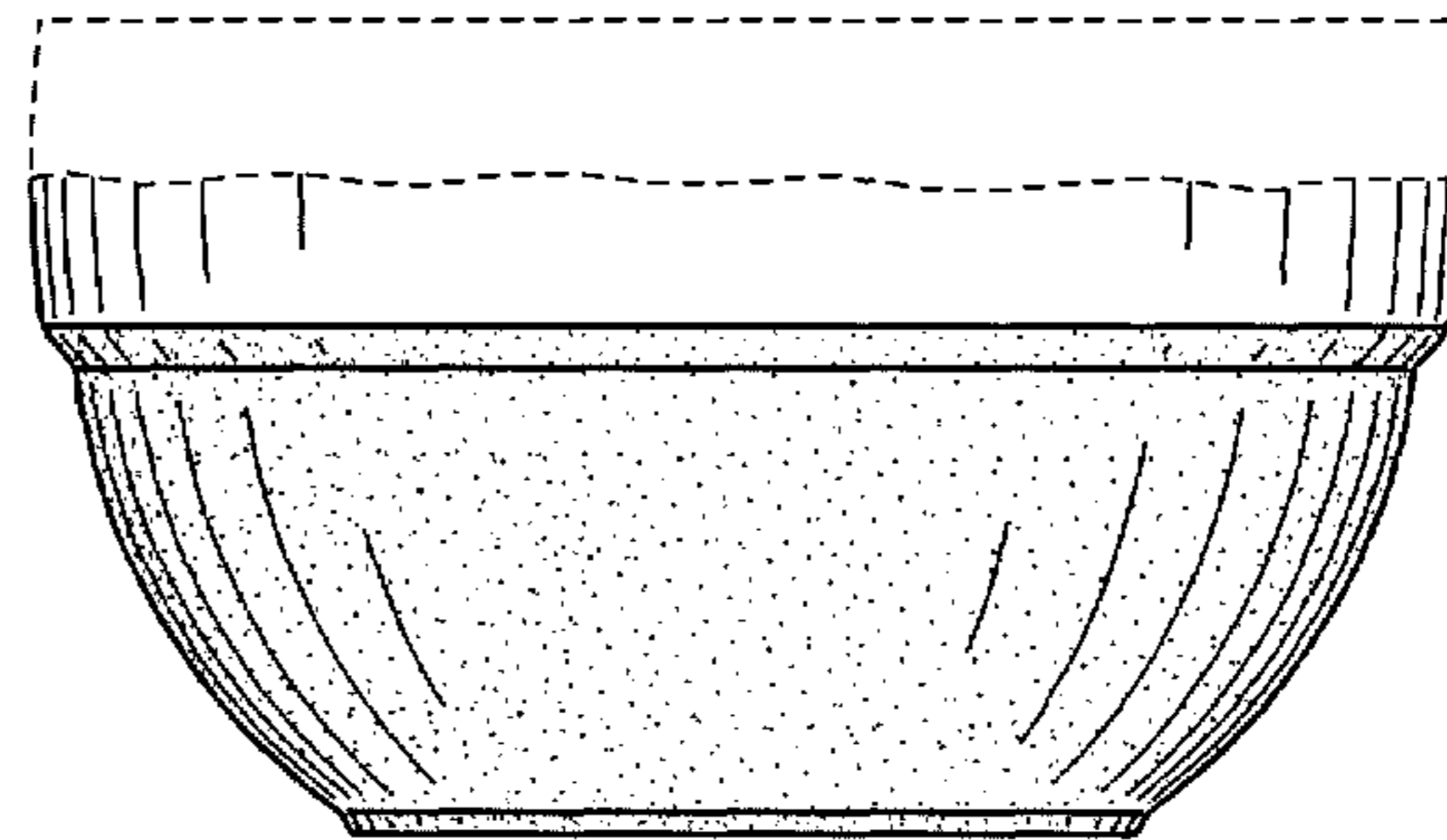
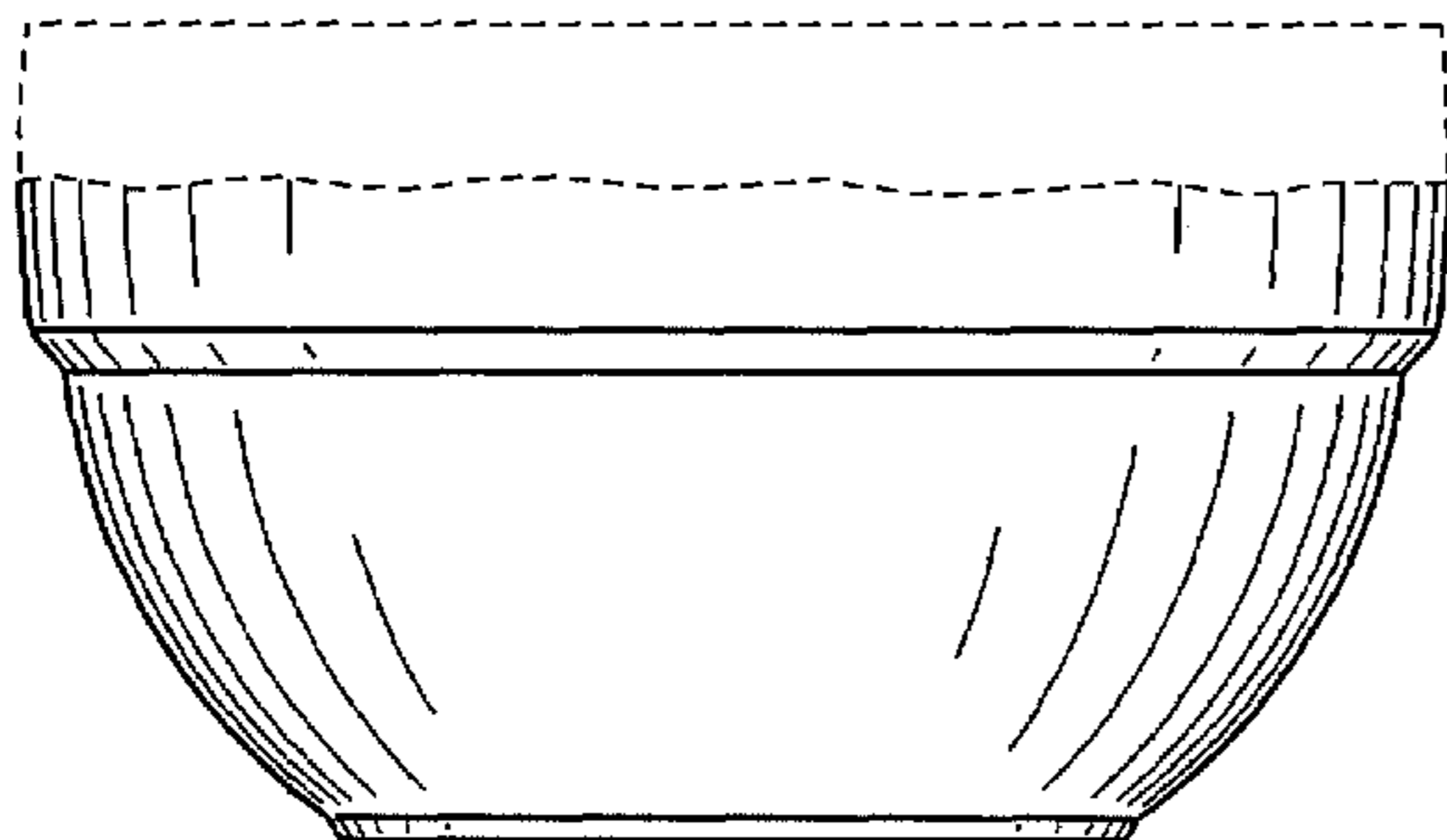
FIG. 6 is a top perspective view of Embodiment 2, showing our design for a double walled bowl;

FIG. 7 is a front elevational view thereof, with the rear, right, and left elevational views being a mirror image; and,

FIG. 8 is a bottom plan view thereof.

The broken lines in the drawings are for illustrative purposes only and form no part of the claimed design.

1 Claim, 5 Drawing Sheets



US D575,992 S

Page 2

U.S. PATENT DOCUMENTS					
D144,905 S	6/1946	Cameron	D394,513 S *	5/1998	Davis D26/6
D162,371 S	3/1951	Bauer	D406,986 S	3/1999	Lewis
D201,376 S	6/1965	Schroeder	D409,447 S	5/1999	Henry
D204,781 S	5/1966	Wanderer	D409,448 S	5/1999	Hudson et al.
D209,307 S	11/1967	Schilling	D411,288 S	6/1999	Cuttriss
D209,311 S	11/1967	Schilling	5,934,472 A	8/1999	Ramirez et al.
D214,678 S	7/1969	Weeber	D414,080 S	9/1999	Bolwien
D219,496 S	12/1970	Lebedeff	D415,933 S	11/1999	Cornelissen
D219,748 S	1/1971	Bixler	6,010,027 A *	1/2000	Fujii et al. 220/592.2
D220,846 S	6/1971	Mascetti	D424,879 S	5/2000	Biber
3,611,998 A	10/1971	Loscalzo	D428,770 S	8/2000	Wellner
3,792,809 A	2/1974	Schneider et al.	D428,771 S	8/2000	Novi
D248,269 S	6/1978	Schreckengost	D432,362 S	10/2000	Fait
D253,331 S	11/1979	Olschewski	D432,868 S	10/2000	Tan
D254,714 S	4/1980	Mascia et al.	D438,794 S	3/2001	Miles et al.
D256,756 S	9/1980	Painter et al.	D441,257 S	5/2001	Indeuku
D262,681 S	1/1982	Dawson	D442,019 S	5/2001	Wyche
D264,791 S	6/1982	Conti	D442,425 S	5/2001	Wyche
D264,792 S	6/1982	Conti	D442,831 S	5/2001	Jacobs
4,435,628 A	3/1984	Bowen et al.	D443,049 S	5/2001	Kuo
D279,445 S	7/1985	Jagger	D443,467 S	6/2001	Bradley
D285,515 S	9/1986	Papciak	D443,476 S	6/2001	Miura
D288,515 S	3/1987	Rimmeir	D456,211 S	4/2002	Price
D289,245 S	4/1987	Ritman	D457,389 S	5/2002	Snell
D289,246 S	4/1987	Ritman	D458,807 S	6/2002	Trazzi
D289,717 S	5/1987	Ritman	D459,946 S	7/2002	Willat
D291,757 S	9/1987	Ritman	6,416,828 B1 *	7/2002	Miyazaki et al. 428/34.1
4,723,681 A	2/1988	Glerum	D461,431 S	8/2002	Ciocchini
D299,106 S	12/1988	Pomroy	D471,404 S	3/2003	Gady
D314,886 S	2/1991	Zivin	D471,406 S	3/2003	Wellner
D315,658 S	3/1991	Scherer	D473,758 S	4/2003	Wilson
D316,686 S	5/1991	Tardif	D477,971 S *	8/2003	Maier-Aichen D7/584
D318,596 S	7/1991	Watts	D478,476 S	8/2003	Wellner
D321,815 S	11/1991	Bowdler	D478,477 S	8/2003	Tisdale et al.
D325,112 S	4/1992	Thompson	D480,269 S	10/2003	Currier
D327,236 S	6/1992	Weder	D481,262 S	10/2003	Tisdale et al.
5,172,826 A	12/1992	Celaya	D482,575 S *	11/2003	Mountain D7/586
D340,617 S	10/1993	Douglas	D482,967 S	12/2003	Bourque et al.
D345,716 S	4/1994	Kwiatkowski	D485,127 S	1/2004	Maier-Aichen
D345,895 S	4/1994	Jaworski	D488,352 S	4/2004	Tisdale et al.
D353,233 S	12/1994	Robles	D491,019 S	6/2004	Marsden et al.
D360,558 S	7/1995	Appleman	D494,062 S	8/2004	Willis
D362,155 S	9/1995	Yee	D494,419 S	8/2004	Armer
D362,594 S	9/1995	McEntee	D495,564 S	9/2004	Bodum
D367,413 S	2/1996	Ballin	D496,211 S	9/2004	Netter
D371,939 S	7/1996	Rigney	D511,437 S	11/2005	Brown
5,626,256 A	5/1997	Onneweer	D521,130 S	5/2006	Mayer
D381,934 S	8/1997	Weder et al.	D524,430 S	7/2006	Rodriguez
D383,646 S *	9/1997	Jeppesen et al. D7/584	D525,532 S	7/2006	Glass
D385,749 S	11/1997	Ebrahim et al.	D527,942 S	9/2006	Czebiniak
D389,061 S	1/1998	Ebrahim et al.	D539,094 S	3/2007	Wasserman et al.
5,706,980 A	1/1998	Dickerson	D565,356 S *	4/2008	Mellen et al. D7/586
D394,188 S *	5/1998	Reynaert et al. D7/584			

* cited by examiner

FIG. 1

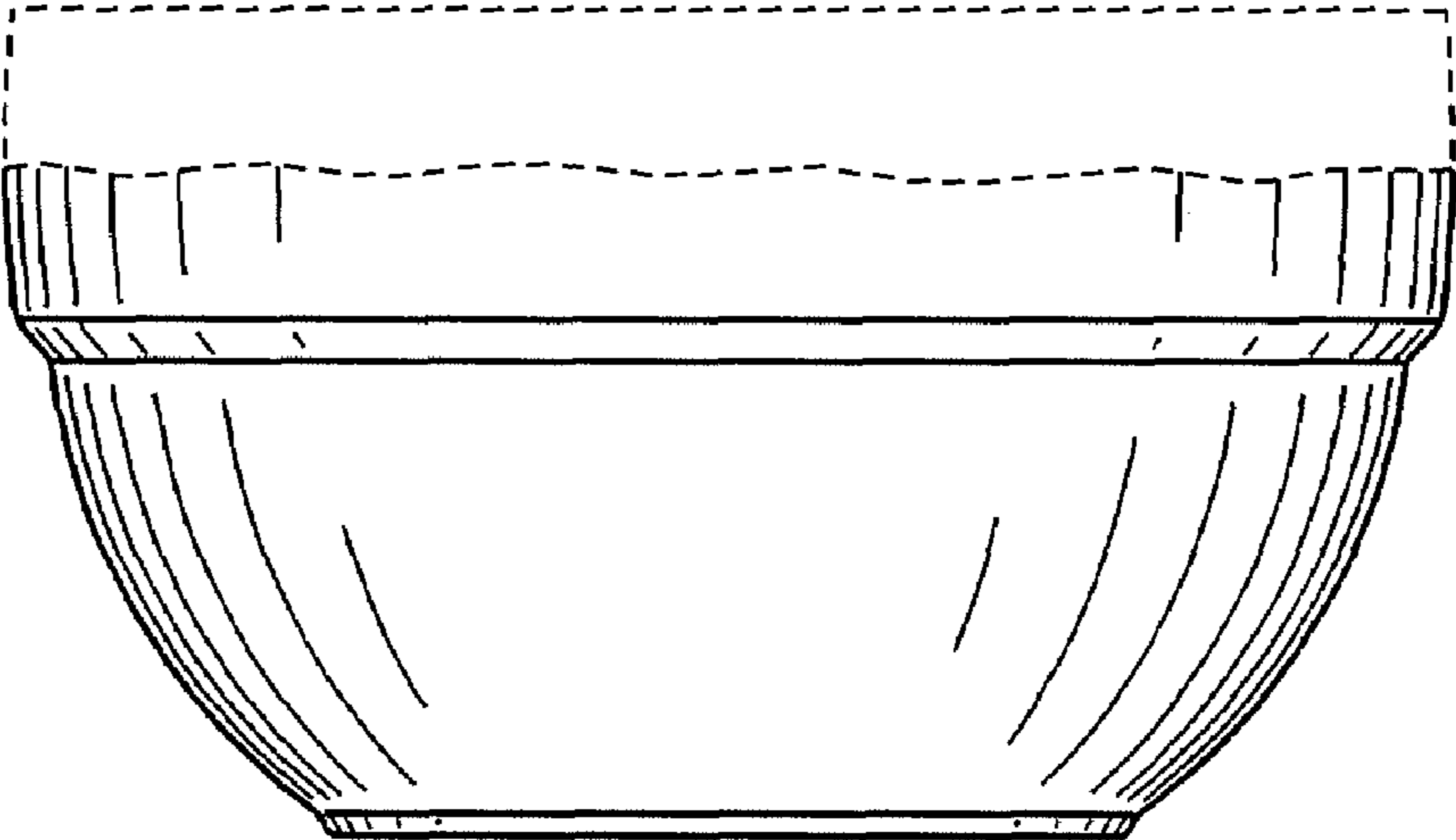
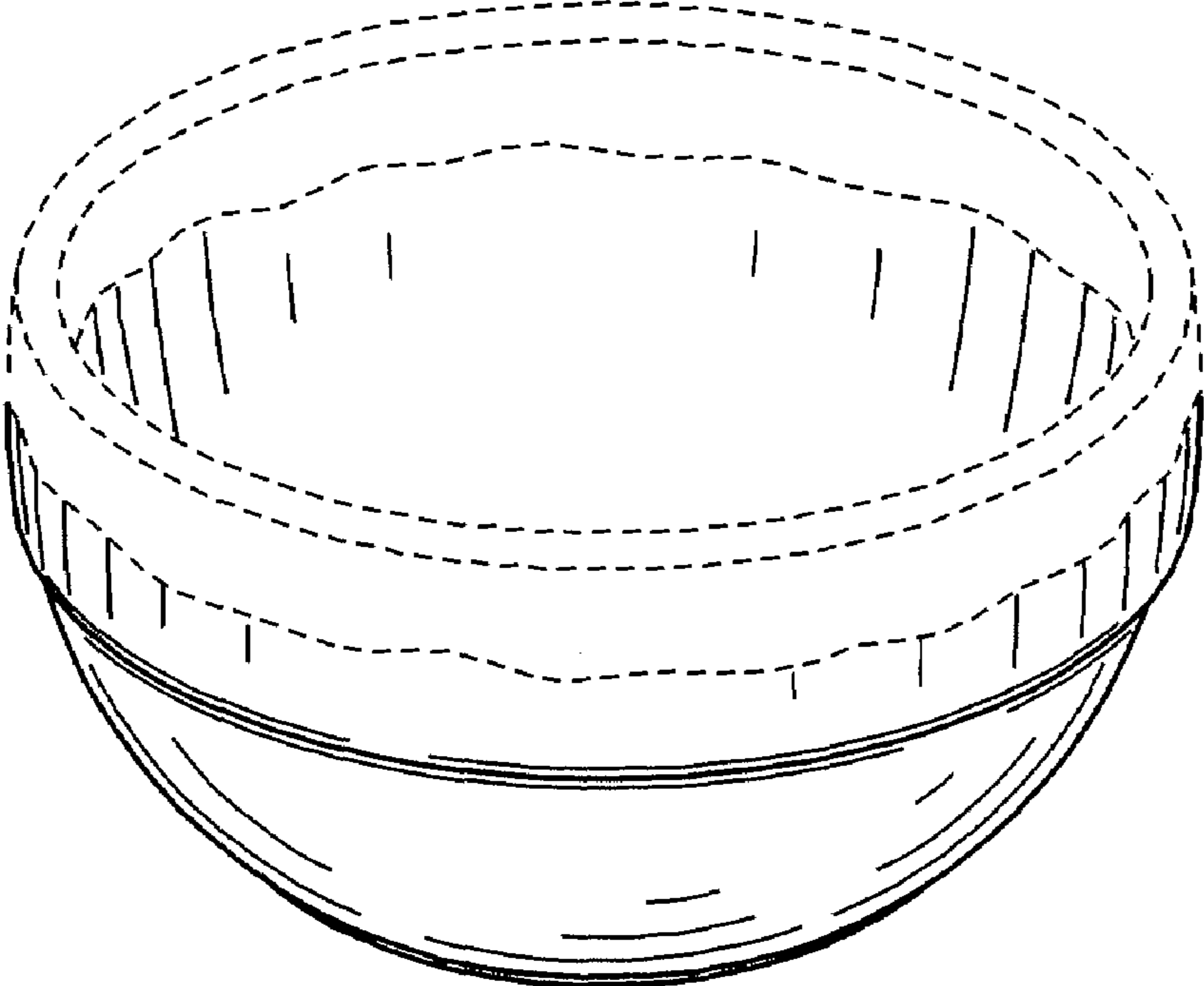


FIG. 2

FIG. 3

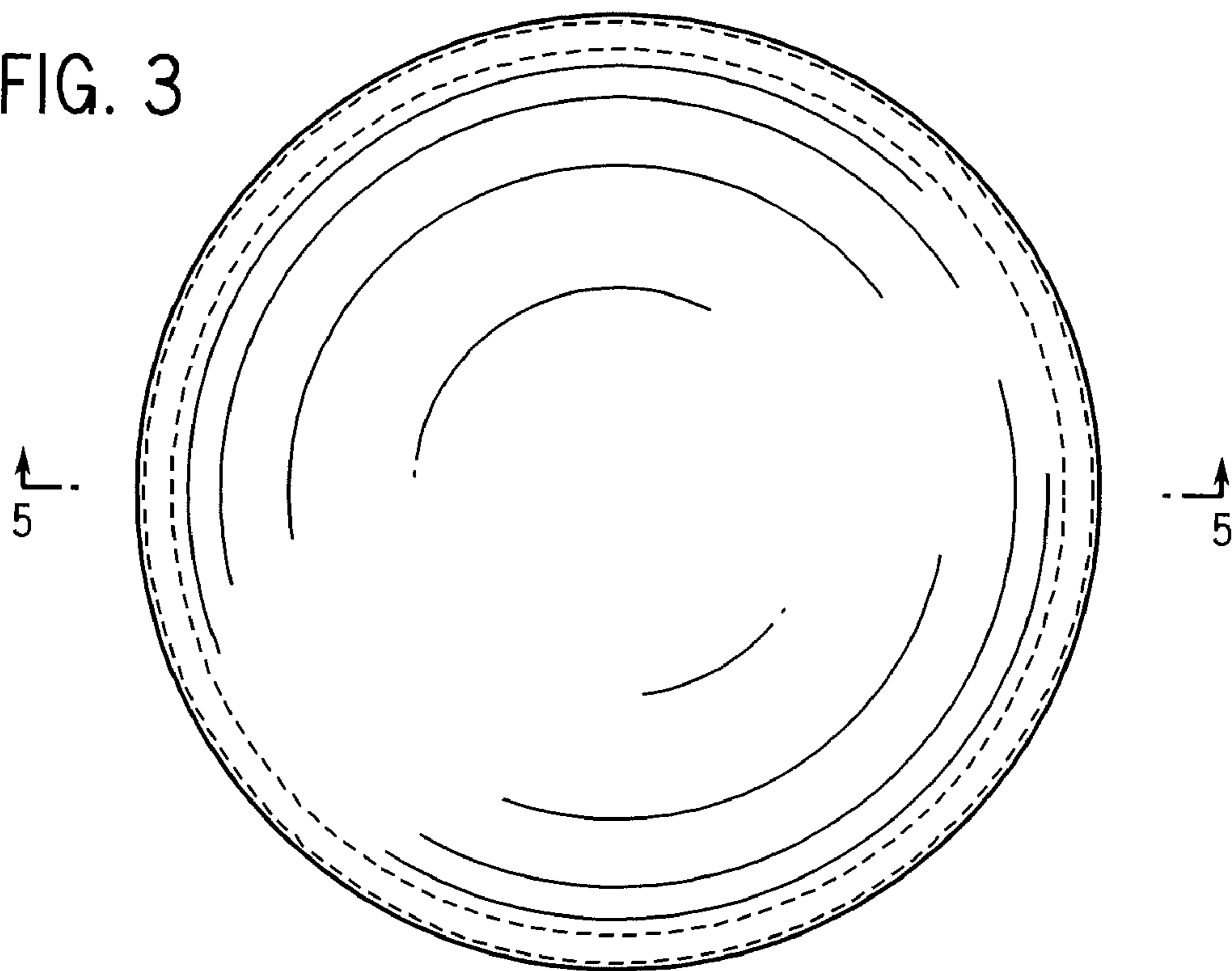
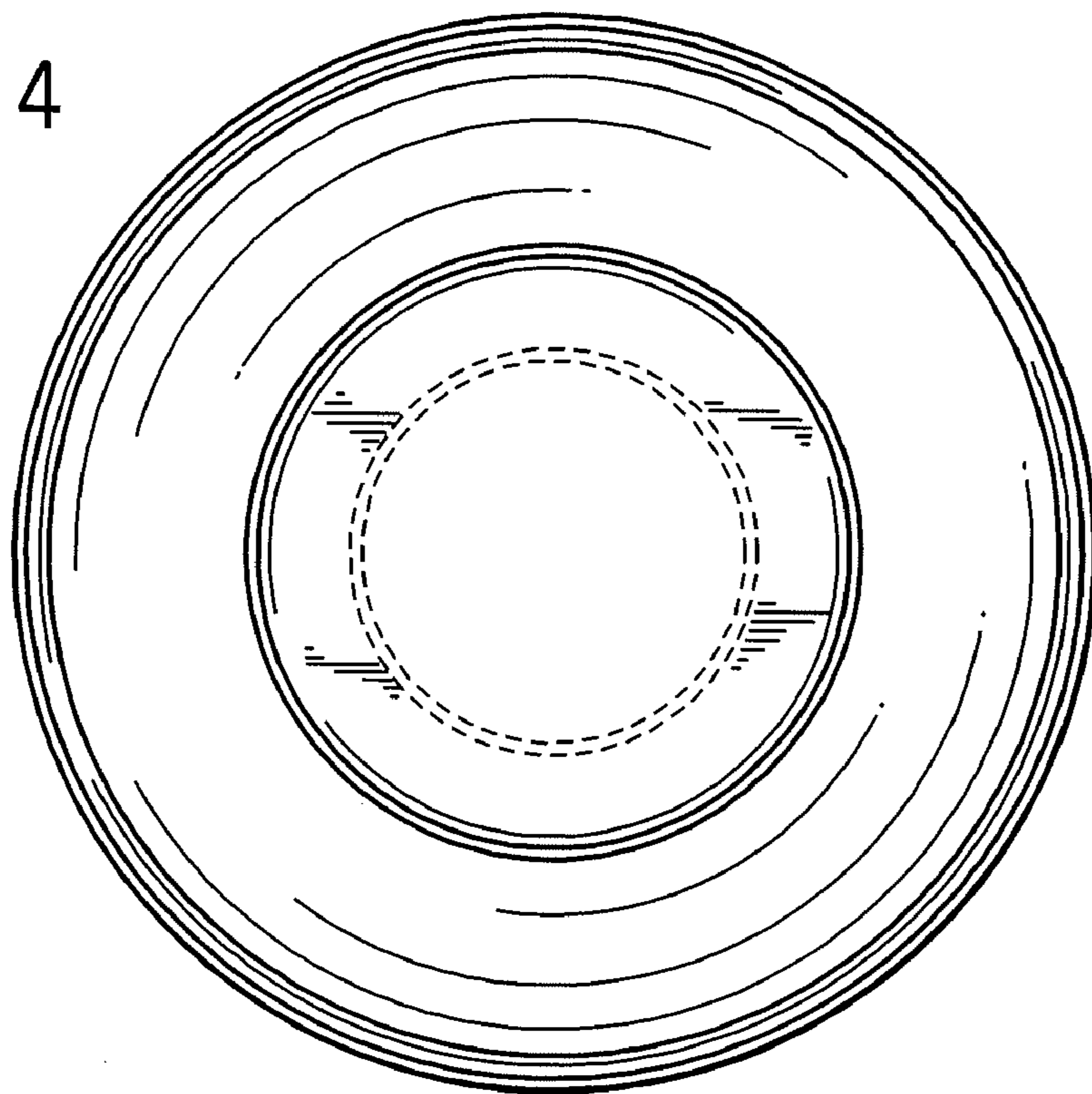


FIG. 4



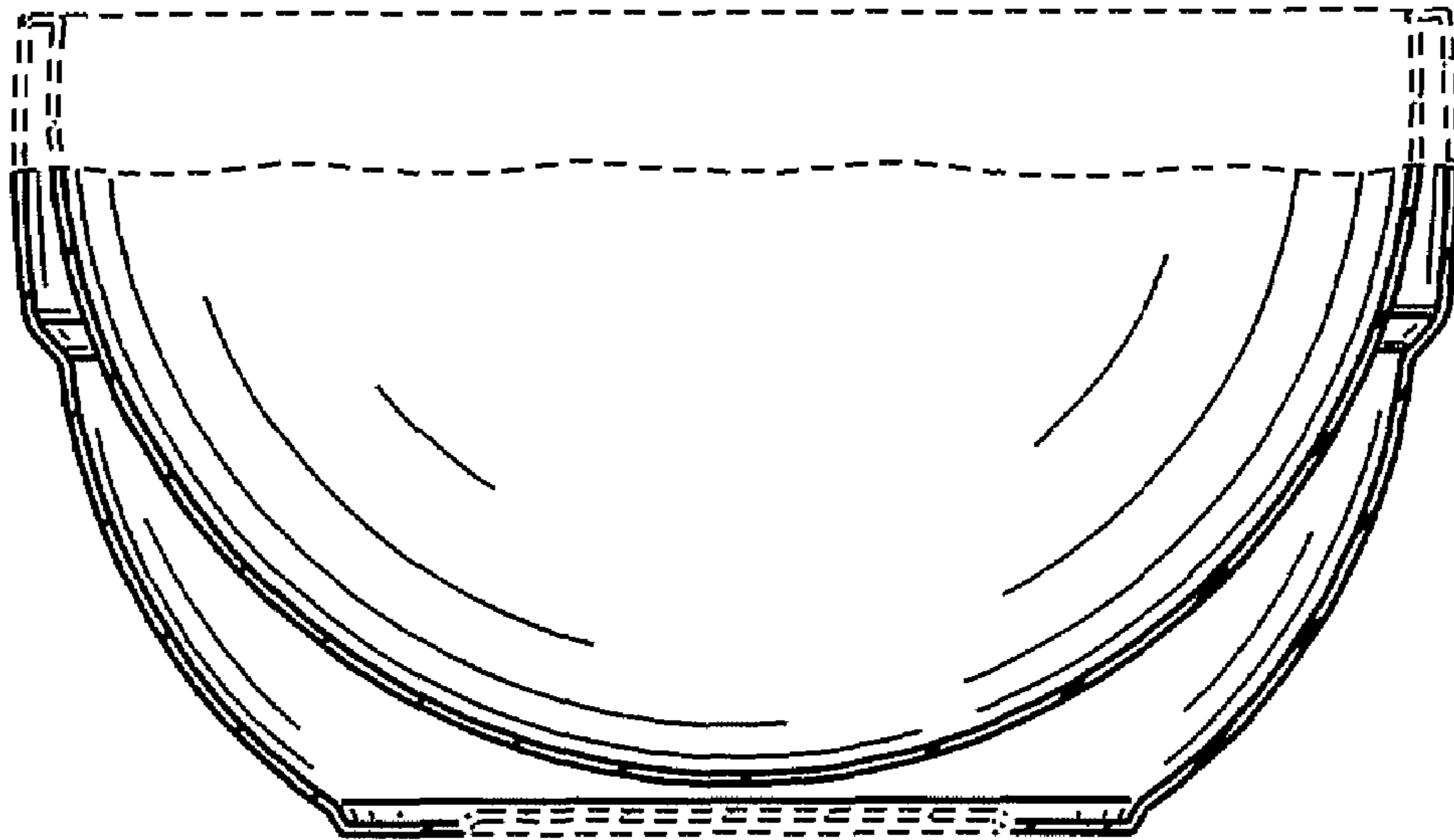


FIG. 5

FIG. 6

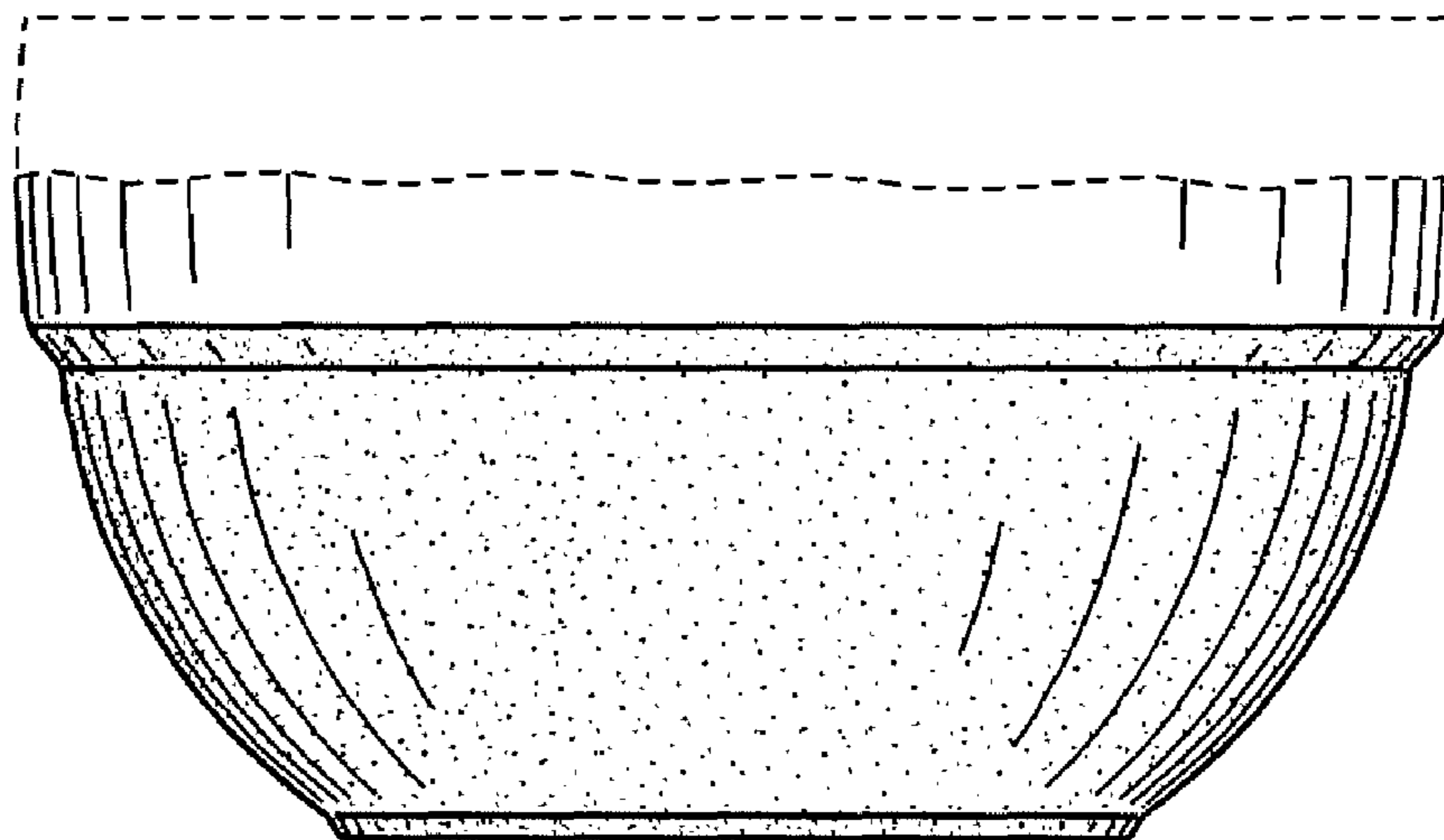
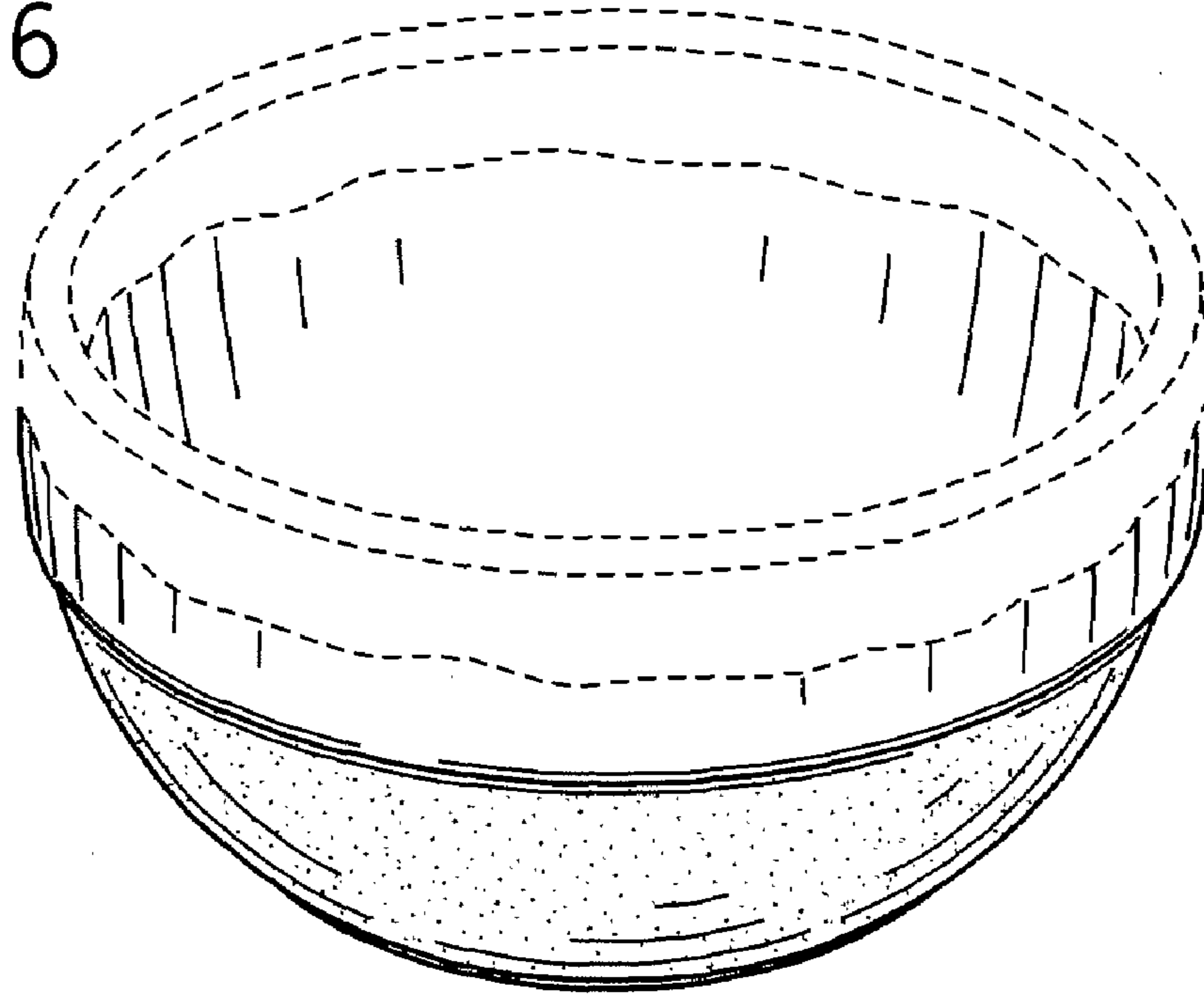


FIG. 7

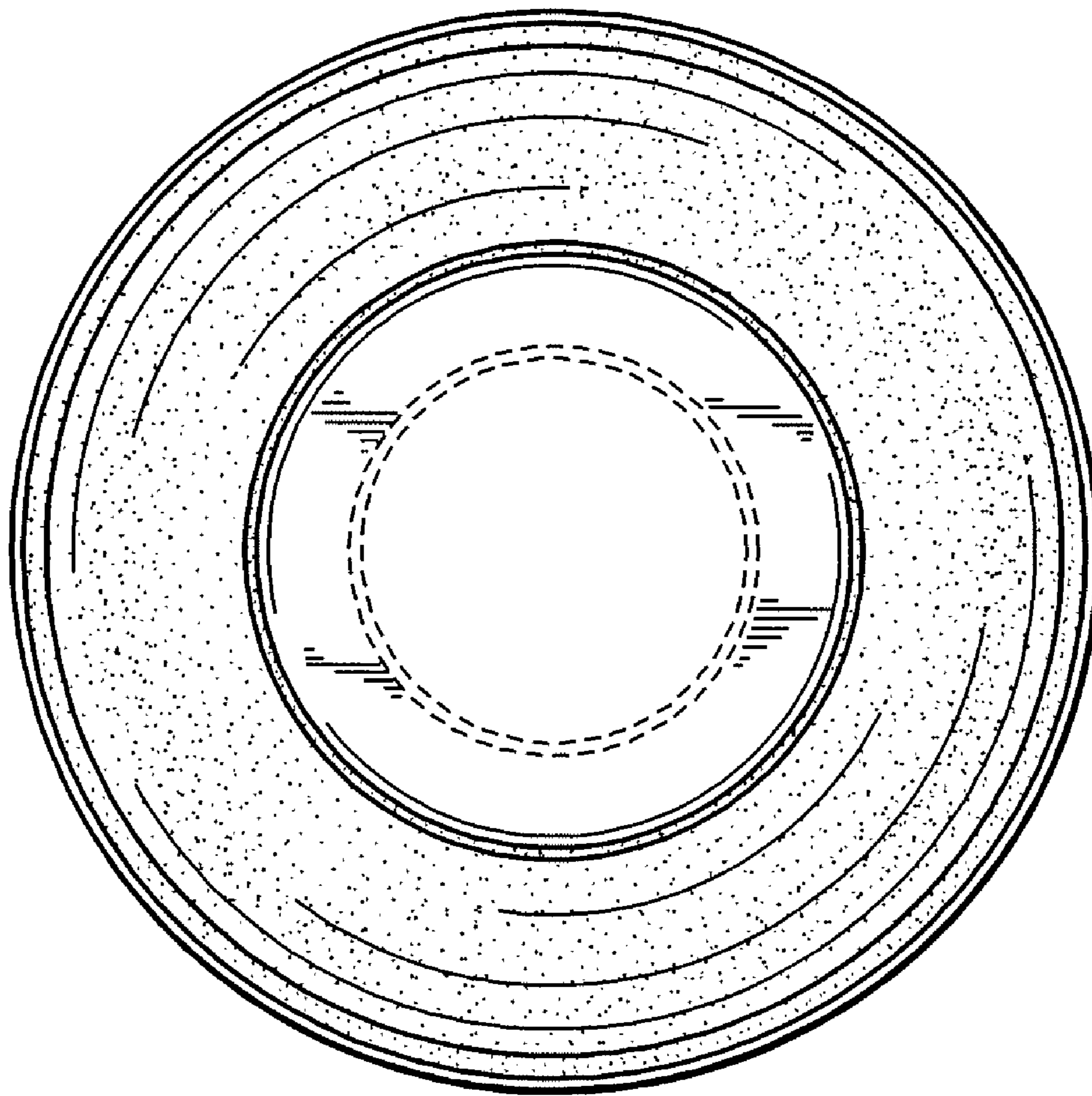


FIG. 8