



US00D575989S

(12) **United States Design Patent**  
**McFarland**

(10) **Patent No.:** **US D575,989 S**

(45) **Date of Patent:** **\*\* Sep. 2, 2008**

(54) **FOOD SERVICE TRAY**

(75) Inventor: **David Bruce McFarland**, Attalla, AL  
(US)

(73) Assignee: **Gadsden Coffee Company, Inc.**,  
Attalla, AL (US)

(\*\*) Term: **14 Years**

(21) Appl. No.: **29/273,578**

(22) Filed: **Mar. 8, 2007**

(51) **LOC (8) Cl.** ..... **07-02**

(52) **U.S. Cl.** ..... **D7/554.3**

(58) **Field of Classification Search** ..... D7/505,  
D7/507, 550.1, 554.3, 543, 553.3, 562, 535,  
D7/552.2; D30/129; D26/121; 220/574,  
220/575, 657, 506; 206/564, 557; 229/938;  
211/14; 294/172; D14/157; 108/42, 43,  
108/50.16, 166, 167, 136, 143; D6/406.3-406.6  
See application file for complete search history.

(56) **References Cited**

**U.S. PATENT DOCUMENTS**

2,878,932 A	3/1959	Martire	
D213,575 S *	3/1969	Rubin	D7/545
D262,104 S	12/1981	Simpson	
D282,042 S *	1/1986	Gallagher	D7/554.3
D316,210 S	4/1991	Giugiaro	
5,678,694 A	10/1997	Tanaka et al.	

6,010,005 A *	1/2000	Reames et al.	206/557
6,050,200 A *	4/2000	Sullins et al.	108/43
D434,606 S *	12/2000	Reames et al.	D7/554.3
D451,347 S *	12/2001	Kleckauskas et al.	D7/554.3
D472,767 S *	4/2003	Gebhardt et al.	D7/552.1
6,796,249 B1	9/2004	Hiras	
6,814,235 B2	11/2004	Wang	
D526,851 S	8/2006	Groff et al.	
2002/0000442 A1	1/2002	Howard et al.	
2003/0080014 A1	5/2003	Ridgeway et al.	

\* cited by examiner

*Primary Examiner*—Charles A Rademaker

(74) *Attorney, Agent, or Firm*—Brian D. Smith, P.C.

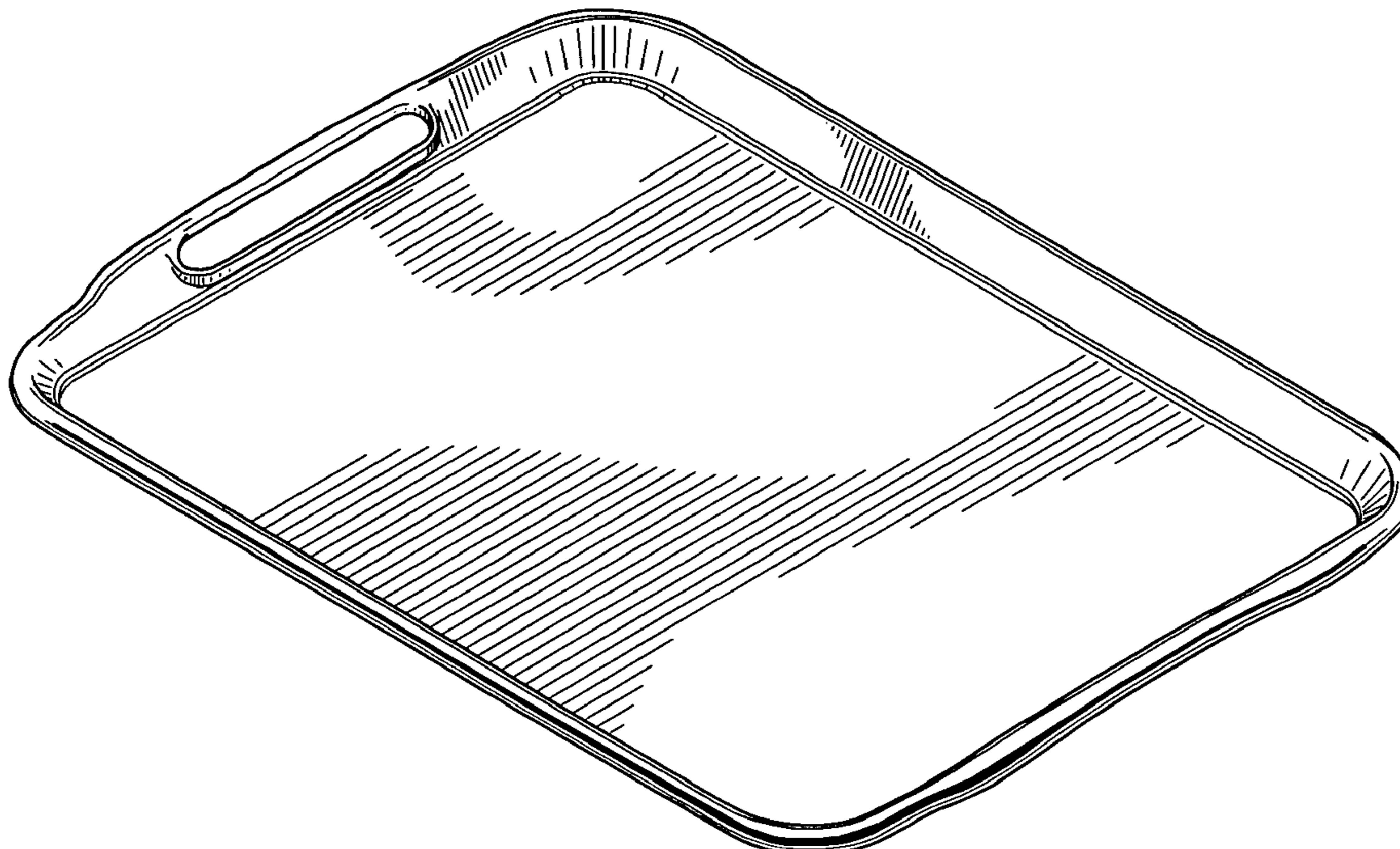
(57) **CLAIM**

The ornamental design for a food service tray, as shown and described.

**DESCRIPTION**

FIG. 1 is a perspective view of a food service tray, showing my new design;  
FIG. 2 is a front elevational view of the design of FIG. 1;  
FIG. 3 is a rear elevational view of the design of FIG. 1;  
FIG. 4 is a left side elevational view of the design of FIG. 1;  
FIG. 5 is a right side elevational view of the design of FIG. 1;  
FIG. 6 is a top plan view of the design of FIG. 1; and,  
FIG. 7 is a bottom plan view of the design of FIG. 1.

**1 Claim, 3 Drawing Sheets**



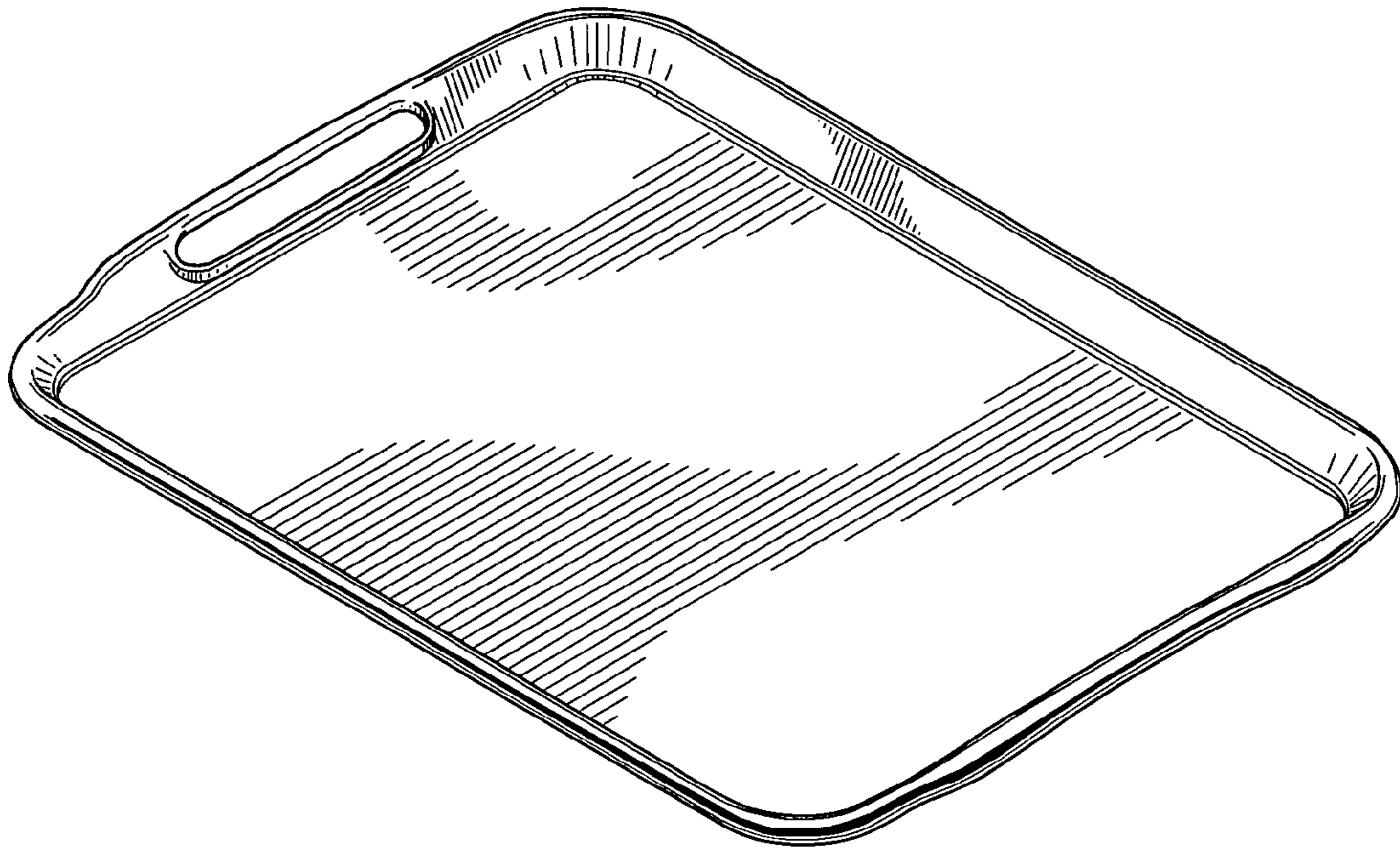


FIG. 1

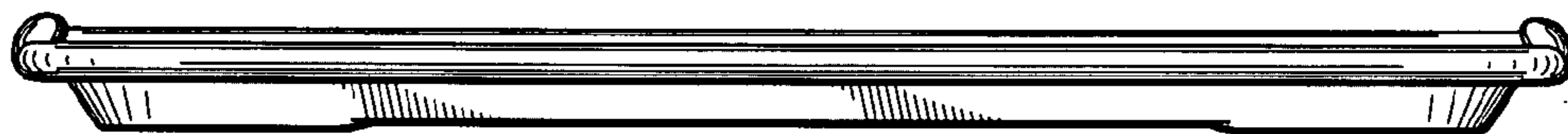
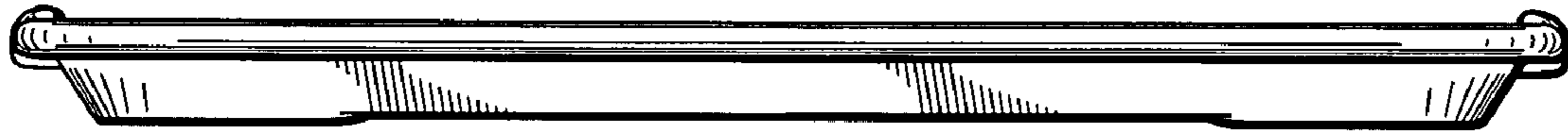
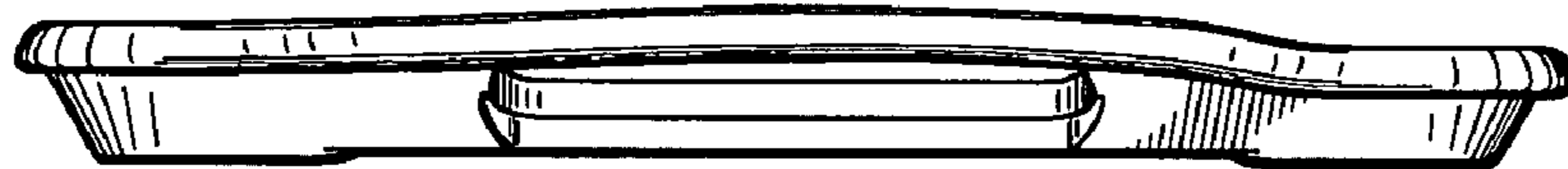


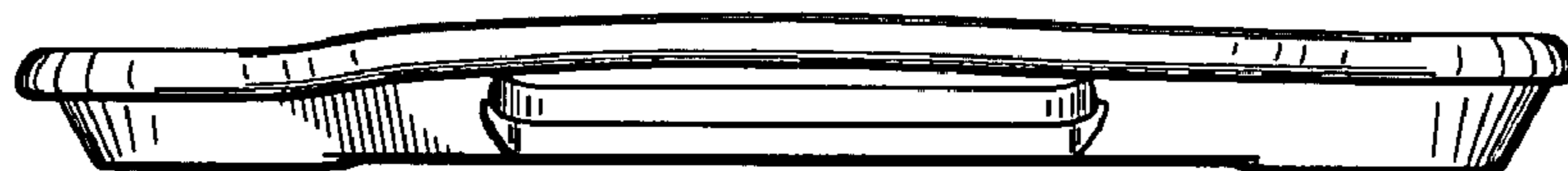
FIG. 2



*FIG. 3*



*FIG. 4*



*FIG. 5*

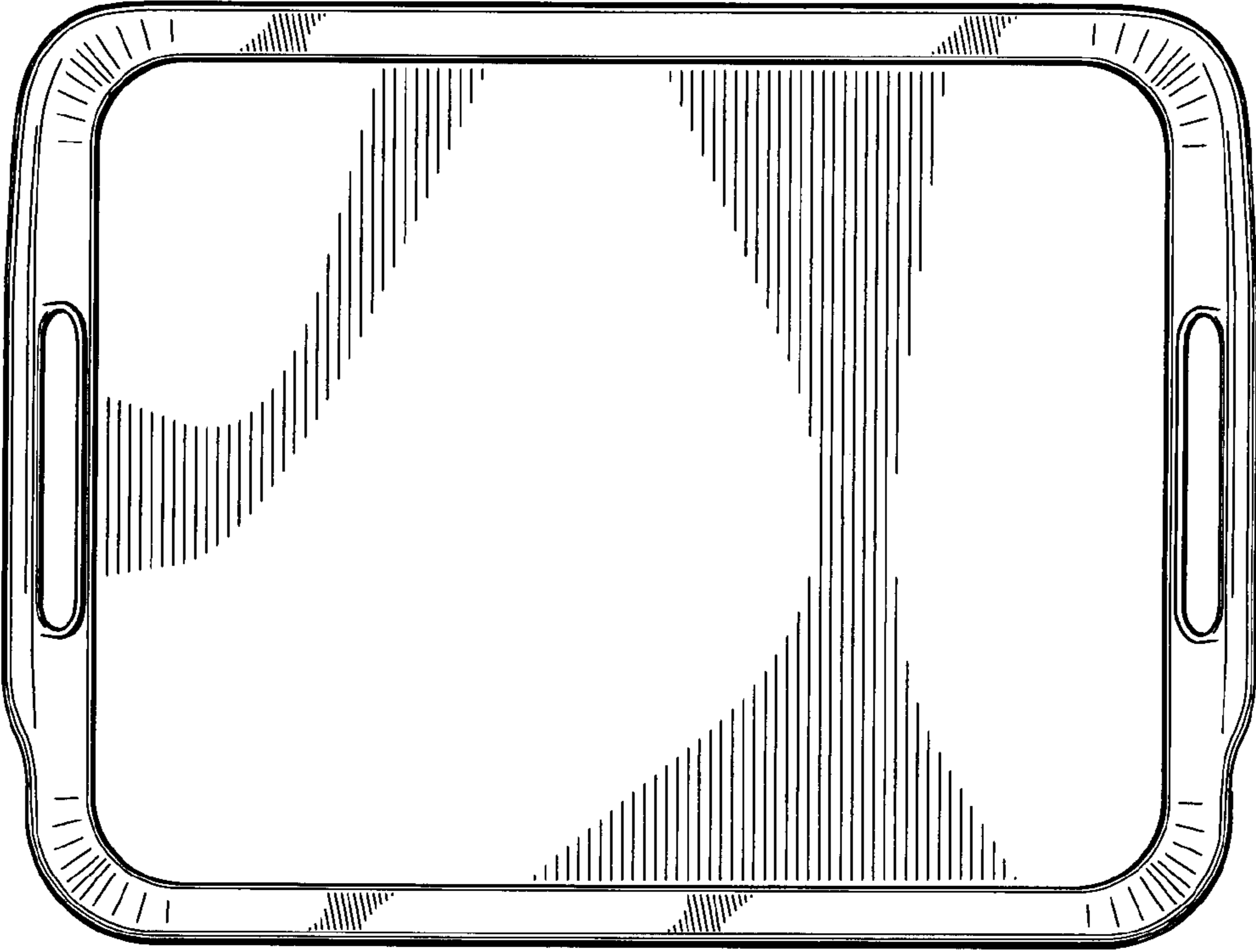


FIG. 6

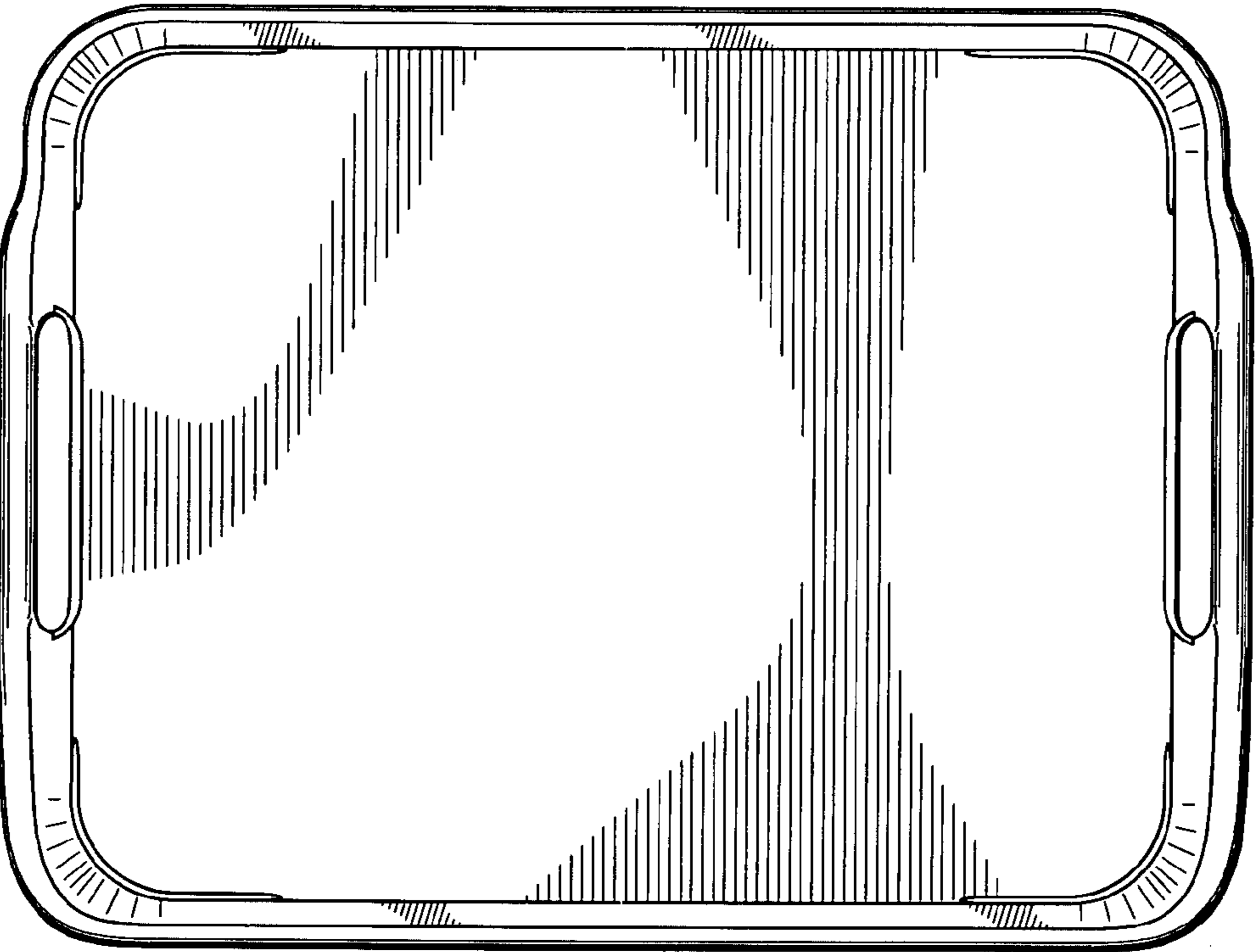


FIG. 7