



US00D575986S

(12) **United States Design Patent**
Cetera

(10) **Patent No.:** **US D575,986 S**
(45) **Date of Patent:** **** Sep. 2, 2008**

(54) **ROTATABLE COFFEE CADDY AND DISPENSER**

(75) Inventor: **Carl Cetera**, Tenafly, NJ (US)

(73) Assignee: **Cotapaxi Custom Design and Manufacturing, LLC**, Carlstadt, NJ (US)

(**) Term: **14 Years**

(21) Appl. No.: **29/306,889**

(22) Filed: **Apr. 17, 2008**

(51) **LOC (8) Cl.** **07-01**

(52) **U.S. Cl.** **D7/501; D7/553.6**

(58) **Field of Classification Search** D7/553.4,
D7/553.6, 554.2, 555, 558, 554.1, 590, 600.2,
D7/501, 701; D9/737; D19/65, 95, 85, 77,
D19/75, 100; 211/60.1; 40/107; 220/574.575;
206/562, 558, 564

See application file for complete search history.

(56) **References Cited**

U.S. PATENT DOCUMENTS

578,589	A *	3/1897	Vernon	40/358
2,719,413	A *	10/1955	Panzer	220/575
D285,157	S *	8/1986	Wan	D7/501
D304,658	S *	11/1989	Mattei	D7/505
D340,071	S *	10/1993	Sun	D19/77
D377,807	S *	2/1997	Green et al.	D19/77

D407,753	S *	4/1999	Kwok	D19/77
5,960,982	A *	10/1999	Perlis et al.	220/574
D432,577	S *	10/2000	Yeh	D19/77
D432,916	S *	10/2000	Drinkwater et al.	D9/447
D444,676	S *	7/2001	Murphy	D7/553.6
D523,185	S *	6/2006	Oliphant	D30/130
D566,770	S *	4/2008	Cetera	D19/77

OTHER PUBLICATIONS

U.S. Appl. No. 11/967,932, Carl Cetera.

* cited by examiner

Primary Examiner—Gary D. Watson

Assistant Examiner—Cynthia Underwood

(74) *Attorney, Agent, or Firm*—The Soni Law Firm

(57) **CLAIM**

The ornamental design for a rotatable coffee caddy and dispenser, as shown and described.

DESCRIPTION

FIG. 1 is a front side perspective view of the rotatable coffee caddy and dispenser showing my new design;

FIG. 2 is a top plan view thereof;

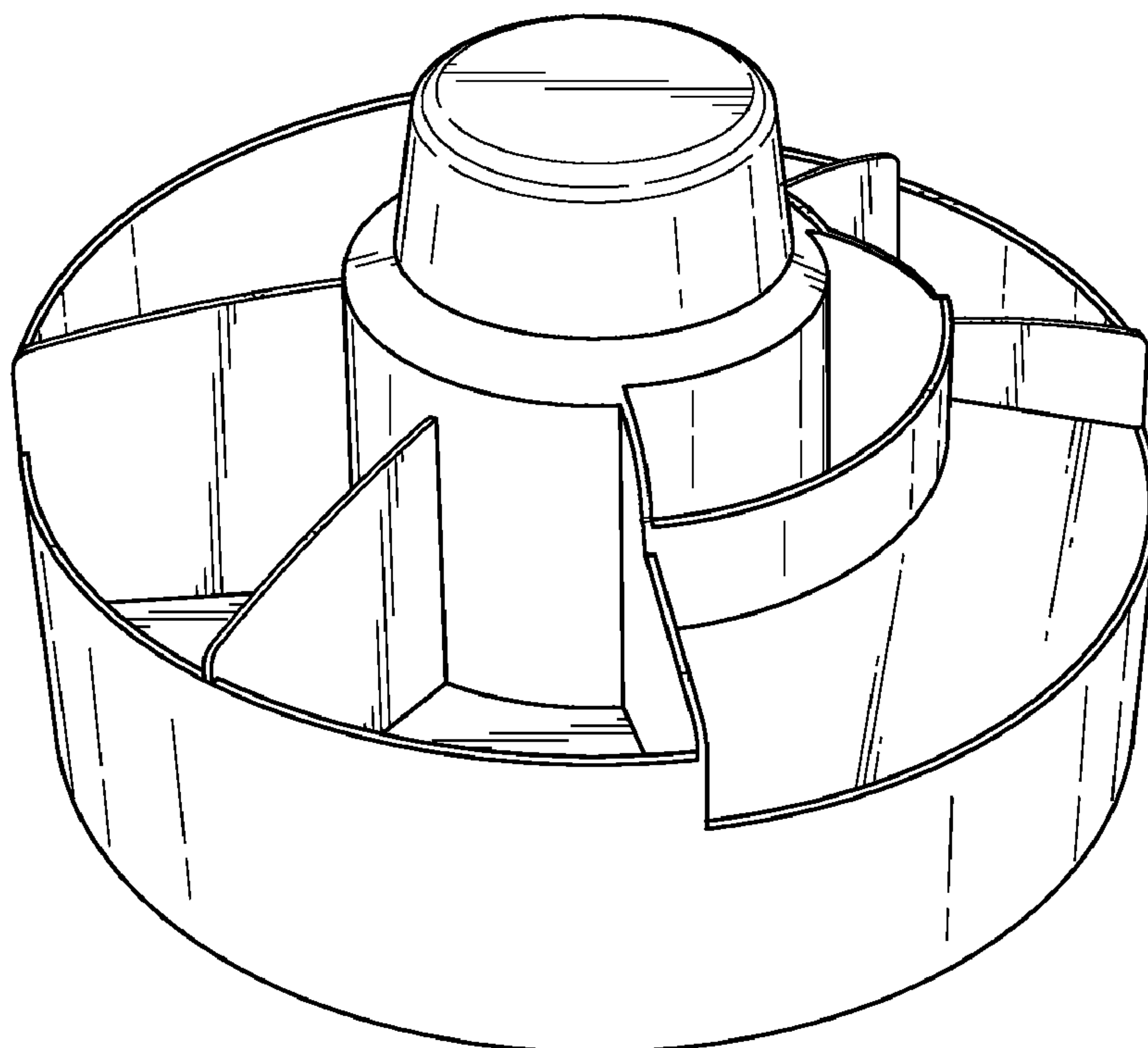
FIG. 3 is a front elevational view thereof;

FIG. 4 is a right side view thereof;

FIG. 5 is a left side view thereof; and,

FIG. 6 is a bottom plan view thereof.

1 Claim, 3 Drawing Sheets



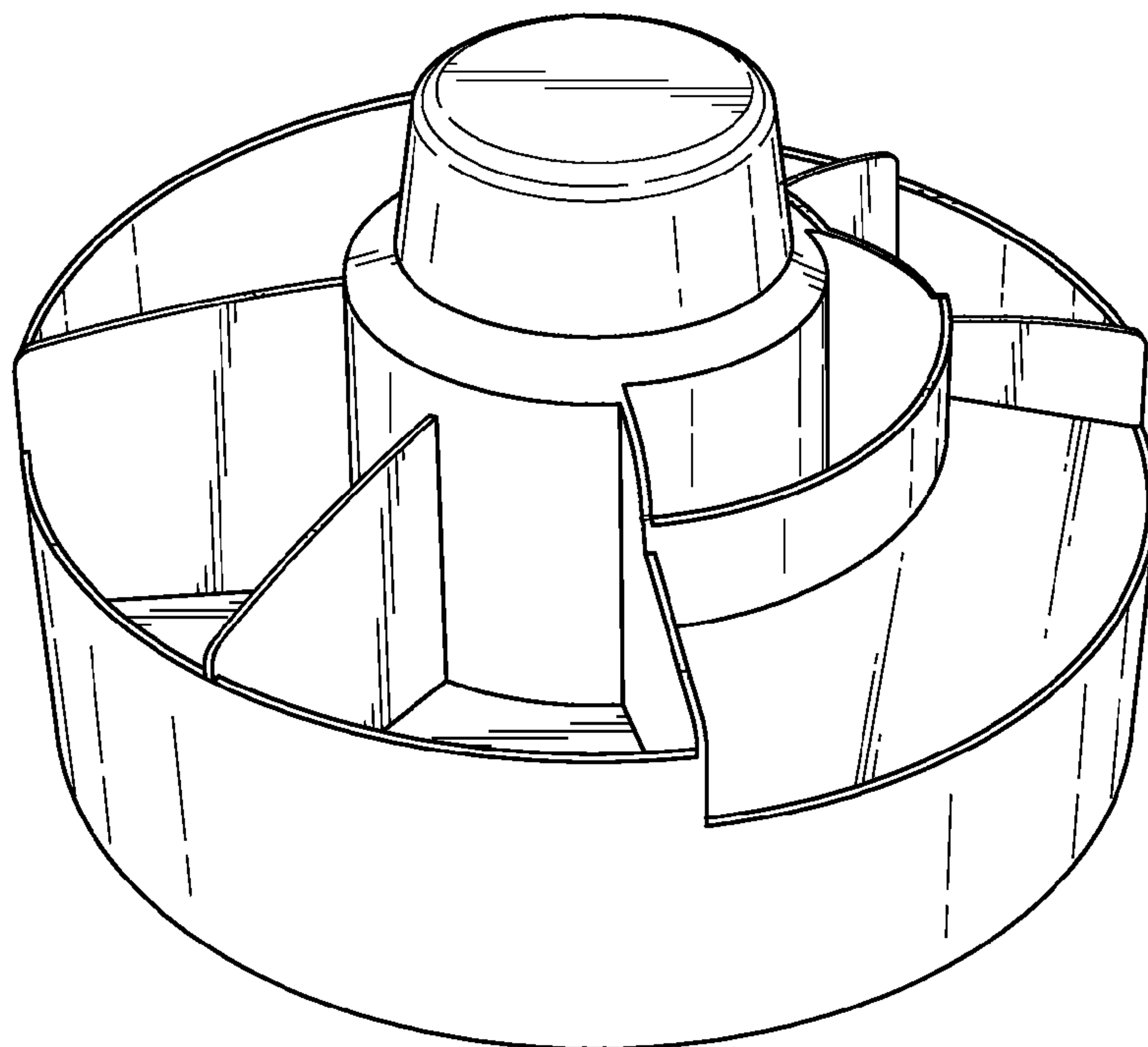


FIG. 1

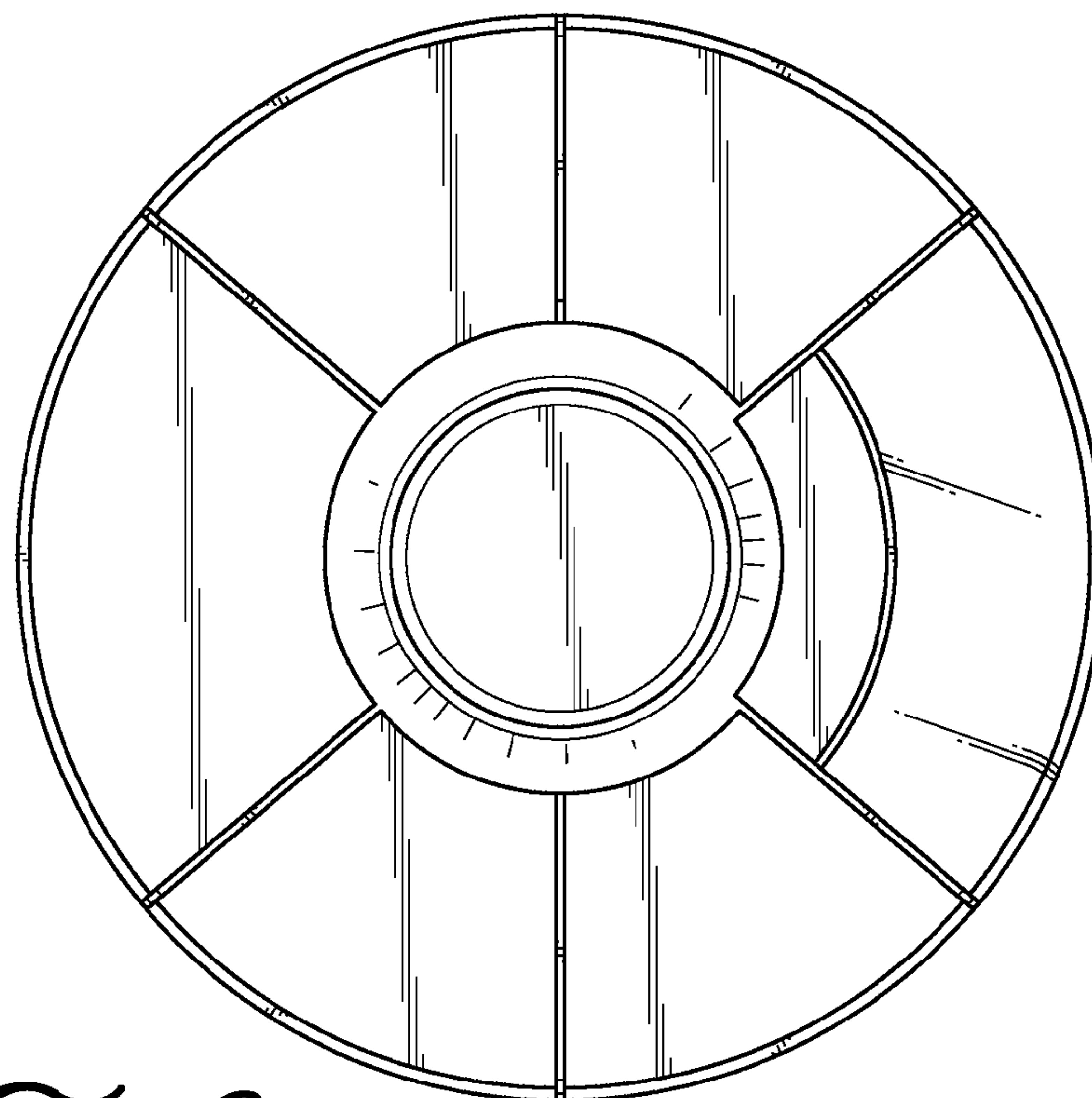


FIG. 2

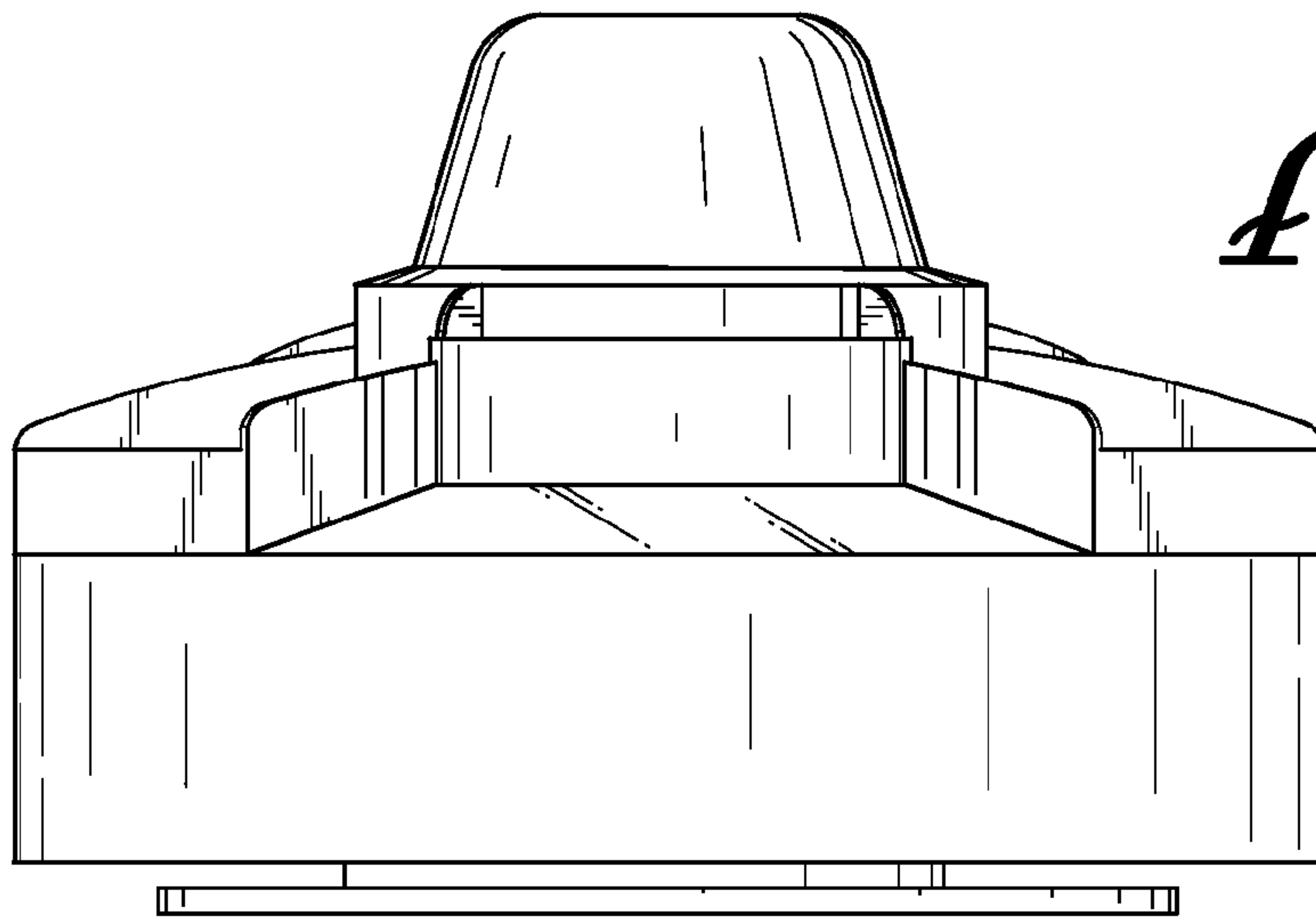


FIG. 3

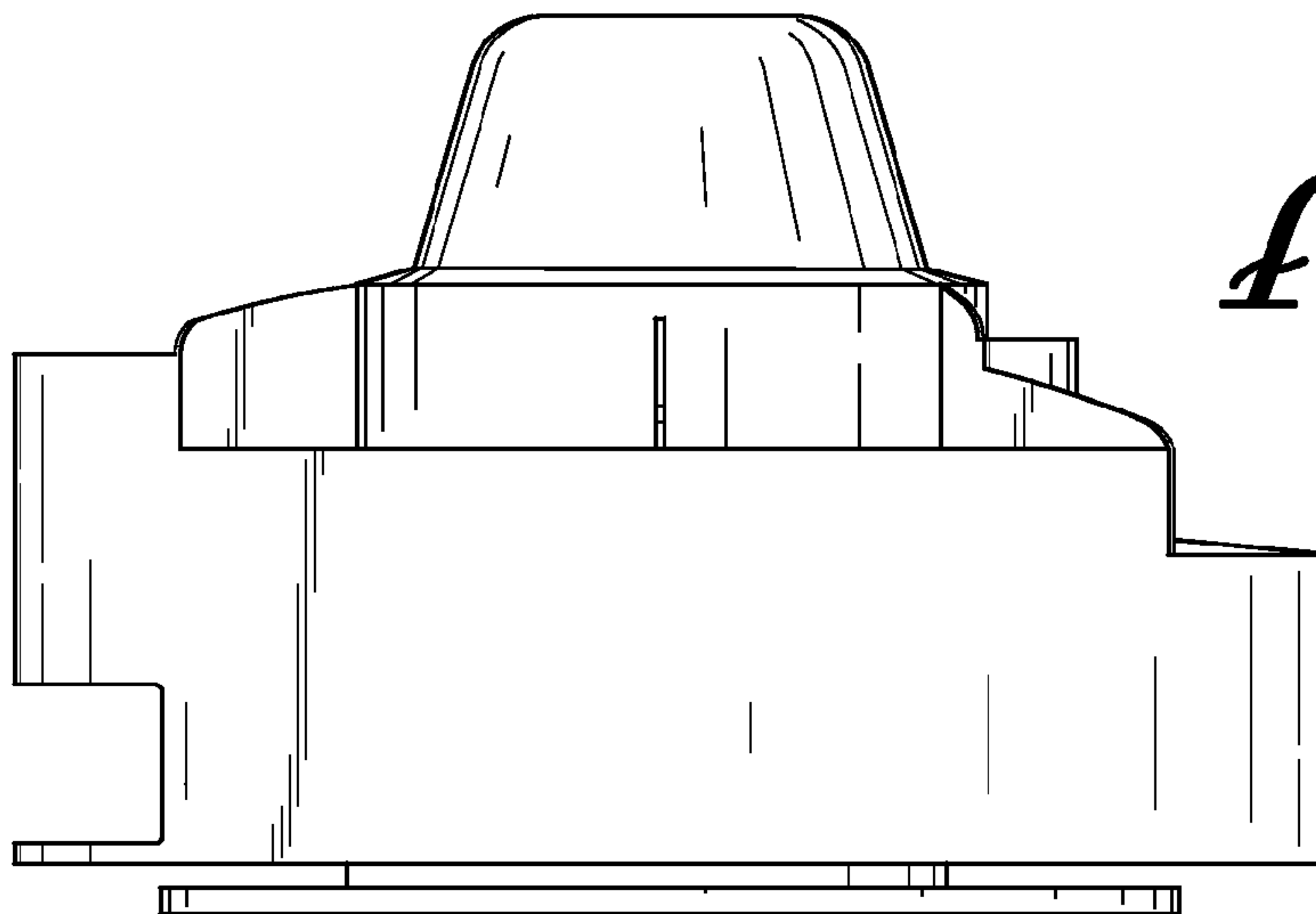


FIG. 4

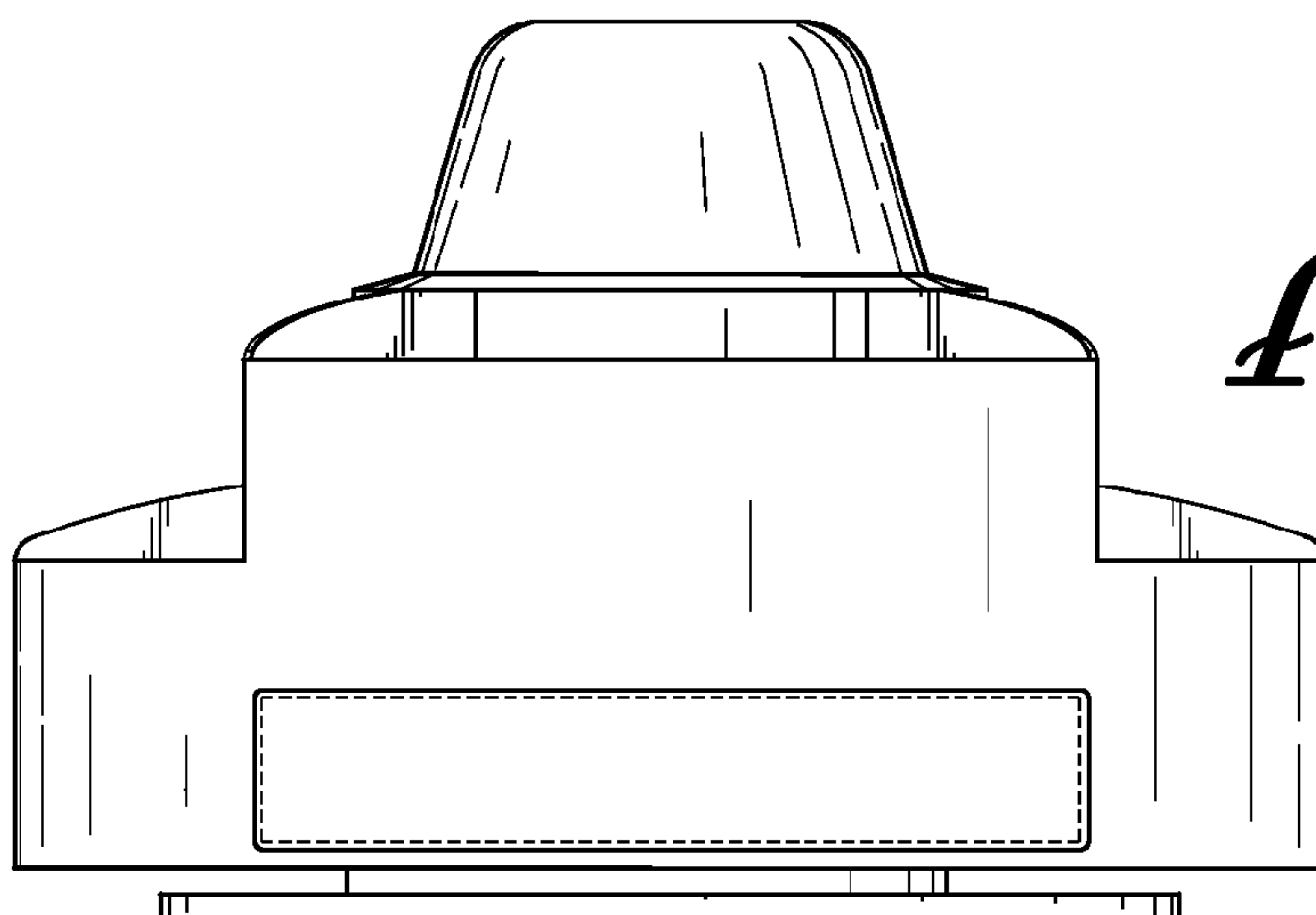


FIG. 5

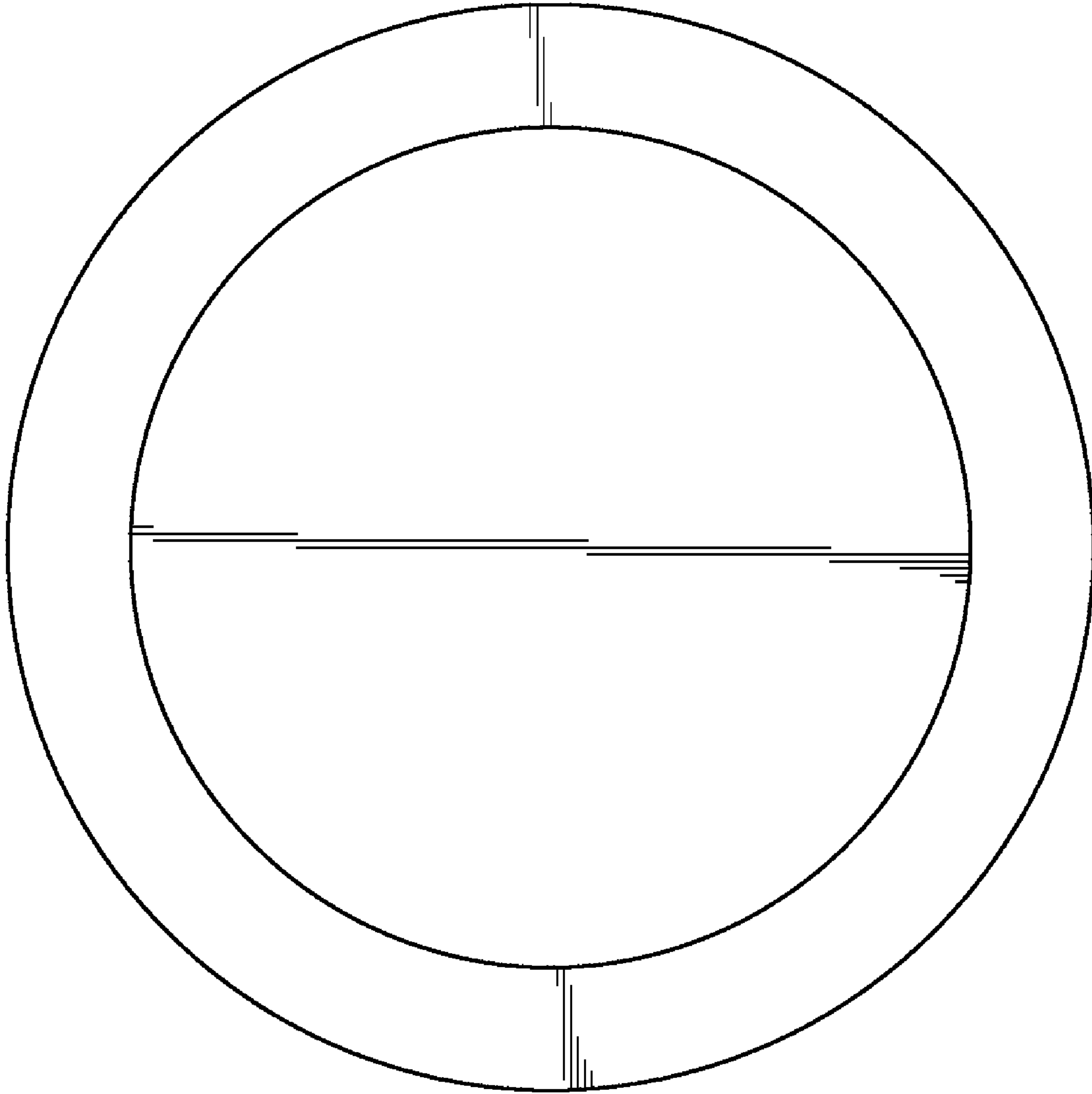


FIG. 6