



US00D575985S

(12) **United States Design Patent**
Delaney

(10) **Patent No.:** **US D575,985 S**
(45) **Date of Patent:** **** Sep. 2, 2008**

(54) **PROJECTION ELEMENT**

(76) Inventor: **Martina Maria Delaney**, Unit 93
Newton Way, Cooklock, Dublin 17 (IE)

(**) Term: **14 Years**

(21) Appl. No.: **29/276,680**

(22) Filed: **Feb. 1, 2007**

(30) **Foreign Application Priority Data**

Aug. 28, 2006 (EM) 000580527-0001

(51) **LOC (8) Cl.** **07-02**

(52) **U.S. Cl.** **D7/405**

(58) **Field of Classification Search** D7/402,
D7/405-406; D6/503, 511; D12/182-183,
D12/193, 401; D14/450; D15/138; D23/403;
D26/139

See application file for complete search history.

(56) **References Cited**

U.S. PATENT DOCUMENTS

D284,314 S * 6/1986 Gavlik D26/139
D321,063 S * 10/1991 Neece D26/139
D325,035 S * 3/1992 Sparks D15/138
D351,760 S * 10/1994 Frank D7/402
D358,587 S * 5/1995 Solero D14/450

D366,110 S * 1/1996 Darr D23/403
D372,216 S * 7/1996 Denson et al. D12/183
D398,915 S * 9/1998 Shaffer D14/450
D406,806 S * 3/1999 Wallace et al. D12/193
D424,009 S * 5/2000 McGrew D12/401
D443,572 S * 6/2001 Freeman D12/182
D496,322 S * 9/2004 Farney et al. D12/401
D504,899 S * 5/2005 Ellis et al. D14/450

* cited by examiner

Primary Examiner—Robert A. Delehanty

Assistant Examiner—Mark Cavanna

(74) *Attorney, Agent, or Firm*—Norris McLaughlin & Marcus, PA

(57) **CLAIM**

The ornamental design for a protection element, as shown and described.

DESCRIPTION

FIG. 1 is a perspective view of a protection element showing my new design;

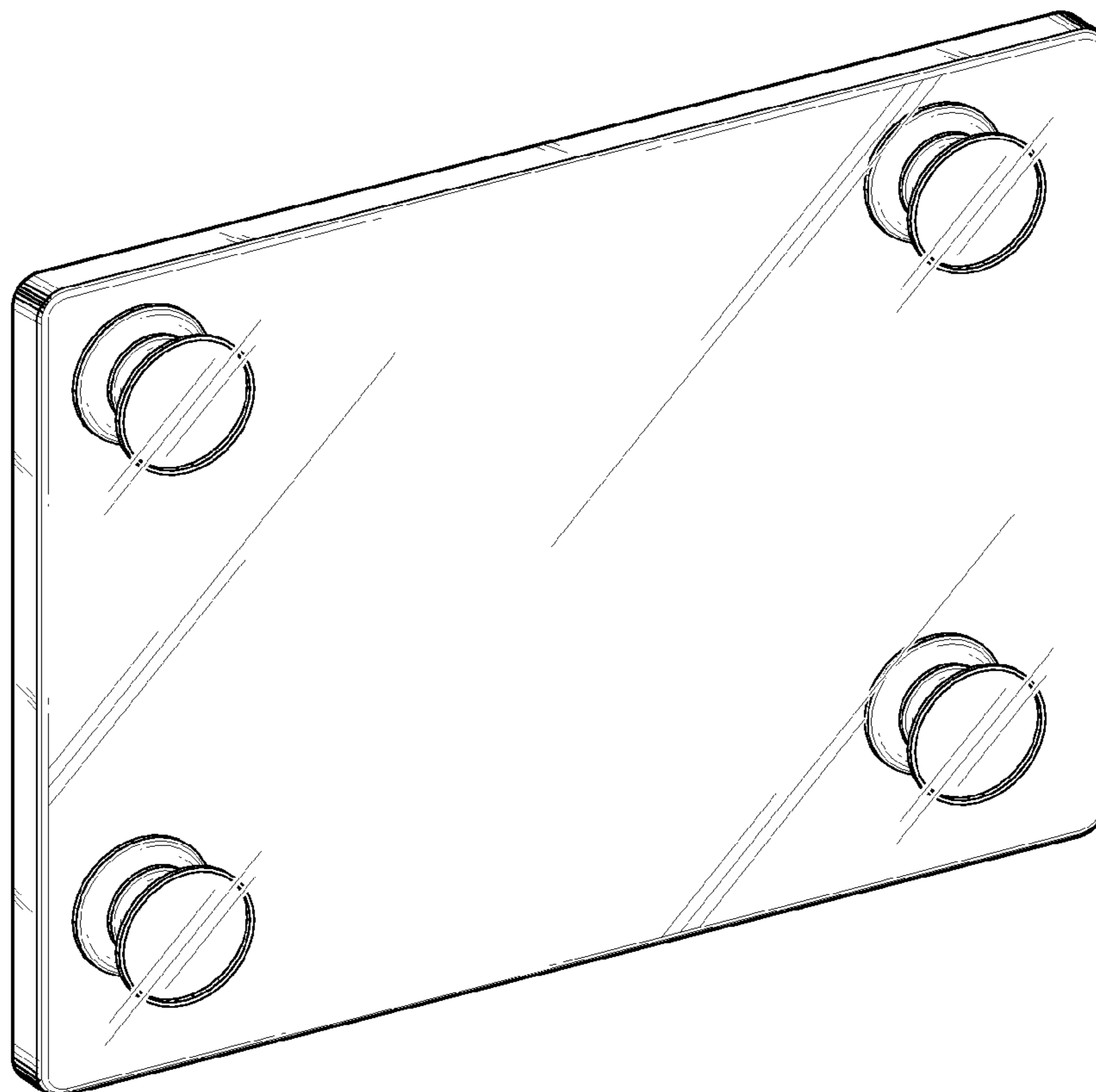
FIG. 2 is a front view thereof;

FIG. 3 is a side view thereof;

FIG. 4 is a rear view thereof; and,

FIG. 5 is a second side view thereof.

1 Claim, 4 Drawing Sheets



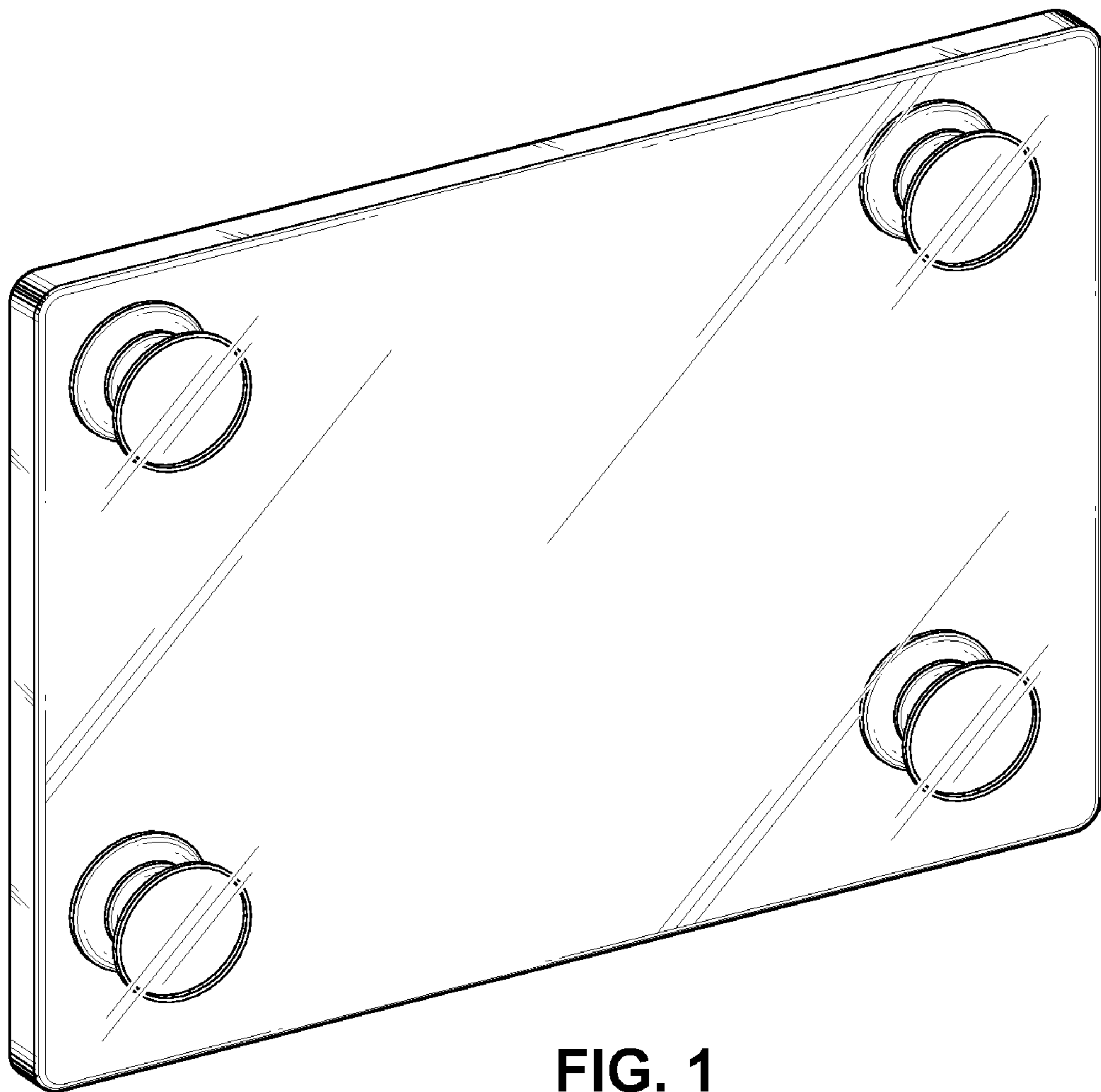


FIG. 1

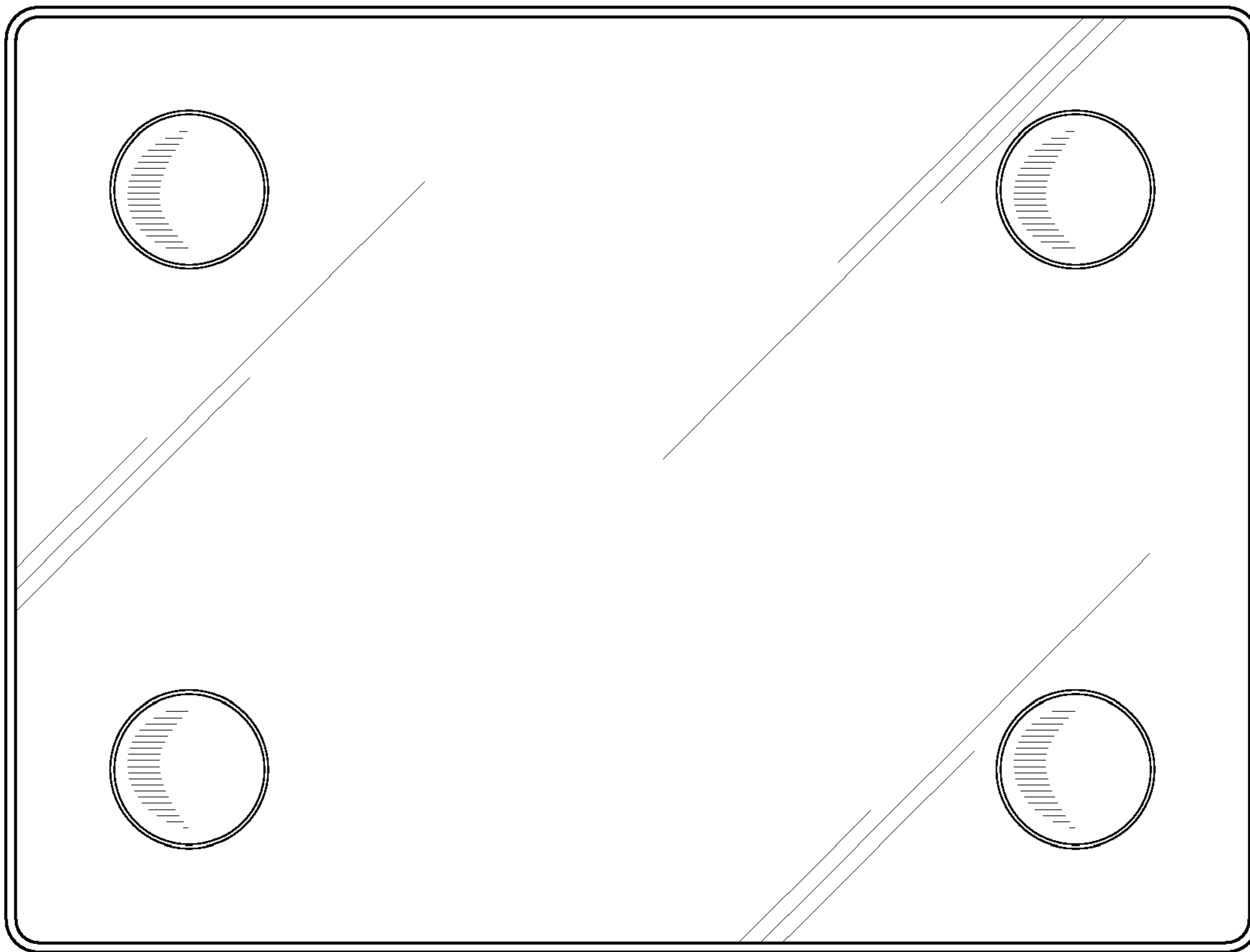


FIG. 2



FIG. 3



FIG. 5

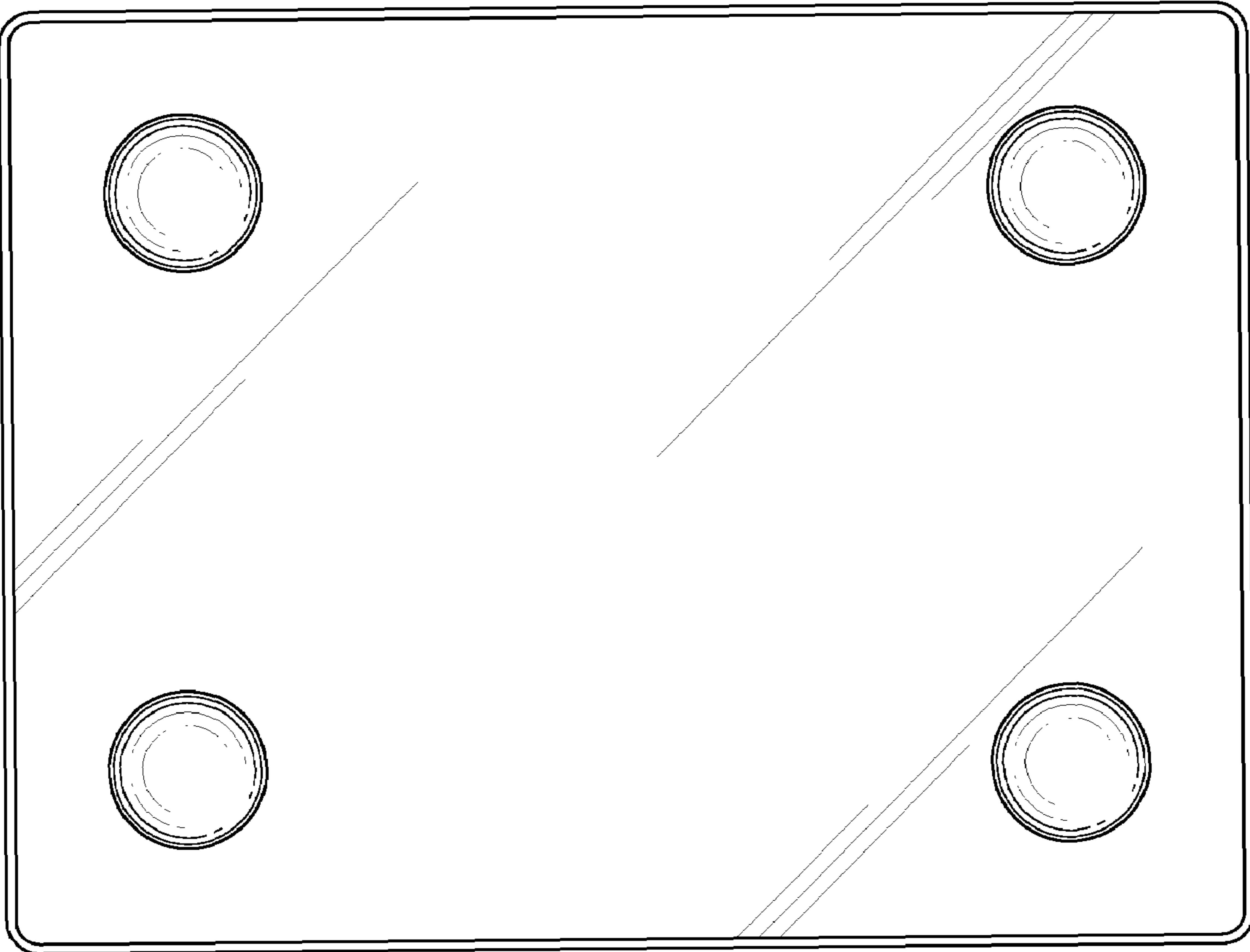


FIG. 4