



US00D575984S

(12) **United States Design Patent**
Coppi

(10) **Patent No.:** **US D575,984 S**

(45) **Date of Patent:** **** Sep. 2, 2008**

(54) **PAN HANDLE**

(75) **Inventor:** **Fabrizio Coppi**, Brescia (IT)

(73) **Assignee:** **Bialetti Industrie S.p.A.**, Coccaglio,
Brescia (IT)

(**) **Term:** **14 Years**

(21) **Appl. No.:** **29/303,427**

(22) **Filed:** **Feb. 8, 2008**

(30) **Foreign Application Priority Data**

Oct. 30, 2007 (IT) BS2007O0041

(51) **LOC (8) Cl.** **07-02**

(52) **U.S. Cl.** **D7/393**

(58) **Field of Classification Search** D7/354-361,
D7/393-395; D8/107, 307, 300; D4/138,
D4/129; 16/430, 431, 110.1, 407; 220/573.1-573.5,
220/752, 753, 755, 756, 759, 771, 912
See application file for complete search history.

(56) **References Cited**

U.S. PATENT DOCUMENTS

D470,716 S * 2/2003 Kloppsteck D7/361

D510,233 S * 10/2005 Giannone D7/395
D520,811 S * 5/2006 Spagnolo D7/395
D525,827 S * 8/2006 Munari D7/393
D528,360 S * 9/2006 Pascal D7/393
D559,617 S * 1/2008 Kloppsteck D7/393

* cited by examiner

Primary Examiner—Holly H. Baynham

Assistant Examiner—Cynthia M Chin

(74) *Attorney, Agent, or Firm*—Kilyk & Bowersox, P.L.L.C.

(57) **CLAIM**

The ornamental design for a pan handle, as shown and described.

DESCRIPTION

FIG. 1 is a perspective view of a pan handle, showing my new design from the top and left side;

FIG. 2 is a front elevational view thereof;

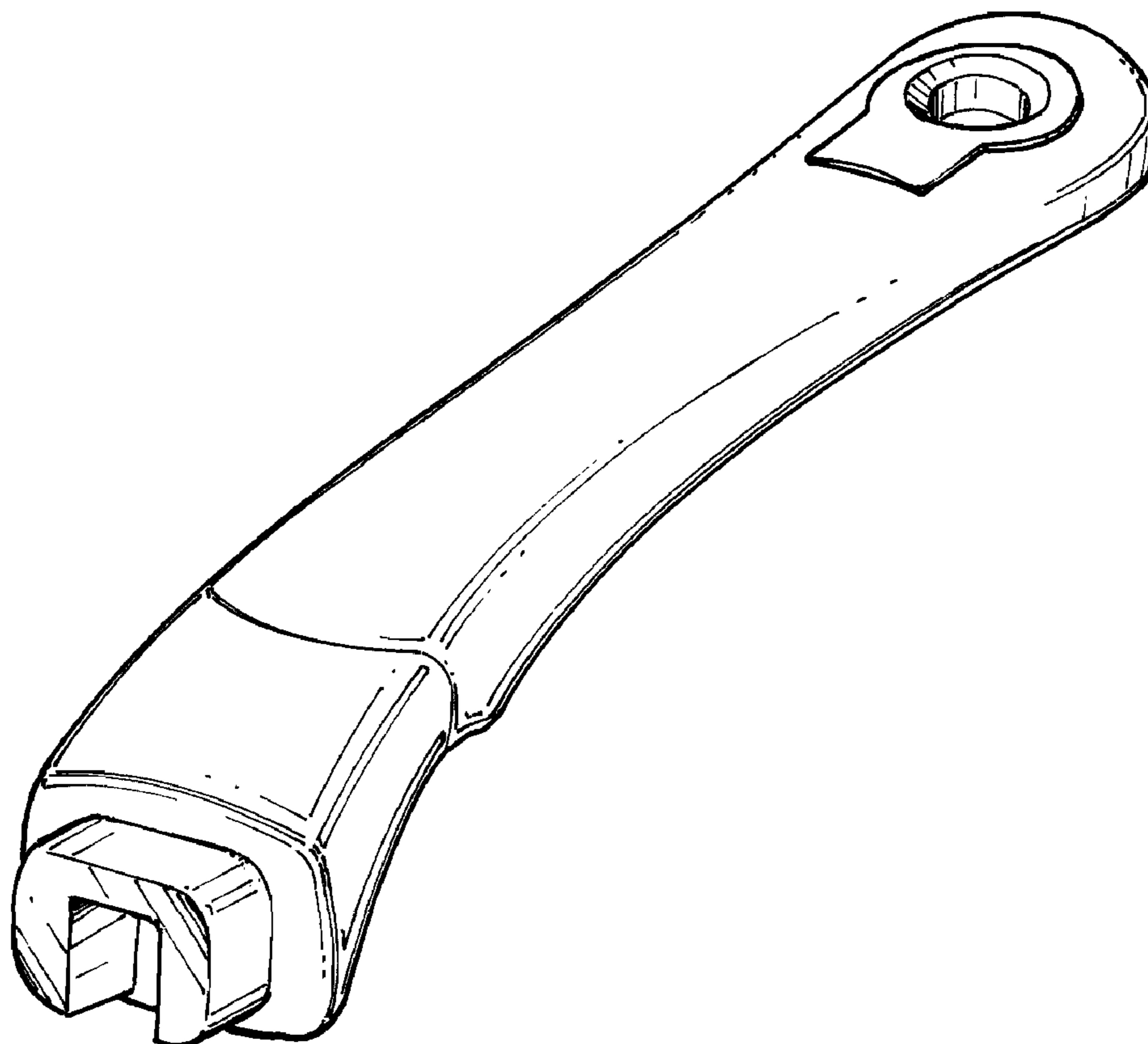
FIG. 3 is a rear elevational view thereof;

FIG. 4 is a bottom plan view thereof;

FIG. 5 is a left side elevational view thereof, the right side view being a mirror image thereof; and,

FIG. 6 is a top plan view thereof.

1 Claim, 2 Drawing Sheets



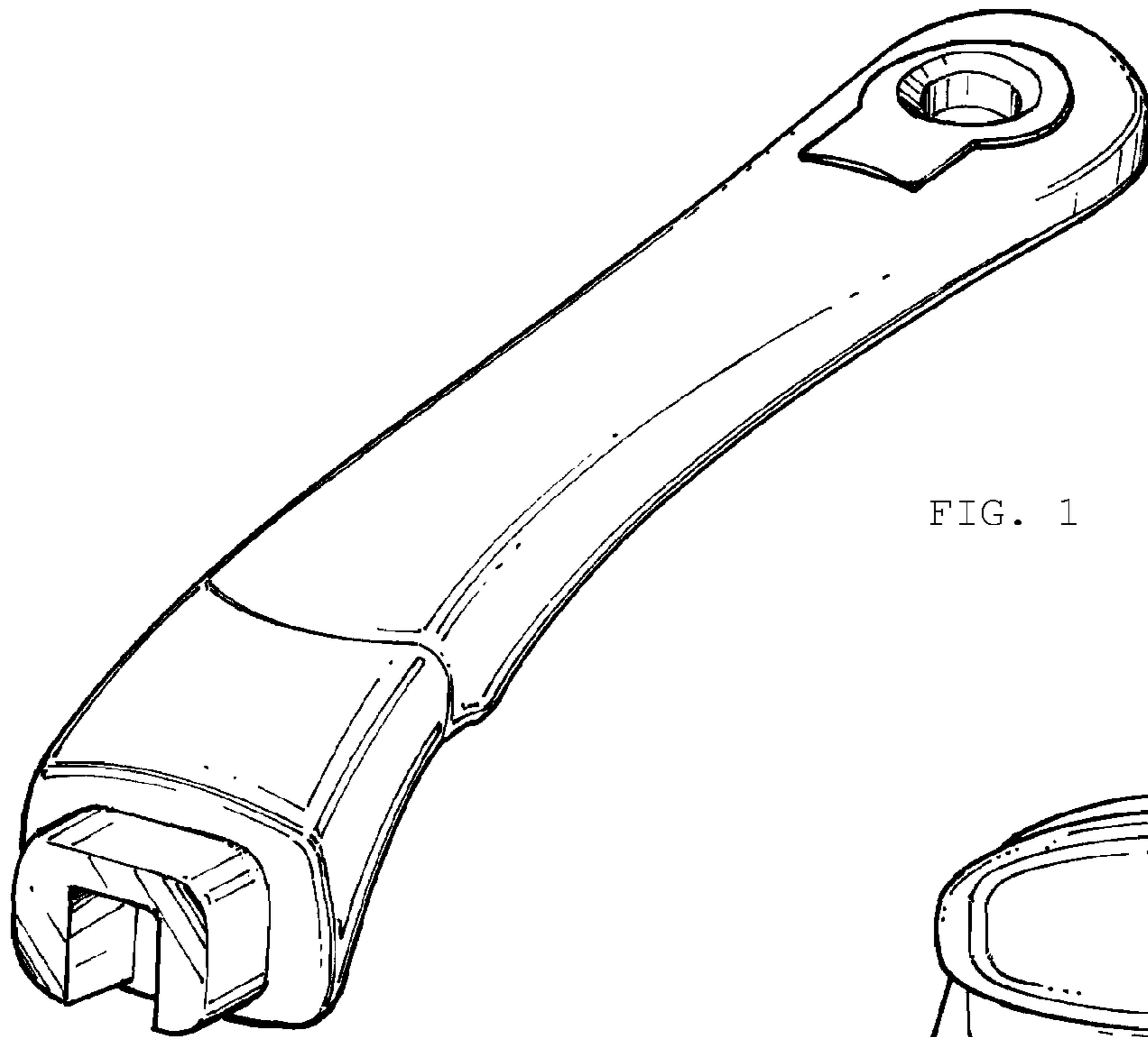


FIG. 1

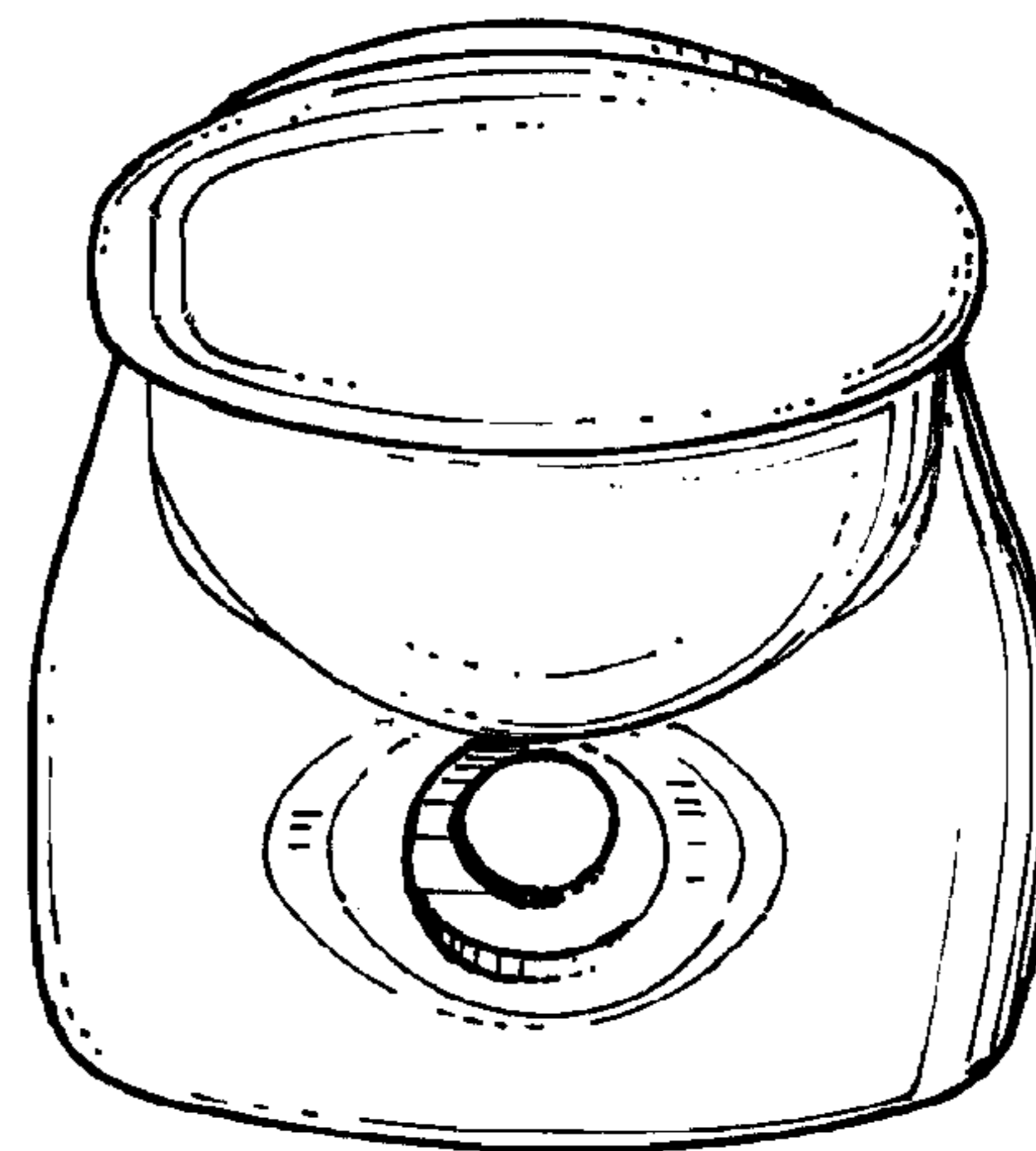


FIG. 2

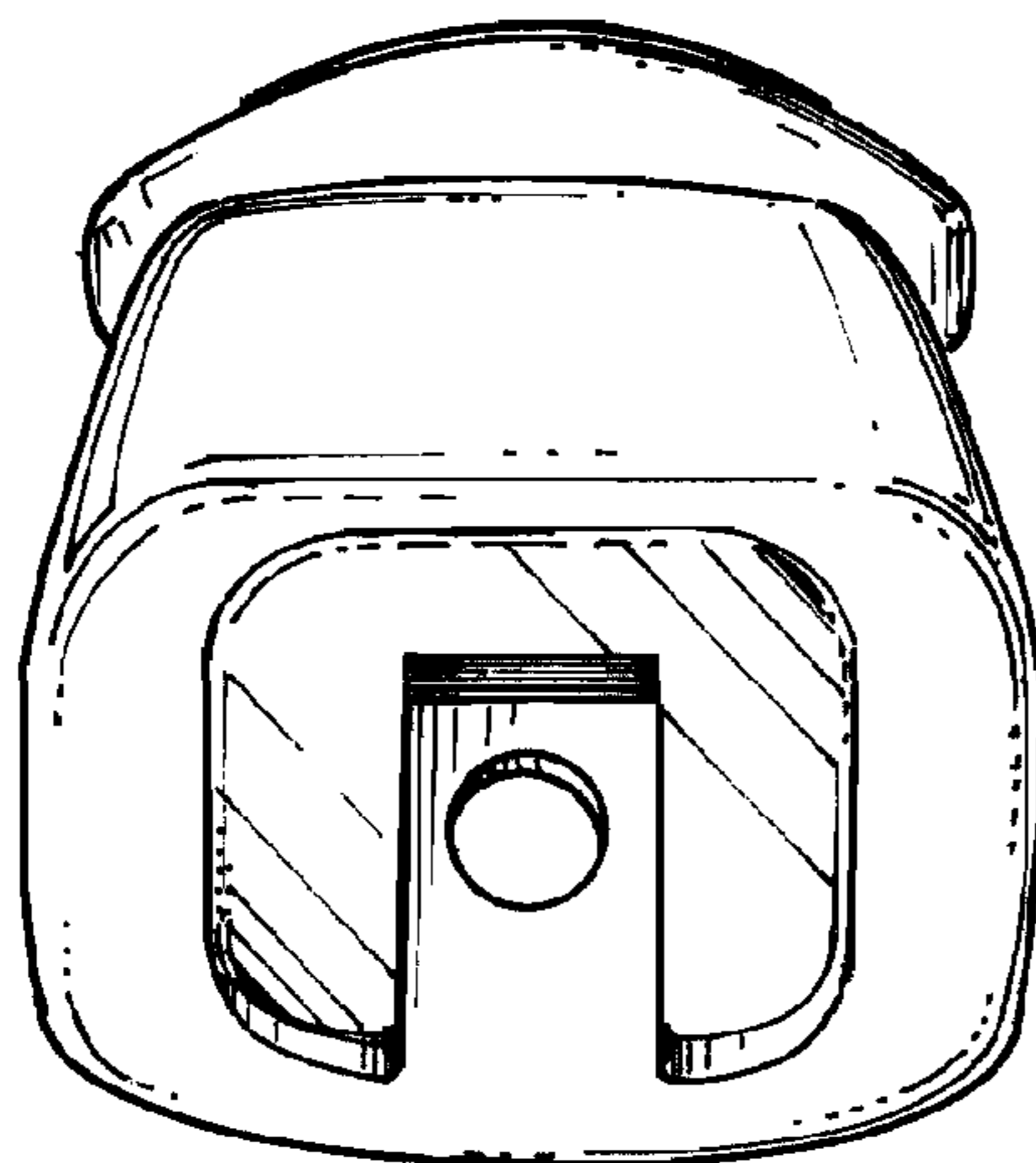


FIG. 3

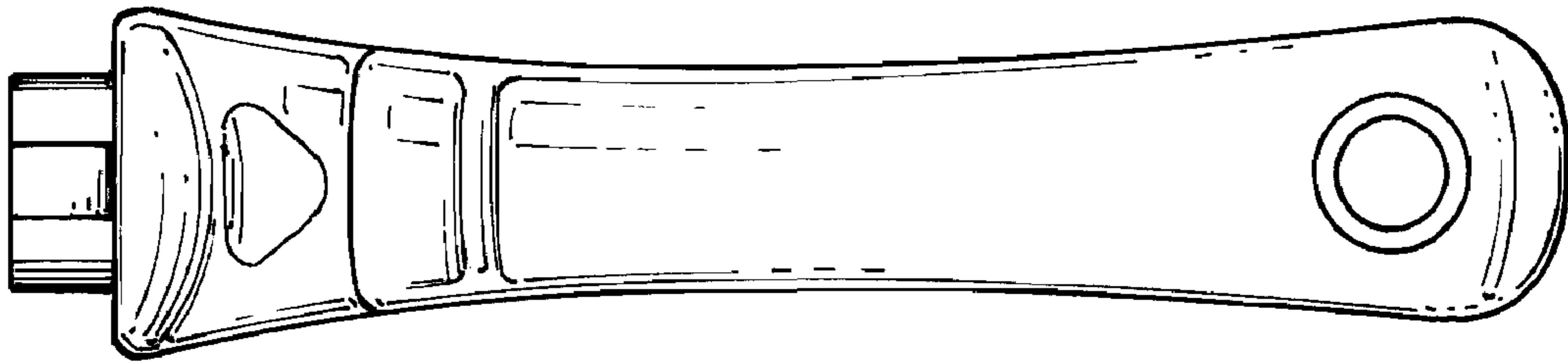


FIG. 4

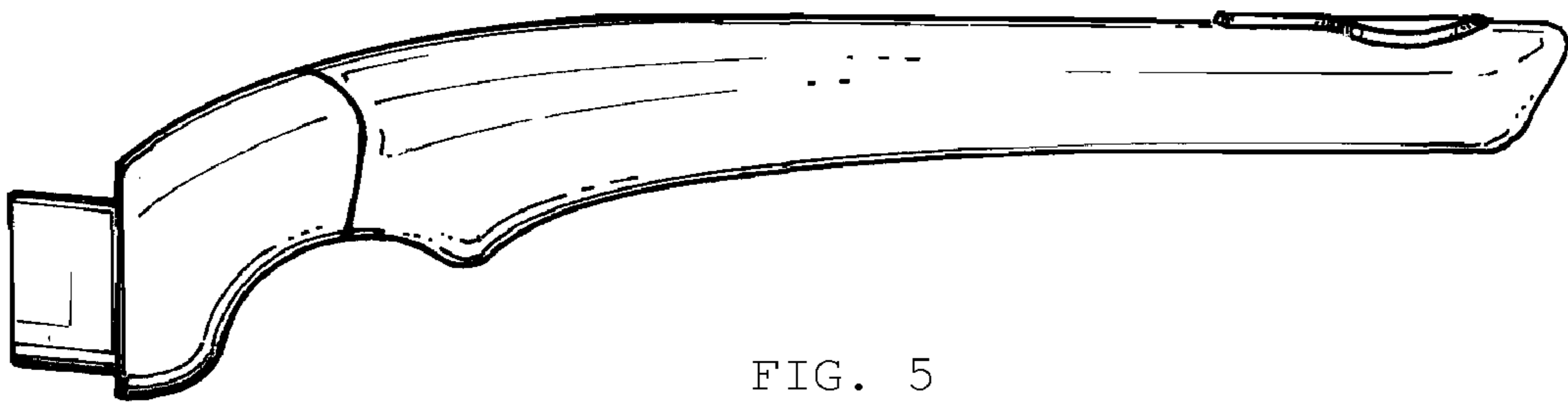


FIG. 5

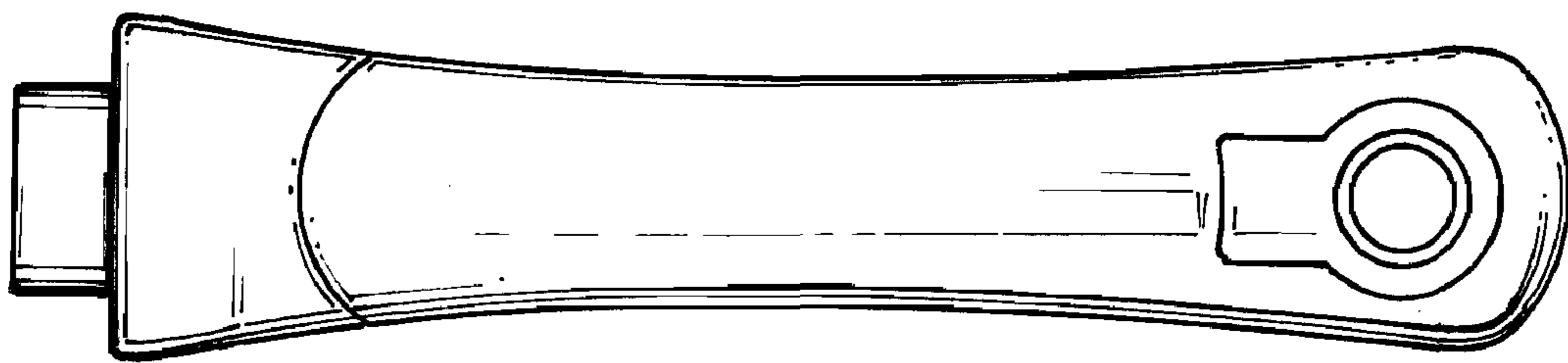


FIG. 6