



US00D575977S

(12) **United States Design Patent**
Rose

(10) **Patent No.:** **US D575,977 S**
(45) **Date of Patent:** **** Sep. 2, 2008**

(54) **COFFEE MAKER**

(75) Inventor: **Vyvyan Rose**, Botany (AU)

(73) Assignee: **Breville Pty Ltd**, Botony (AU)

(**) Term: **14 Years**

(21) Appl. No.: **29/265,536**

(22) Filed: **Sep. 5, 2006**

(30) **Foreign Application Priority Data**

Mar. 9, 2006 (AU) 10919/2006

(51) **LOC (8) Cl.** **07-01**

(52) **U.S. Cl.** **D7/309; D7/311**

(58) **Field of Classification Search** D7/309-311,
D7/305, 300, 306-308; 99/299, 284, 280,
99/283, 300; 219/433

See application file for complete search history.

(56) **References Cited**

U.S. PATENT DOCUMENTS

D243,057 S *	1/1977	Painter	D7/309
D243,501 S *	3/1977	Painter	D7/309
D243,737 S *	3/1977	Painter	D7/309
D253,987 S *	1/1980	Painter	D7/309
4,464,981 A *	8/1984	Stover	99/280
D323,949 S *	2/1992	Kahlcke	D7/309

D354,193 S *	1/1995	Storsberg	D7/309
D411,403 S *	6/1999	Gudefin	D7/309
D430,770 S *	9/2000	Kirkwood	D7/307
D454,023 S *	3/2002	Wang	D7/309
D489,217 S *	5/2004	Seum et al.	D7/309
D541,097 S *	4/2007	Leverrier	D7/307
7,225,728 B2 *	6/2007	Lyall, III	99/299
D556,495 S *	12/2007	Davenport	D7/309

* cited by examiner

Primary Examiner—Marianne Pandozzi

(74) *Attorney, Agent, or Firm*—Molins & Co.

(57) **CLAIM**

The ornamental design for a coffee maker, as shown and described.

DESCRIPTION

FIG. 1 is a isometric view of a coffee maker showing my new design;

FIG. 2 is a right view thereof;

FIG. 3 is a front view thereof;

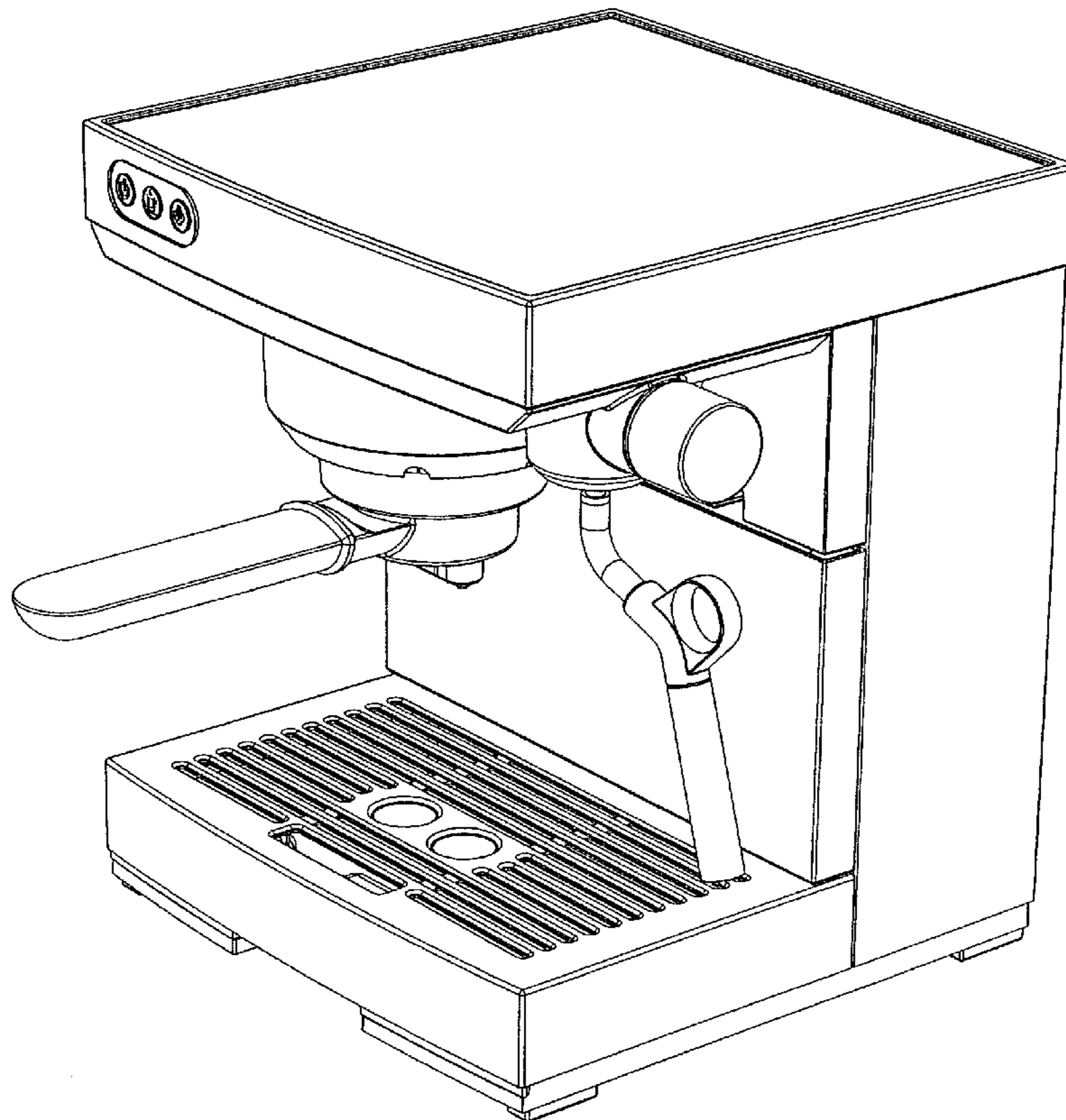
FIG. 4 is a left view thereof;

FIG. 5 is a rear view thereof;

FIG. 6 is a top view thereof; and,

FIG. 7 is a bottom view thereof.

1 Claim, 7 Drawing Sheets



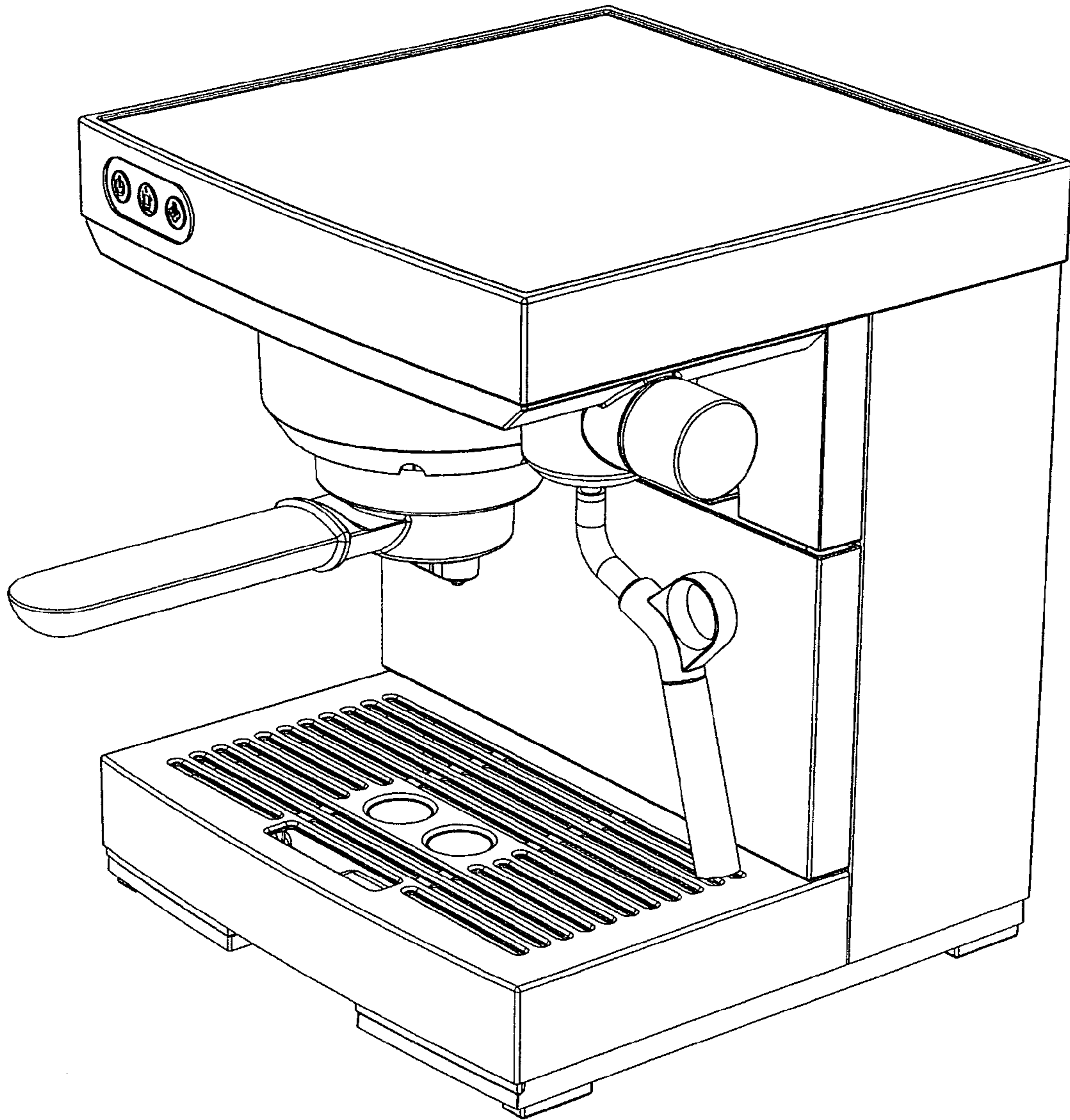


FIG. 1

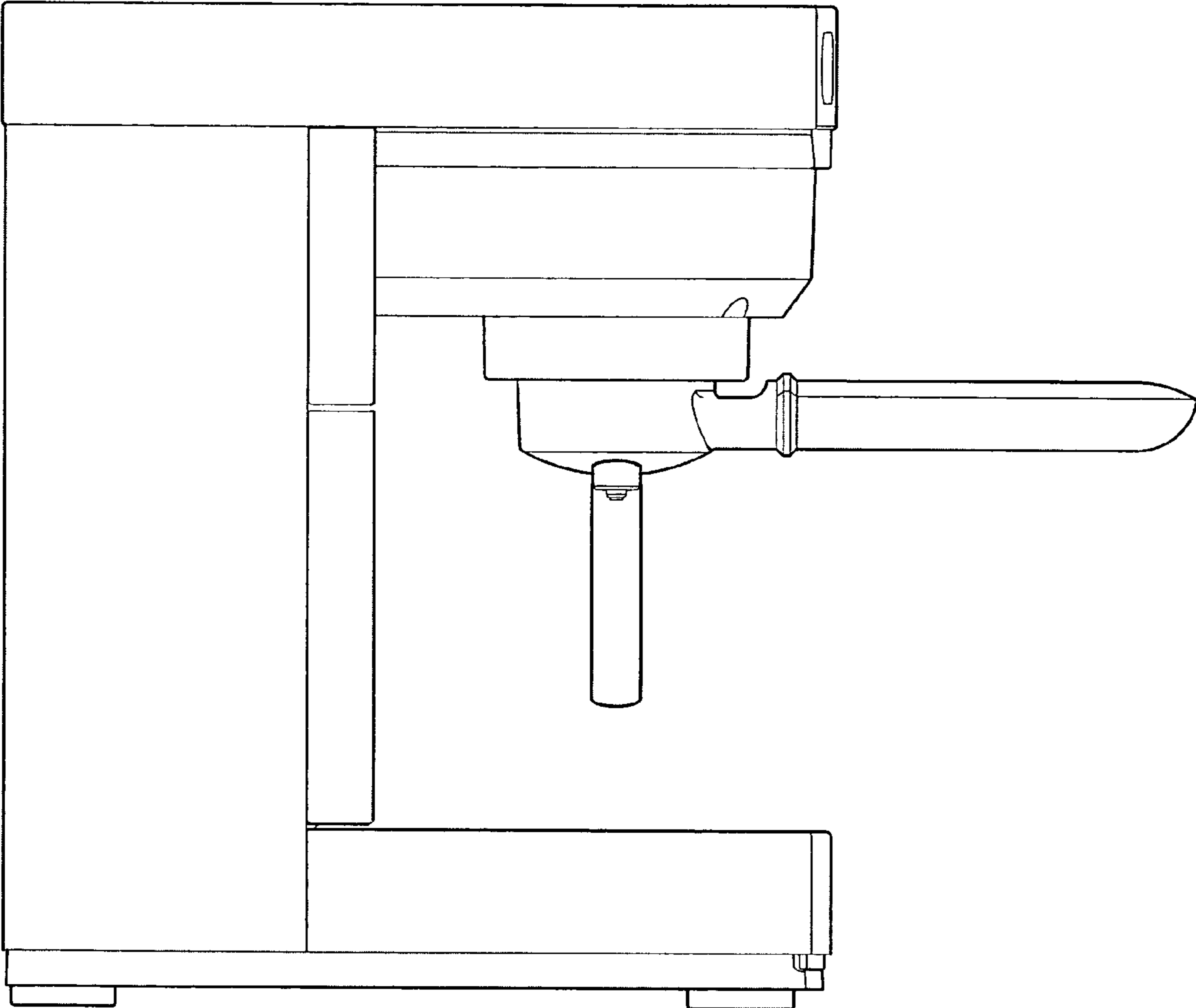


FIG. 2

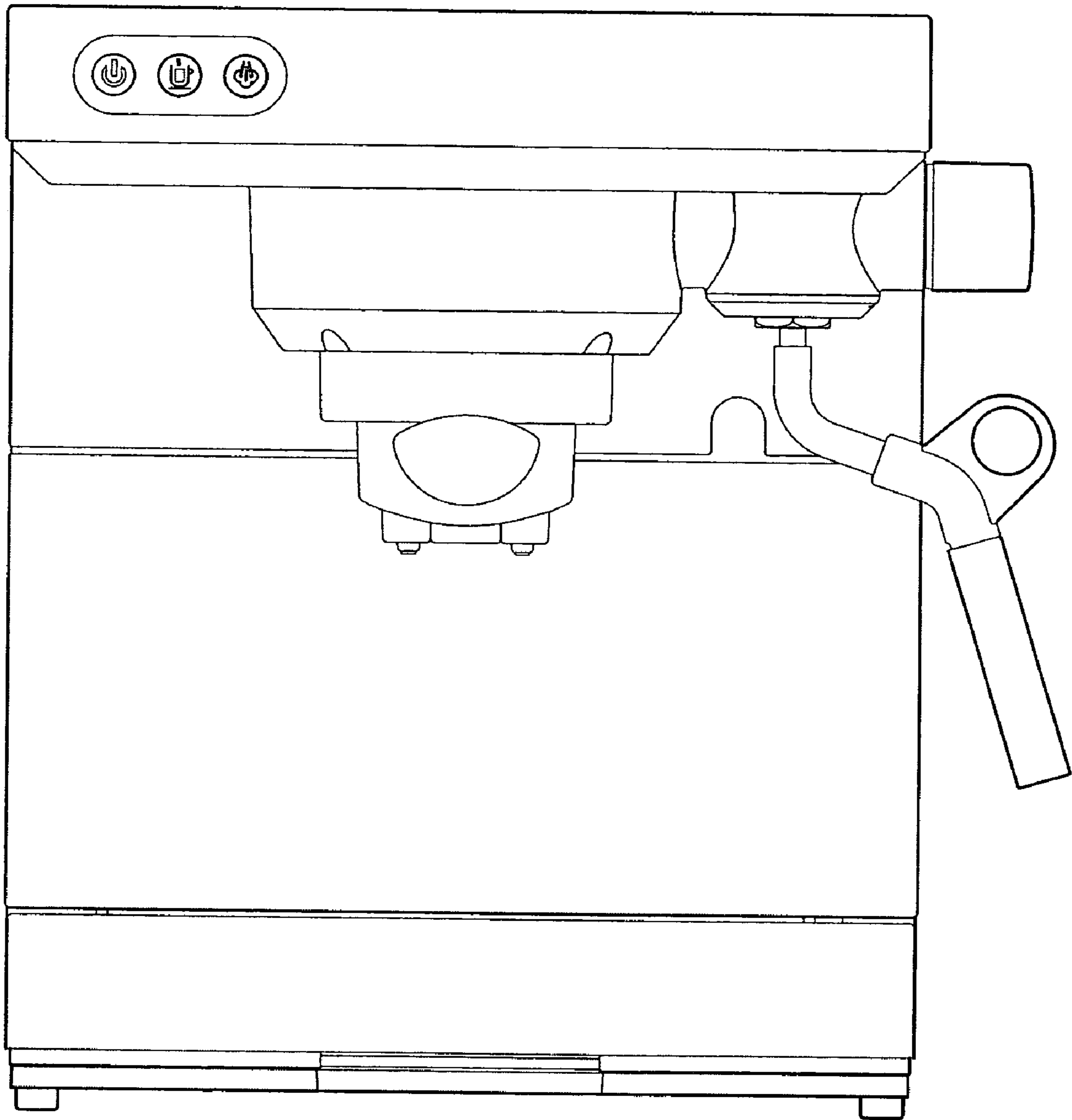


FIG. 3

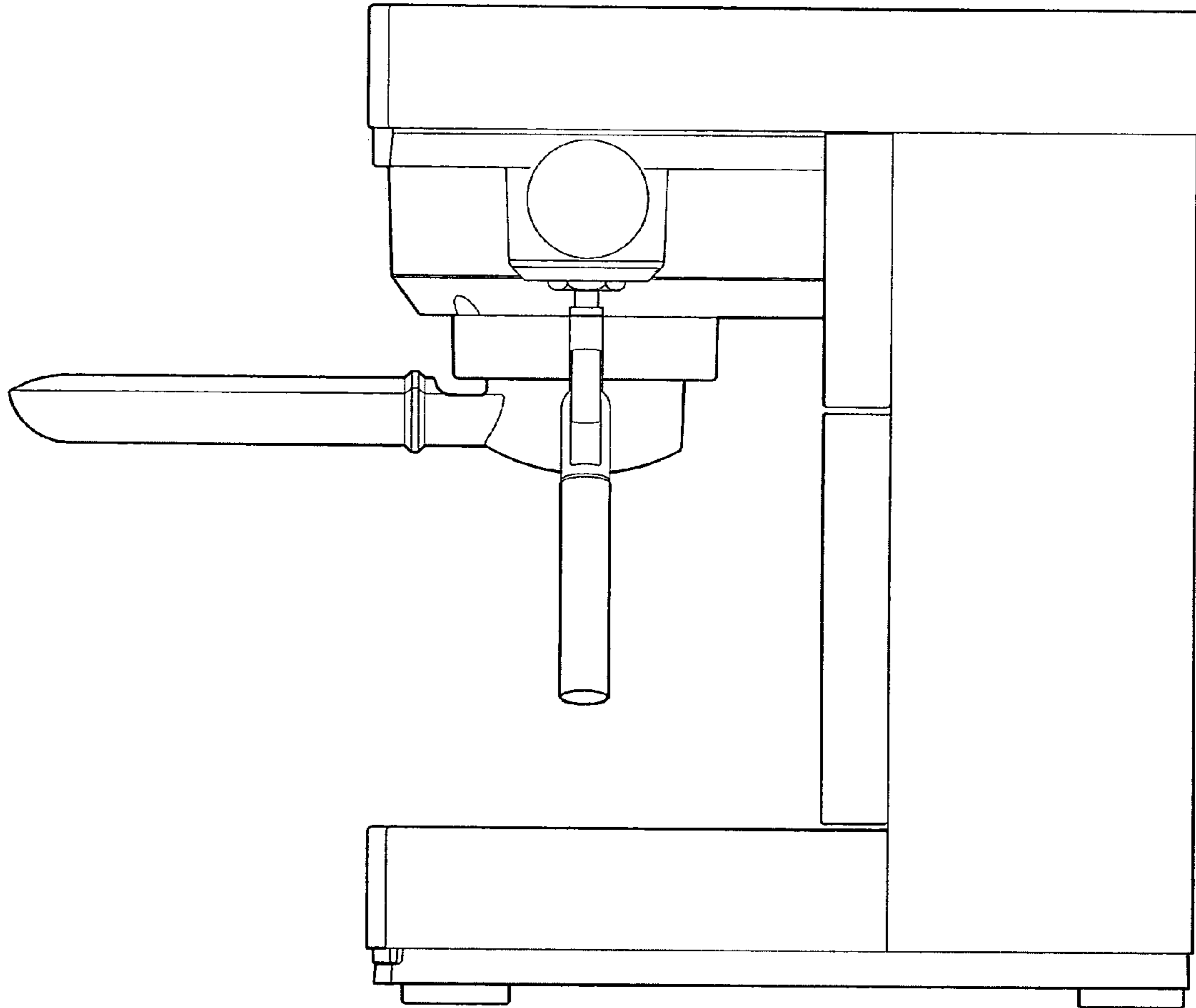


FIG. 4

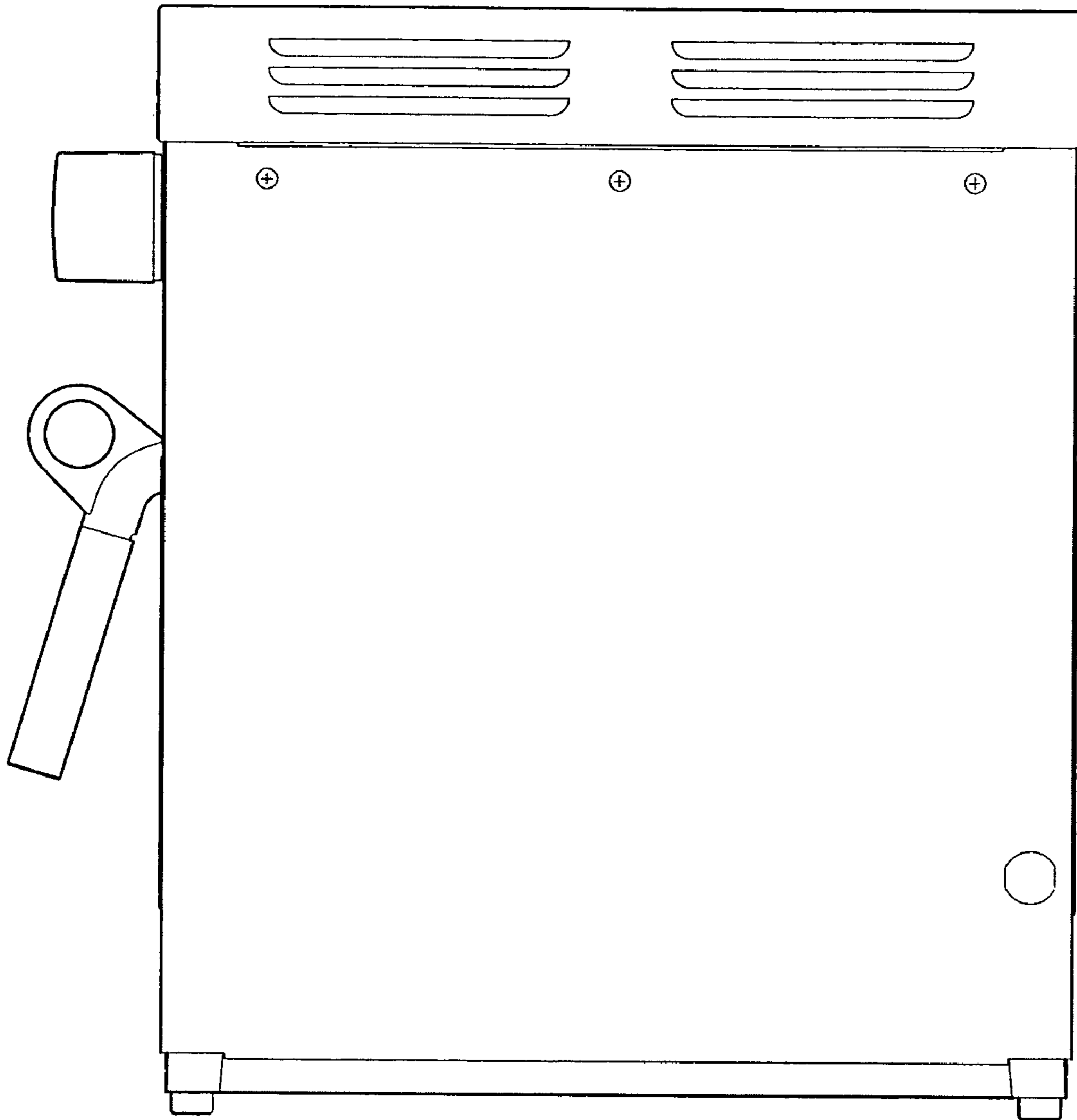


FIG. 5

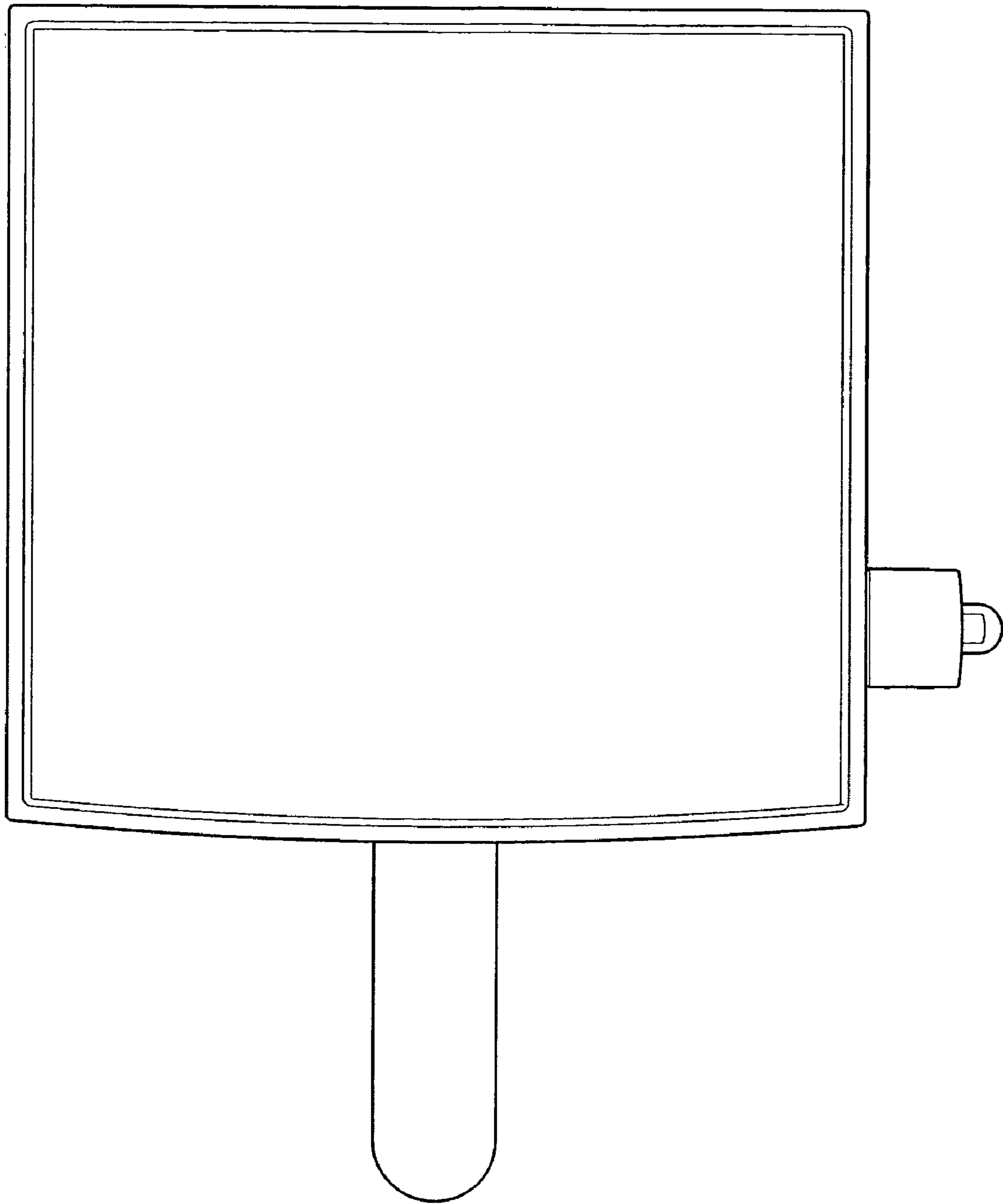


FIG. 6

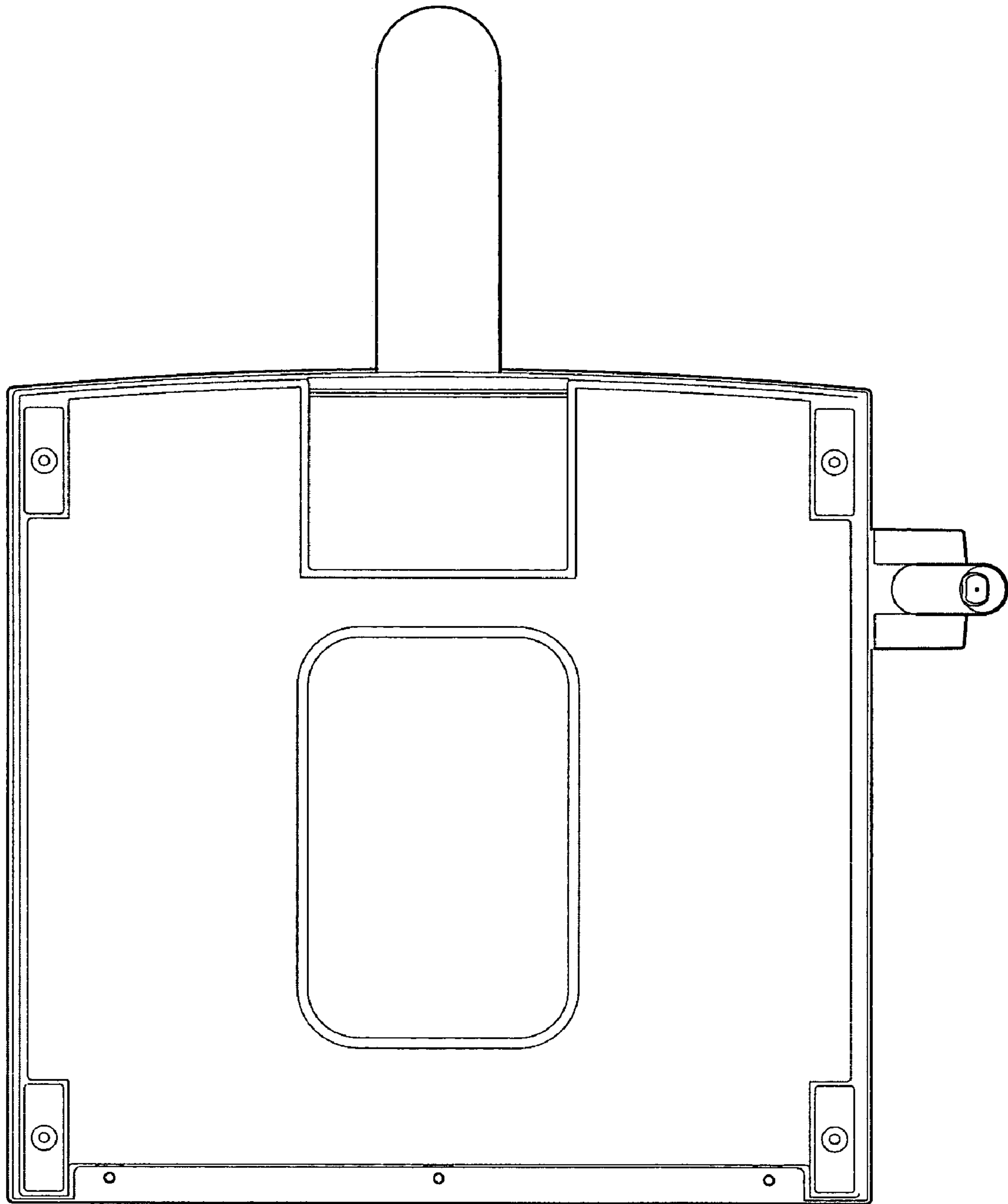


FIG. 7