



US00D575975S

(12) **United States Design Patent**  
**Williamson**

(10) **Patent No.:** **US D575,975 S**

(45) **Date of Patent:** **\*\* Sep. 2, 2008**

(54) **SKIRTED CRIB BUMPER**

(76) **Inventor:** **Jan Williamson**, 10738 St. Hwy. 49  
East, Jefferson, TX (US) 75767

(\*\*) **Term:** **14 Years**

(21) **Appl. No.:** **29/291,841**

(22) **Filed:** **Sep. 17, 2007**

(51) **LOC (8) Cl.** ..... **06-09**

(52) **U.S. Cl.** ..... **D6/606; D6/596**

(58) **Field of Classification Search** ..... D6/595,  
D6/596, 601-603, 606, 607, 610; 5/93.1,  
5/482, 485, 493, 494, 496, 497, 499, 658,  
5/653; D3/4

See application file for complete search history.

(56) **References Cited**

**U.S. PATENT DOCUMENTS**

1,897,525	A *	2/1933	McGill	.....	5/93.1
3,137,870	A *	6/1964	Fink	.....	5/93.1
3,999,233	A *	12/1976	Morris	.....	5/493
4,890,346	A *	1/1990	Rist	.....	5/658
D329,515	S *	9/1992	Isaac	.....	D34/4

5,802,637	A *	9/1998	Bordo	.....	5/493
D478,762	S *	8/2003	Cunningham	.....	D6/610
D484,347	S *	12/2003	Curran	.....	D6/596
2004/0064889	A1 *	4/2004	Diak/Ghanem	.....	5/482

\* cited by examiner

*Primary Examiner*—Caron D. Veynar

*Assistant Examiner*—Mary Ann Calabrese

(57) **CLAIM**

The ornamental design for a skirted crib bumper, as shown and described.

**DESCRIPTION**

FIG. 1 is a side view of a skirted crib bumper showing my new design, where the opposing side view is identical;

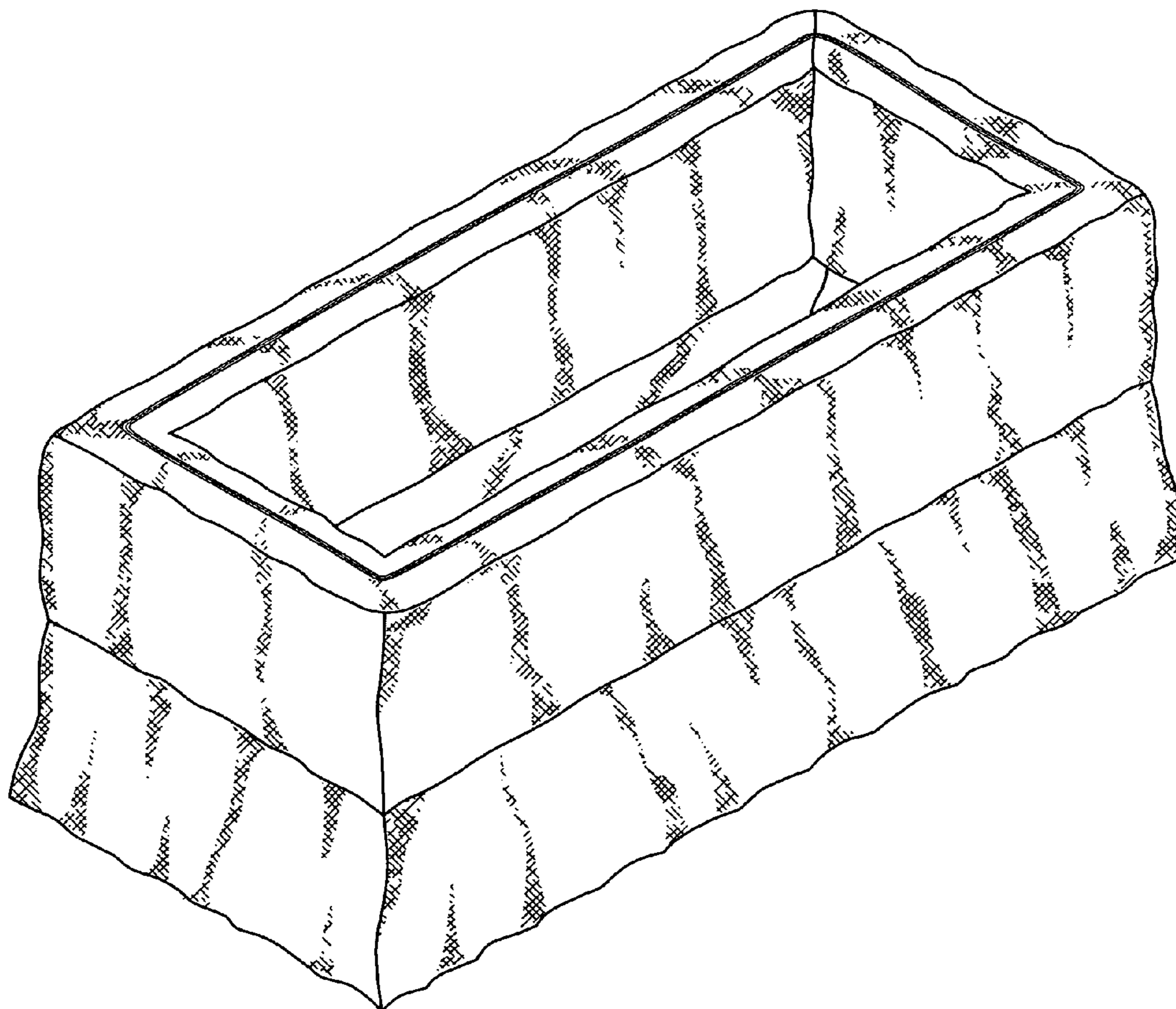
FIG. 2 is an end side view thereof, where the opposing end side view is identical;

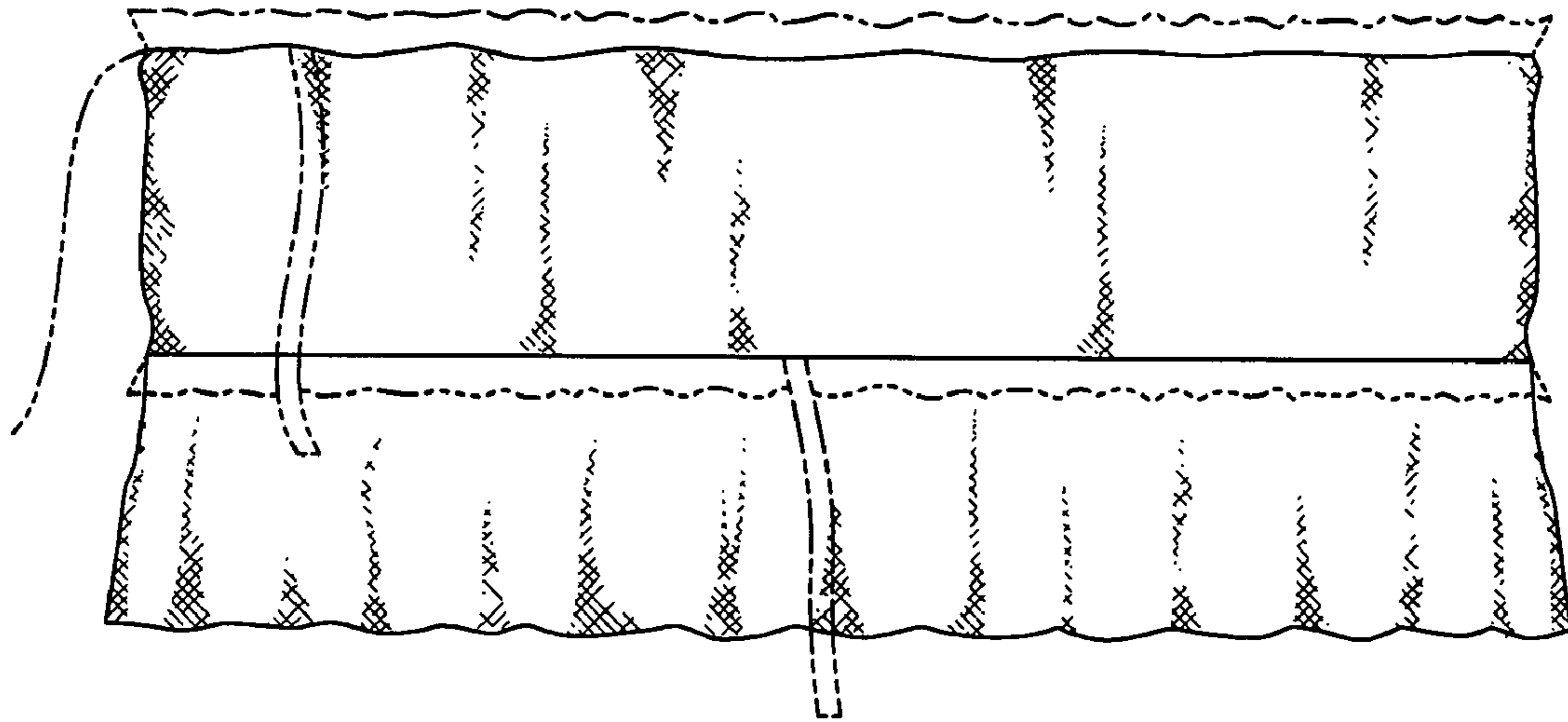
FIG. 3 is a top view thereof; and,

FIG. 4 is a perspective view thereof.

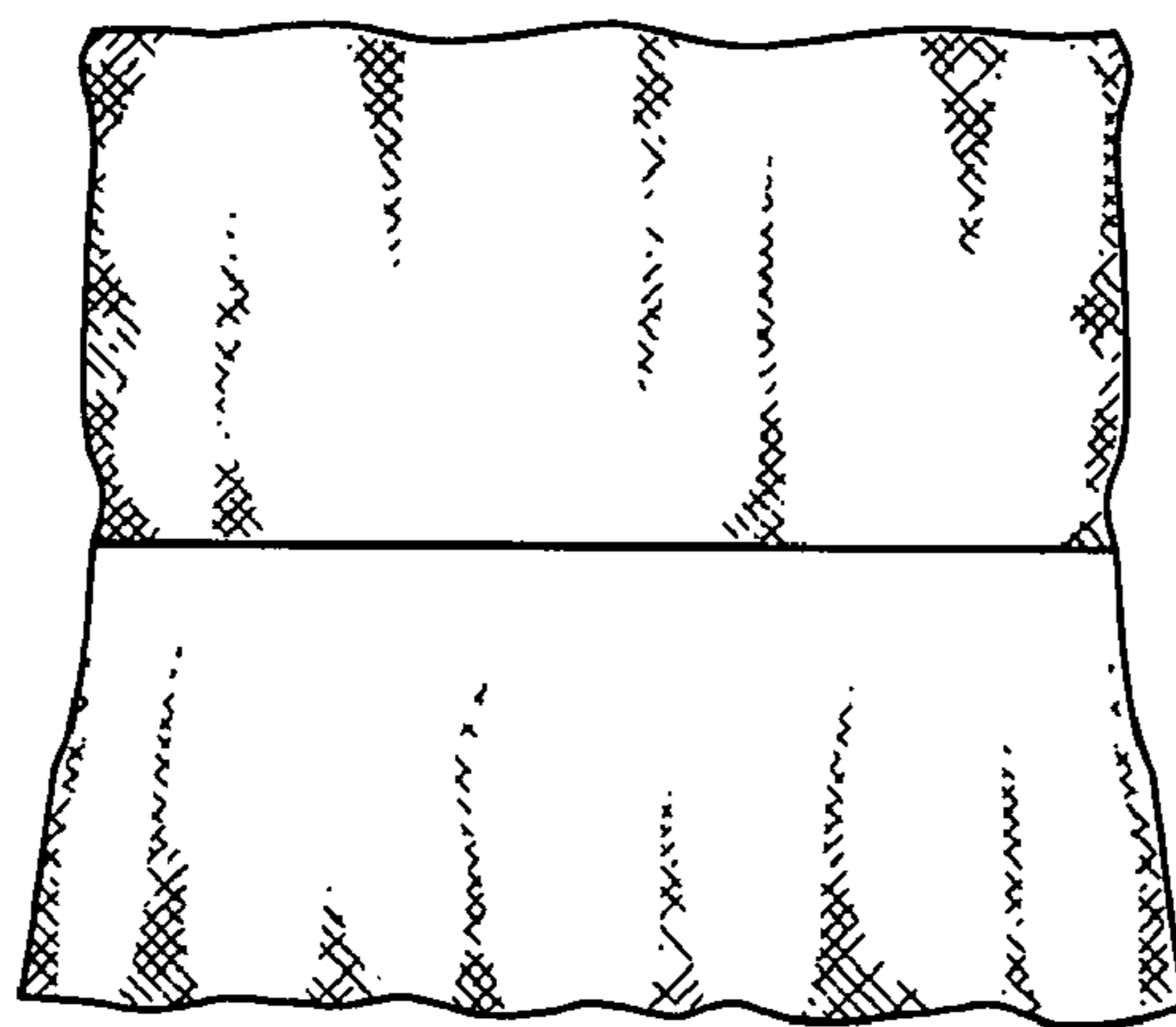
In the drawings, the broken lines represent environmental structure forming no part of the claimed design.

**1 Claim, 3 Drawing Sheets**

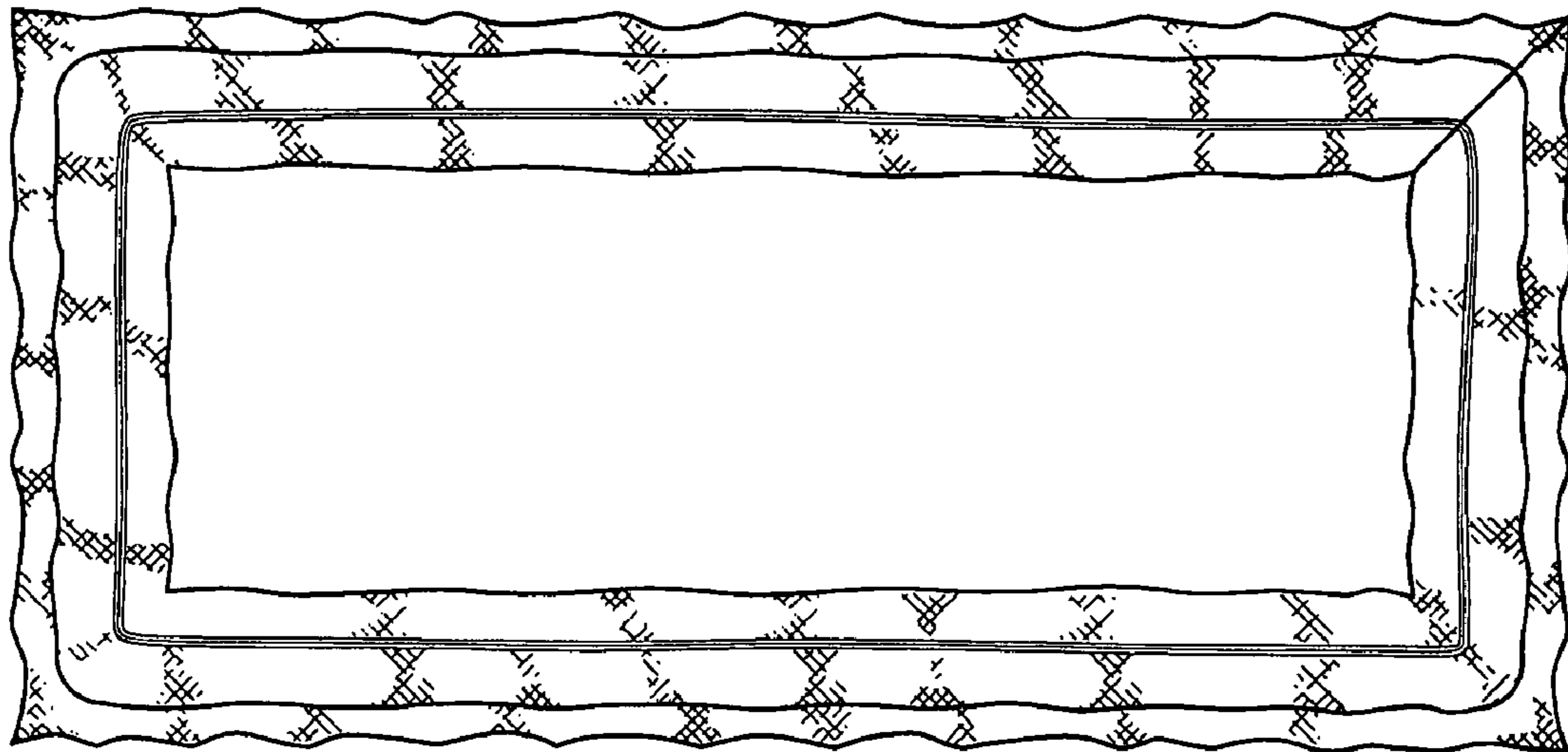




*Fig. 1*

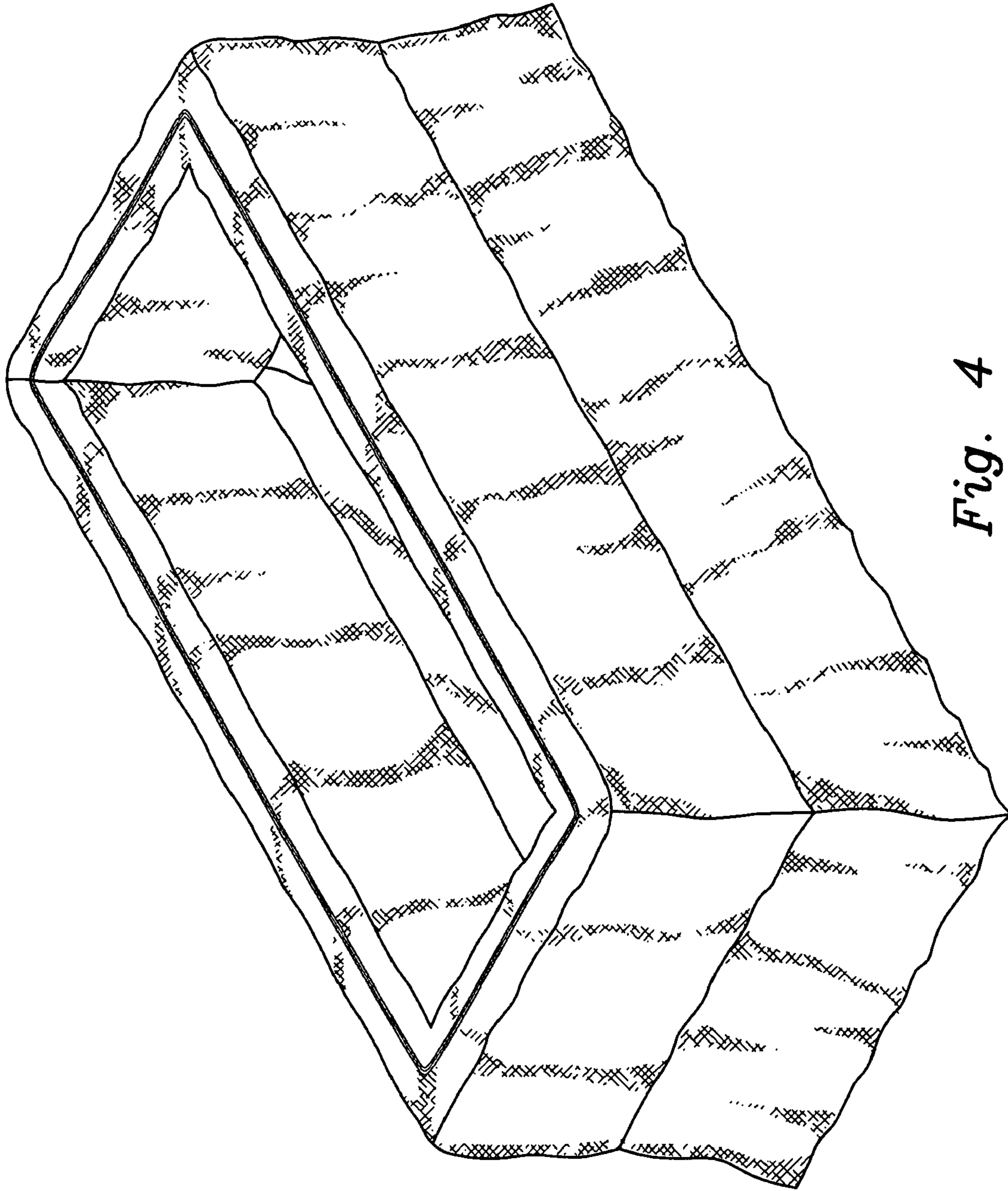


*Fig. 2*



*Fig. 3*





*Fig. 4*