



US00D575973S

(12) **United States Design Patent**
Goodman et al.

(10) **Patent No.:** **US D575,973 S**
(45) **Date of Patent:** **** Sep. 2, 2008**

(54) **WALL-MOUNT KEY RACK**

D465,406 S * 11/2002 Goodman et al. D8/372
D483,593 S * 12/2003 Knapp D6/572
D484,345 S * 12/2003 Clucas D6/572

(75) Inventors: **Sheldon H. Goodman**, Solon, OH (US);
Omer I. Sazir, Cleveland, OH (US)

* cited by examiner

(73) Assignee: **Spectrum Diversified Designs, Inc.**,
Streetsboro, OH (US)

Primary Examiner—Brian N Vinson
(74) *Attorney, Agent, or Firm*—Pearne & Gordon LLP

(**) Term: **14 Years**

(57) **CLAIM**

(21) Appl. No.: **29/306,081**

The ornamental design for a wall-mount key rack, as shown and described.

(22) Filed: **Apr. 2, 2008**

DESCRIPTION

(51) **LOC (8) Cl.** **06-04**

FIG. 1 is a perspective view of a wall-mount key rack, showing our new design;

(52) **U.S. Cl.** **D6/572**

FIG. 2 is a front elevational view thereof;

(58) **Field of Classification Search** D6/323,
D6/553, 567, 572; D8/370, 372; 248/302,
248/303, 309, 339; 211/13.1, 87.01, 181.1,
211/106

FIG. 3 is a side elevational view thereof;

FIG. 4 is a top plan view thereof; and,

FIG. 5 is a bottom plan view thereof.

See application file for complete search history.

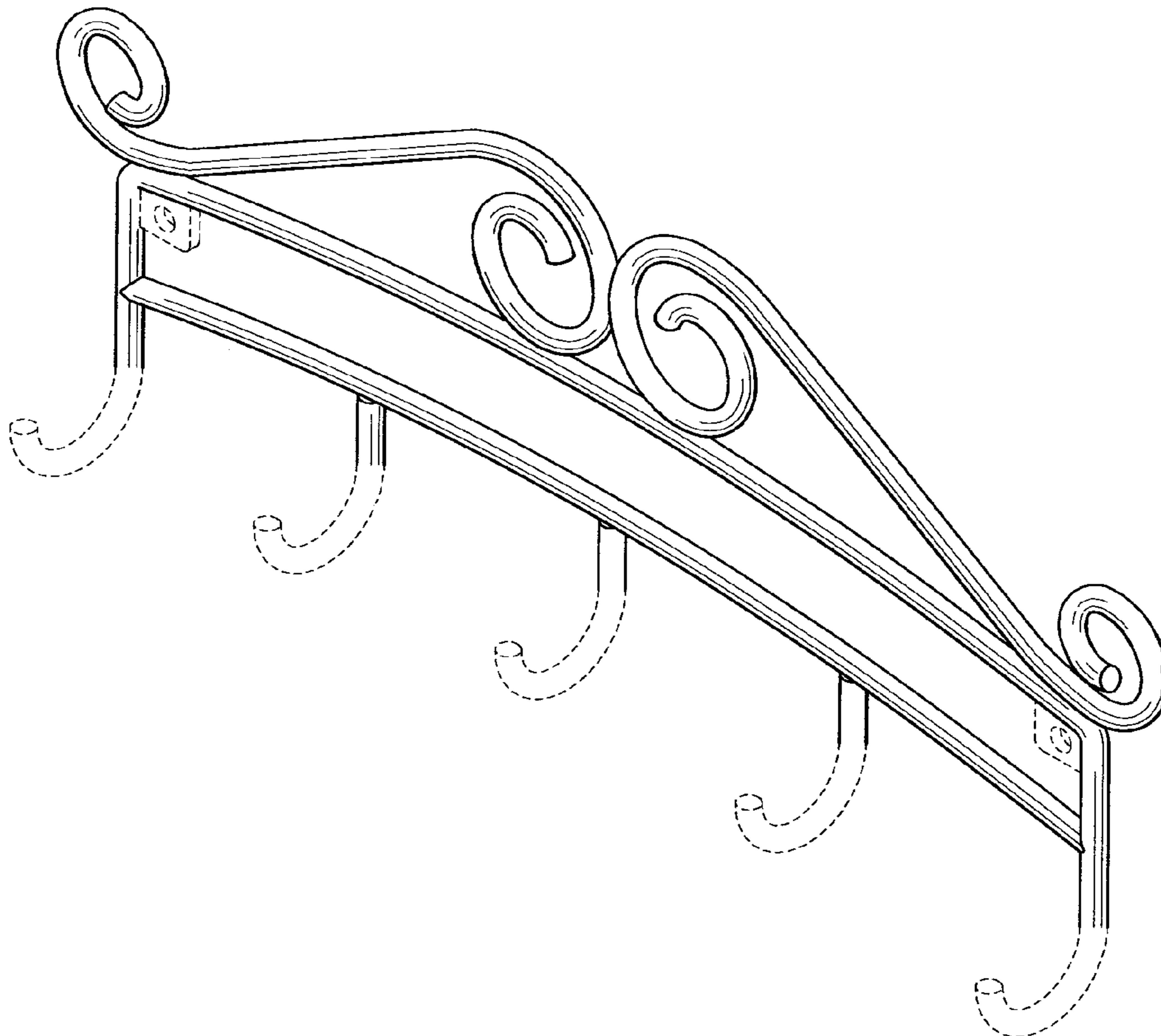
The dotted-line disclosure of elements in the views is for illustrative purposes only and forms no part of the claimed design.

(56) **References Cited**

U.S. PATENT DOCUMENTS

D436,839 S * 1/2001 Goodman et al. D8/372
D461,706 S * 8/2002 Goodman et al. D8/372

1 Claim, 2 Drawing Sheets



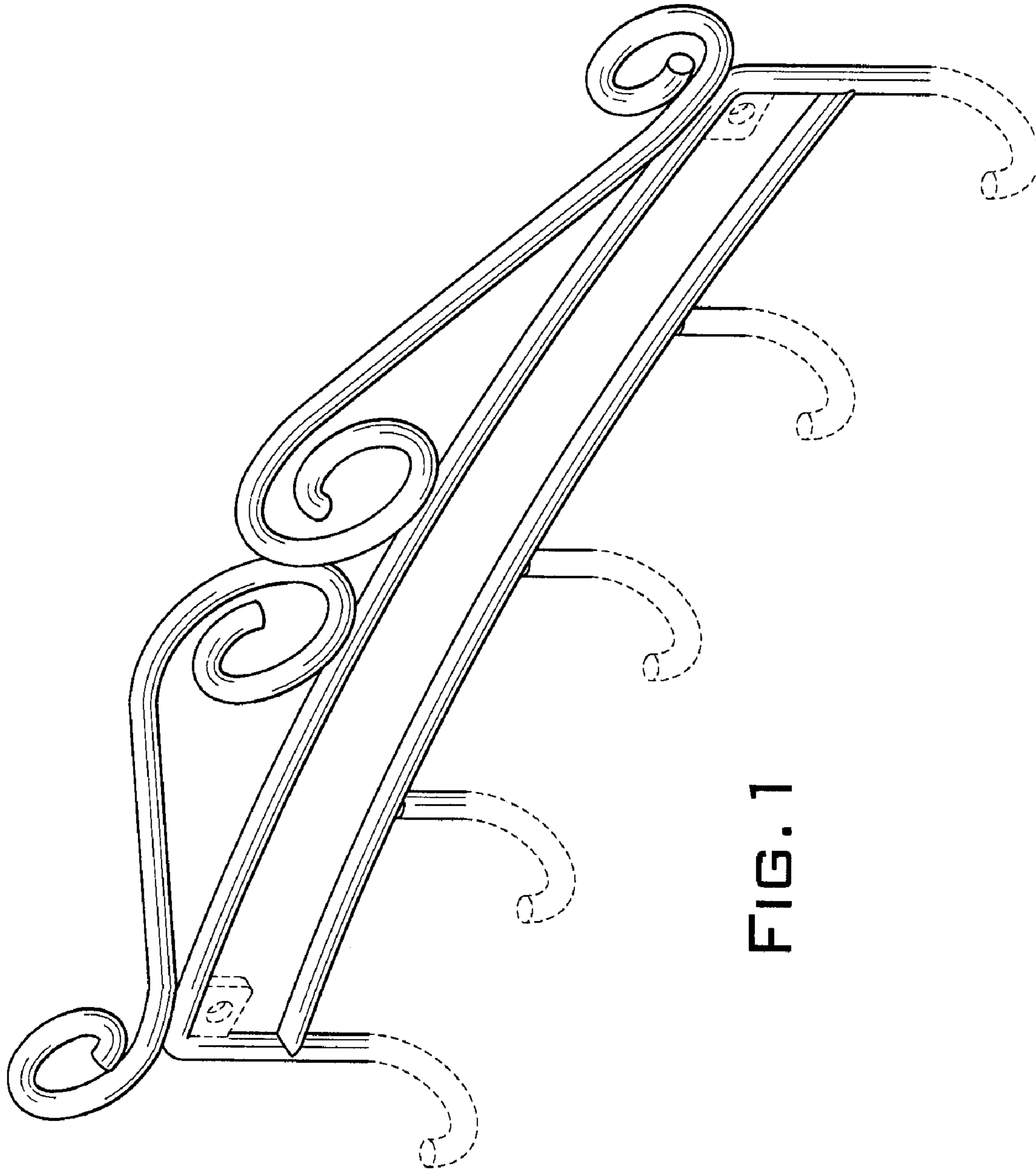


FIG. 1

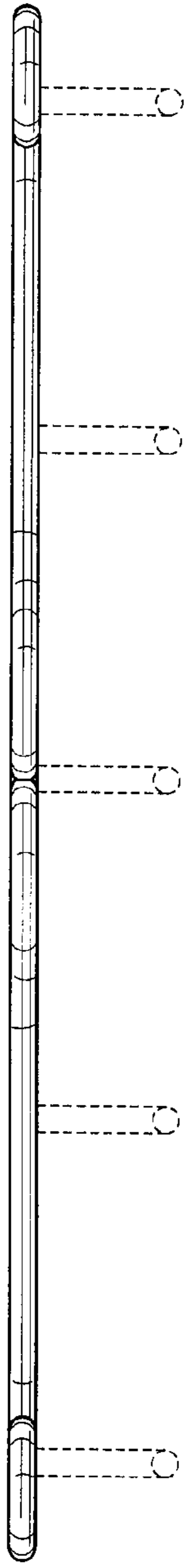


FIG. 4

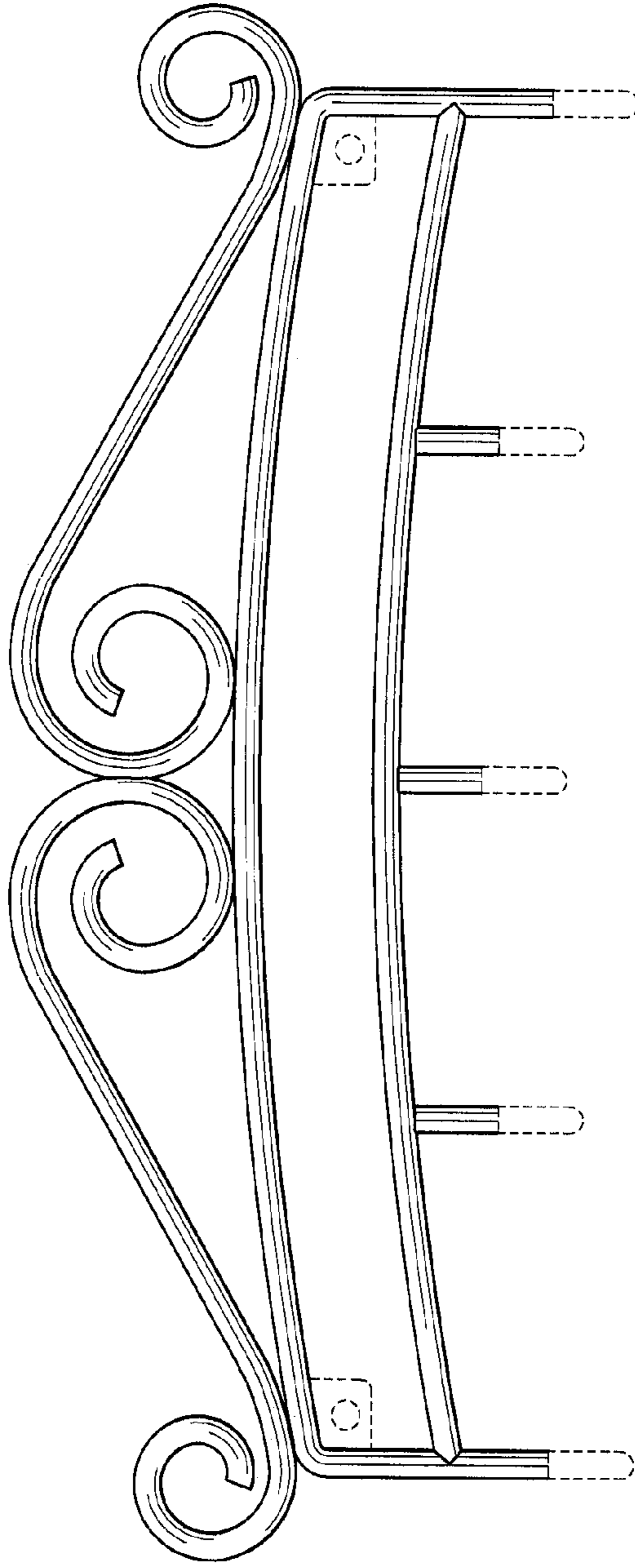


FIG. 2

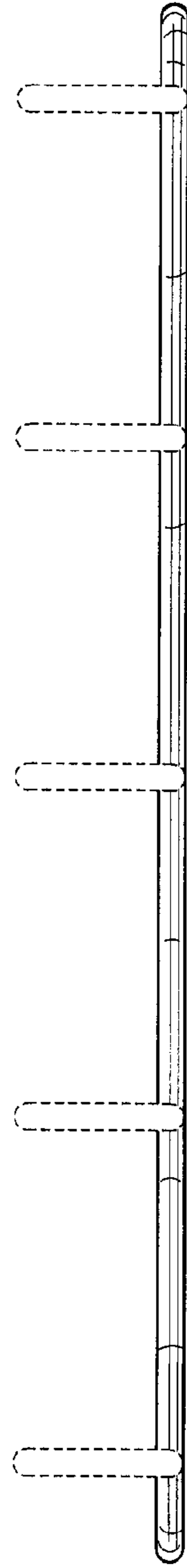


FIG. 5

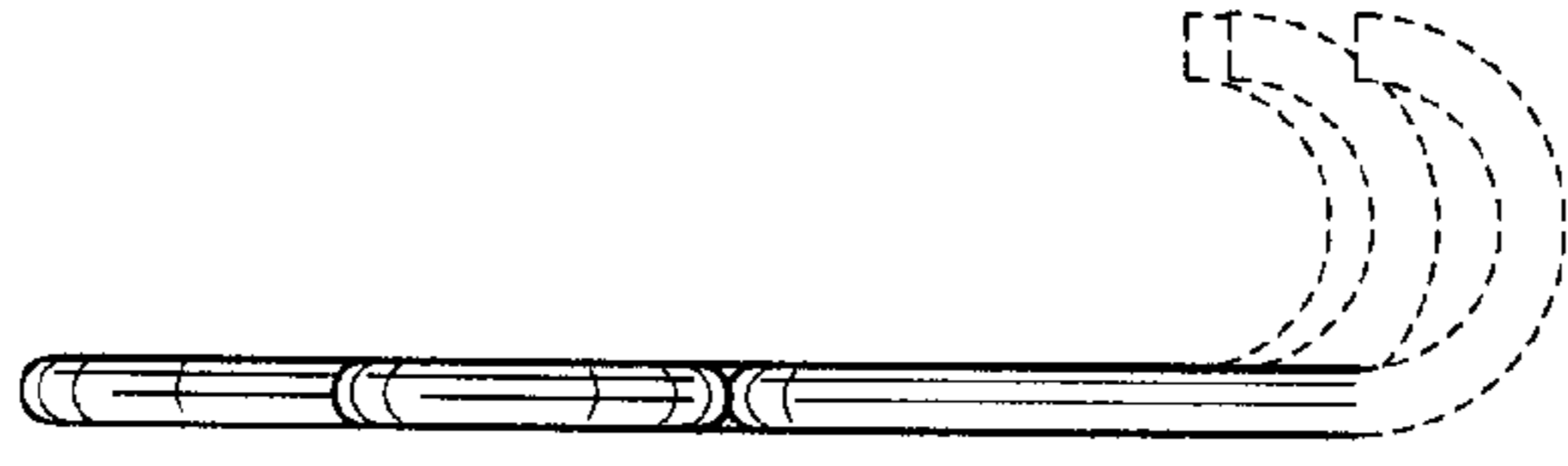


FIG. 3