



US00D575972S

(12) **United States Design Patent**
Shiao

(10) **Patent No.:** **US D575,972 S**

(45) **Date of Patent:** **** Sep. 2, 2008**

(54) **MAGNETIC STORAGE RACK FOR TOOLS AND PARTS**

D340,610 S * 10/1993 Hubbard D6/567
D416,738 S * 11/1999 Bergman D6/567
D442,814 S * 5/2001 Sterling et al. D6/553

(76) **Inventor:** **Hsuan-Sen Shiao**, No. 55, Cheng-Feng Lane, Tai-Ming Rd., Wu-Jih Hsiang, Taichung Hsien (TW)

* cited by examiner

Primary Examiner—Brian N Vinson

(74) *Attorney, Agent, or Firm*—Marger Johnson & McCollom, PC

(**) **Term:** **14 Years**

(21) **Appl. No.:** **29/284,131**

(57) **CLAIM**

(22) **Filed:** **Aug. 31, 2007**

The ornamental design for magnetic storage rack for tools and parts, as shown and described.

(51) **LOC (8) Cl.** **06-04**

(52) **U.S. Cl.** **D6/567**

(58) **Field of Classification Search** D6/553,
D6/567, 574, 512, 524; 211/13.1, 60.1, 60.9,
211/69.1, 69.5, 70.1, 70.6, 71.01; 248/309.1,
248/309.2, 310, 314

See application file for complete search history.

DESCRIPTION

FIG. 1 is a perspective view of magnetic storage rack for tools and parts showing my new design;

FIG. 2 is a front elevational view thereof;

FIG. 3 is a rear elevational view thereof;

FIG. 4 is a left side elevational view thereof;

FIG. 5 is a right side elevational view thereof;

FIG. 6 is a top plan view thereof; and,

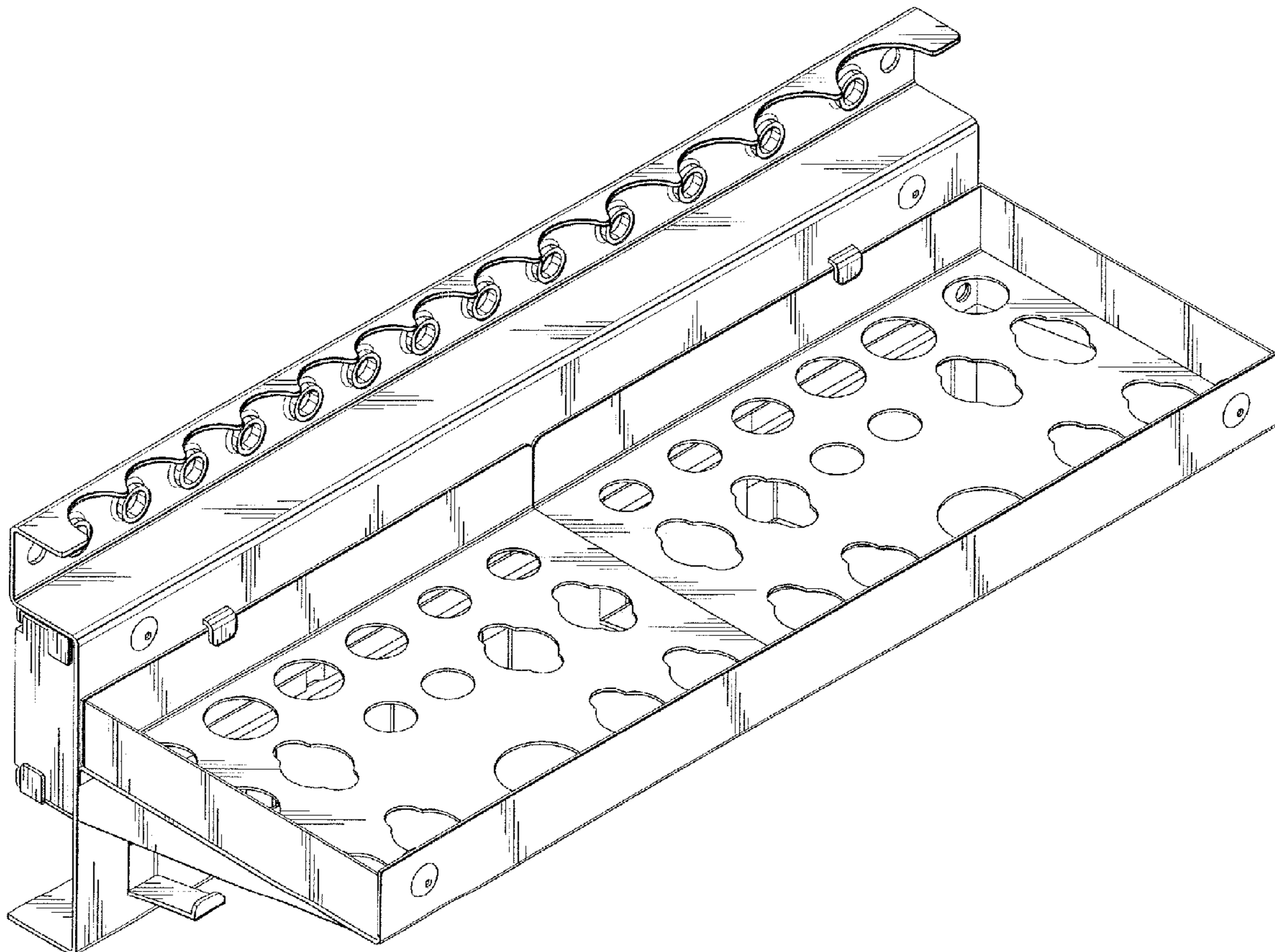
FIG. 7 is a bottom plan view thereof.

(56) **References Cited**

U.S. PATENT DOCUMENTS

D188,221 S * 6/1960 Maro D6/574
4,880,122 A * 11/1989 Martindell 211/70.6
D323,245 S * 1/1992 Hobson D6/553
D334,861 S * 4/1993 Cheng D6/553

1 Claim, 6 Drawing Sheets



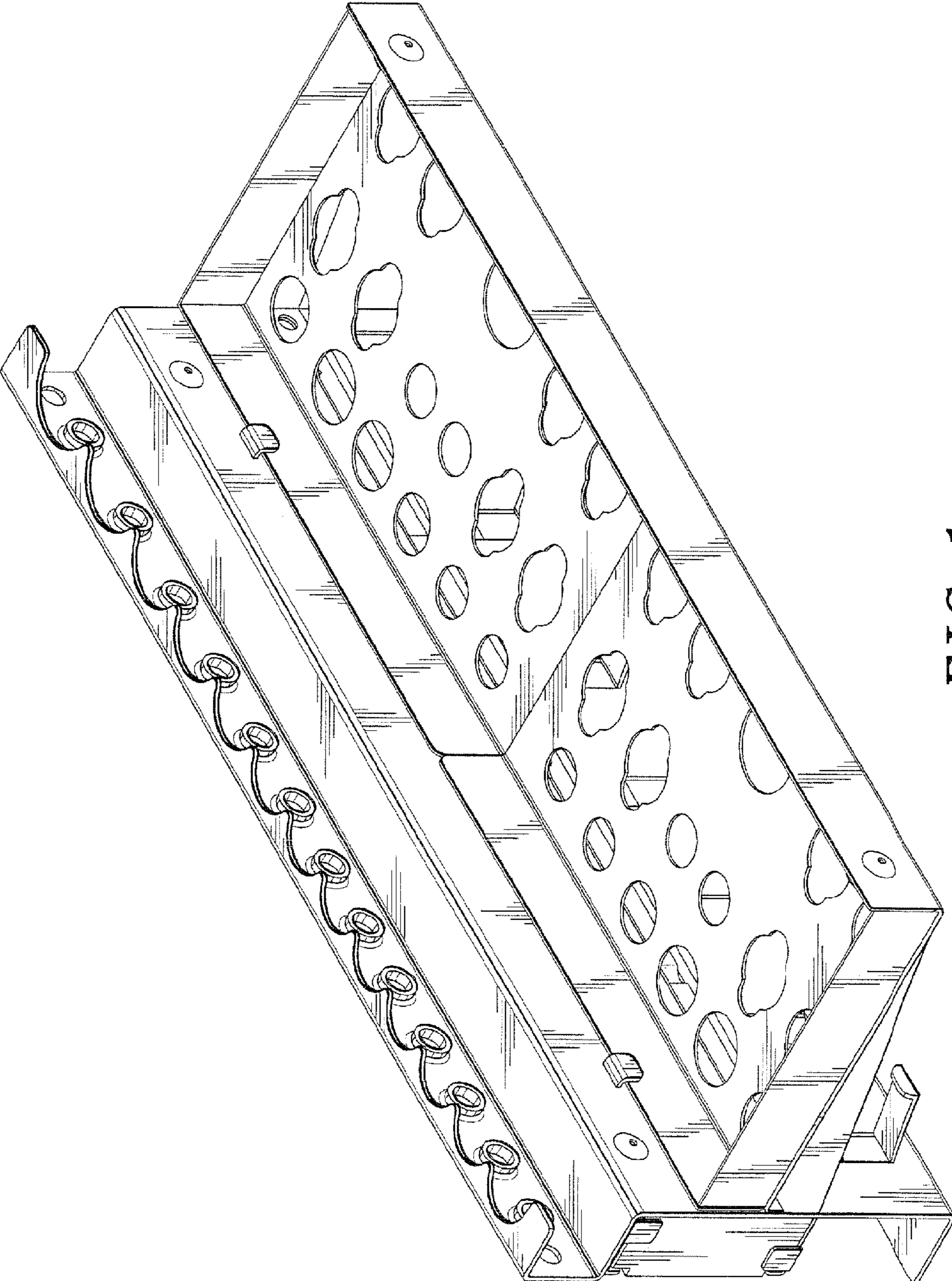


FIG. 1

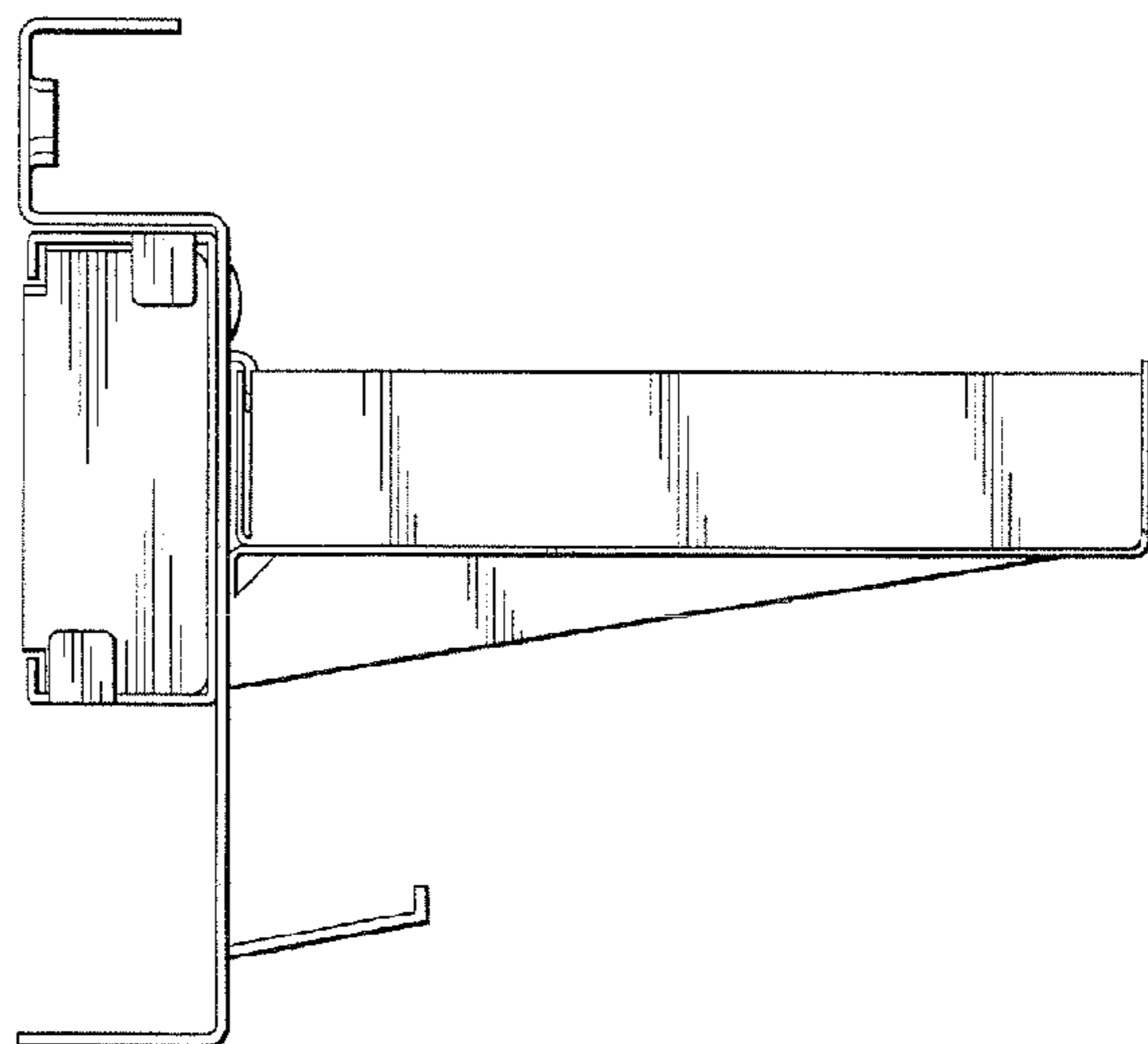


FIG. 2

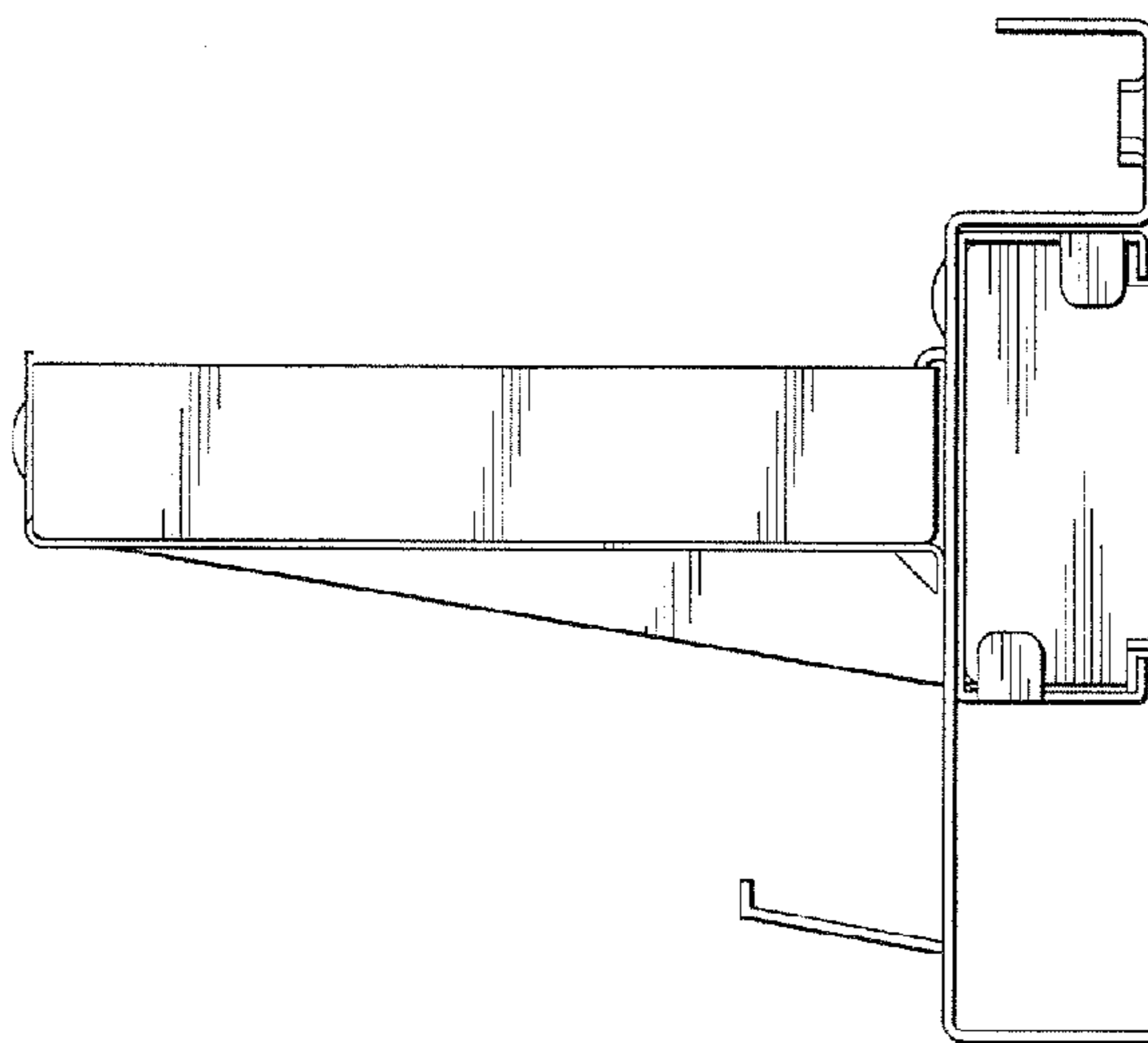


FIG. 3

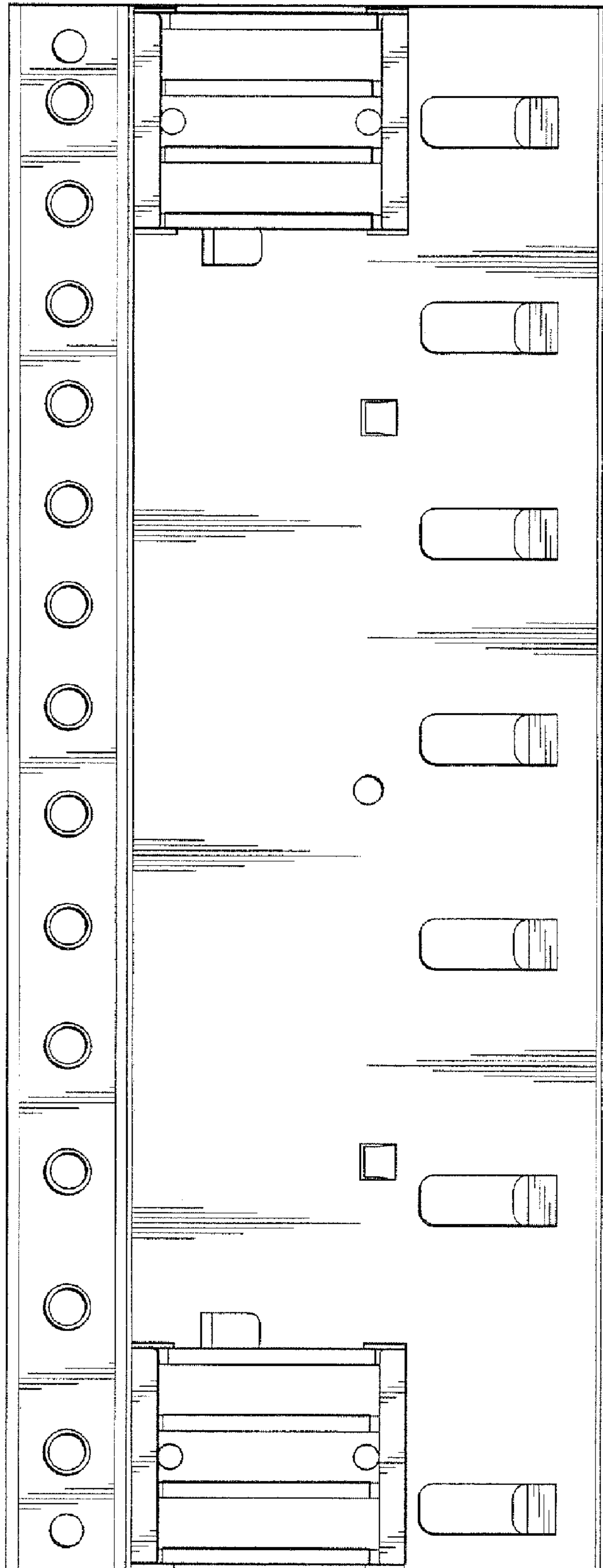


FIG. 4

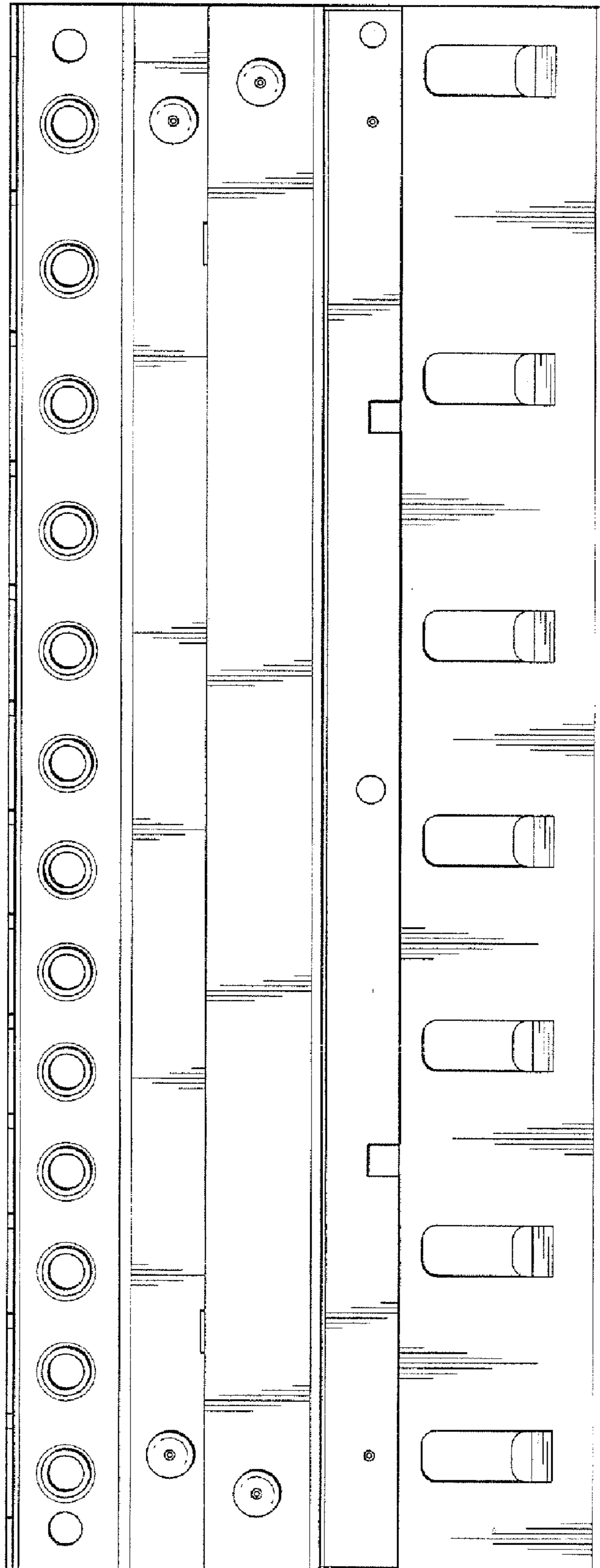


FIG. 5

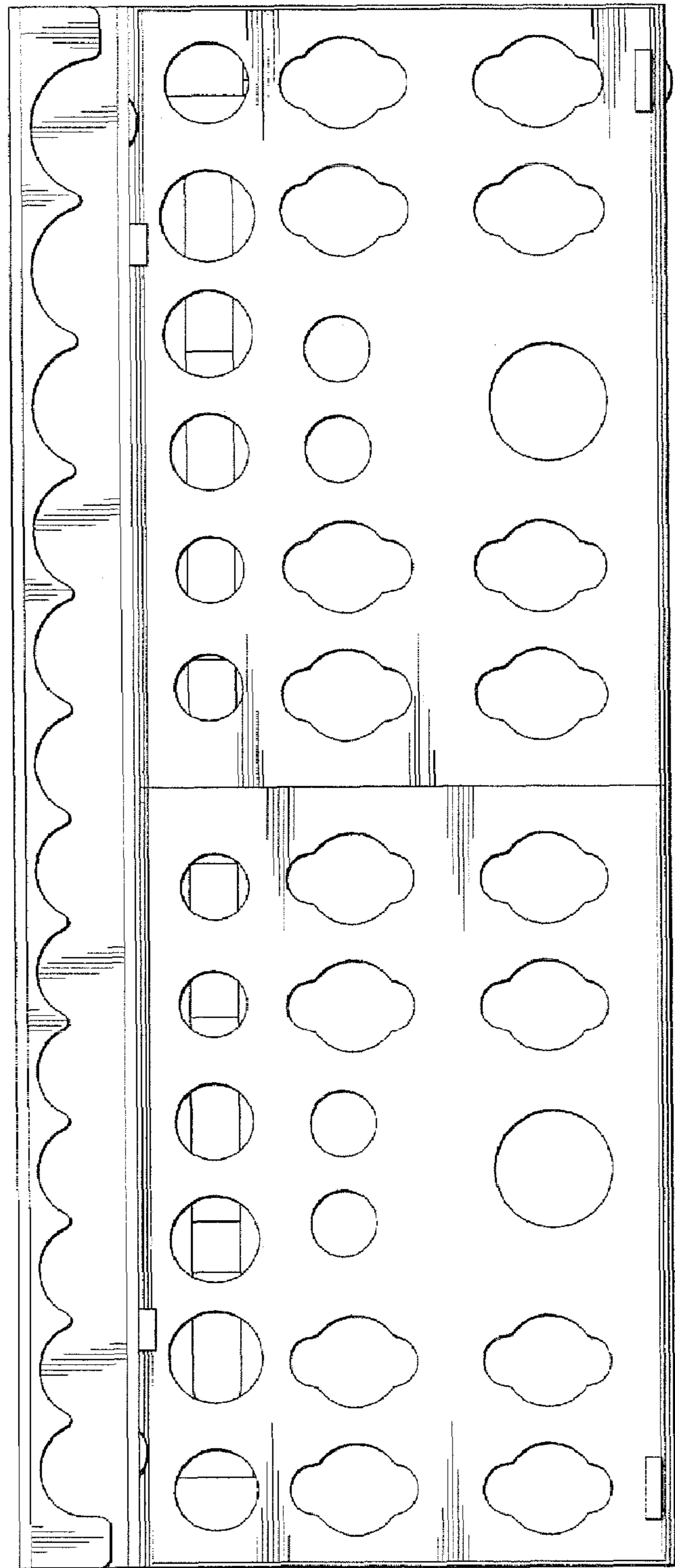


FIG. 6

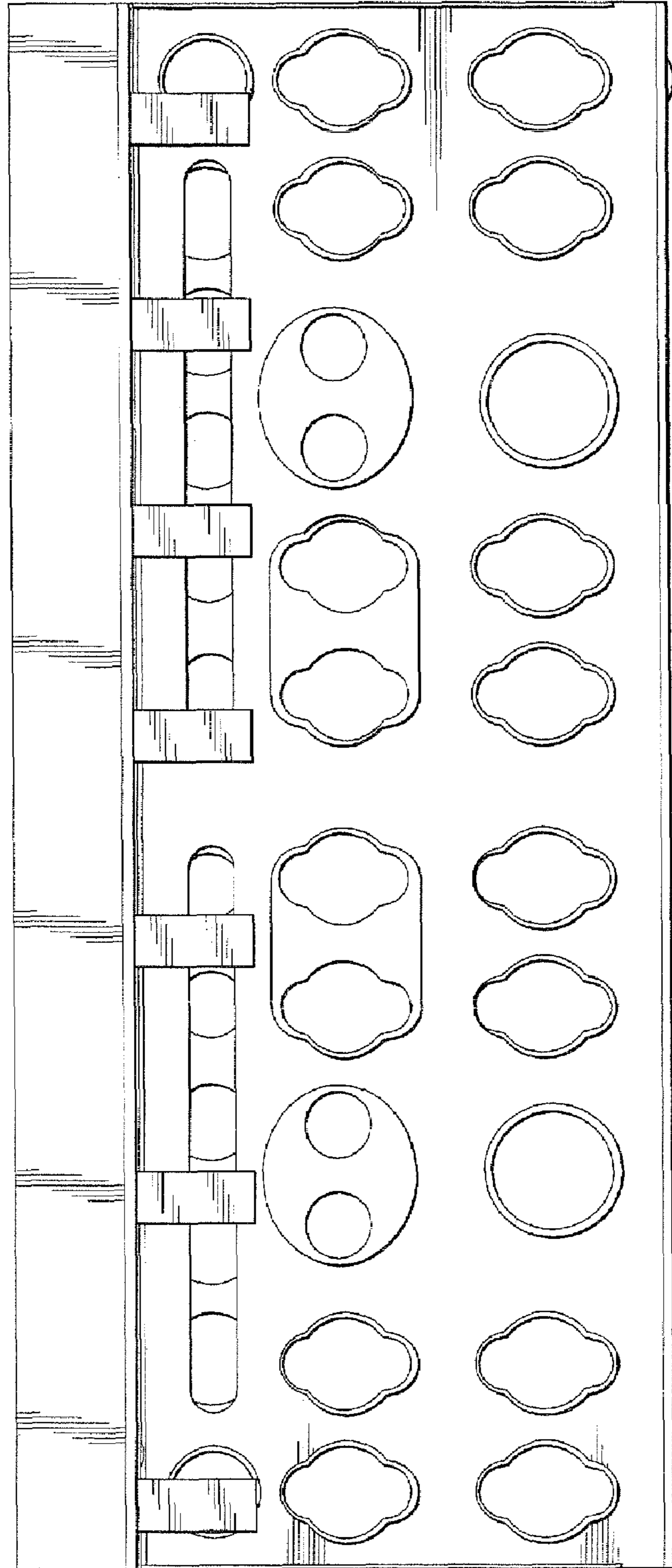


FIG. 7