



US00D575969S

(12) **United States Design Patent**
Su

(10) **Patent No.:** **US D575,969 S**

(45) **Date of Patent:** **** Sep. 2, 2008**

(54) **CHAIR BACKREST**

(76) Inventor: **Tung-Hua Su**, No. 6, Sec. 3, Bao Ta Road, Kuwi Jen Hsiang, Tainan Hsien (TW) 711

(**) Term: **14 Years**

(21) Appl. No.: **29/282,478**

(22) Filed: **Jul. 20, 2007**

(51) **LOC (8) Cl.** **06-01**

(52) **U.S. Cl.** **D6/502; D6/366**

(58) **Field of Classification Search** D6/334-336, D6/364, 365, 366, 367, 369, 379, 380, 500-502; 297/284.4, 300.2, 411.27, 411.36, 452.29, 297/452.46, 452.64

See application file for complete search history.

(56) **References Cited**

U.S. PATENT DOCUMENTS

D417,792 S *	12/1999	Hansen et al.	D6/366
D456,159 S *	4/2002	Ball et al.	D6/366
D456,650 S *	5/2002	Ball et al.	D6/502
D457,023 S *	5/2002	Ball et al.	D6/502
D471,042 S *	3/2003	Schmitz et al.	D6/502

D471,370 S *	3/2003	Schmitz et al.	D6/366
D490,994 S *	6/2004	Schmitz et al.	D6/366
D494,792 S *	8/2004	Schmitz et al.	D6/502
D506,893 S *	7/2005	Hsien	D6/502
D544,720 S *	6/2007	Berbegal Perez	D6/366

* cited by examiner

Primary Examiner—Mimosa De

(74) *Attorney, Agent, or Firm*—Banger Shia

(57) **CLAIM**

The ornamental design for a chair backrest, as shown.

DESCRIPTION

FIG. 1 is a perspective view of a chair backrest showing my new design;

FIG. 2 is a front elevation view thereof;

FIG. 3 is a rear elevation view thereof;

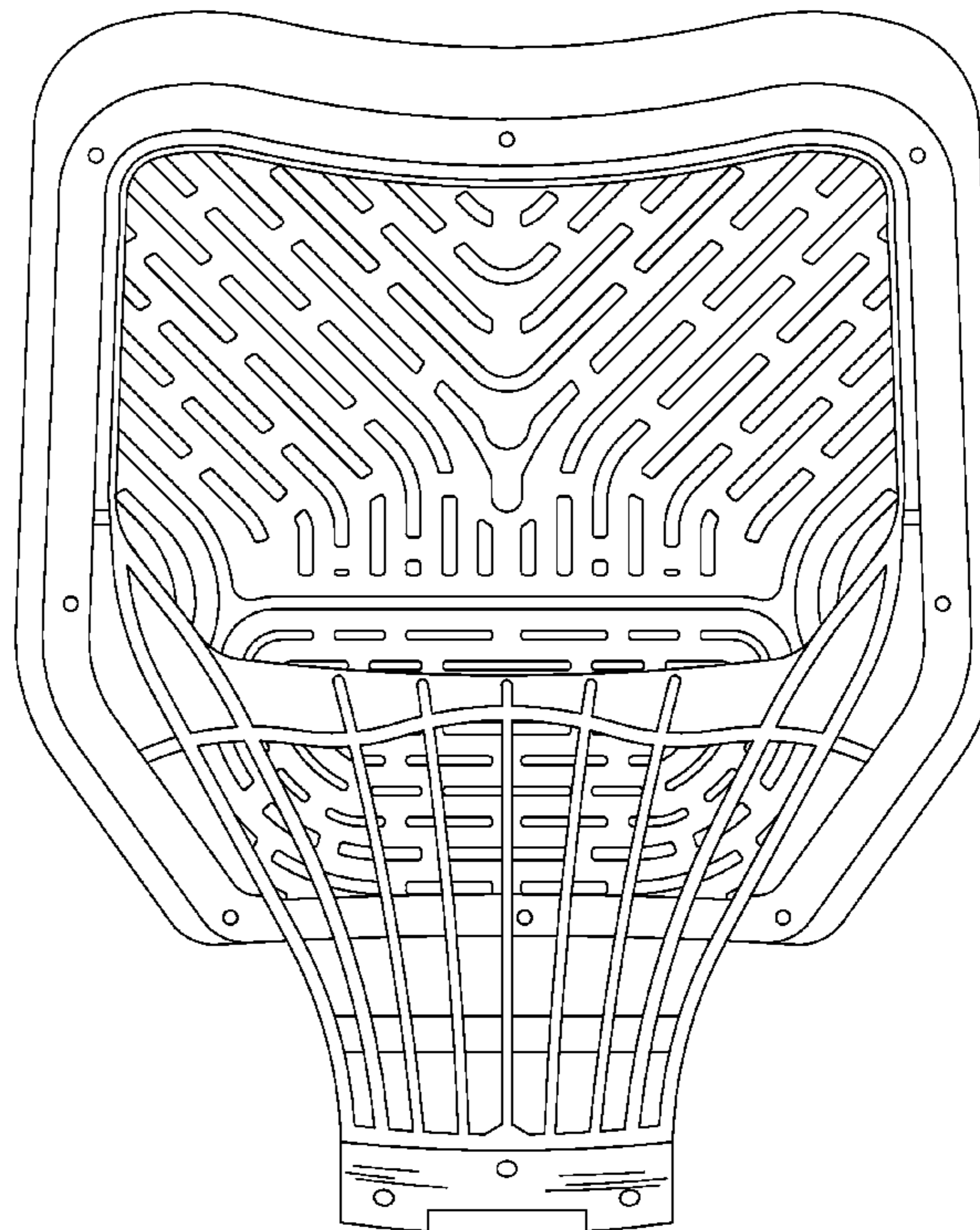
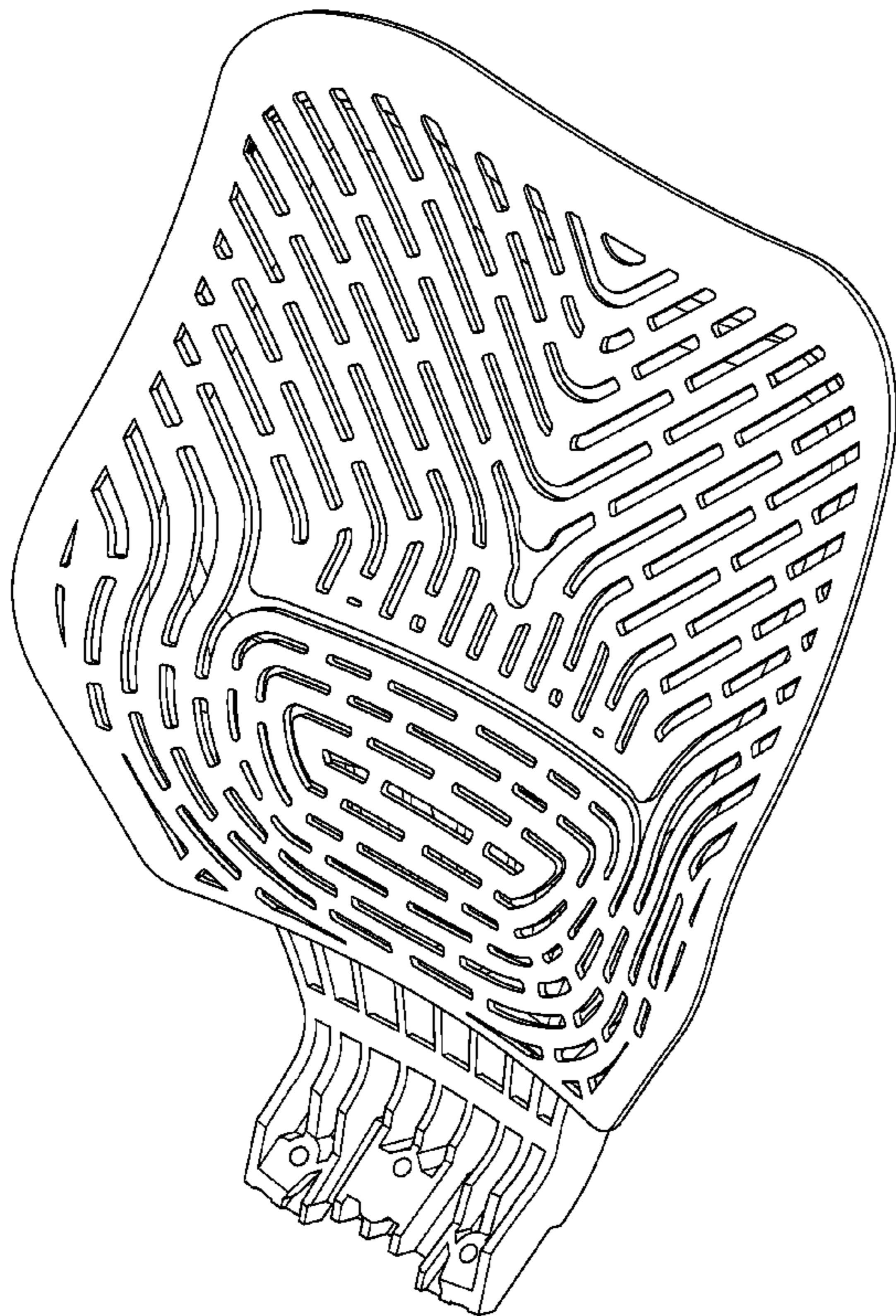
FIG. 4 is a left side elevation view thereof;

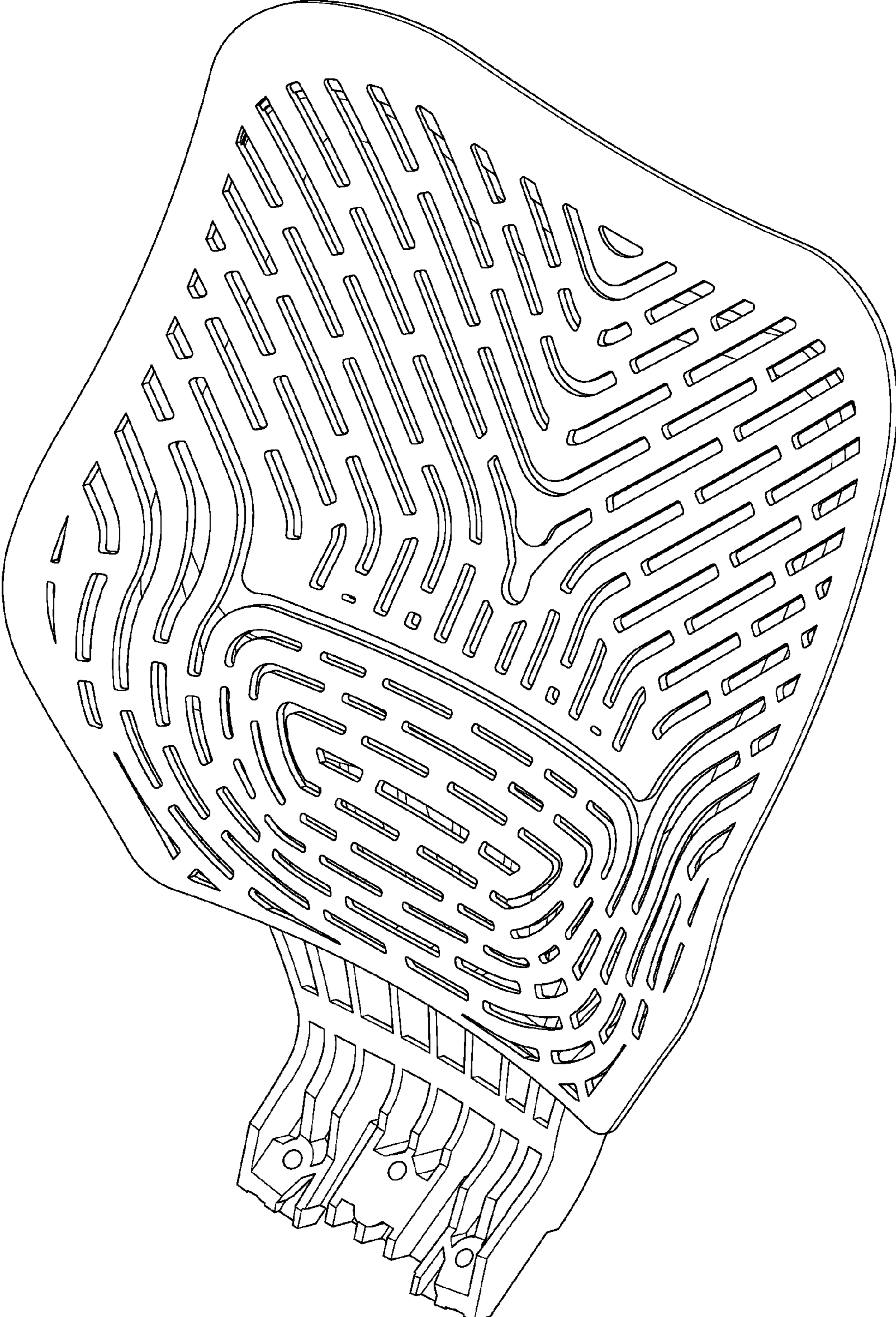
FIG. 5 is a right side elevation view thereof;

FIG. 6 is a top plan view thereof; and,

FIG. 7 is a bottom plan view.

1 Claim, 6 Drawing Sheets





F I G . 1

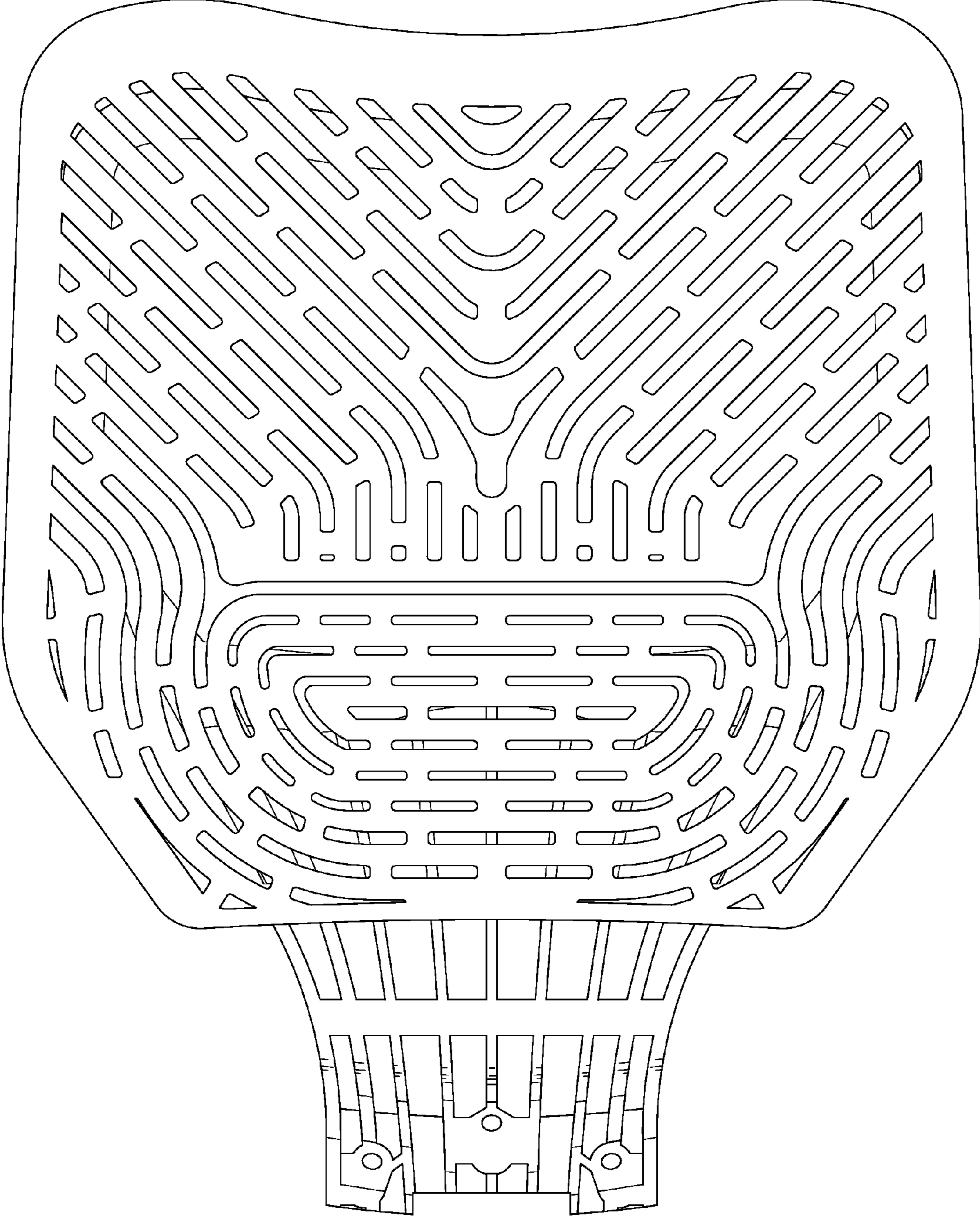
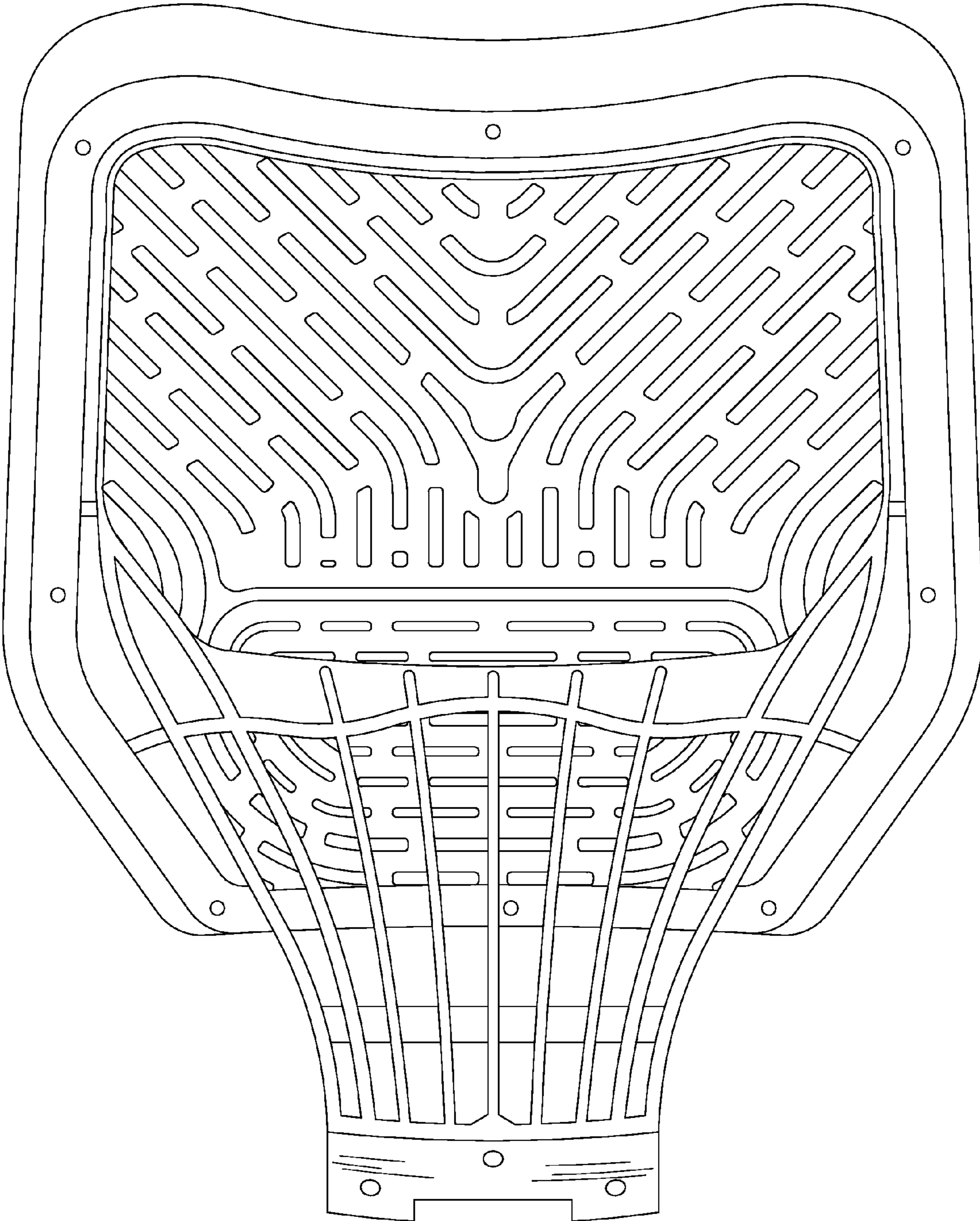
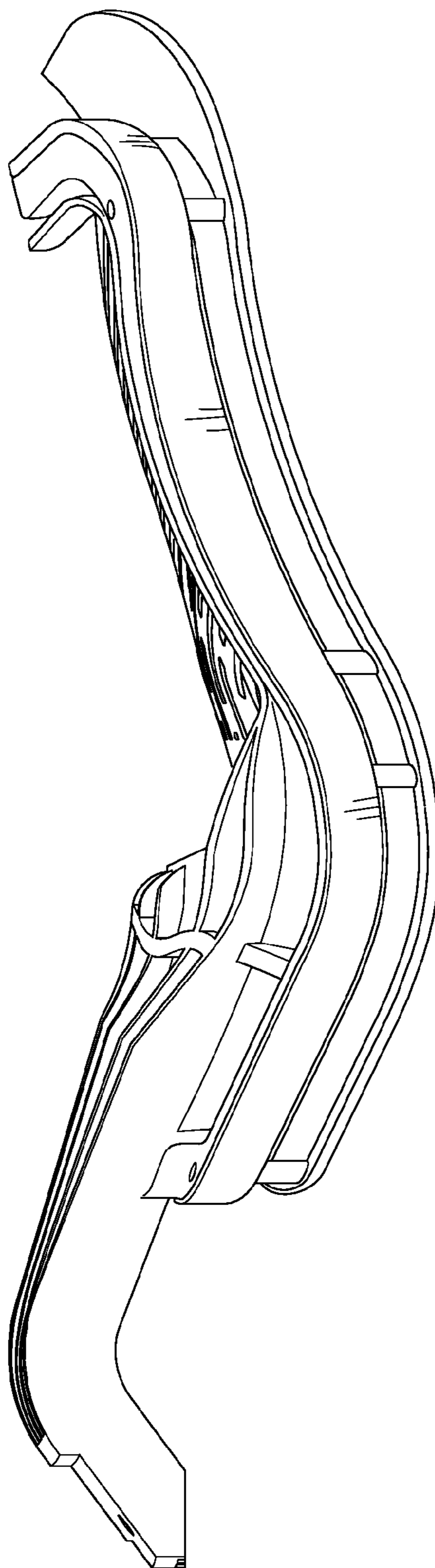


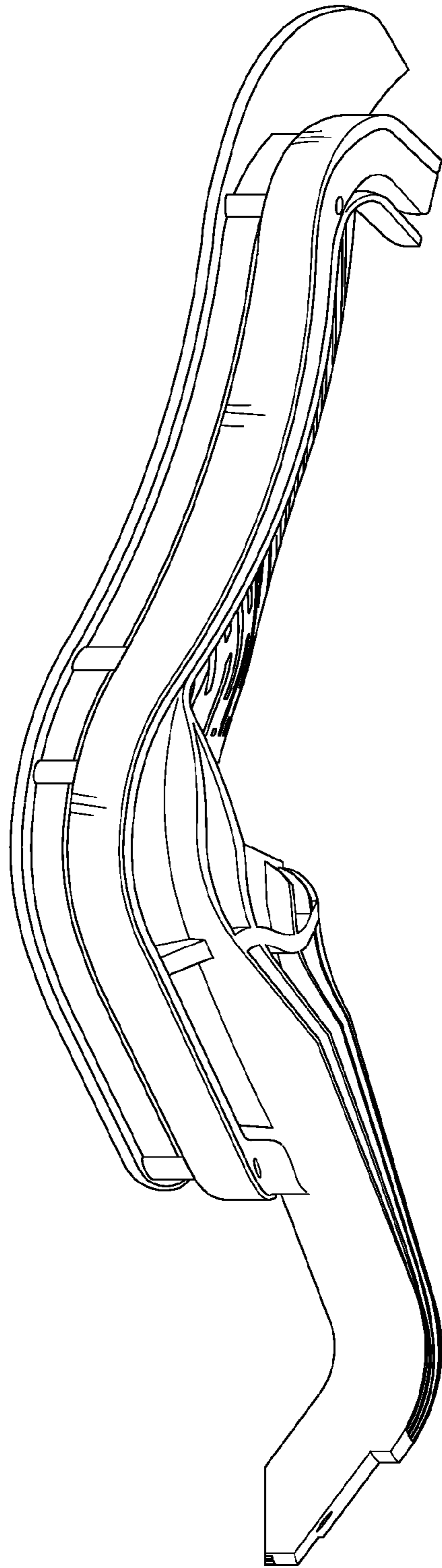
FIG. 2



F I G . 3



F I G . 4



F I G . 5

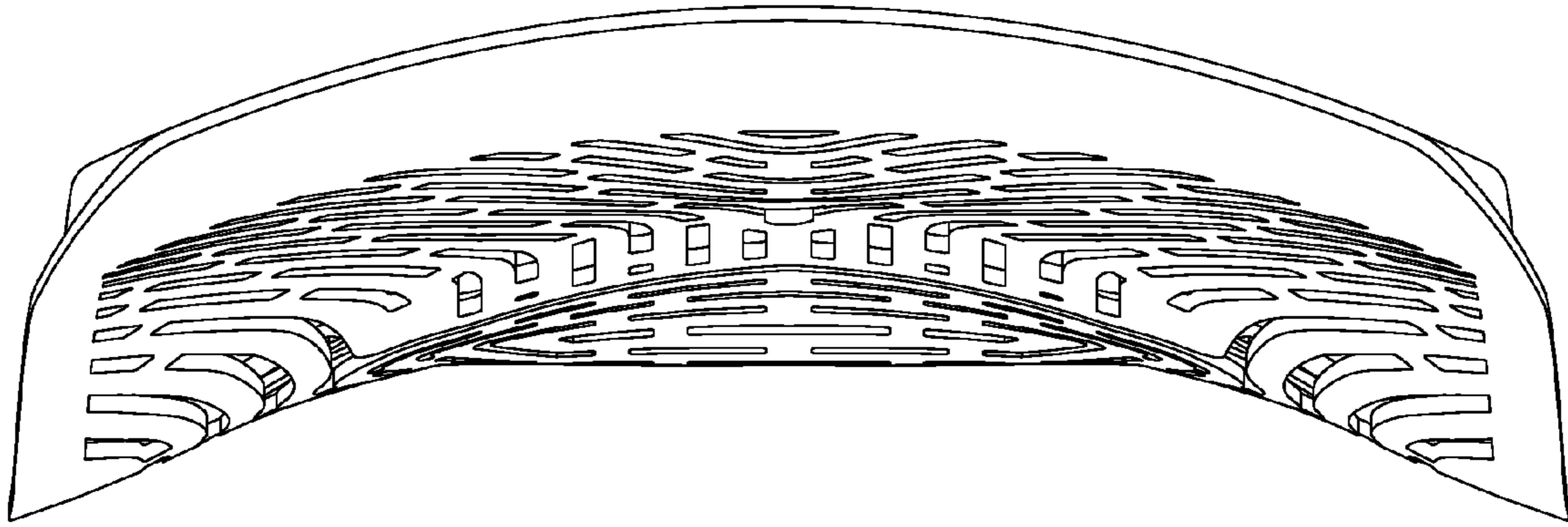


FIG. 6

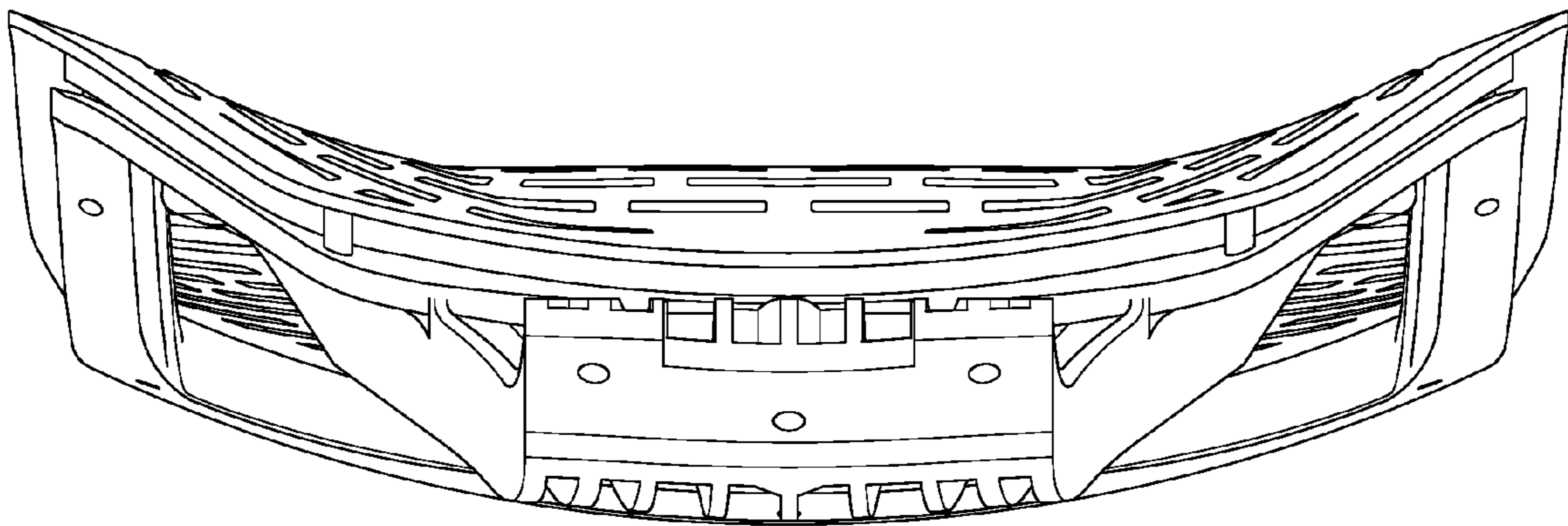


FIG. 7