

US00D575965S

(12) **United States Design Patent**  
**Weldon**

(10) **Patent No.:** **US D575,965 S**  
(45) **Date of Patent:** **\*\* Sep. 2, 2008**

(54) **TOY CHEST**

(75) Inventor: **Barney T. Weldon**, Crescent, OK (US)

(73) Assignee: **Wee-Boos, L.L.C.**, Crescent, OK (US)

(\*\*) Term: **14 Years**

(21) Appl. No.: **29/295,935**

(22) Filed: **Oct. 10, 2007**

(51) **LOC (8) Cl.** ..... **06-04**

(52) **U.S. Cl.** ..... **D6/434**

(58) **Field of Classification Search** ..... D6/351,  
D6/432, 434, 440, 450, 518; 312/114, 204,  
312/224, 237, 257.1; D3/271.9; D9/668;  
D14/489, 403; D19/82; D21/519; D25/7,  
D25/10; D99/30, 37; 206/457; 446/73  
See application file for complete search history.

(56) **References Cited**

**U.S. PATENT DOCUMENTS**

D44,625 S *	9/1913	De Yoos	.....	D19/82
D145,800 S	10/1946	House, Jr.		
D208,314 S *	8/1967	Guerreo, Sr.	.....	D99/37
D223,940 S *	6/1972	Whitworth	.....	D99/37
D245,866 S *	9/1977	Schuldenfrei et al.	.....	D25/10
D282,032 S	1/1986	Lemmeyer		
D291,562 S	8/1987	Lee		
D292,991 S *	12/1987	Adler	.....	D19/82
D304,262 S *	10/1989	Mays	.....	D3/271.9
D321,294 S	11/1991	Ross		
D329,539 S *	9/1992	Klien et al.	.....	D3/271.9
D340,075 S *	10/1993	Turner	.....	D19/82
D340,078 S	10/1993	Turner		
D346,185 S	4/1994	Francis		
D348,969 S	7/1994	Barbour		
D350,773 S *	9/1994	Lincourt	.....	D19/82
D354,639 S *	1/1995	Stoddard et al.	.....	D6/450
D354,642 S	1/1995	Stoddard et al.		
D357,500 S *	4/1995	Mutterperl	.....	D19/82
D379,875 S	6/1997	Wied et al.		

D389,848 S	1/1998	James		
D397,868 S	9/1998	Huang		
D399,634 S	10/1998	Wilson et al.		
D413,362 S	8/1999	Linder		
D420,003 S	2/2000	Dervish		
D439,551 S	3/2001	Hatt et al.		
6,410,065 B1 *	6/2002	Nottingham et al.	.....	206/457
D466,509 S	12/2002	Li		
D471,554 S *	3/2003	Nybank	.....	D14/403
D494,101 S	8/2004	Zavatski et al.		
D499,152 S	11/2004	Kreisner		
D522,710 S	6/2006	Beacham		
D541,522 S	5/2007	Weldon		
D548,483 S	8/2007	Weldon		
D557,539 S *	12/2007	Pascarella	.....	D6/518
2001/0034177 A1 *	10/2001	Hunn	.....	446/73
2003/0201201 A1 *	10/2003	Cheng	.....	206/457

**OTHER PUBLICATIONS**

The Little Tikes Company, Football Toy Chest (Hudson, OH), for sell on Ebay, closing date Mar. 26, 2005.

\* cited by examiner

*Primary Examiner*—Mimosa De

(74) *Attorney, Agent, or Firm*—Mary M. Lee

(57) **CLAIM**

The ornamental design for a toy chest, as shown and described.

**DESCRIPTION**

FIG. 1 is a frontal perspective view of a toy chest, showing my new design;

FIG. 2 is a top plan view thereof;

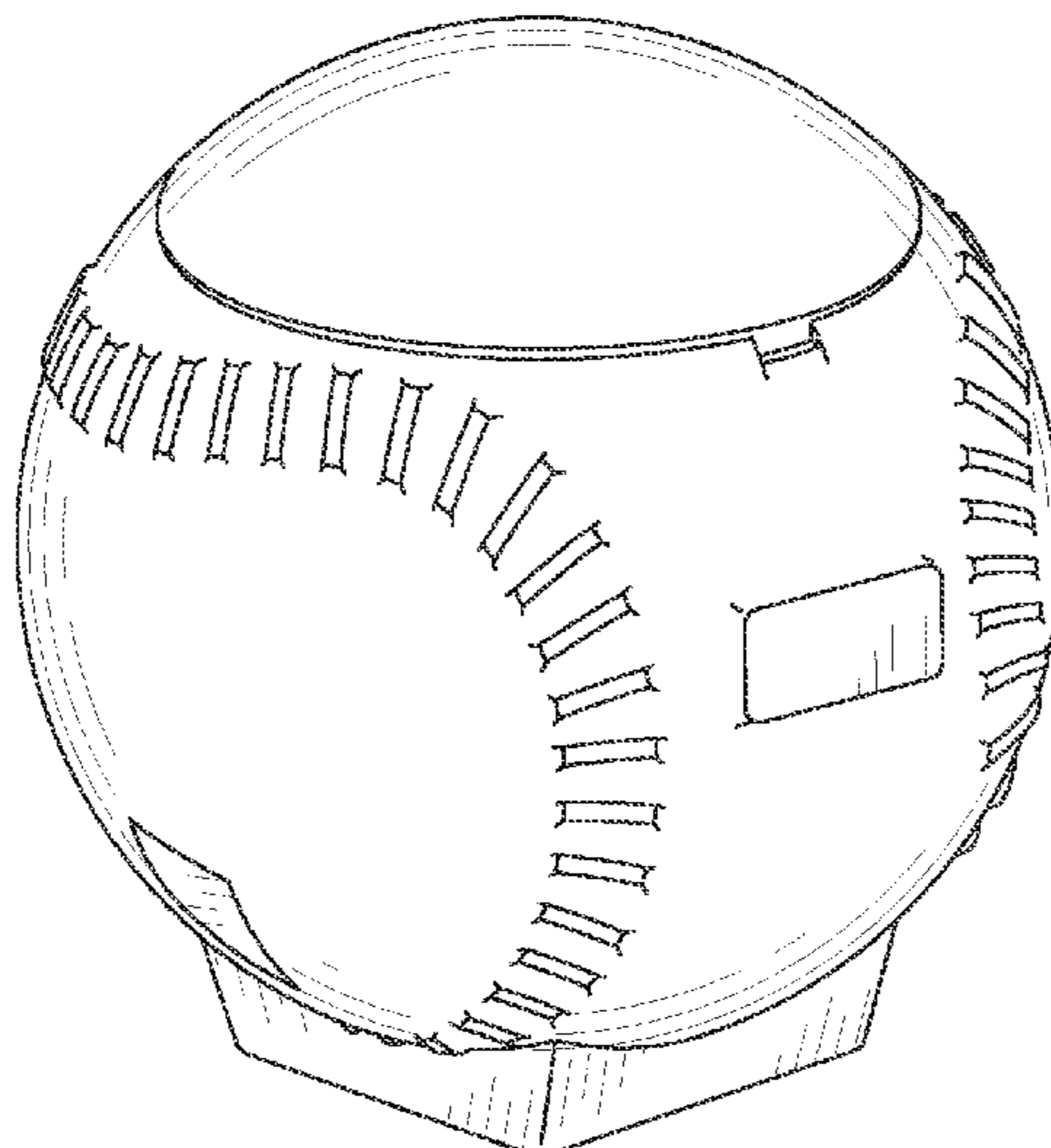
FIG. 3 is a bottom plan view of thereof;

FIG. 4 is a side elevational view of the toy chest, the other side being a mirror image thereof;

FIG. 5 is a front elevational view of the toy chest; and,

FIG. 6 is a rear elevational view of the toy chest.

**1 Claim, 3 Drawing Sheets**



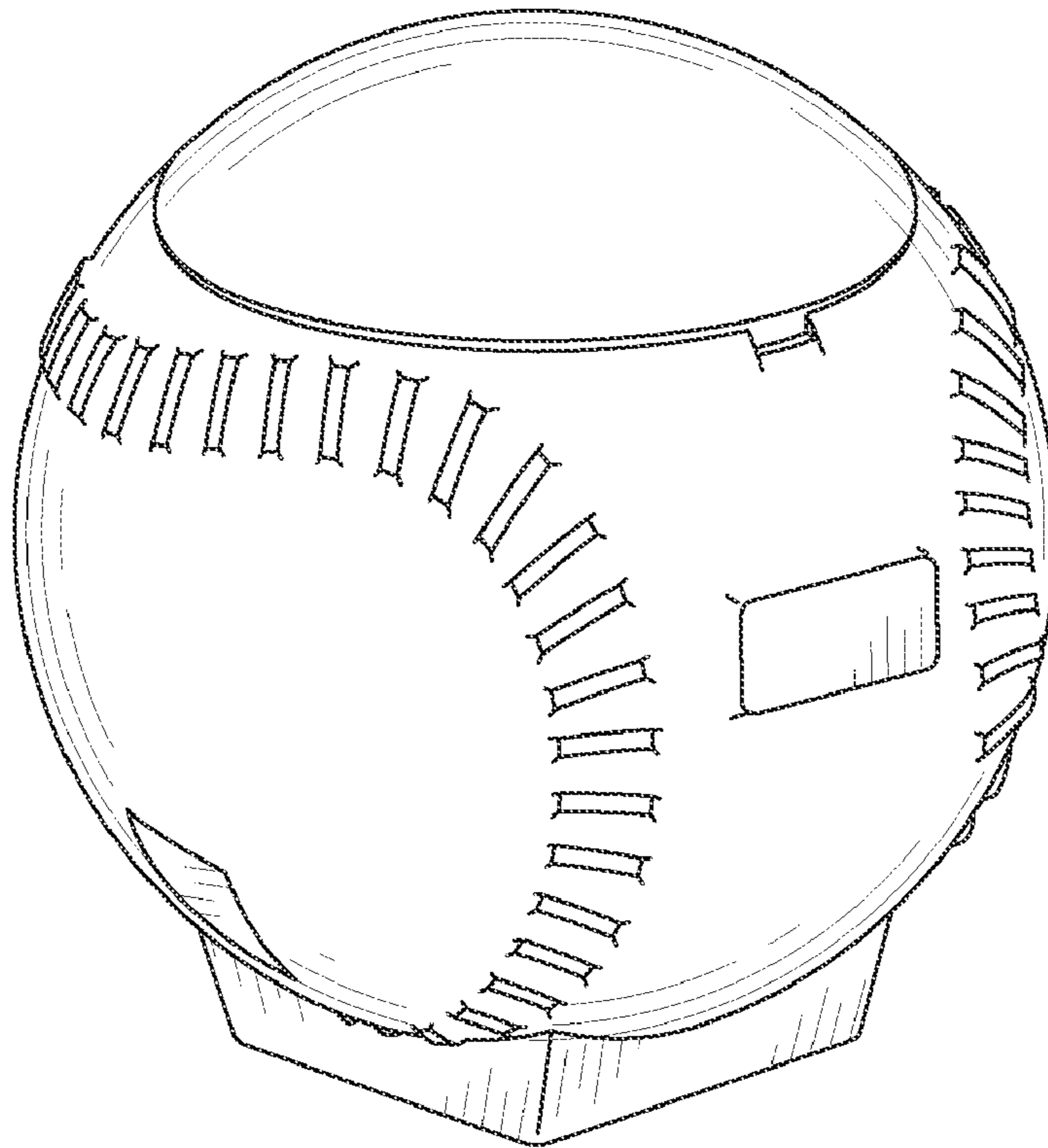


FIG. 1

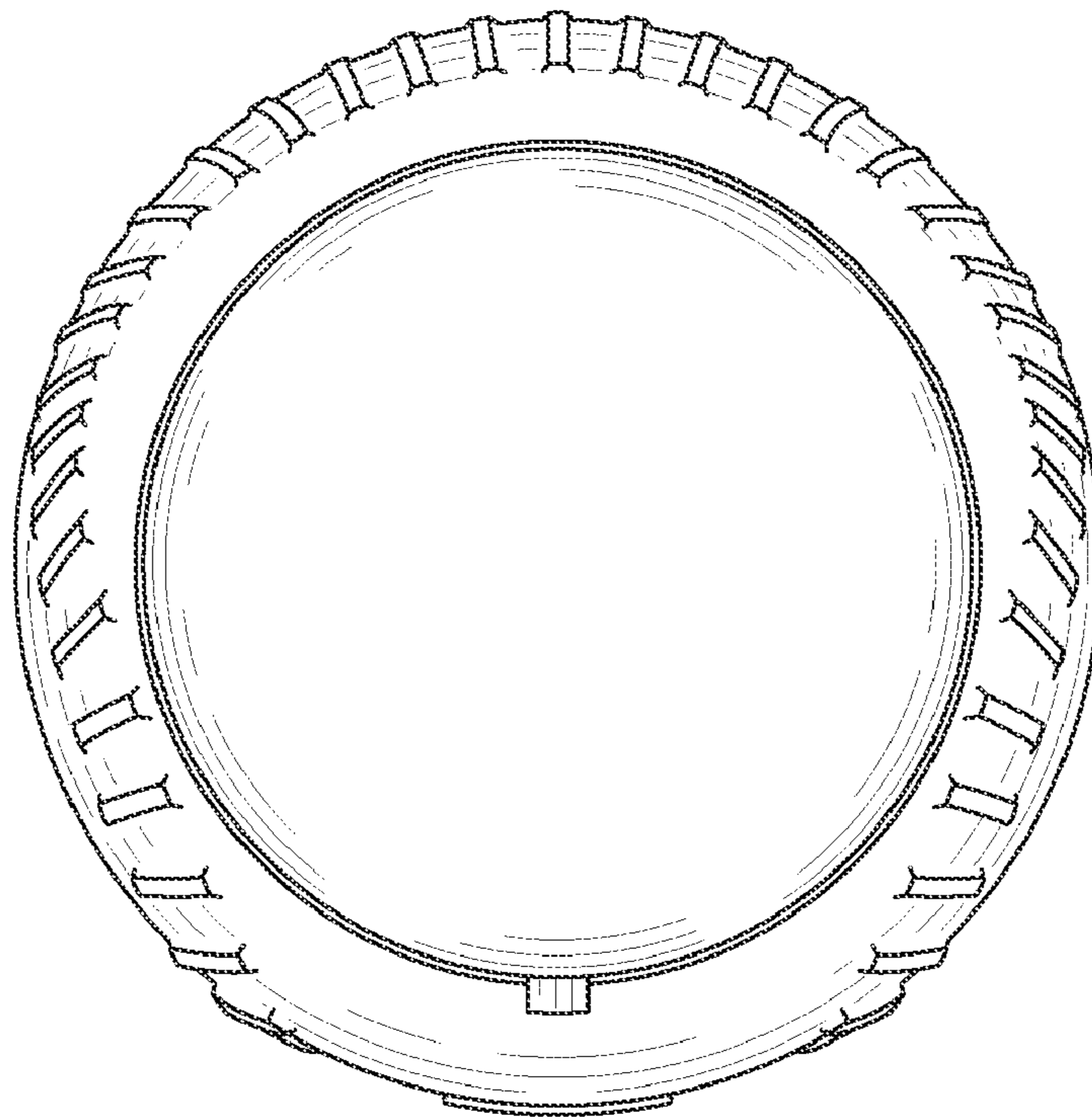


FIG. 2

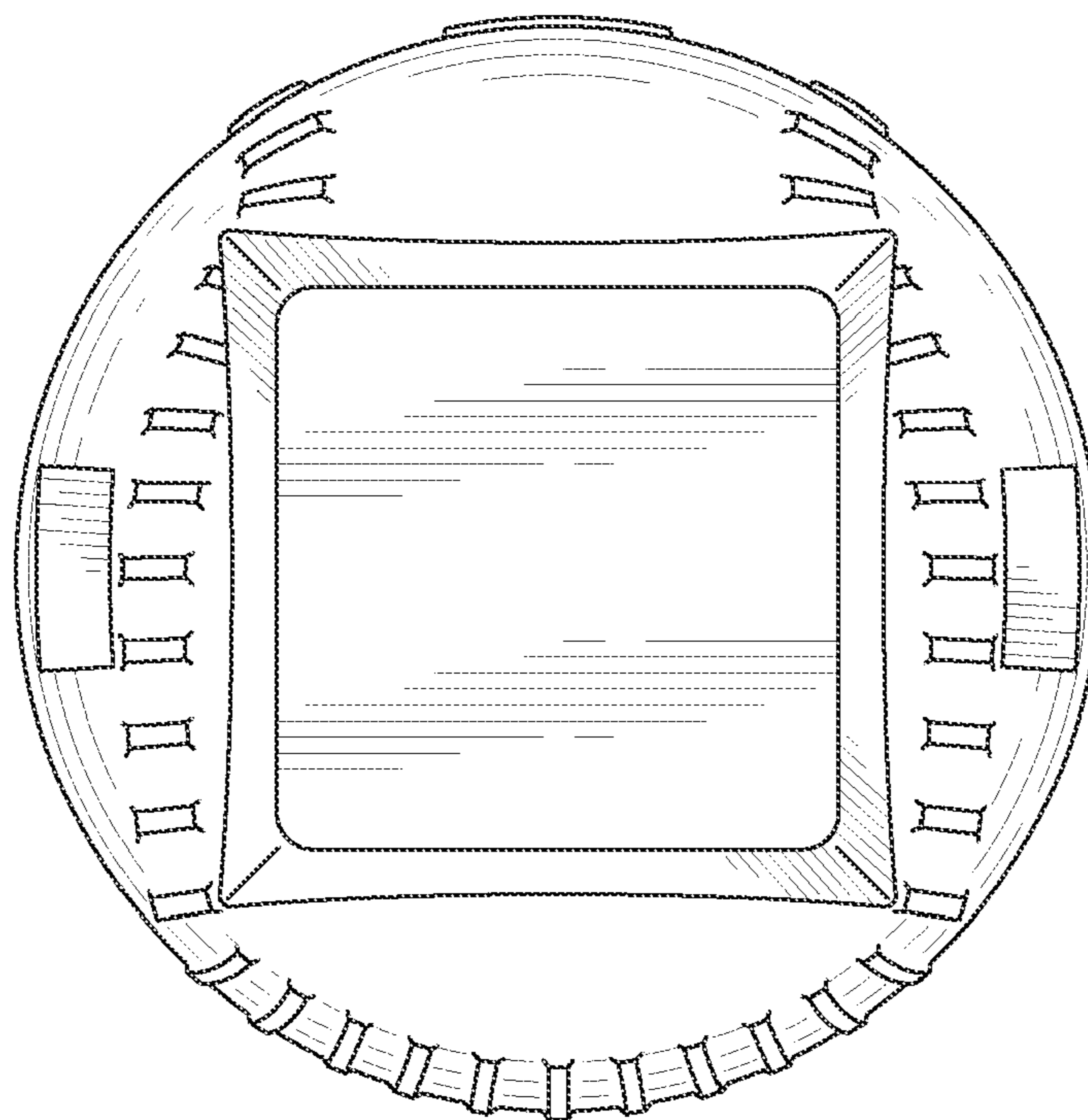


FIG. 3

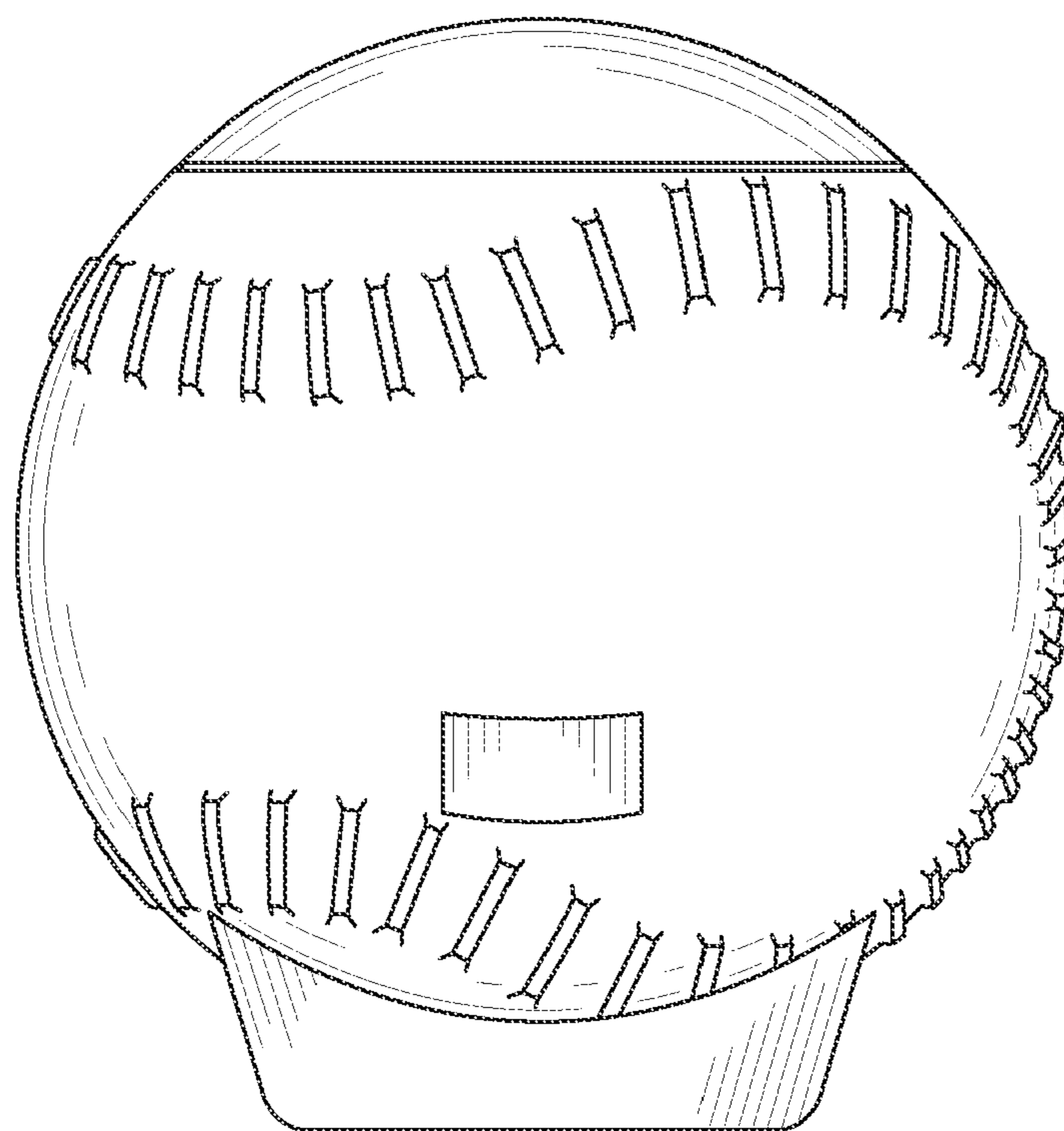


FIG. 4

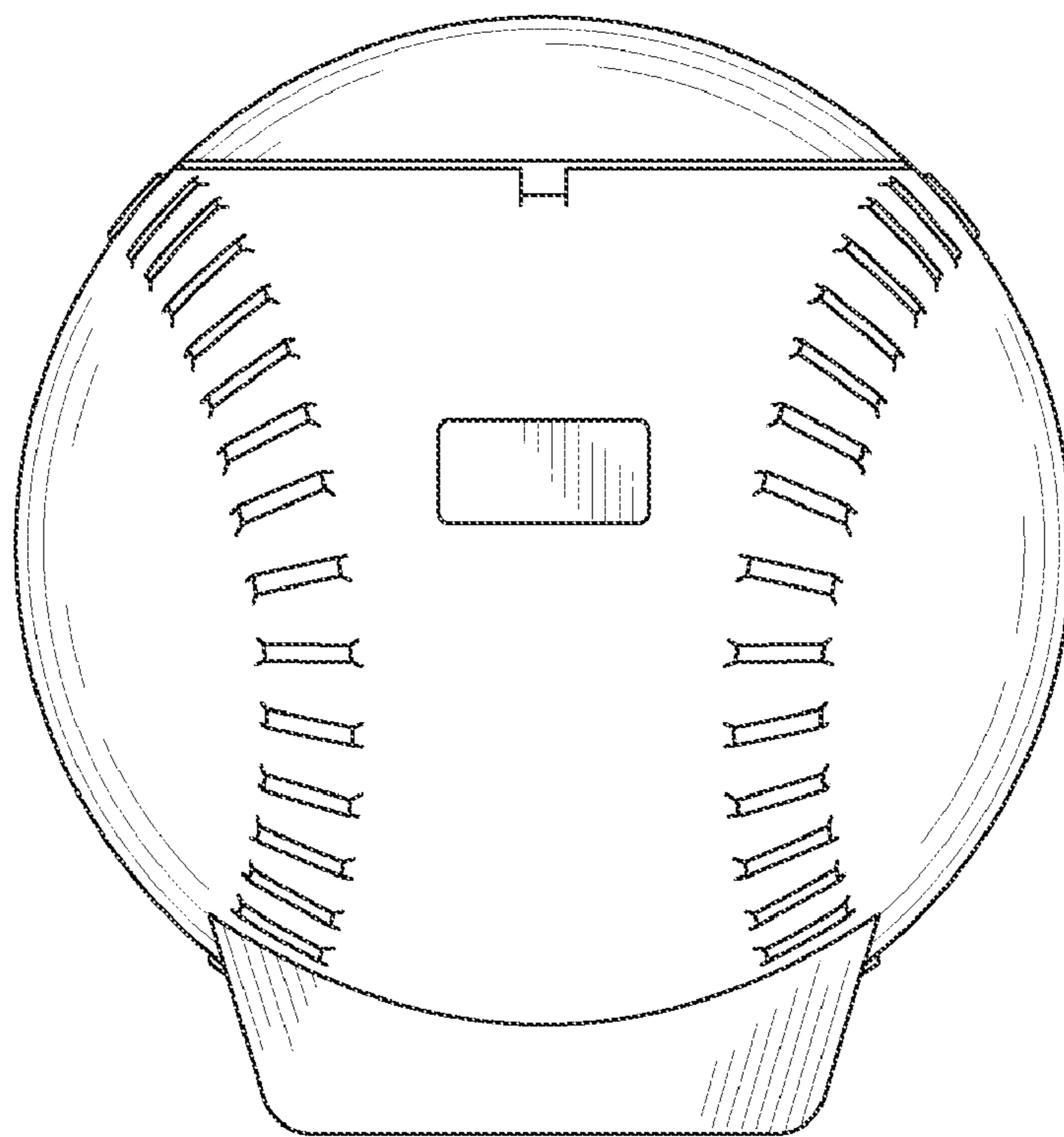


FIG. 5

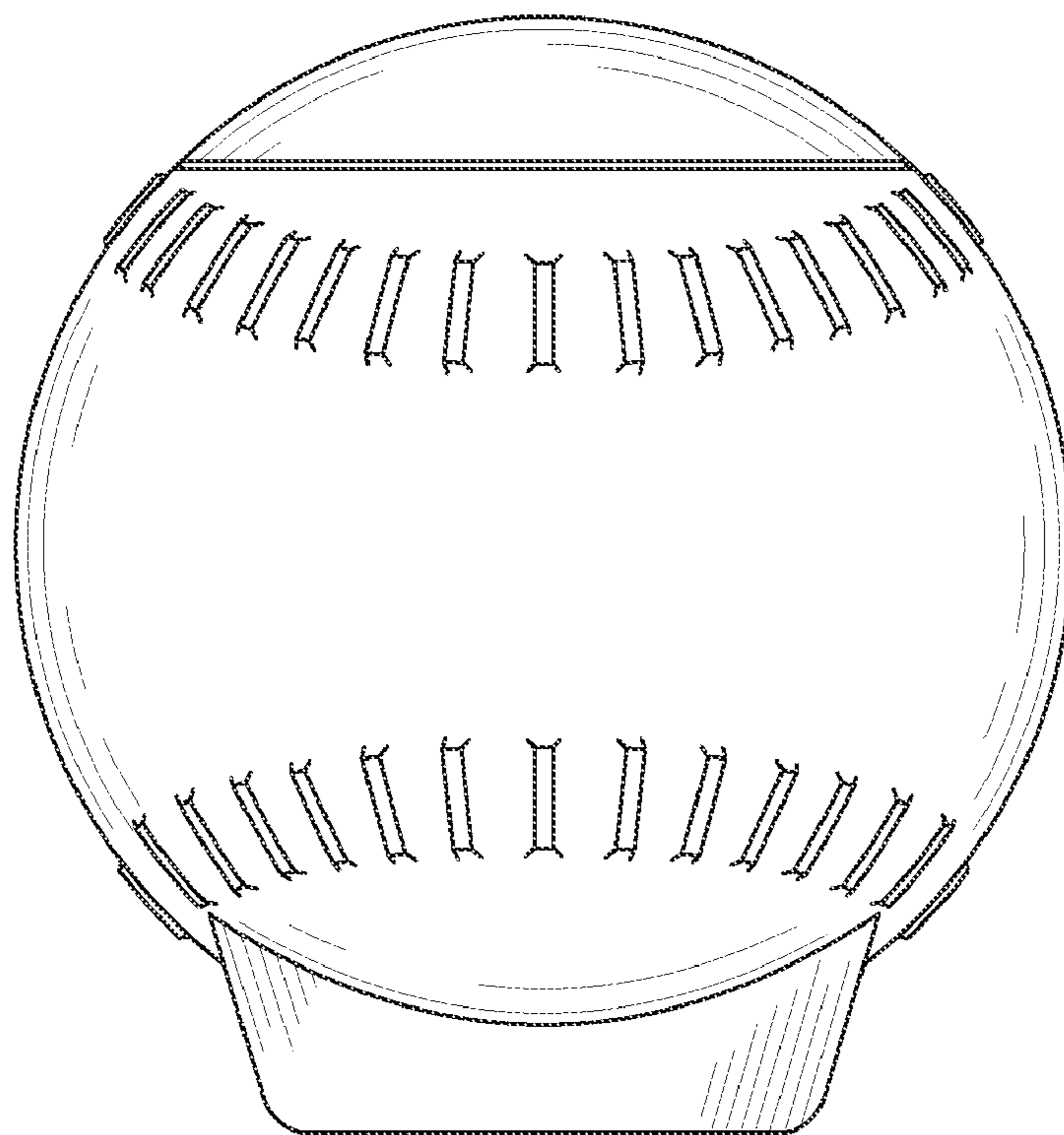


FIG. 6