



US00D575964S

(12) **United States Design Patent**
Liu

(10) **Patent No.:** **US D575,964 S**
(45) **Date of Patent:** **** Sep. 2, 2008**

(54) **TABLE**

D459,612 S * 7/2002 Vaaler D6/432
D513,908 S * 1/2006 Bibi D6/480

(76) Inventor: **Jack Liu**, 5F-5, No. 10, Ching Shan Road, Taichung (TW)

* cited by examiner

(**) Term: **14 Years**

Primary Examiner—Mimosa De
(74) *Attorney, Agent, or Firm*—Alan Kamrath; Kamrath & Associates PA

(21) Appl. No.: **29/283,127**

(22) Filed: **Aug. 7, 2007**

(57) **CLAIM**

(51) **LOC (8) Cl.** **06-04**

The ornamental design for table, as shown and described.

(52) **U.S. Cl.** **D6/432**

(58) **Field of Classification Search** D6/432-448,
D6/480; 312/204, 224, 237, 257.1, 334.44;
108/151, 153.1, 155, 156, 157.1, 161; 248/188,
248/188.1, 188.8

DESCRIPTION

See application file for complete search history.

FIG. 1 is a perspective view of a table showing my new design;

FIG. 2 is a front view thereof;

FIG. 3 is a rear view thereof;

FIG. 4 is a left view thereof;

FIG. 5 is a right view thereof;

FIG. 6 is a top view thereof; and,

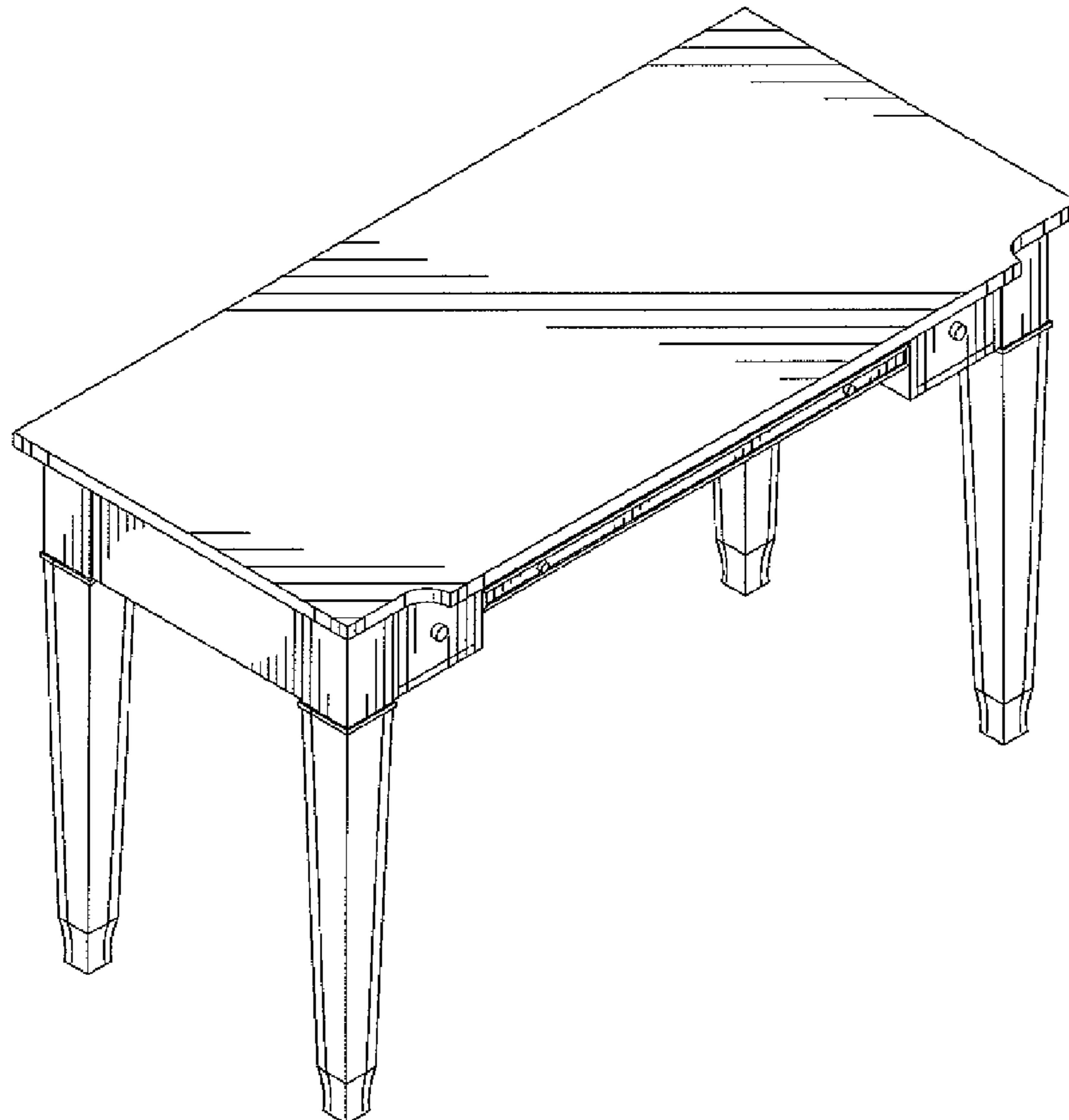
FIG. 7 is a bottom view thereof.

(56) **References Cited**

U.S. PATENT DOCUMENTS

356,401 A * 1/1887 Dils 312/334.44
1,208,924 A * 12/1916 Deming 108/156
D432,813 S * 10/2000 Hazen et al. D6/432
D452,086 S * 12/2001 Vaaler D6/436
D457,748 S * 5/2002 Wistehuff, Sr. D6/436

1 Claim, 4 Drawing Sheets



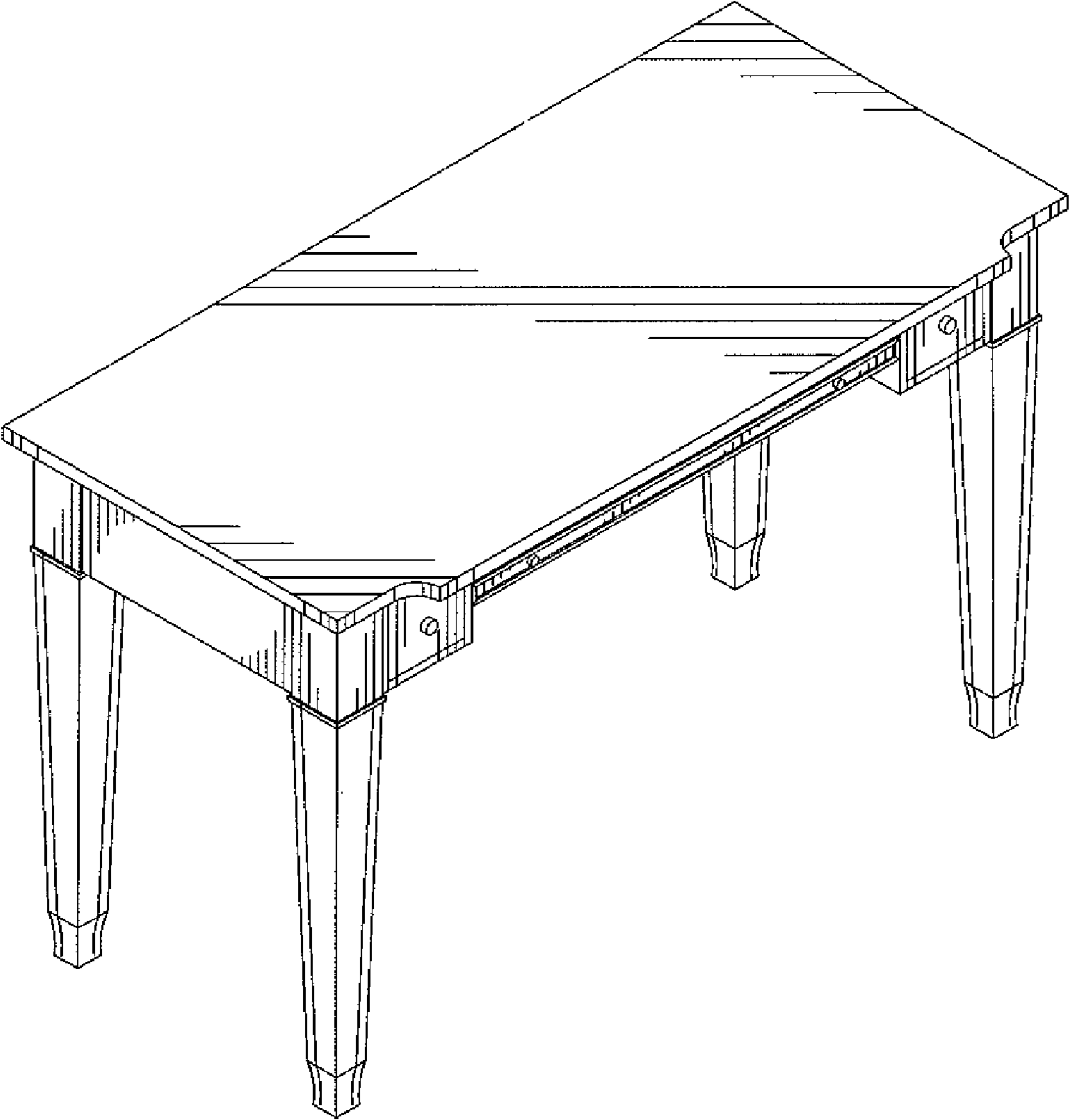


Fig 1

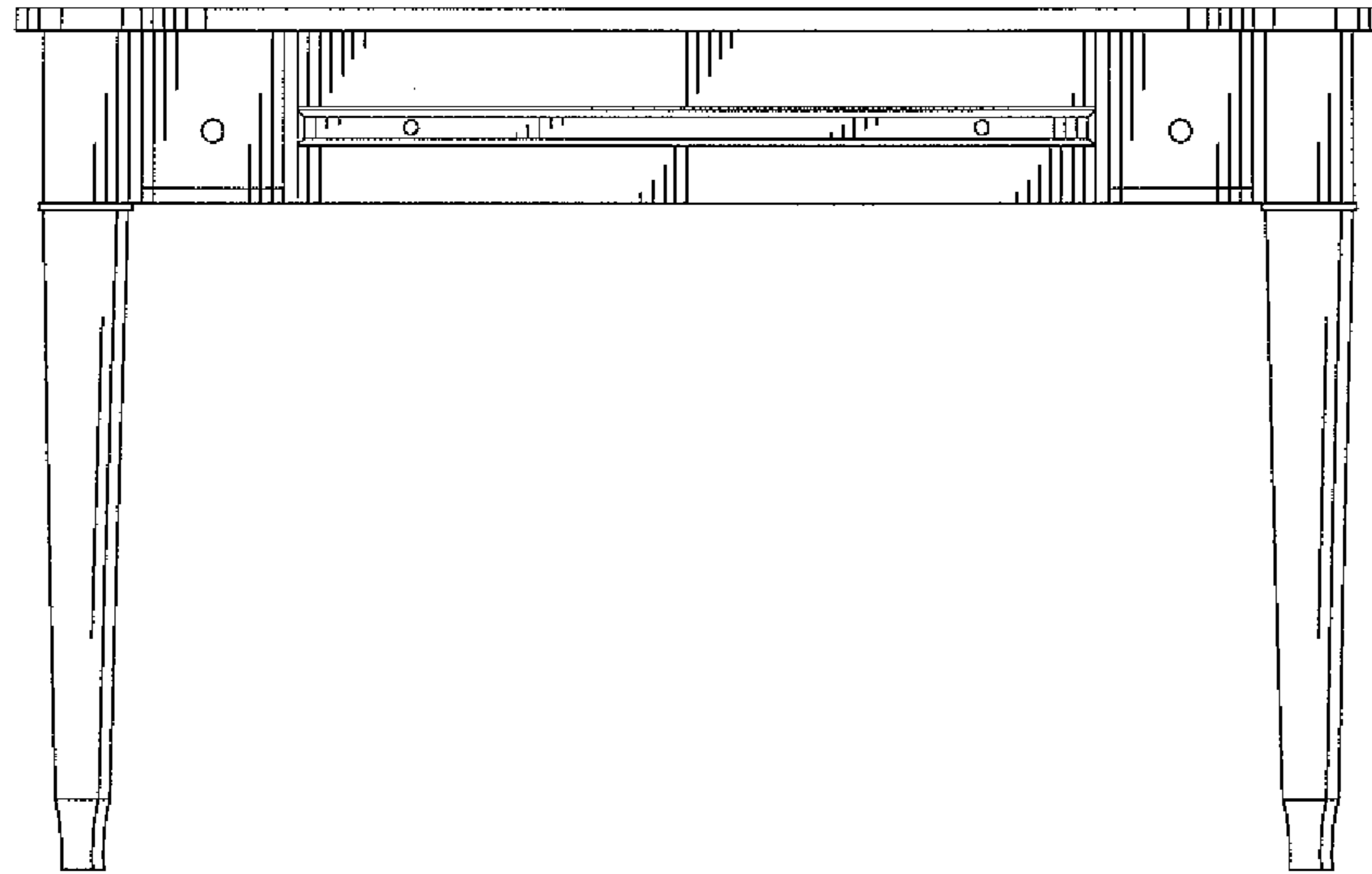


Fig 2

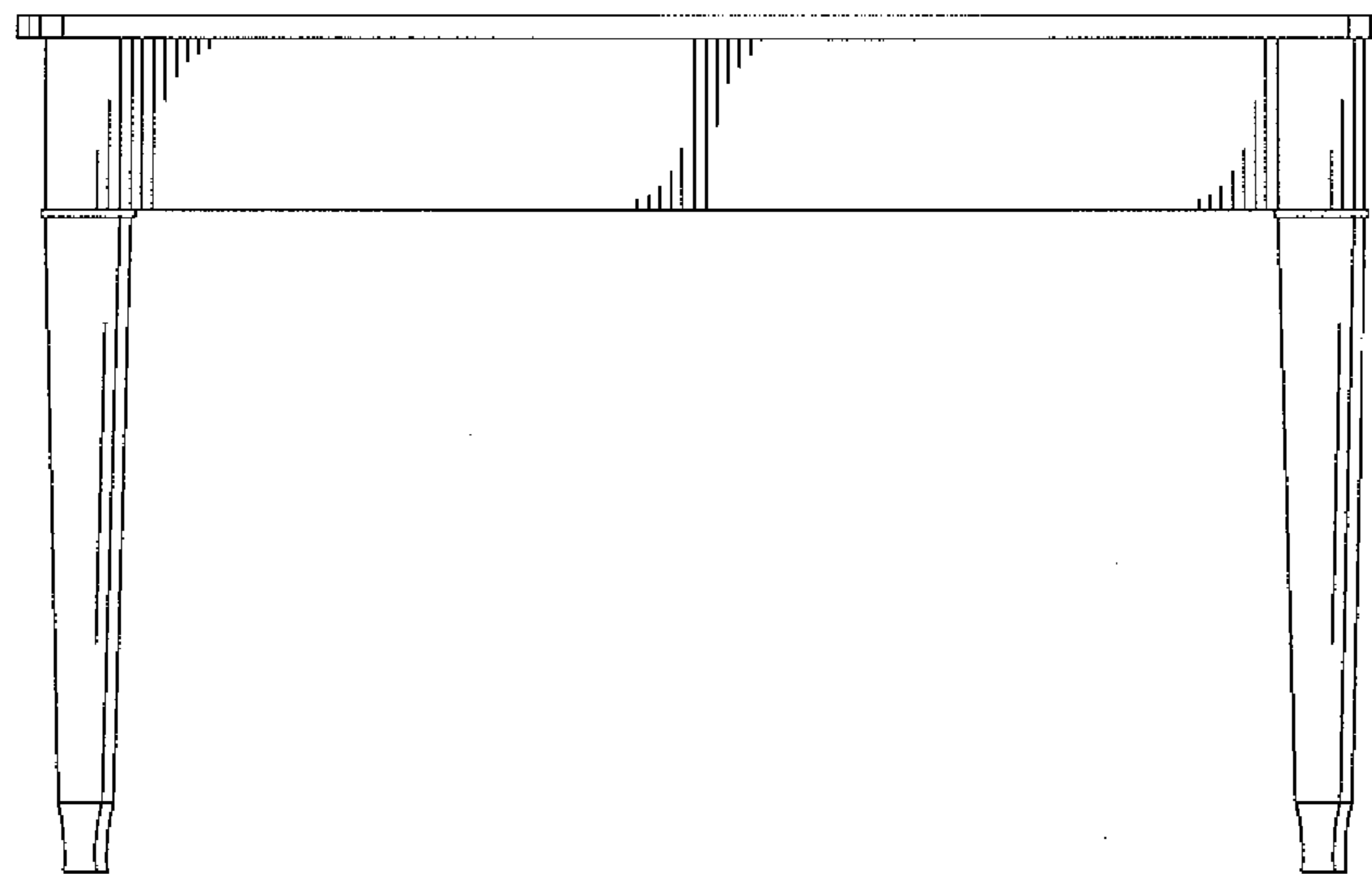


Fig 3

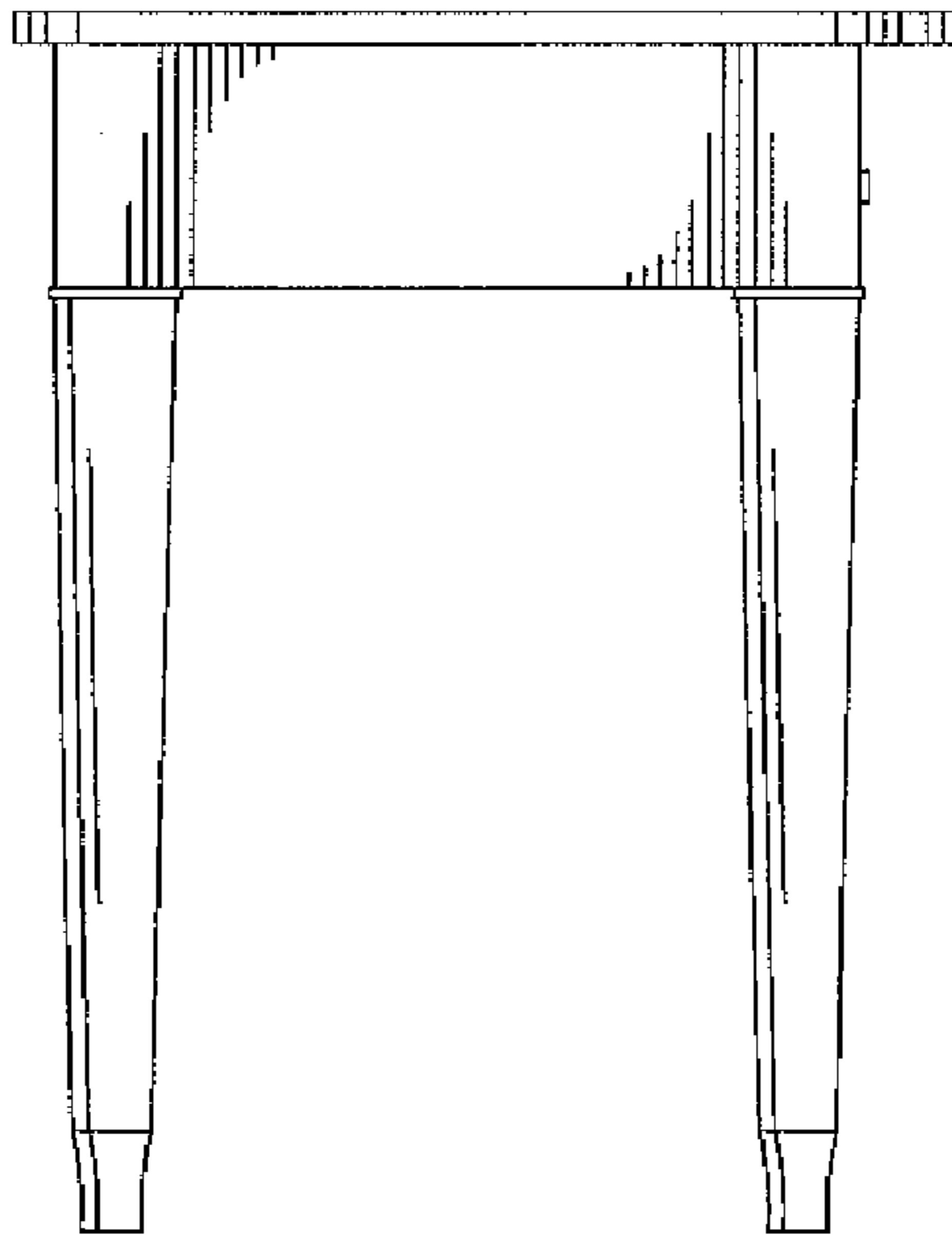


Fig 4

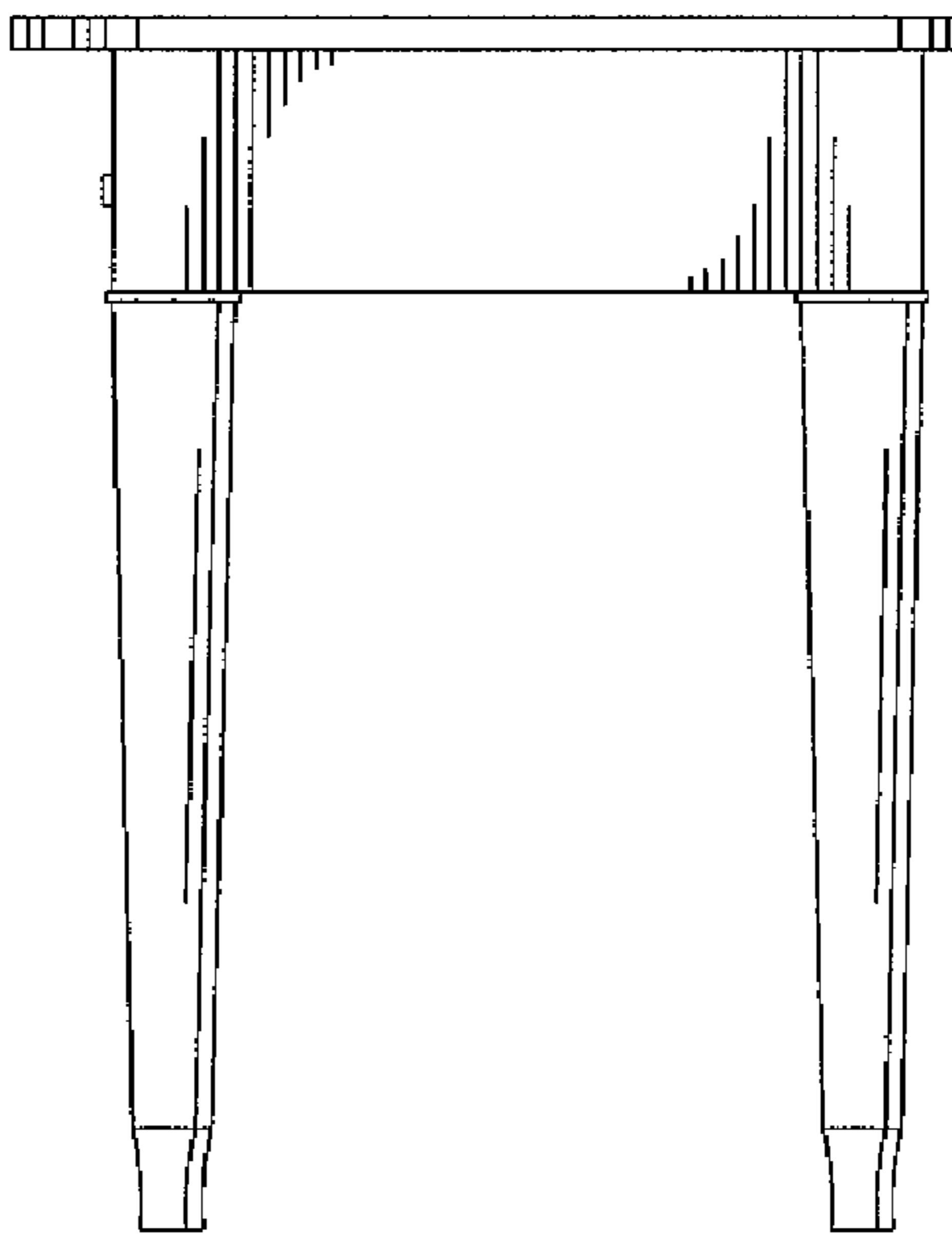


Fig 5

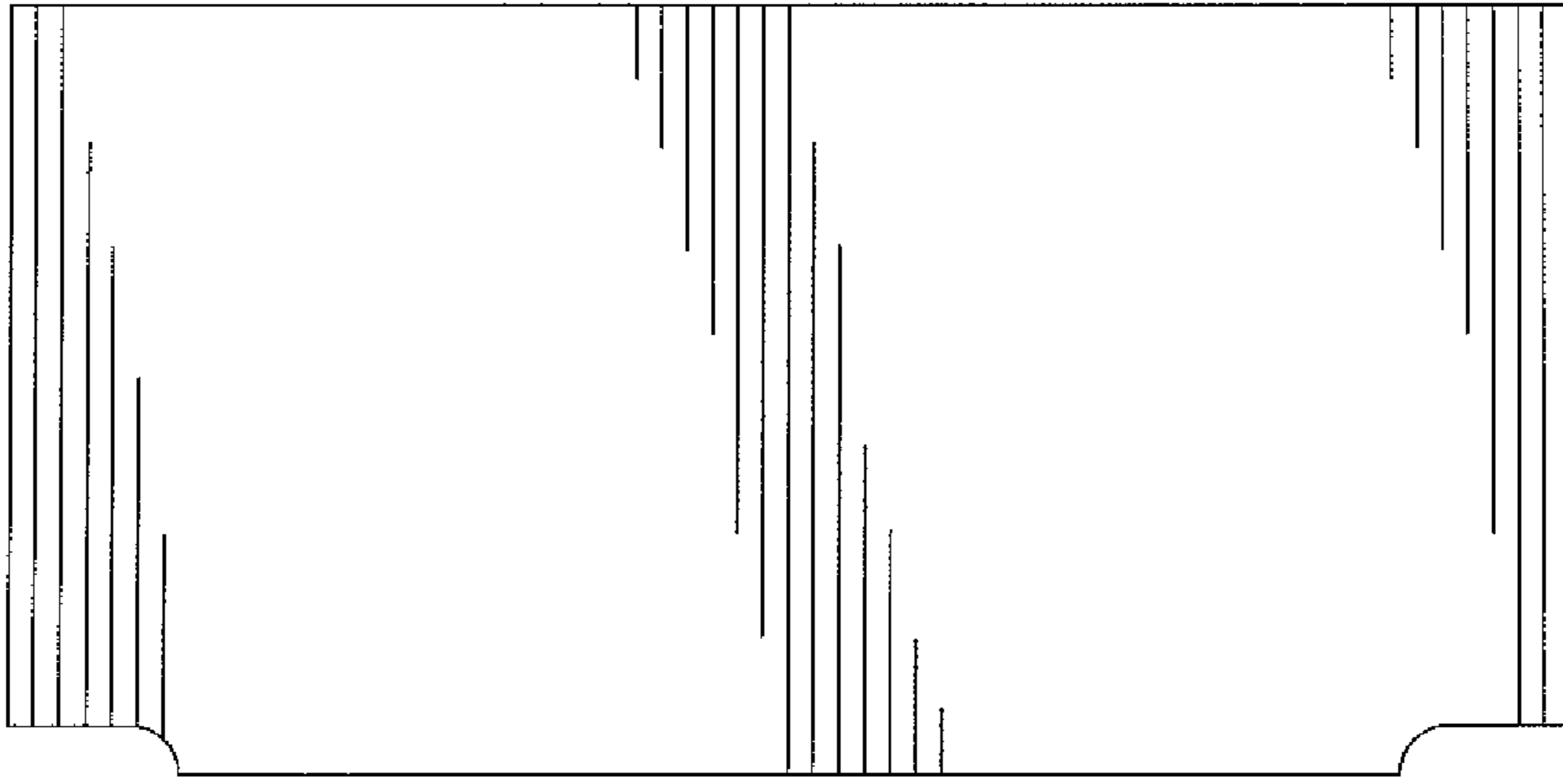


Fig 6

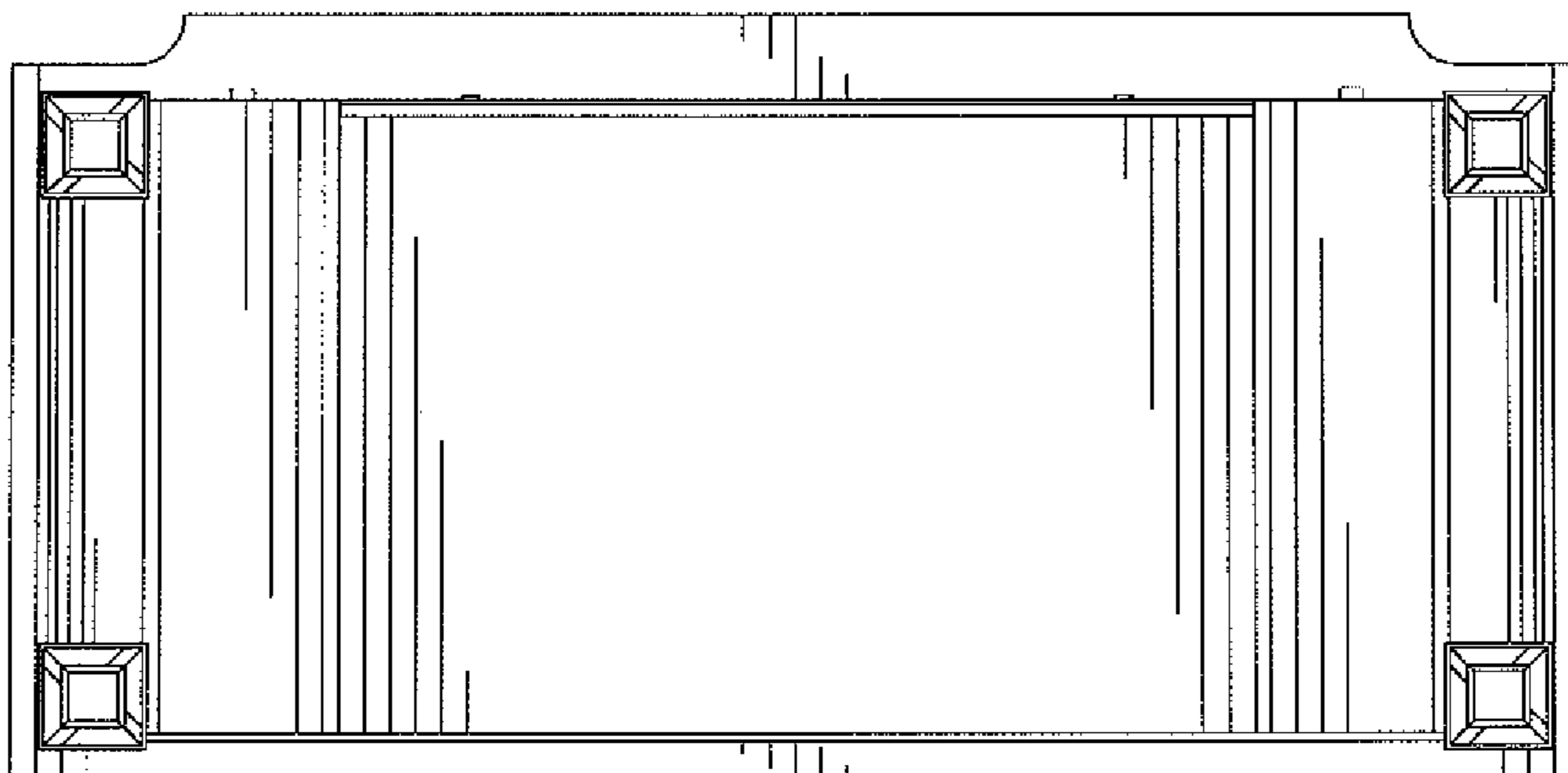


Fig 7