

US00D575962S

(12) **United States Design Patent**
Senko et al.

(10) **Patent No.:** **US D575,962 S**

(45) **Date of Patent:** **** Sep. 2, 2008**

(54) **COLLAPSIBLE BENCH WITH CANOPY**

(76) Inventors: **Perry Senko**, 239 Logan Crescent,
Regina, Saskatchewan (CA) S4S 5P9;
Scott Degelman, 272 Industrial Drive,
Box 830, Regina, Saskatchewan (CA)
S4P 3B1

(**) Term: **14 Years**

(21) Appl. No.: **29/257,357**

(22) Filed: **Mar. 29, 2006**

(51) **LOC (8) Cl.** **06-01**

(52) **U.S. Cl.** **D6/381**

(58) **Field of Classification Search** D6/334-336,
D6/361, 371, 381, 500-502, 492; 297/445.1,
297/446.1, 232, 248; 5/12.1

See application file for complete search history.

(56) **References Cited**

U.S. PATENT DOCUMENTS

1,738,473	A *	12/1929	Green	297/45
1,915,504	A *	6/1933	Stokby	160/351
3,492,046	A *	1/1970	Freda et al.	297/248
3,640,568	A *	2/1972	Suzuki et al.	297/232
4,201,416	A *	5/1980	Vanderminden	297/184.15
4,300,798	A *	11/1981	Musgrove et al.	297/184.15
4,595,232	A *	6/1986	Glenn et al.	297/17
4,641,883	A *	2/1987	Kato	297/184.15
4,687,249	A *	8/1987	Mills	297/184.15
D365,451	S *	12/1995	Shahid	D6/336
5,570,928	A *	11/1996	Staunton et al.	297/232
5,582,458	A *	12/1996	Wildt	297/184.15
5,586,344	A *	12/1996	Liang	4/484
5,984,406	A *	11/1999	Lee	297/16.2
6,036,262	A *	3/2000	Shahid	297/188.04
6,082,813	A *	7/2000	Chen	297/16.2
6,231,119	B1 *	5/2001	Zheng	297/16.2
6,247,748	B1 *	6/2001	Zheng	297/16.2
6,322,138	B1 *	11/2001	Tang	297/45
D456,628	S *	5/2002	Satoshi	D6/368

6,454,348	B1 *	9/2002	Wu	297/16.2
6,499,804	B1 *	12/2002	Wu	297/381
6,637,811	B2 *	10/2003	Zheng	297/31
6,644,731	B2 *	11/2003	Tang	297/16.2
D490,251	S *	5/2004	Lin	D6/336
6,814,408	B2 *	11/2004	Chen	297/284.6
7,070,230	B2 *	7/2006	Chen	297/135
D531,825	S *	11/2006	Jenkins et al.	D6/335

* cited by examiner

Primary Examiner—Sandra Snapp

(74) *Attorney, Agent, or Firm*—Davis Bujold & Daniels,
P.L.L.C.

(57) **CLAIM**

The ornamental design for a “collapsible bench with canopy,”
as shown and described.

DESCRIPTION

FIG. 1 is a front view of the bench in an expanded position;
FIG. 2 is a rear view of the bench in an expanded position;
FIG. 3 is a right side view of the bench in an expanded
position;

FIG. 4 is a left side view of the bench in an expanded position;
FIG. 5 is a top view of the bench in an expanded position;

FIG. 6 is a bottom view of the bench in an expanded position;
FIG. 7 is a perspective view of the bench in an expanded
position;

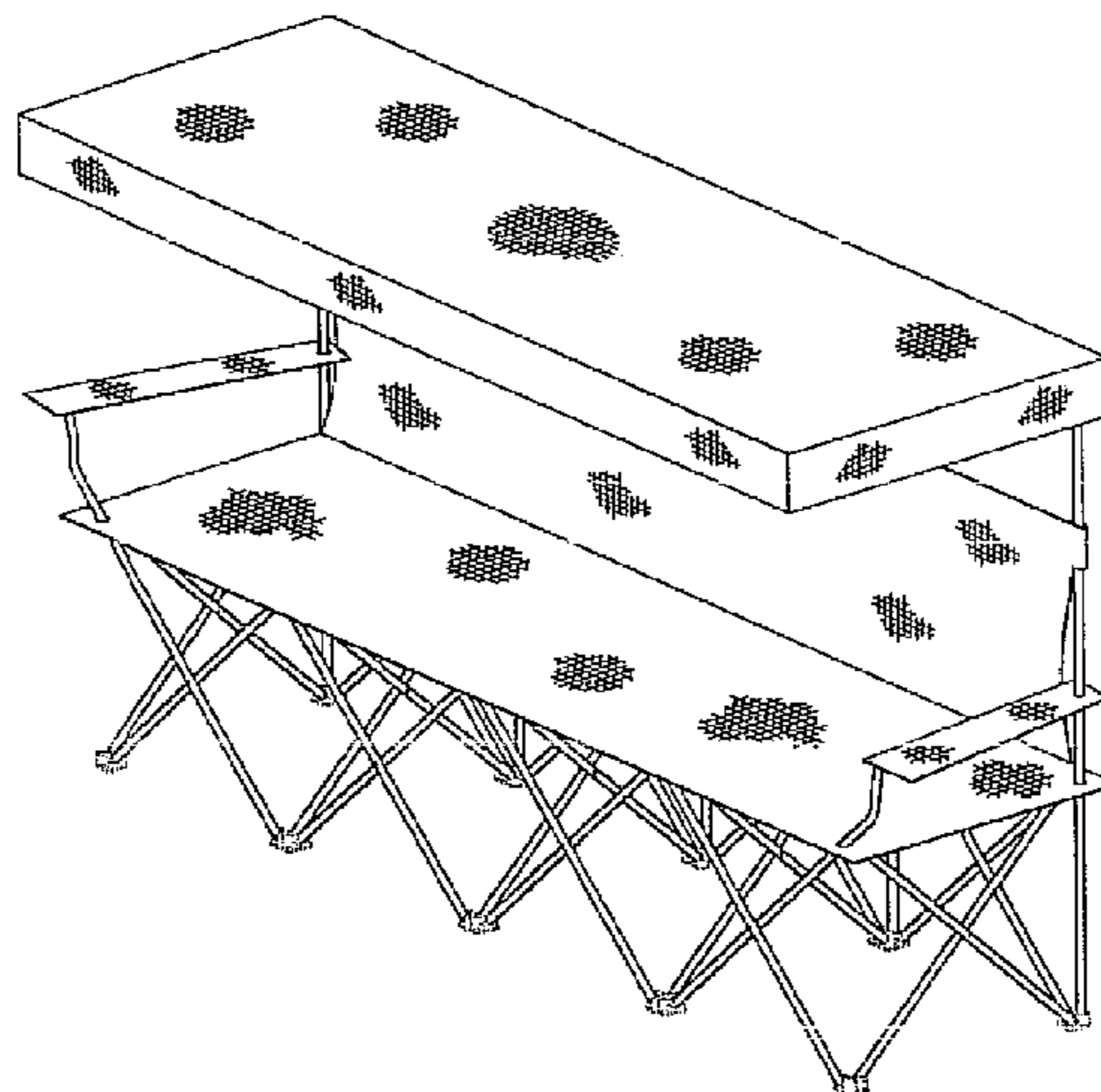
FIG. 8 is a perspective view of the bench in a collapsed
position;

FIG. 9 is a perspective view of a variant of the bench in an
expanded position; and,

FIG. 10 is a exploded perspective view detailing the feet
support of the bench in the expanded position.

The broken lines shown in the drawings are for illustrative
purposes only and form no part of the claimed design.

1 Claim, 9 Drawing Sheets



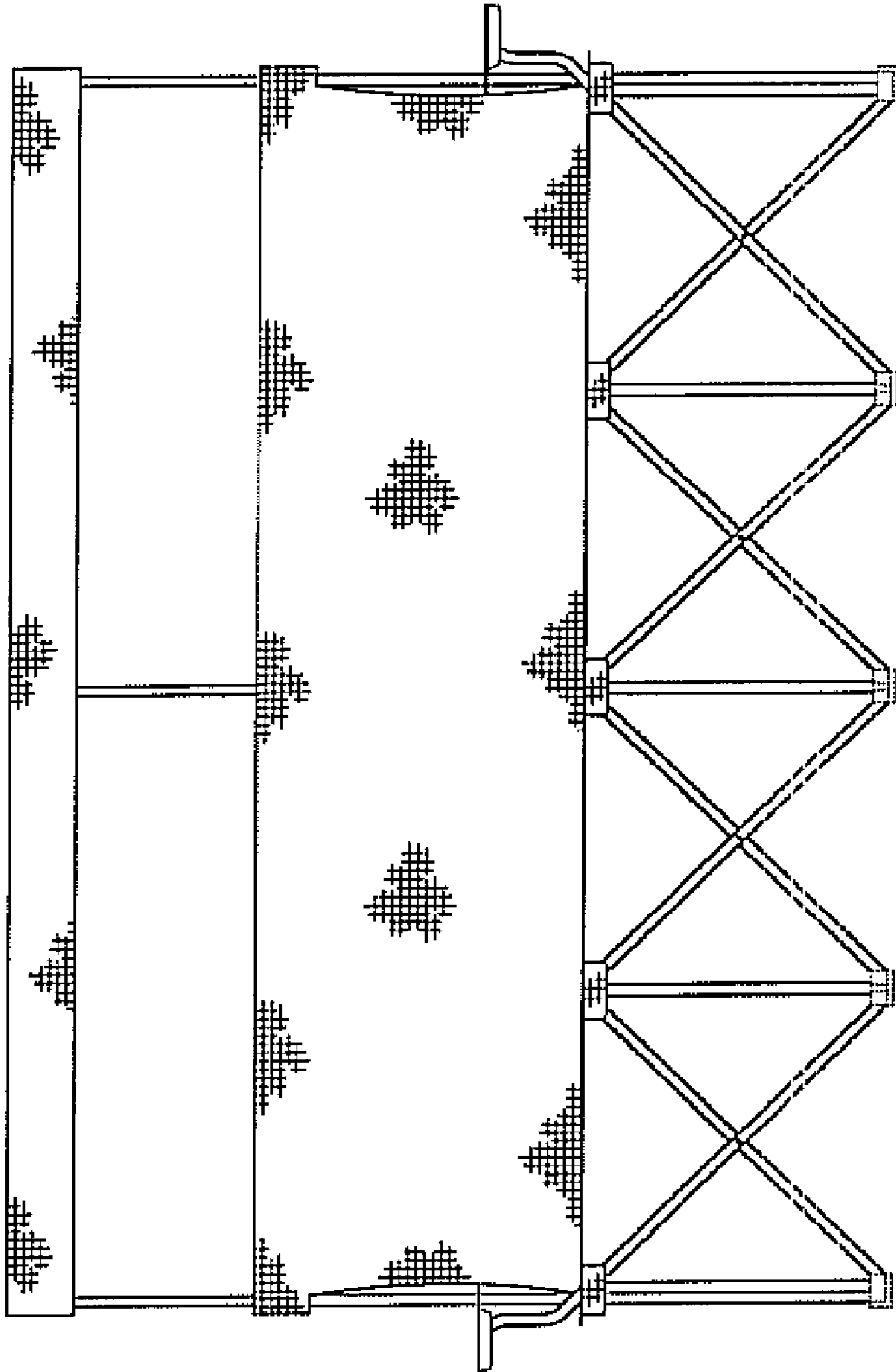


FIG. 1

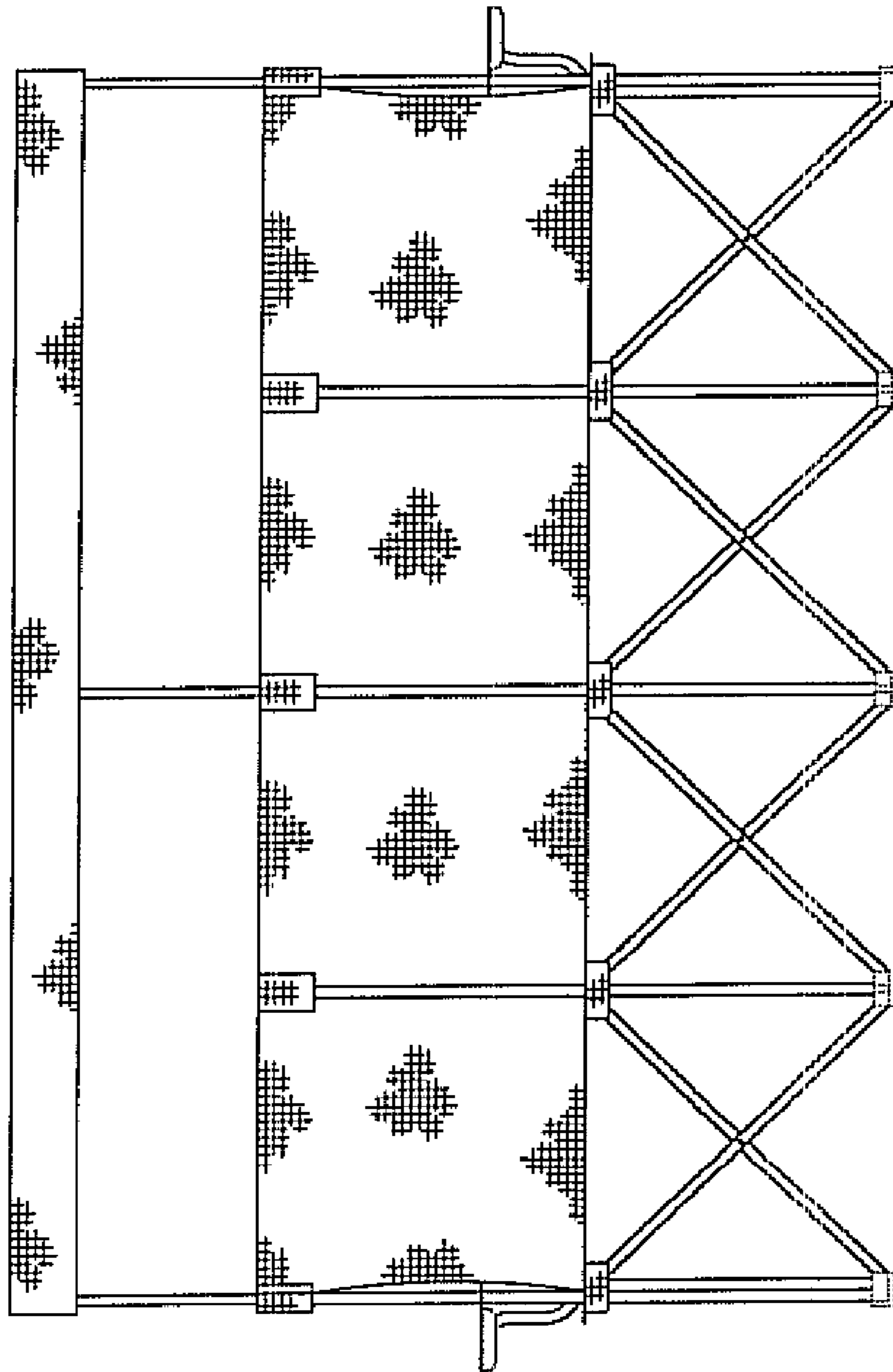


FIG. 2

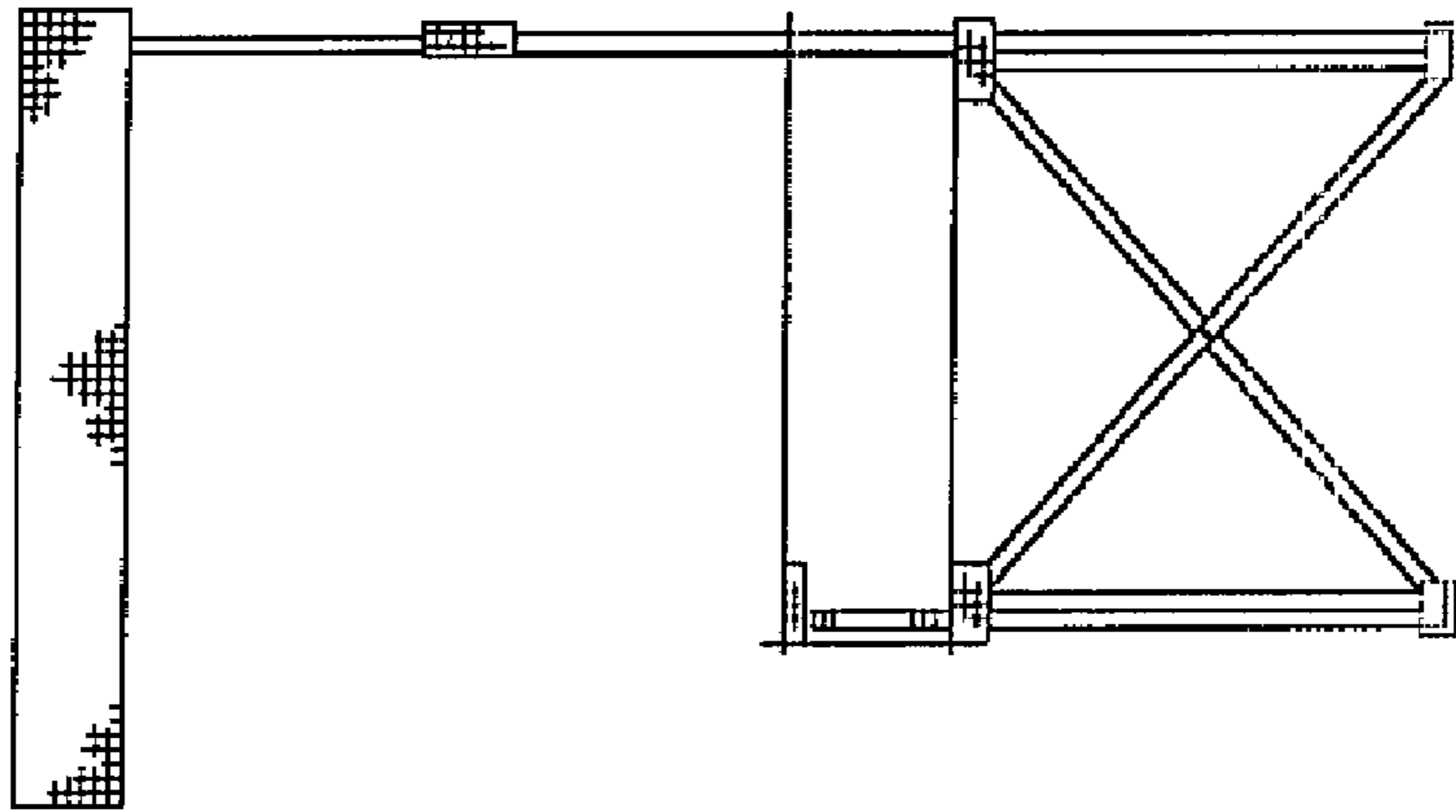


FIG. 4

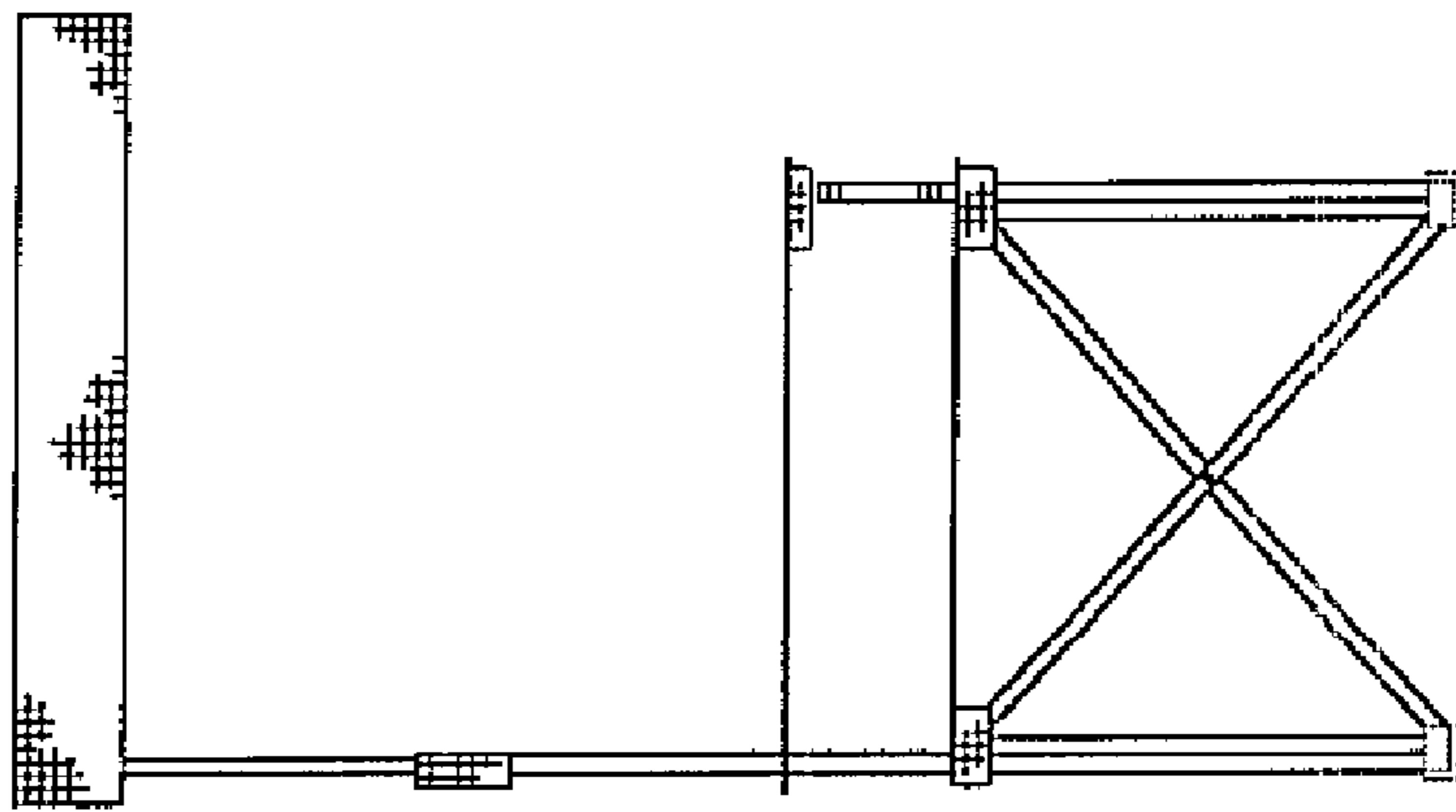


FIG. 3

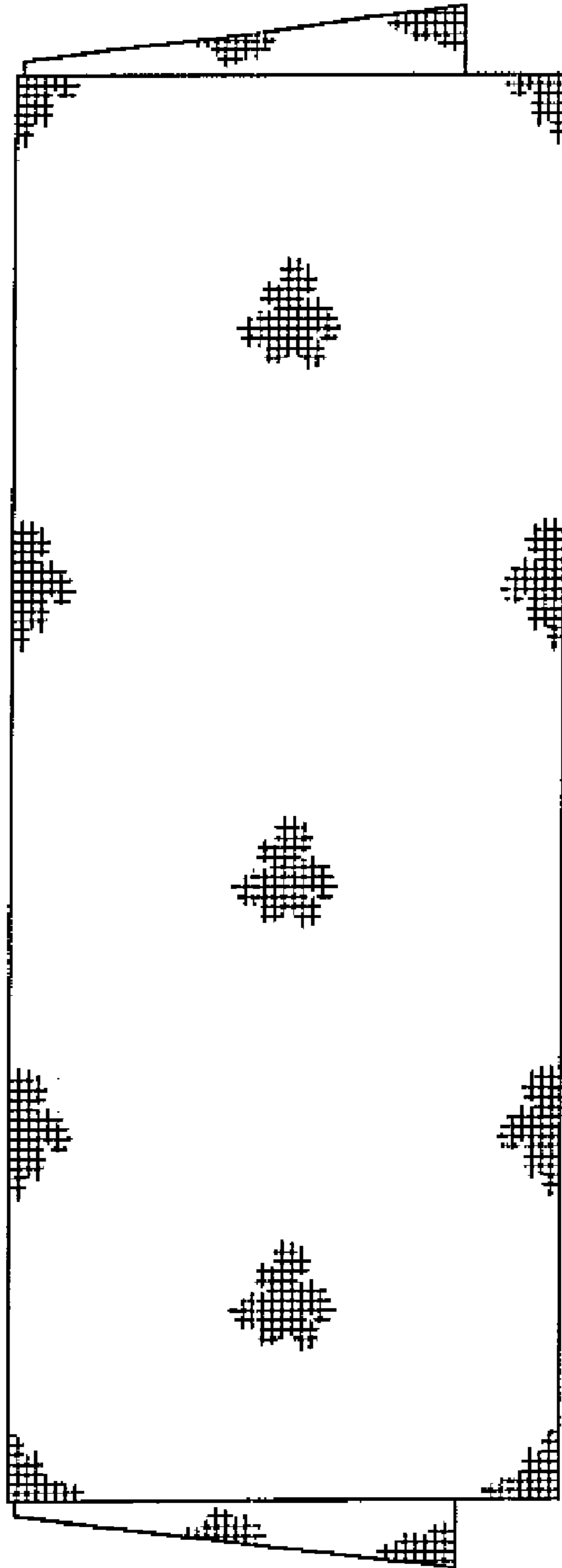


FIG. 5

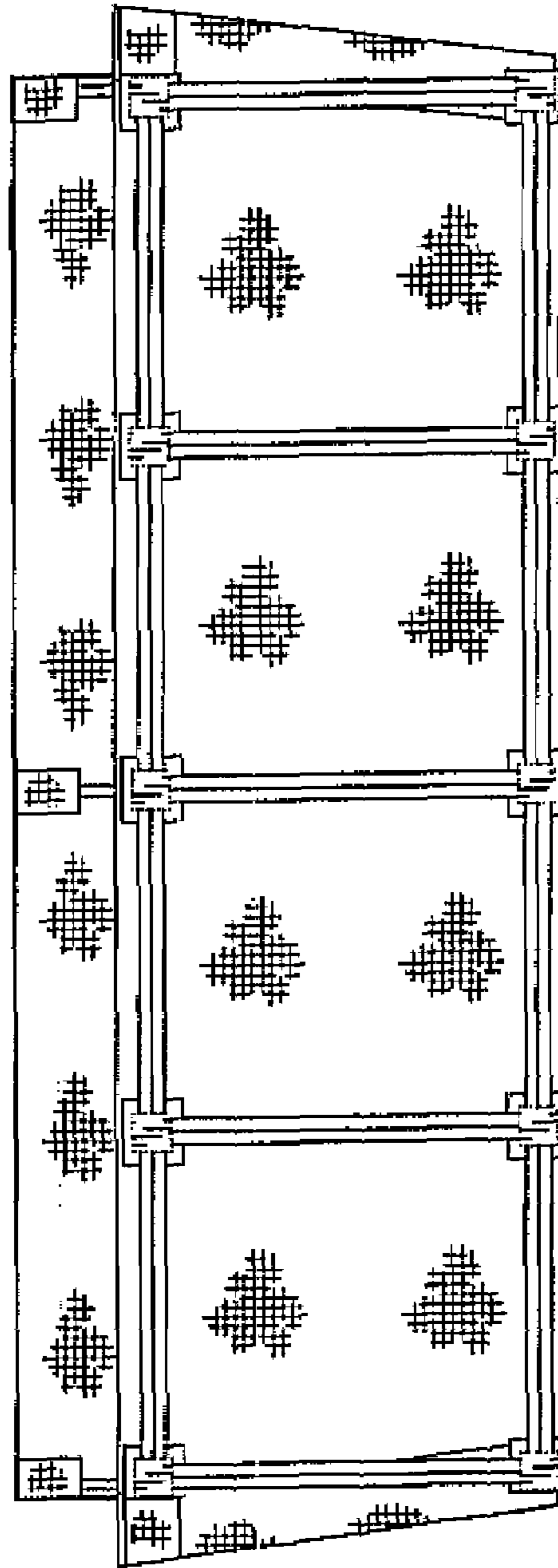


FIG. 6

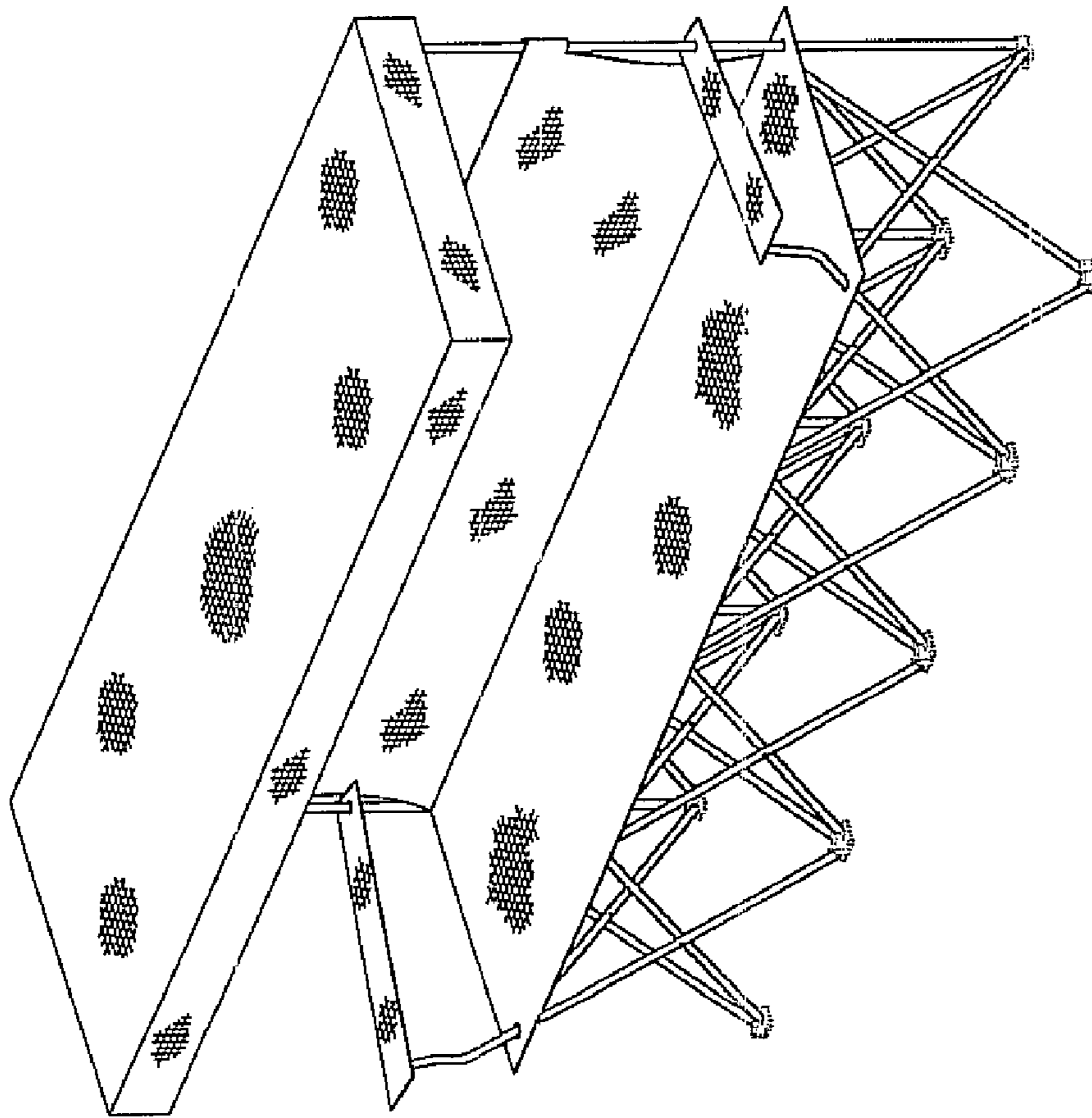


FIG. 7

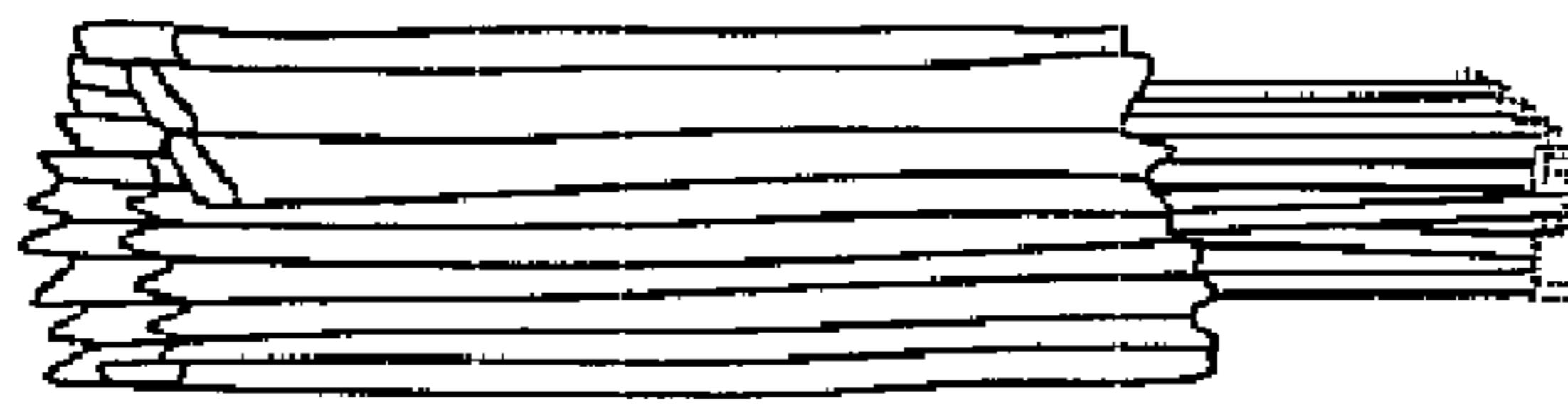


FIG. 8

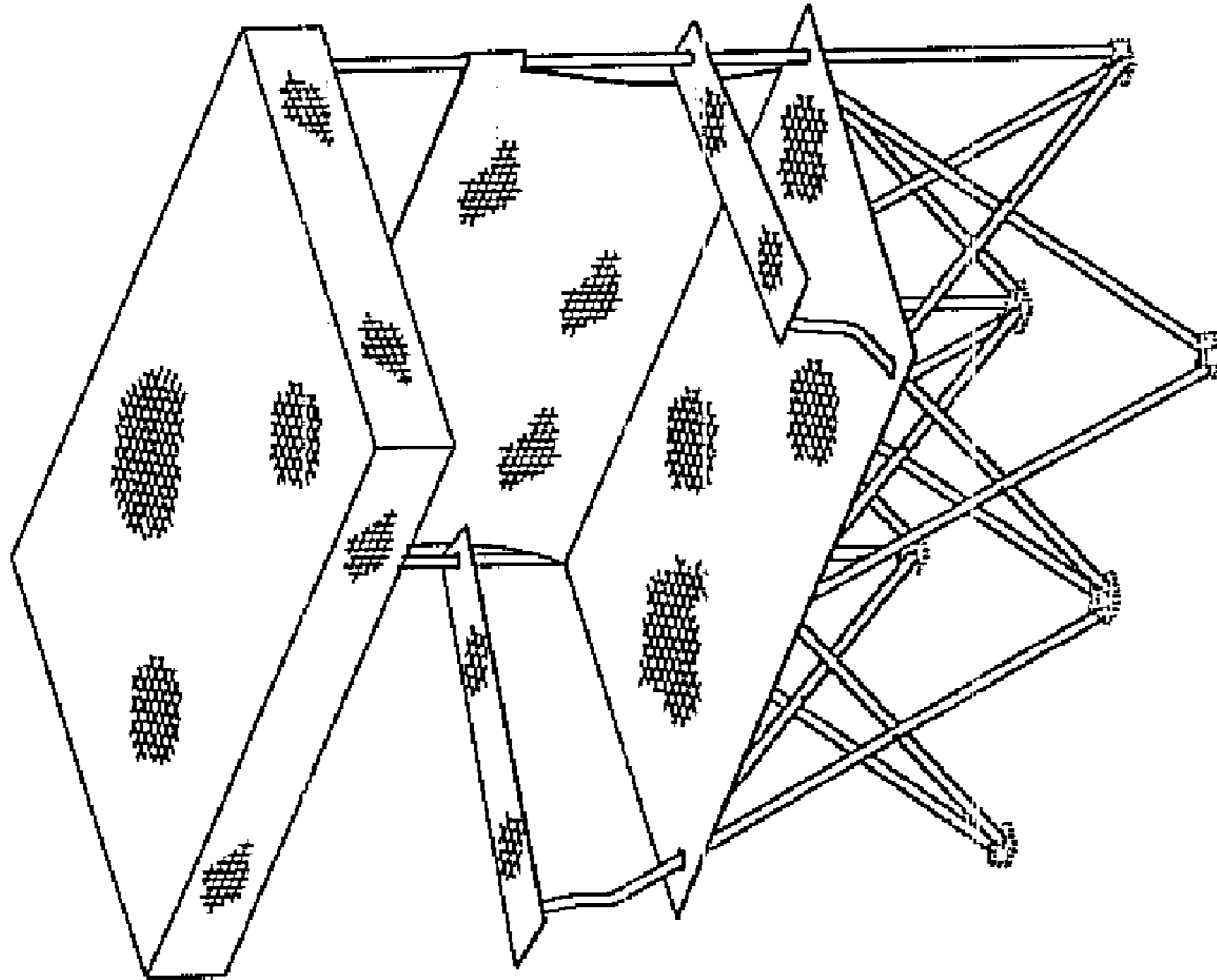


FIG. 9

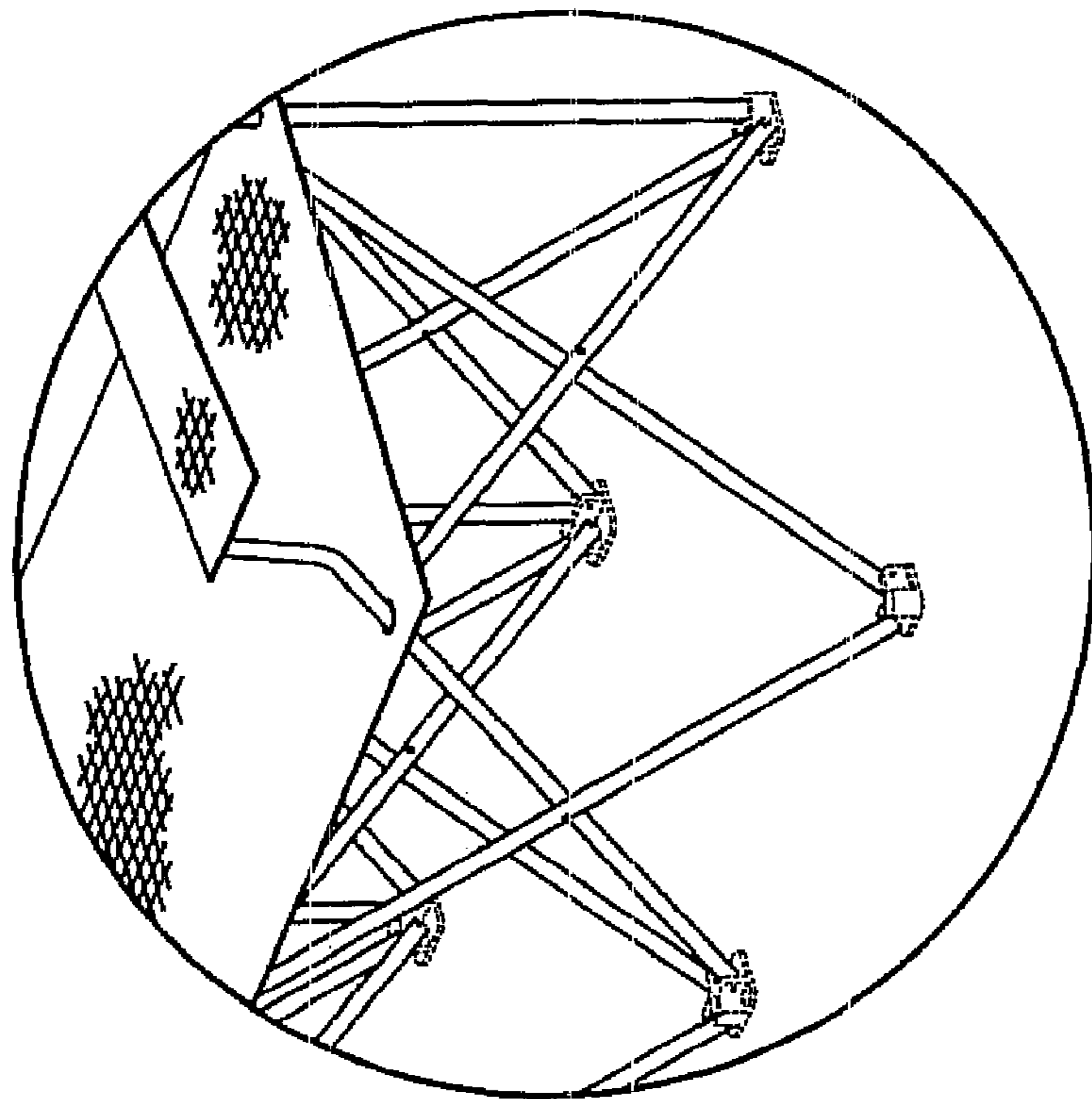


FIG. 10