



US00D575960S

(12) **United States Design Patent**
Su

(10) **Patent No.:** **US D575,960 S**

(45) **Date of Patent:** **** Sep. 2, 2008**

(54) **CHAIR**

(76) **Inventor:** **Ken Su**, 235 Chung-Ho Box 8-24, Taipei (TW)

(**) **Term:** **14 Years**

(21) **Appl. No.:** **29/241,105**

(22) **Filed:** **Oct. 25, 2005**

(51) **LOC (8) Cl.** **16-01**

(52) **U.S. Cl.** **D6/366**

(58) **Field of Classification Search** D6/364-368,
D6/334-335, 356, 372, 374, 376, 498; 297/411.2,
297/411.27, 411.28, 411.29, 445.1
See application file for complete search history.

(56) **References Cited**

U.S. PATENT DOCUMENTS

D449,174 S *	10/2001	Neil	D6/366
D452,388 S *	12/2001	Baldanzi et al.	D6/366
D486,657 S *	2/2004	Su	D6/366
D496,812 S *	10/2004	Chu	D6/500
D497,265 S *	10/2004	Tai	D6/366
D497,266 S *	10/2004	Tai	D6/366
D507,422 S *	7/2005	Seiler	D6/366

D509,671 S *	9/2005	Olson et al.	D6/366
D510,202 S *	10/2005	Chadwick et al.	D6/366
D528,811 S *	9/2006	Giugiaro	D6/366
D532,211 S *	11/2006	Su	D6/366
D535,113 S *	1/2007	Wang	D6/366

* cited by examiner

Primary Examiner—Caron D. Veynar

Assistant Examiner—Abraham Bahta

(57) **CLAIM**

The ornamental design for a chair, as shown and described.

DESCRIPTION

FIG. 1 is a perspective view of a chair showing my new design.

FIG. 2 is a front elevational view thereof;

FIG. 3 is a rear elevational view thereof;

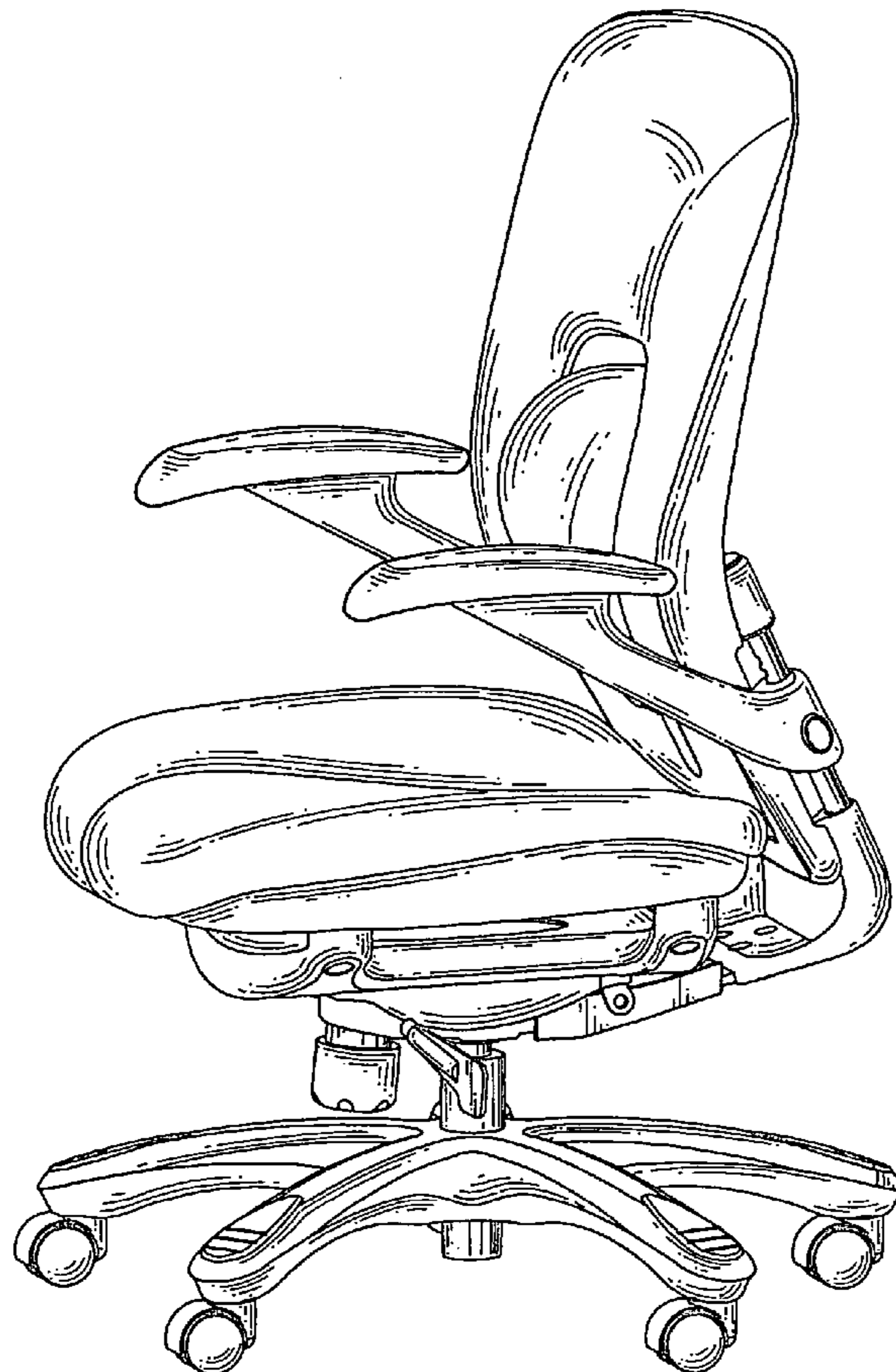
FIG. 4 is a left side view thereof;

FIG. 5 is a right side view thereof;

FIG. 6 is a top plan view thereof; and,

FIG. 7 is a bottom plan view thereof.

1 Claim, 7 Drawing Sheets



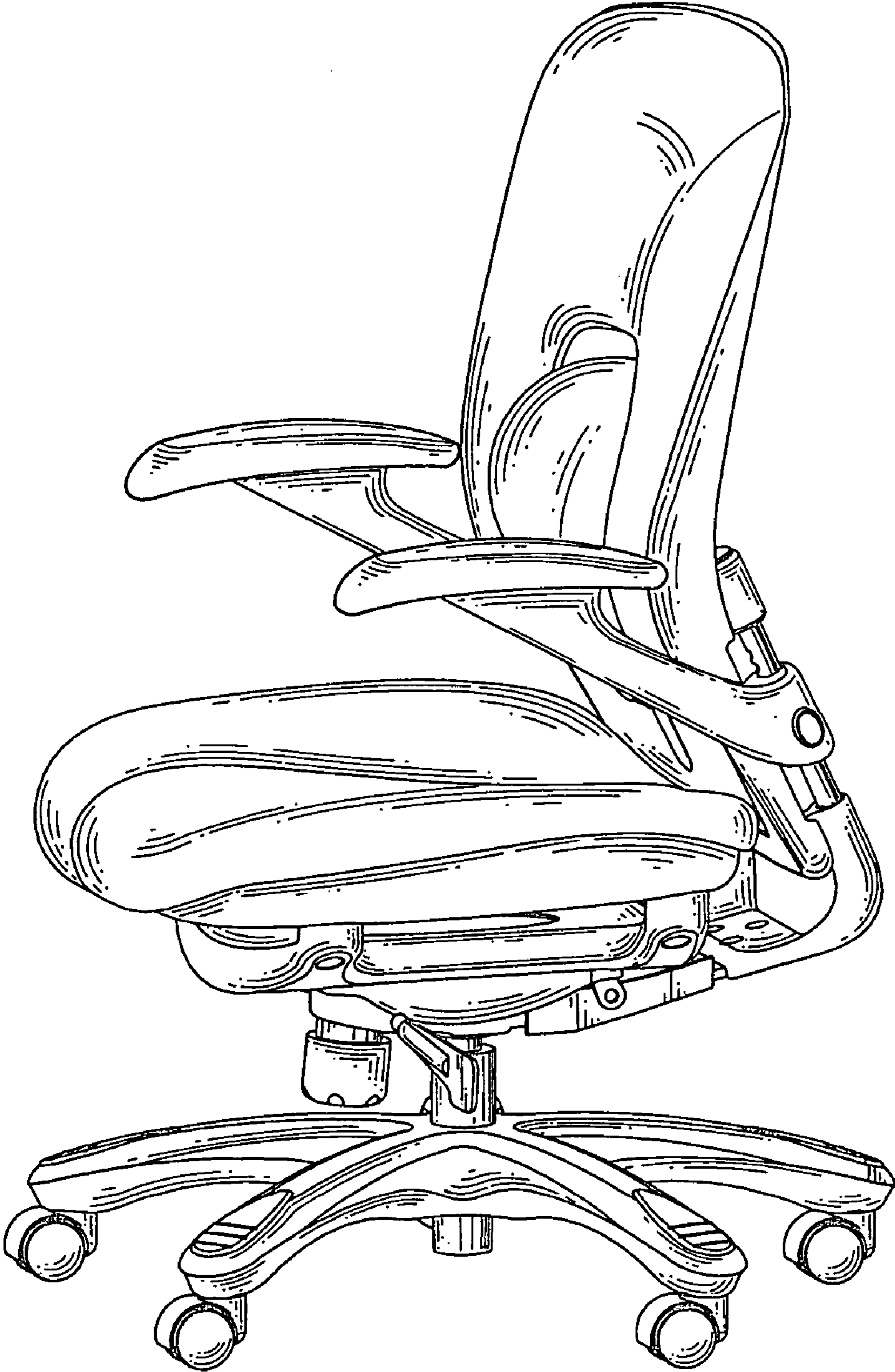


FIG 1

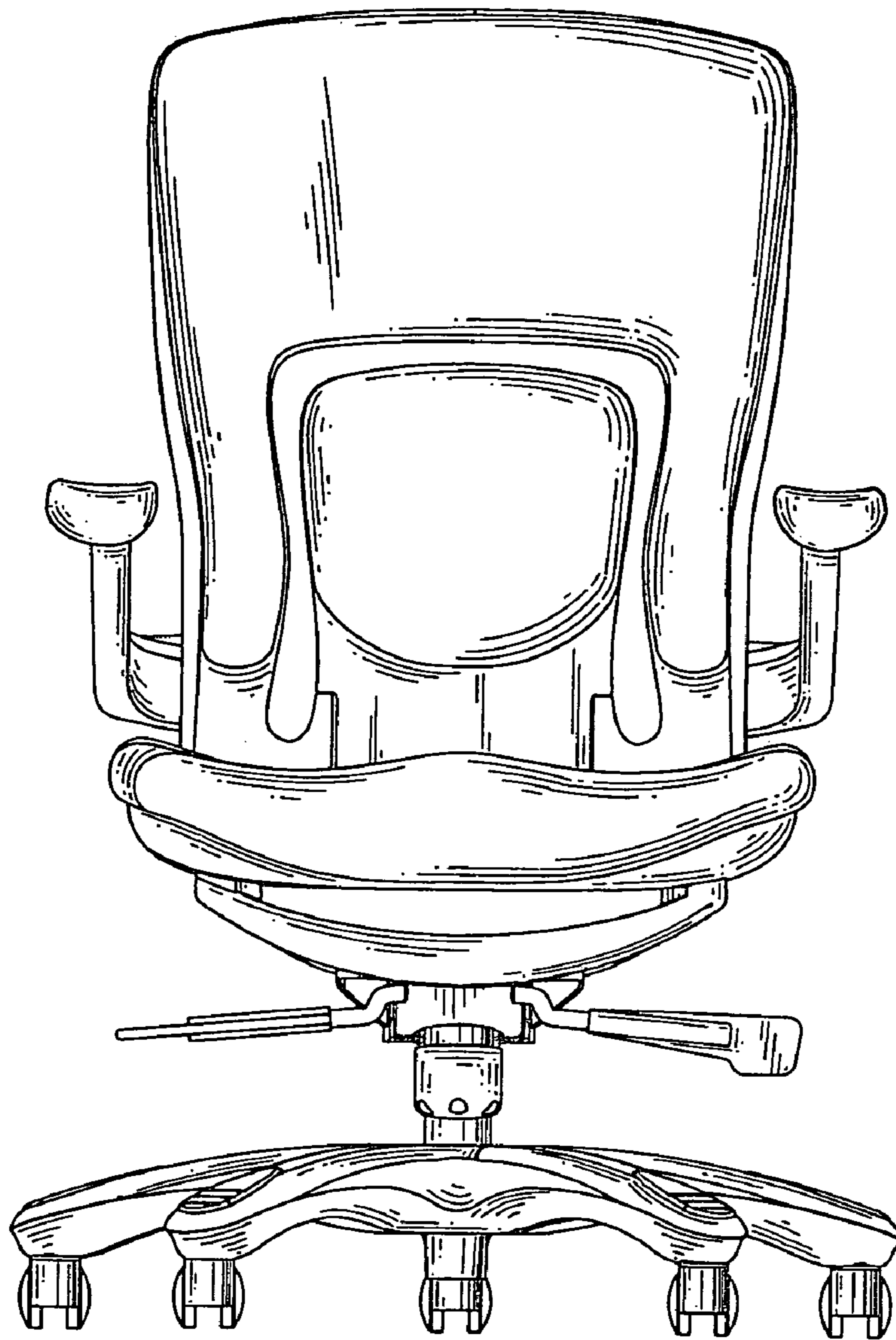


FIG 2

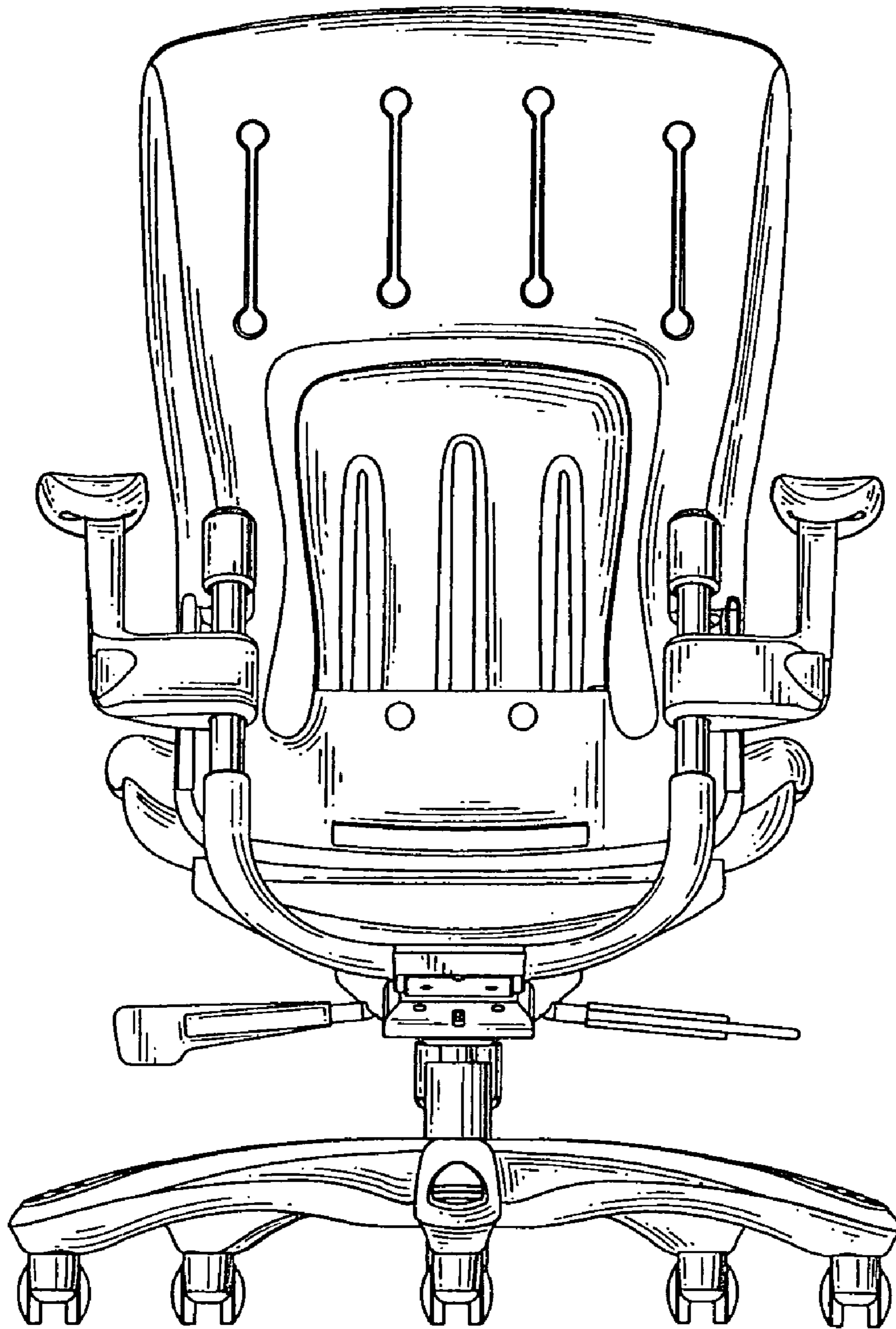


FIG 3

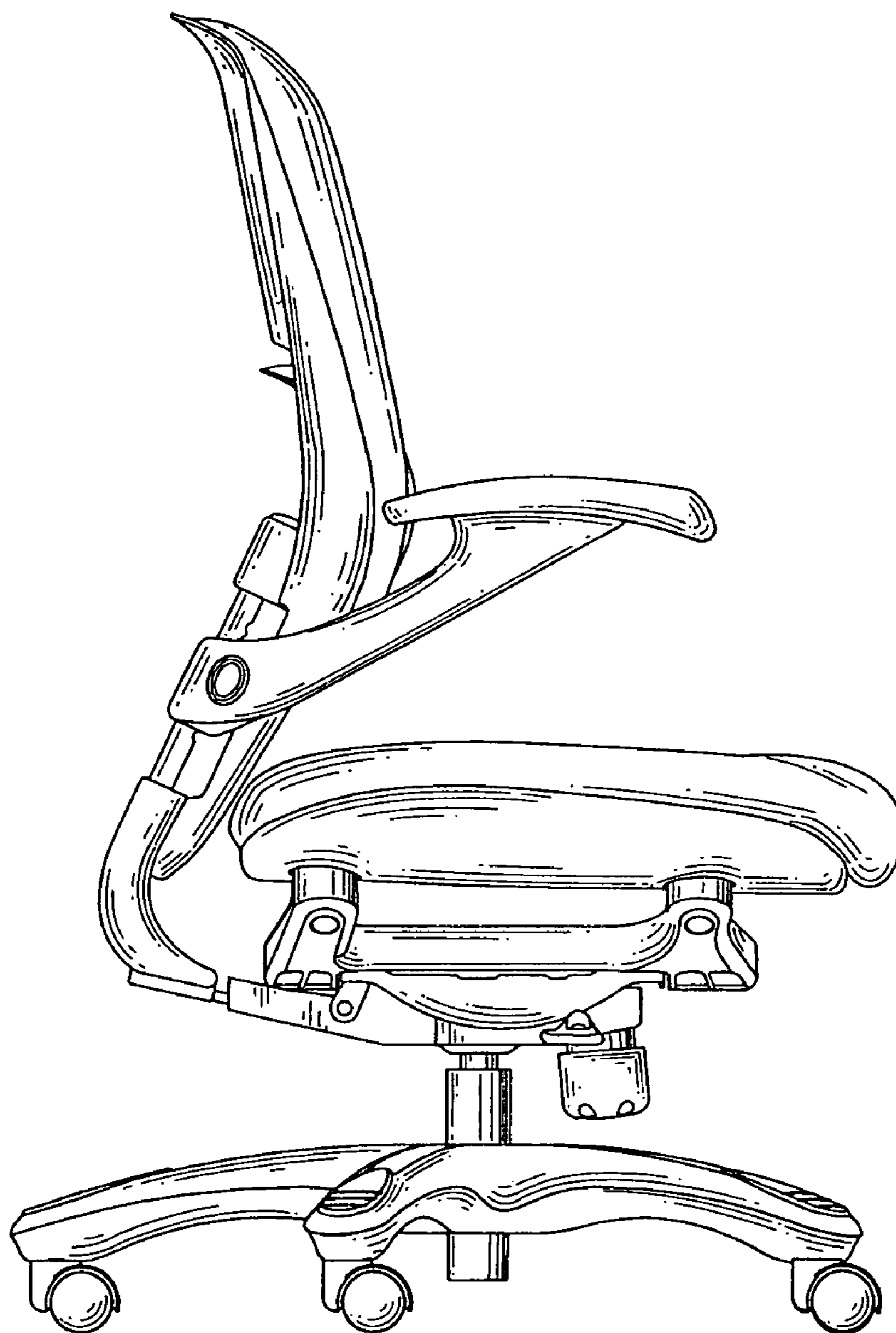


FIG 4

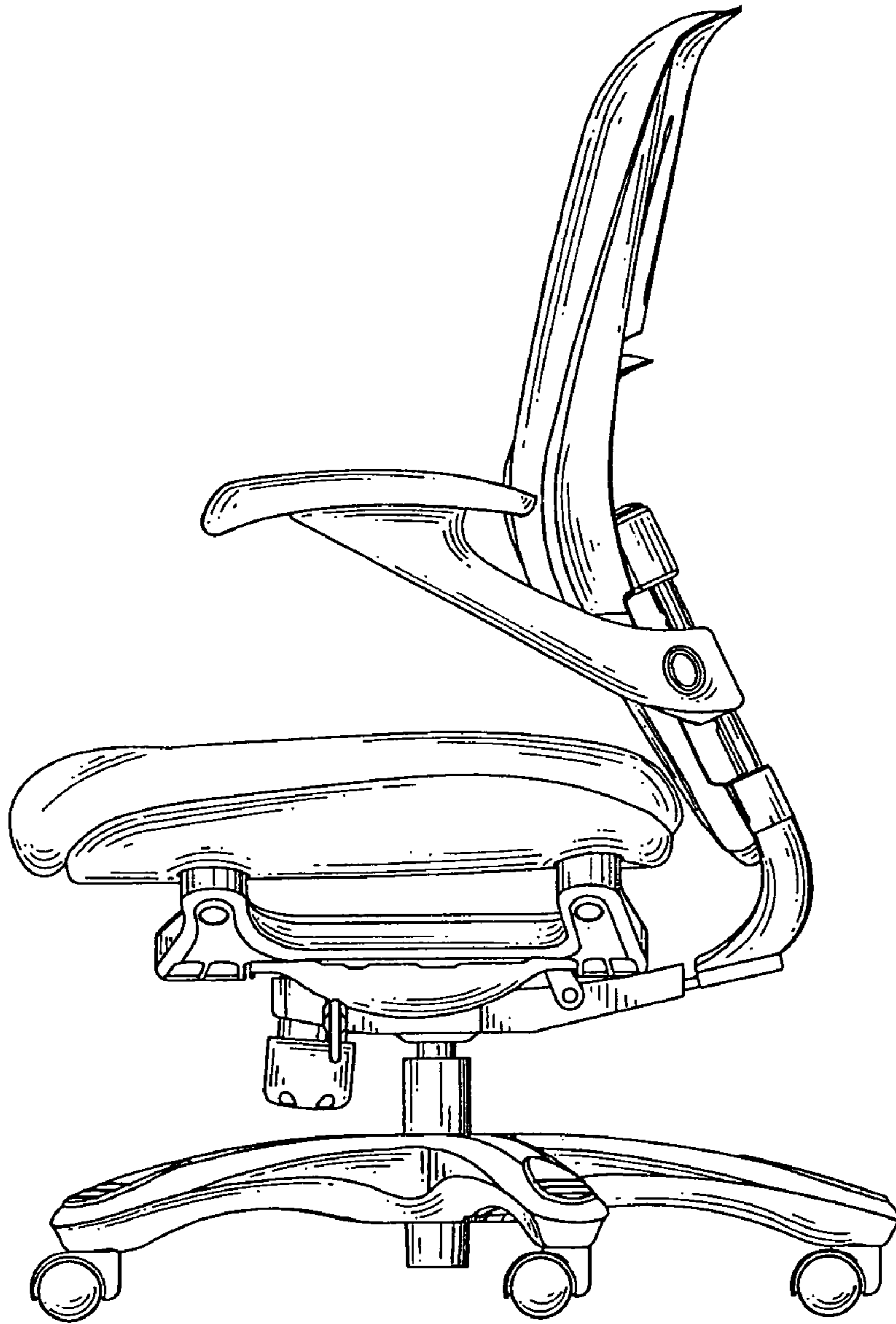


FIG 5

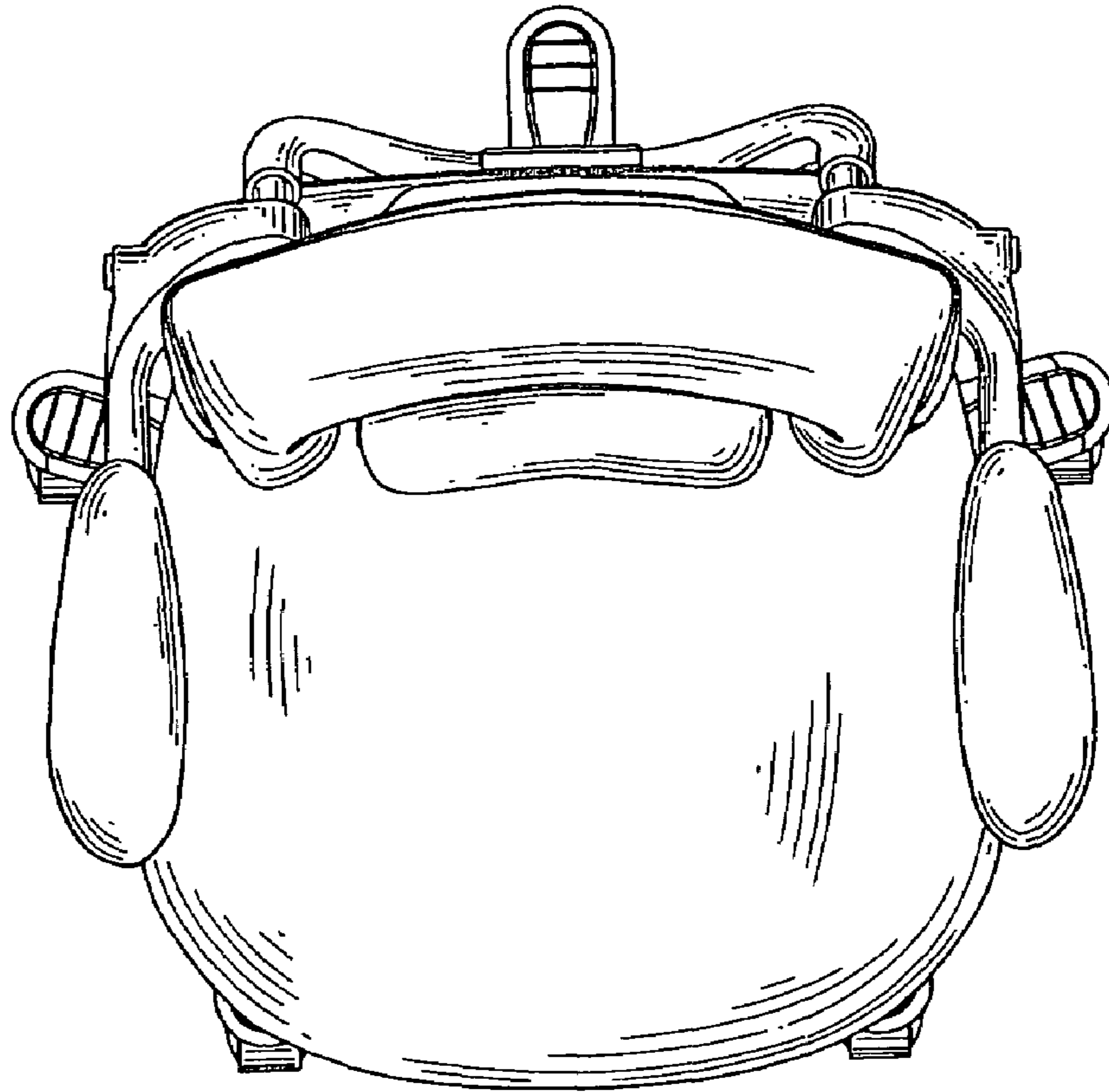


FIG 6

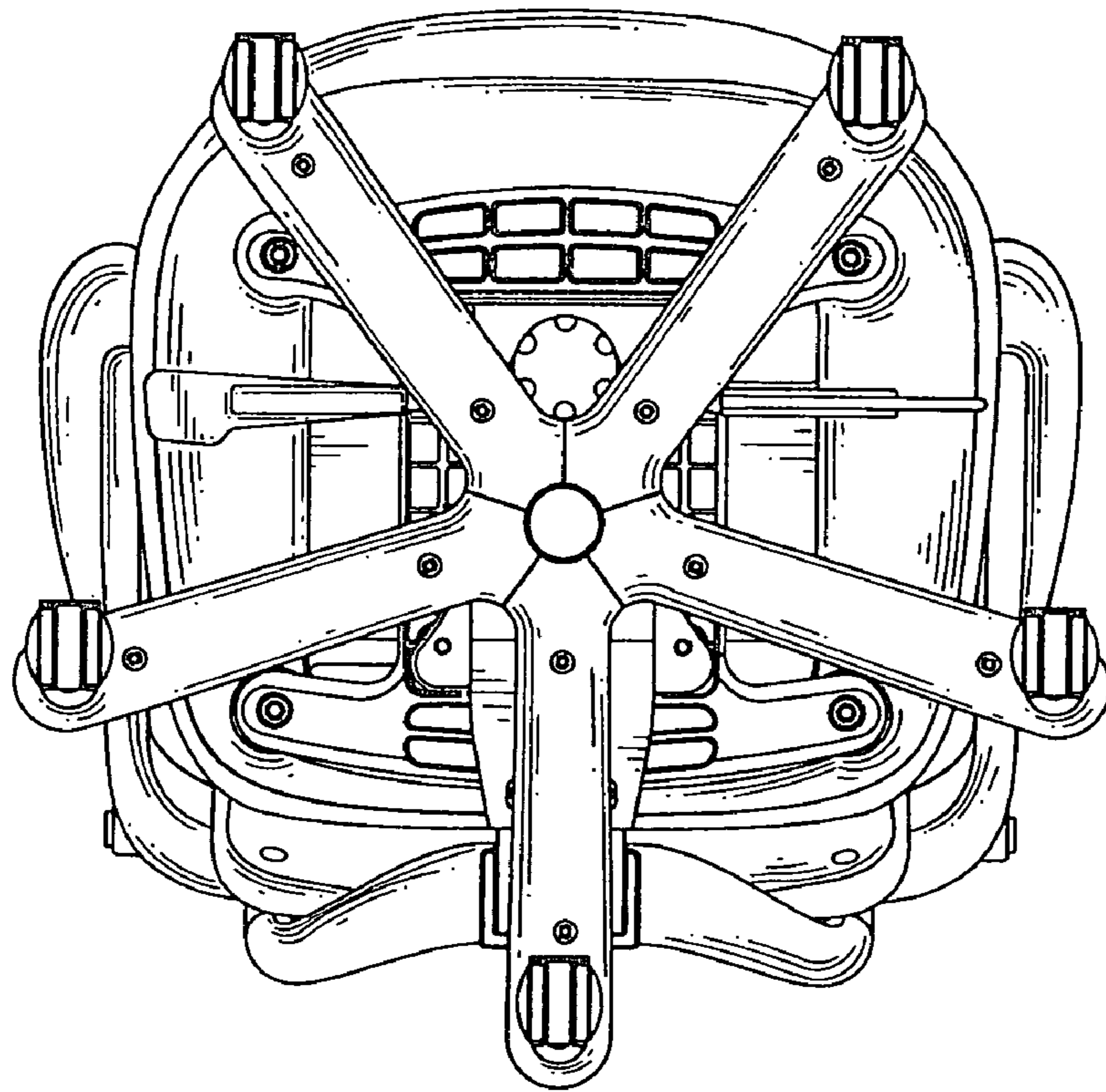


FIG 7