



US00D575959S

(12) **United States Design Patent**
Borovicka et al.

(10) **Patent No.:** **US D575,959 S**
(45) **Date of Patent:** **** Sep. 2, 2008**

(54) **GRIPPING PORTION OF A GRILL BRUSH HANDLE**

(76) Inventors: **Cory Thomas Borovicka**, 125 Fair Oaks St., San Francisco, CA (US) 94110;
Charles Adams, 2816 Fulton St., Berkeley, CA (US) 94705

(**) Term: **14 Years**

(21) Appl. No.: **29/285,988**

(22) Filed: **Apr. 18, 2007**

Related U.S. Application Data

(63) Continuation-in-part of application No. 29/268,286, filed on Nov. 2, 2006, now Pat. No. Des. 547,552.

(51) **LOC (8) Cl.** **04-01**

(52) **U.S. Cl.** **D4/129; D4/138**

(58) **Field of Classification Search** D4/129, D4/138, 199; D7/360, 361, 393, 394, 396; D8/45, 300, 303, 307, 308, DIG. 9, DIG. 10; 15/143.1, 159.1, 160, 235.4-235.8; 16/110.1, 16/412, 413, 422, 425, 426, 430, DIG. 12, 16/DIG. 19, DIG. 30; 220/752, 753, 755, 220/769; 294/58

See application file for complete search history.

(56) **References Cited**

U.S. PATENT DOCUMENTS

D94,407 S * 1/1935 Carlson D8/308
D126,041 S * 3/1941 Cosby D4/129

D131,217 S * 1/1942 Braun D8/308
D317,646 S * 6/1991 Yost D23/252
D329,752 S * 9/1992 Murphy et al. D4/129
D523,318 S * 6/2006 Hanna D8/308
D532,279 S * 11/2006 Bouroullec et al. D8/308

* cited by examiner

Primary Examiner—Melanie Tung

Assistant Examiner—Lavone D Tabor

(74) *Attorney, Agent, or Firm*—Donald L. Beeson; Beeson Skinner Beverly, LLP

(57) **CLAIM**

The ornamental design for a gripping portion of a grill brush handle, as shown and described.

DESCRIPTION

FIG. 1 is a top perspective view of a gripping portion of a grill brush handle showing our new design;

FIG. 2 is a front elevational view thereof;

FIG. 3 is a rear elevational view thereof;

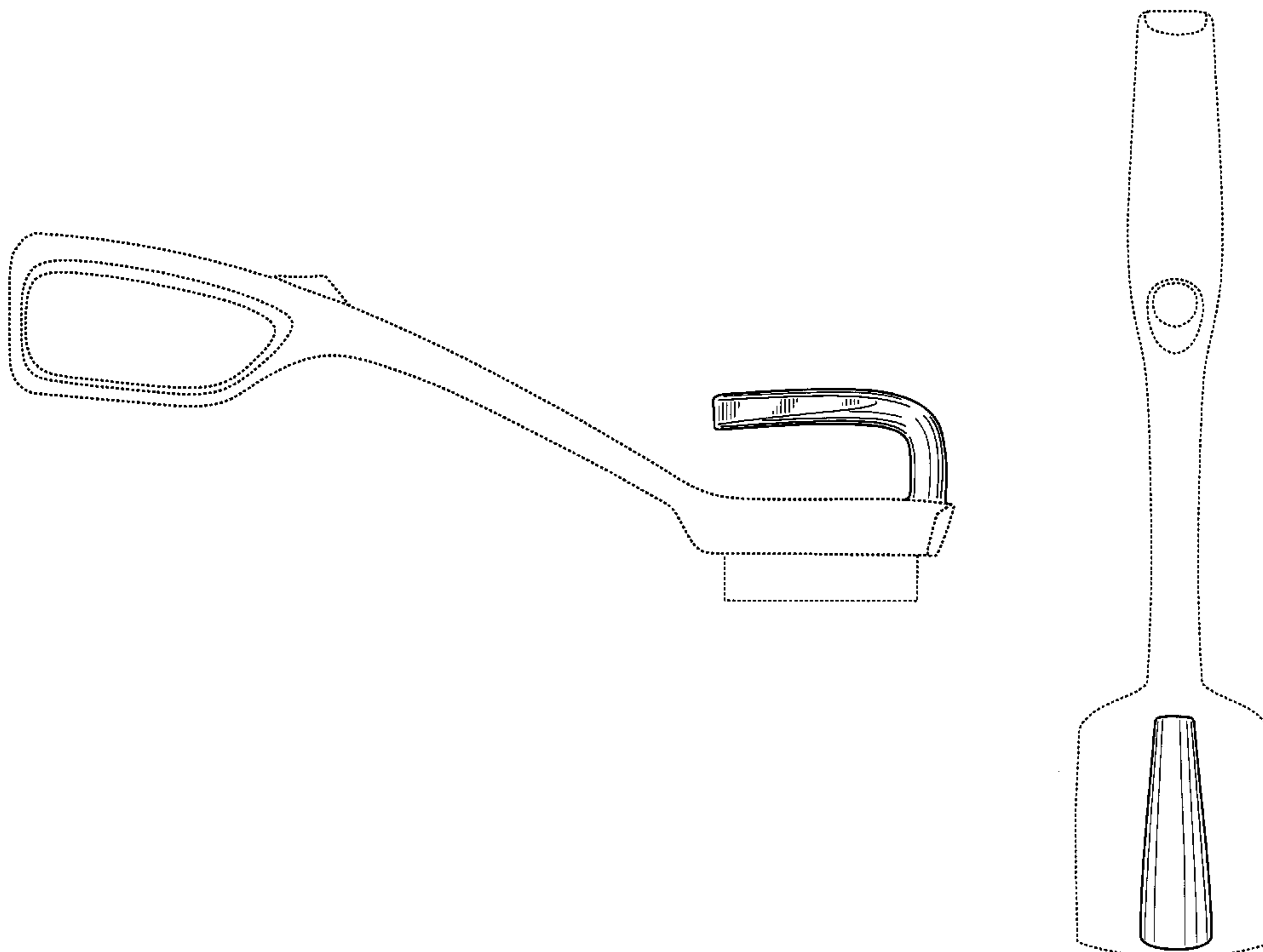
FIG. 4 is a left side elevational view thereof, the right side being a mirror image;

FIG. 5 is a top plan view thereof; and,

FIG. 6 is a bottom plan view thereof.

The broken lines in FIG. 6 represent the bounds of the claimed design while all other broken lines are directed to environment and are for illustrative purposes only; the broken lines form no part of the claimed design.

1 Claim, 4 Drawing Sheets



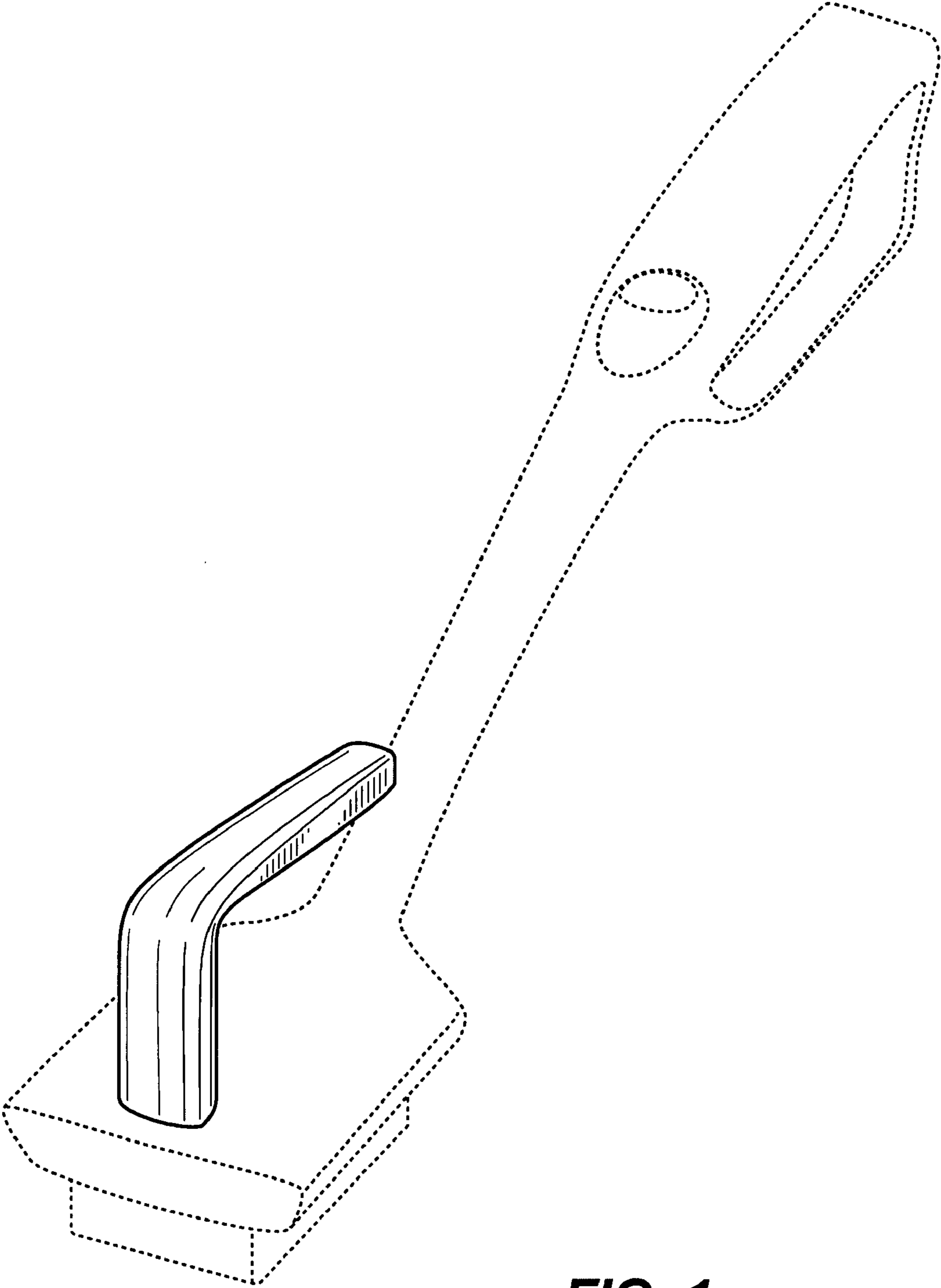


FIG. 1

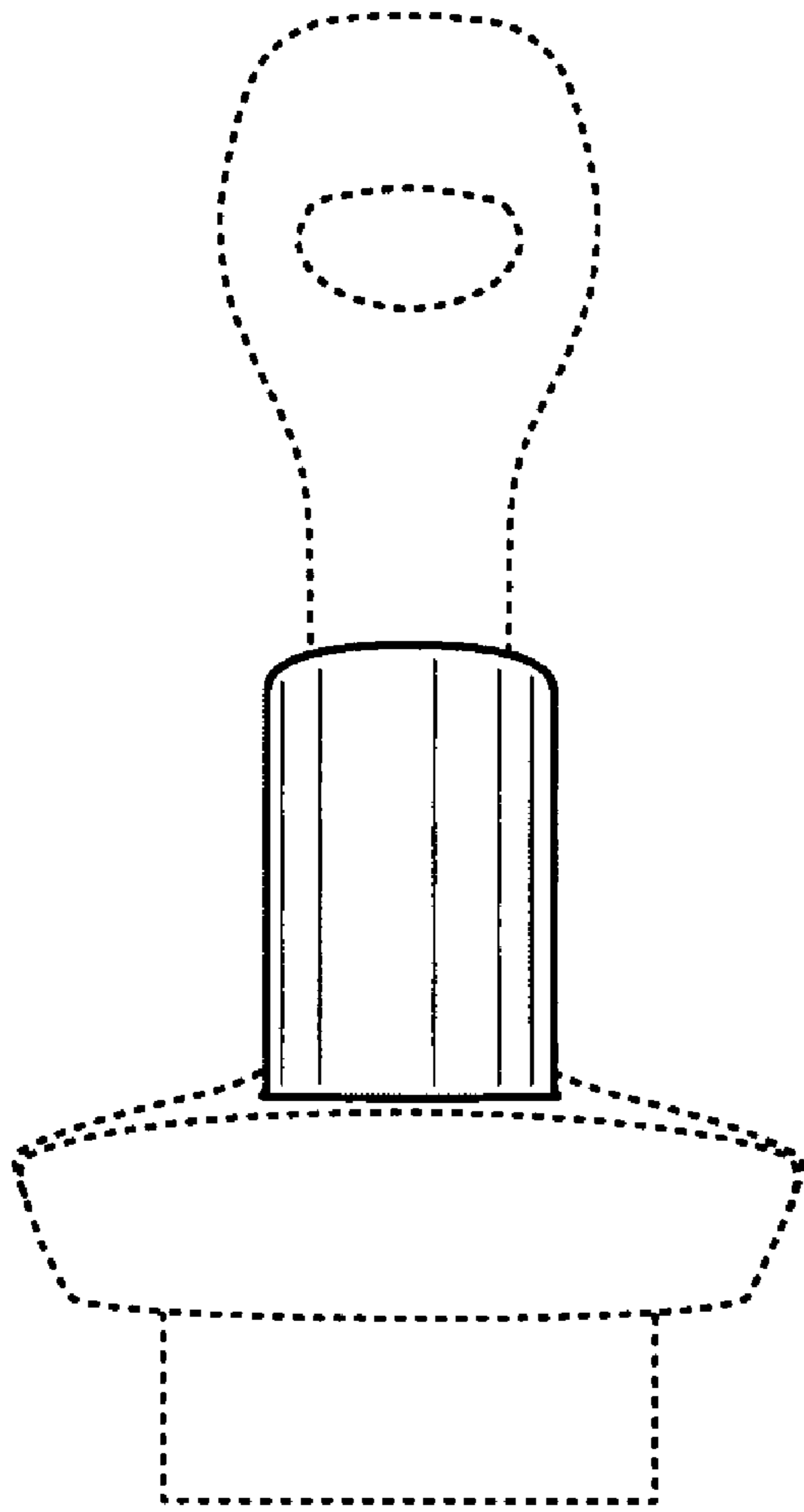


FIG. 2

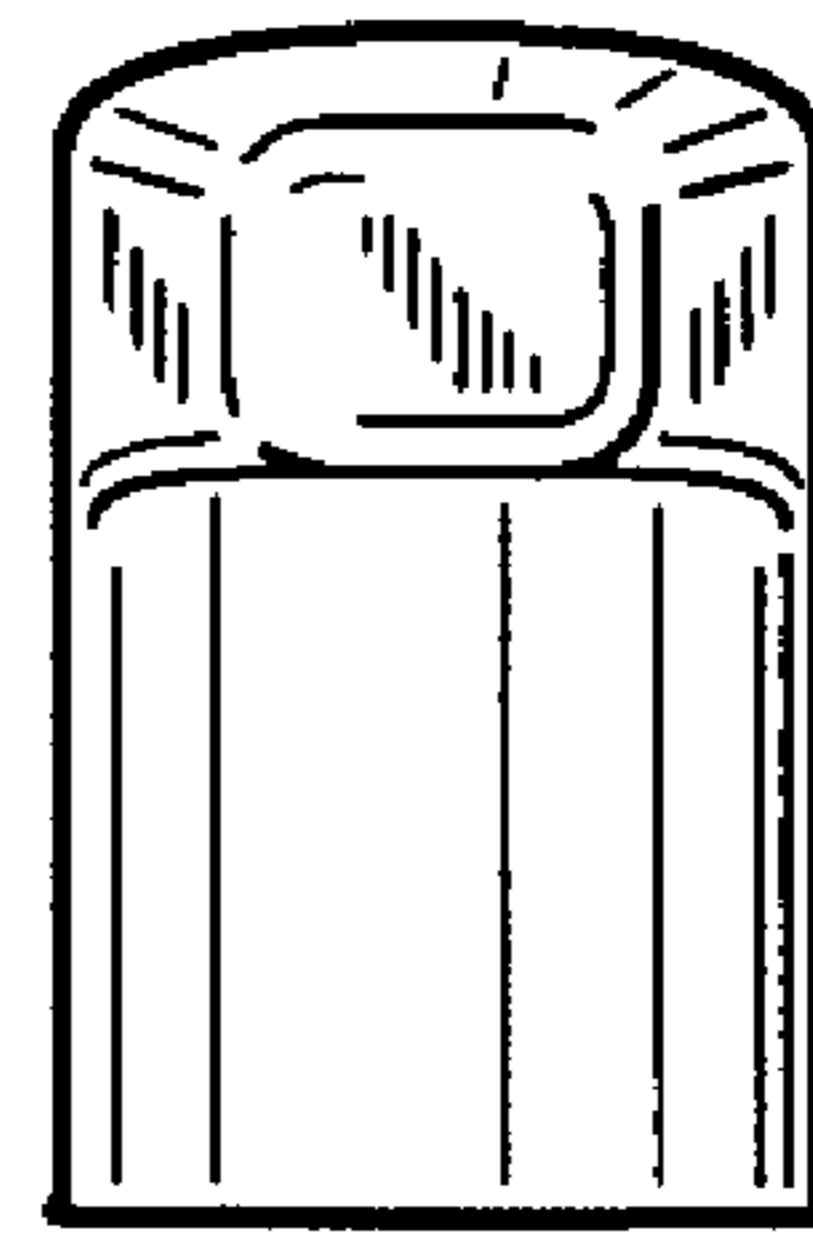


FIG. 3

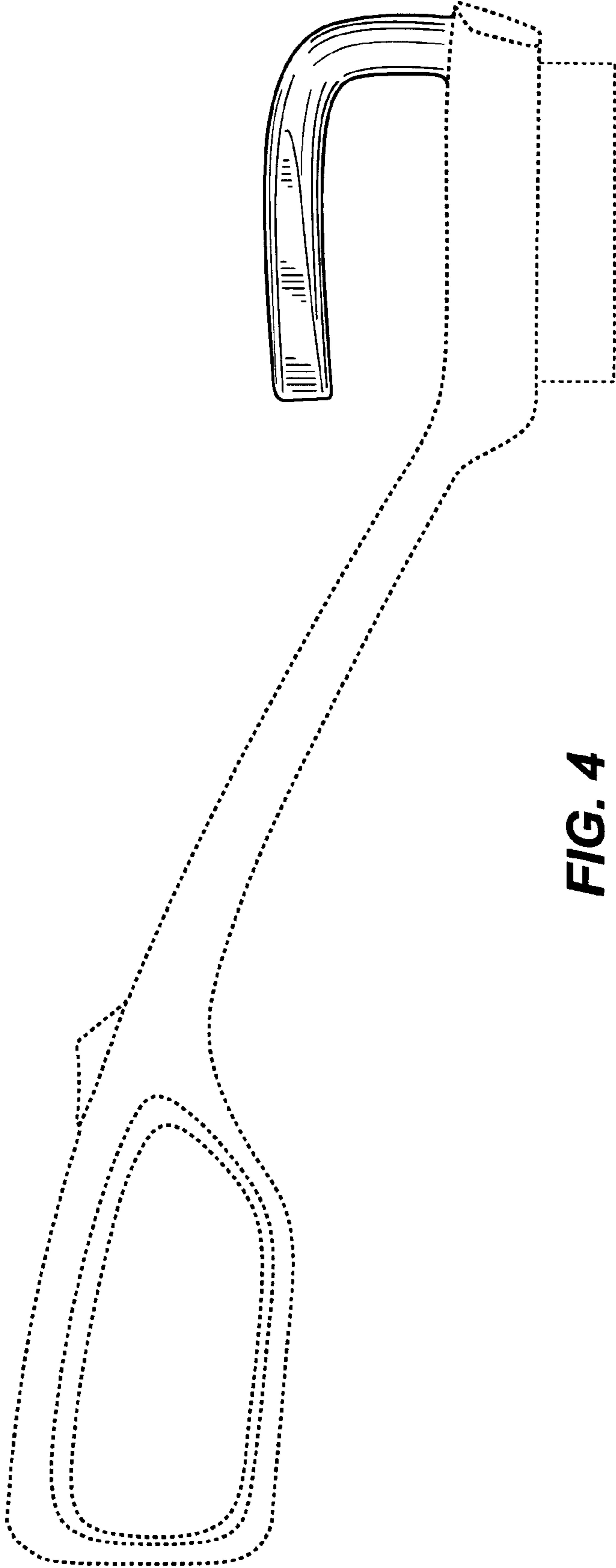


FIG. 4

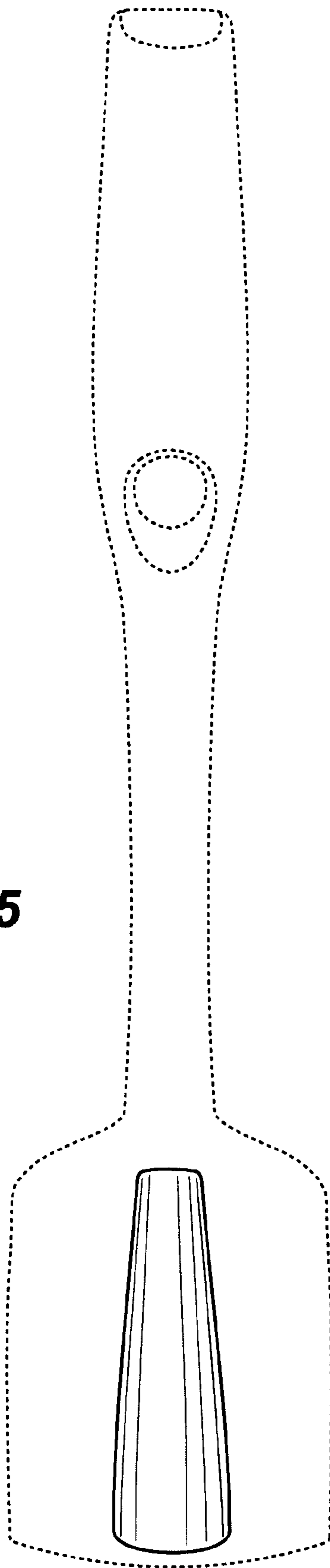


FIG. 5

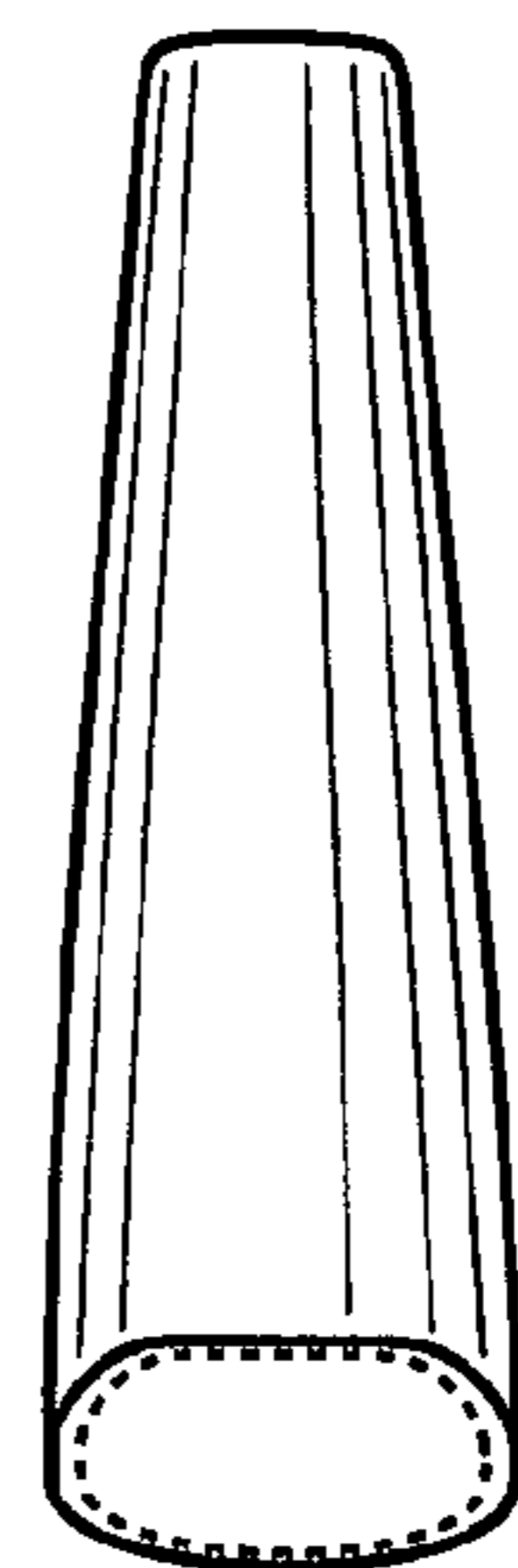


FIG. 6