



US00D575956S

(12) **United States Design Patent**
Reardon et al.

(10) **Patent No.:** **US D575,956 S**
(45) **Date of Patent:** **** Sep. 2, 2008**

(54) **COMPARTMENTED CONTAINER**

(75) Inventors: **Kevin M. Reardon**, Chester, NJ (US);
Angela Smith, Novato, CA (US)

(73) Assignee: **Carretta USA, Inc.**, Mt. Arlington, NJ
(US)

(**) Term: **14 Years**

(21) Appl. No.: **29/288,688**

(22) Filed: **Jun. 18, 2007**

(51) **LOC (8) Cl.** **03-01**

(52) **U.S. Cl.** **D3/295**

(58) **Field of Classification Search** D3/201,
D3/203.1–203.3, 263–266, 273, 294–295;
D9/418; D19/75; D21/392; D28/73; 206/5,
206/6, 315.1, 538, 776

See application file for complete search history.

(56) **References Cited**

U.S. PATENT DOCUMENTS

| | | | | | |
|------------|---|---------|----------------|-------|---------|
| D136,596 S | * | 11/1943 | Robson | | D3/284 |
| D264,520 S | * | 5/1982 | Garrett | | D3/295 |
| D273,403 S | * | 4/1984 | DeLuca | | D21/392 |
| D360,525 S | * | 7/1995 | Entwistle | | D3/273 |
| D365,206 S | * | 12/1995 | Goodman | | D3/273 |
| D380,900 S | * | 7/1997 | Pearson et al. | | D3/294 |
| D399,540 S | * | 10/1998 | Wolfenstein | | D21/392 |
| D403,158 S | * | 12/1998 | Au | | D3/294 |
| D459,552 S | * | 6/2002 | Poon | | D28/85 |
| D482,498 S | * | 11/2003 | Jeong | | D28/86 |
| D482,870 S | * | 12/2003 | Veazey | | D3/294 |

D485,680 S * 1/2004 Hasenfrantz D3/265
D543,842 S * 6/2007 Jackson D9/420

* cited by examiner

Primary Examiner—T. Chase Nelson

Assistant Examiner—Roselynn Cody

(74) *Attorney, Agent, or Firm*—Lerner, David, Littenberg,
Krumholz & Mentlik, LLP

(57) **CLAIM**

We claim the ornamental design for a compartmented con-
tainer, as shown and described.

DESCRIPTION

FIG. 1 is top, perspective view of a compartmented container
of the present invention;

FIG. 2 is a front, elevational view of the compartmented
container shown in FIG. 1;

FIG. 3 is a rear, elevational view of the compartmented con-
tainer shown in FIG. 1;

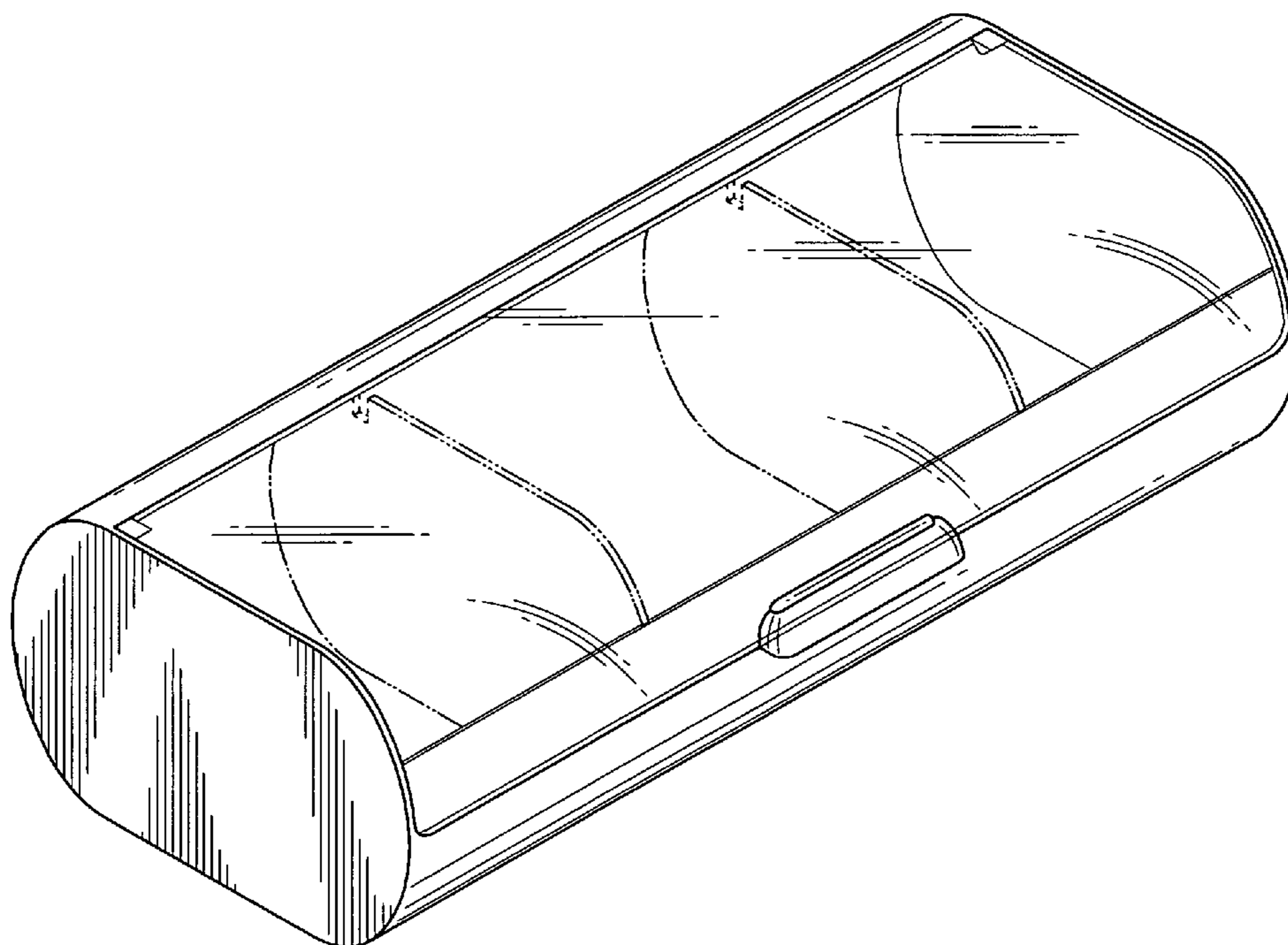
FIG. 4 is a left side, elevational view of the compartmented
container show in FIG. 1, with the right side view being the
mirror image thereof;

FIG. 5 is a top, plan view of the compartmented container
shown in FIG. 1; and,

FIG. 6 is a bottom, plan view of the compartmented container
shown in FIG. 1.

The broken line showing of dividers in FIGS. 1, 2, and 5 is
illustrative of environment only and forms no part of the
claimed design.

1 Claim, 4 Drawing Sheets



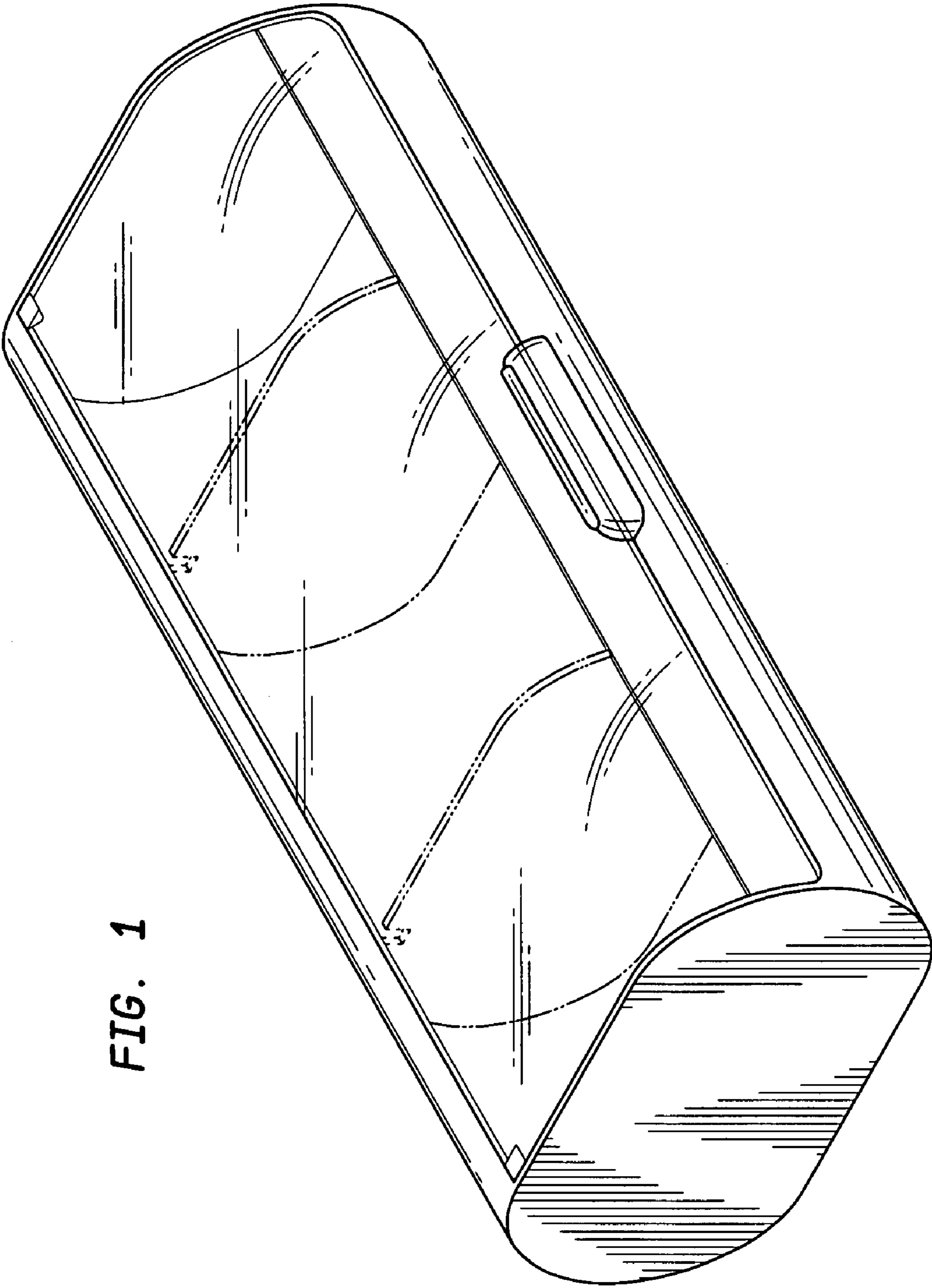


FIG. 1

FIG. 2

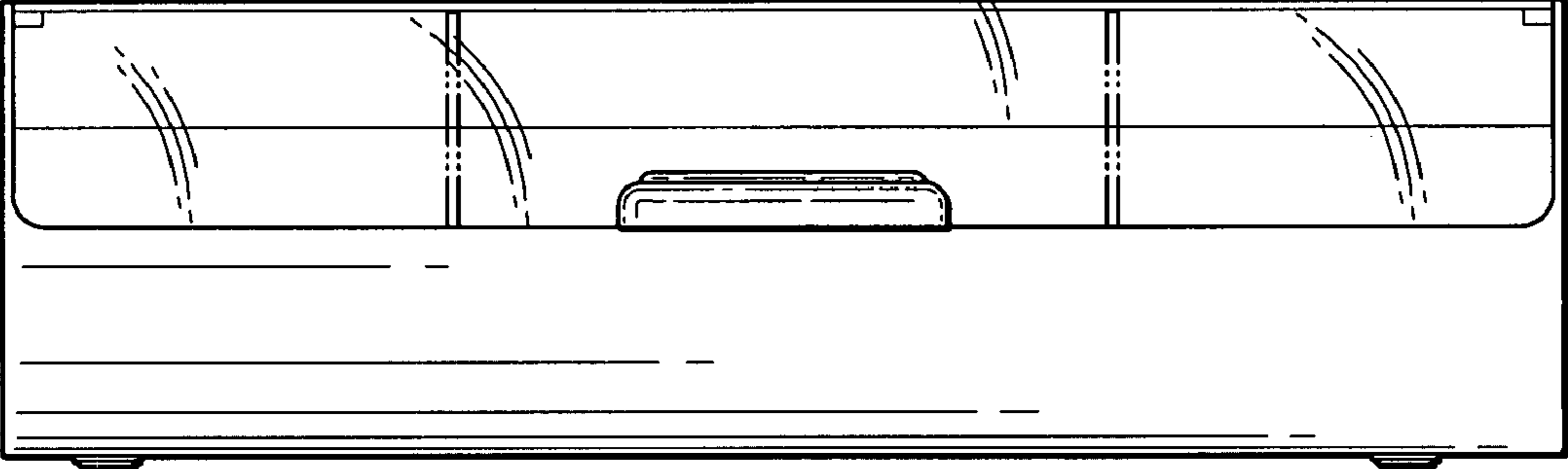


FIG. 3

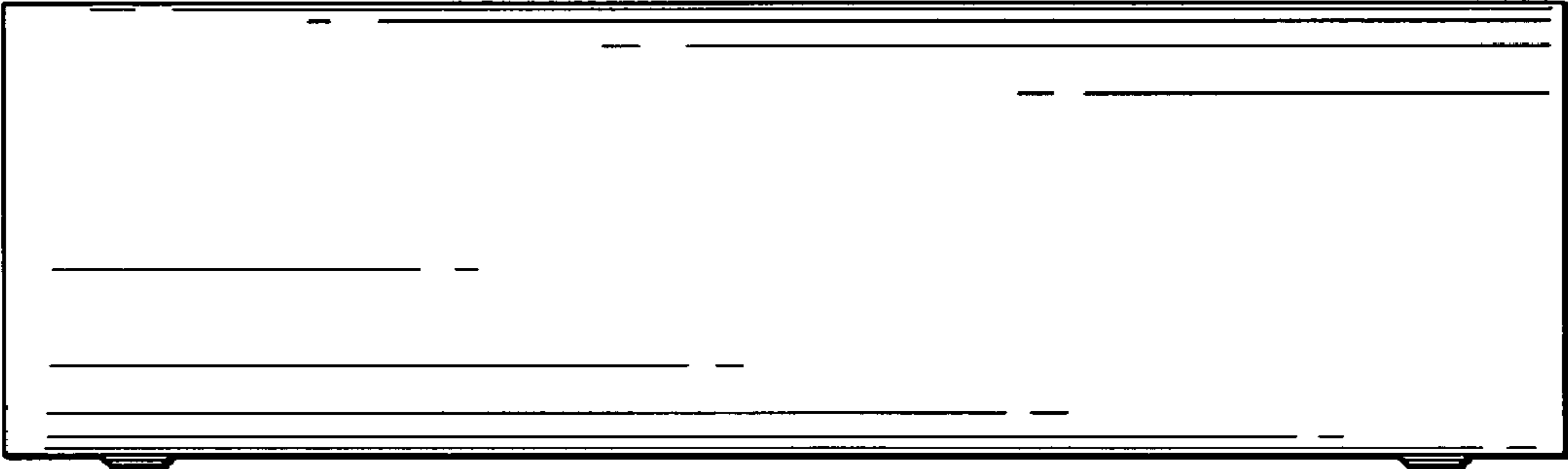


FIG. 4

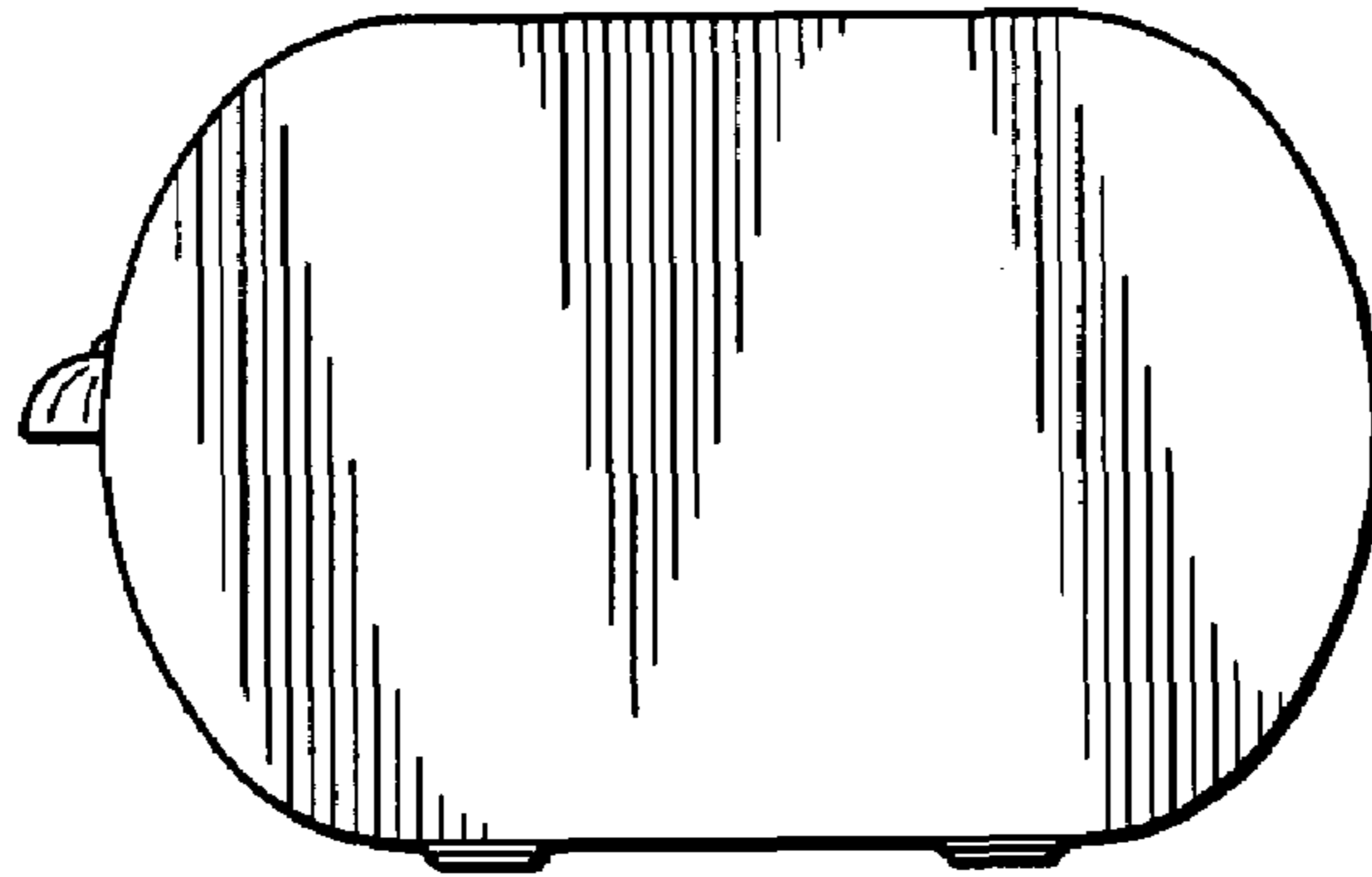


FIG. 5

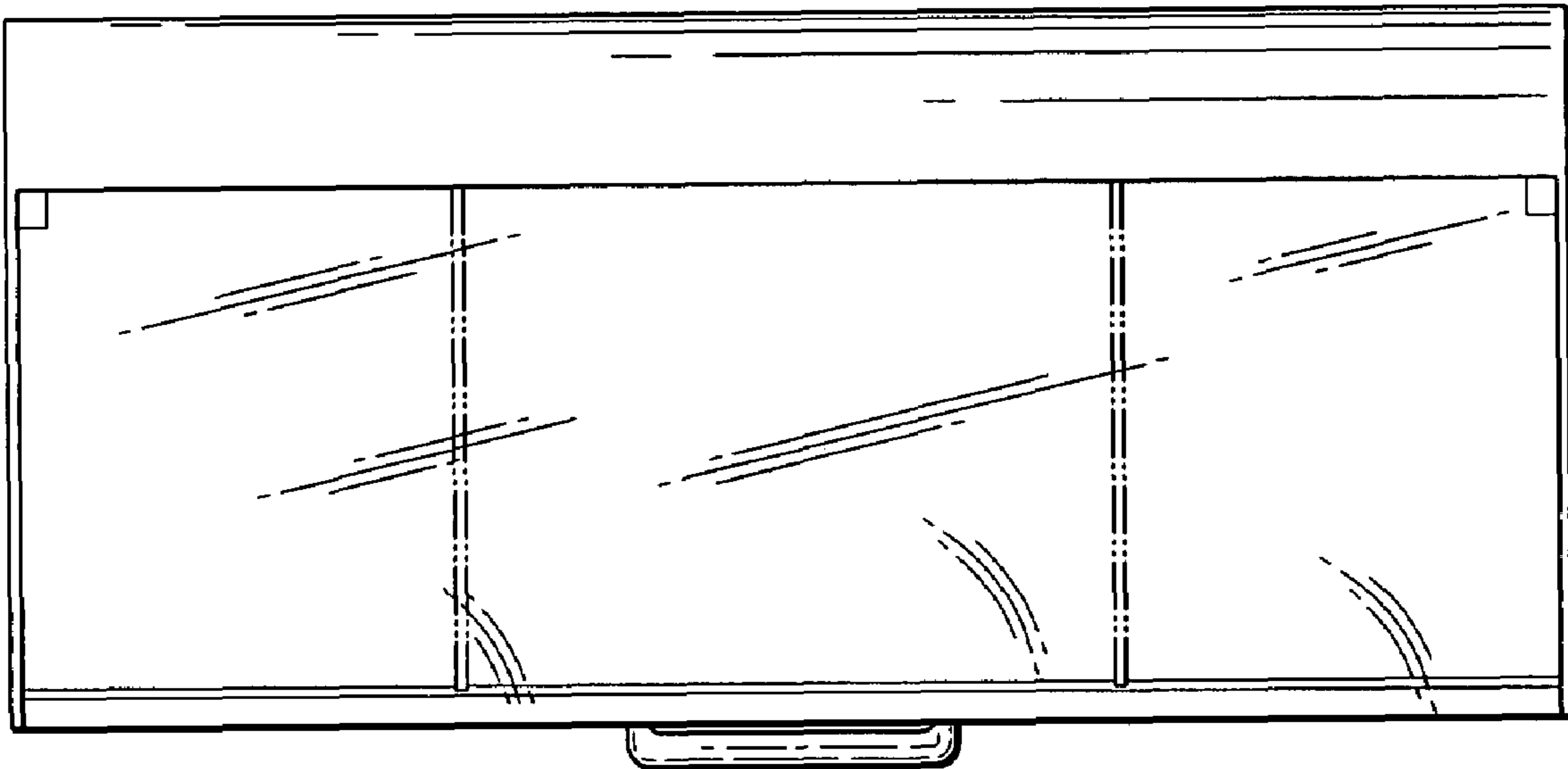


FIG. 6

