



US00D575955S

(12) **United States Design Patent**
Maraia et al.

(10) **Patent No.:** **US D575,955 S**
(45) **Date of Patent:** **** Sep. 2, 2008**

(54) **CONTACT LENS CONTAINER**

(75) Inventors: **Micah L. Maraia**, Menomonie, WI (US); **Christopher L. Peterson**, Chippewa Falls, WI (US)

(73) Assignee: **John O'Hara**, St. Louis, MO (US)

(**) Term: **14 Years**

(21) Appl. No.: **29/282,303**

(22) Filed: **Jul. 16, 2007**

(51) **LOC (8) Cl.** **03-01**

(52) **U.S. Cl.** **D3/264; D3/263**

(58) **Field of Classification Search** **D3/263, D3/264, 266; 206/5, 5.1, 6**
See application file for complete search history.

(56) **References Cited**

U.S. PATENT DOCUMENTS

4,545,479	A *	10/1985	Figari	206/5.1
4,858,754	A *	8/1989	Wright et al.	206/5.1
4,909,382	A	3/1990	Cuppari		
5,280,834	A	1/1994	Berkley		
D354,070	S	1/1995	Chen		
5,431,879	A *	7/1995	Heyl et al.	422/30
5,452,792	A	9/1995	Zautke et al.		
D368,368	S *	4/1996	Merritt	D3/264
D393,721	S	4/1998	Okada		
6,038,997	A	3/2000	Madden		
6,244,430	B1 *	6/2001	Travis	206/5.1
6,318,548	B1 *	11/2001	Travis	206/5.1
6,382,409	B1	5/2002	Scala		
D474,886	S	5/2003	Fleming et al.		
D512,565	S *	12/2005	Sasso	D3/264
7,042,805	B1	5/2006	Kallman		

D534,422	S	1/2007	Hallberg		
D554,368	S	11/2007	O'Hara et al.		
2005/0109638	A1 *	5/2005	Eastman	206/5.1
2007/0000792	A1 *	1/2007	Newman et al.	206/5.1
2007/0261970	A1 *	11/2007	Stull	206/5.1

FOREIGN PATENT DOCUMENTS

EP		49767	A2 *	4/1982	206/5.1
----	--	-------	------	--------	-------	---------

* cited by examiner

Primary Examiner—Celia A Murphy

(74) *Attorney, Agent, or Firm*—Hovey Williams LLP

(57) **CLAIM**

The ornamental design for a contact lens container, as shown and described.

DESCRIPTION

FIG. 1 is a right front perspective view of our ornamental design for a contact lens container, with the indicia on the caps being shown in broken lines for environmental purposes and forming no part of the claimed design;

FIG. 2 is a bottom left rear perspective view thereof;

FIG. 3 is a top plan view thereof;

FIG. 4 is a bottom view thereof;

FIG. 5 is a front elevational view thereof;

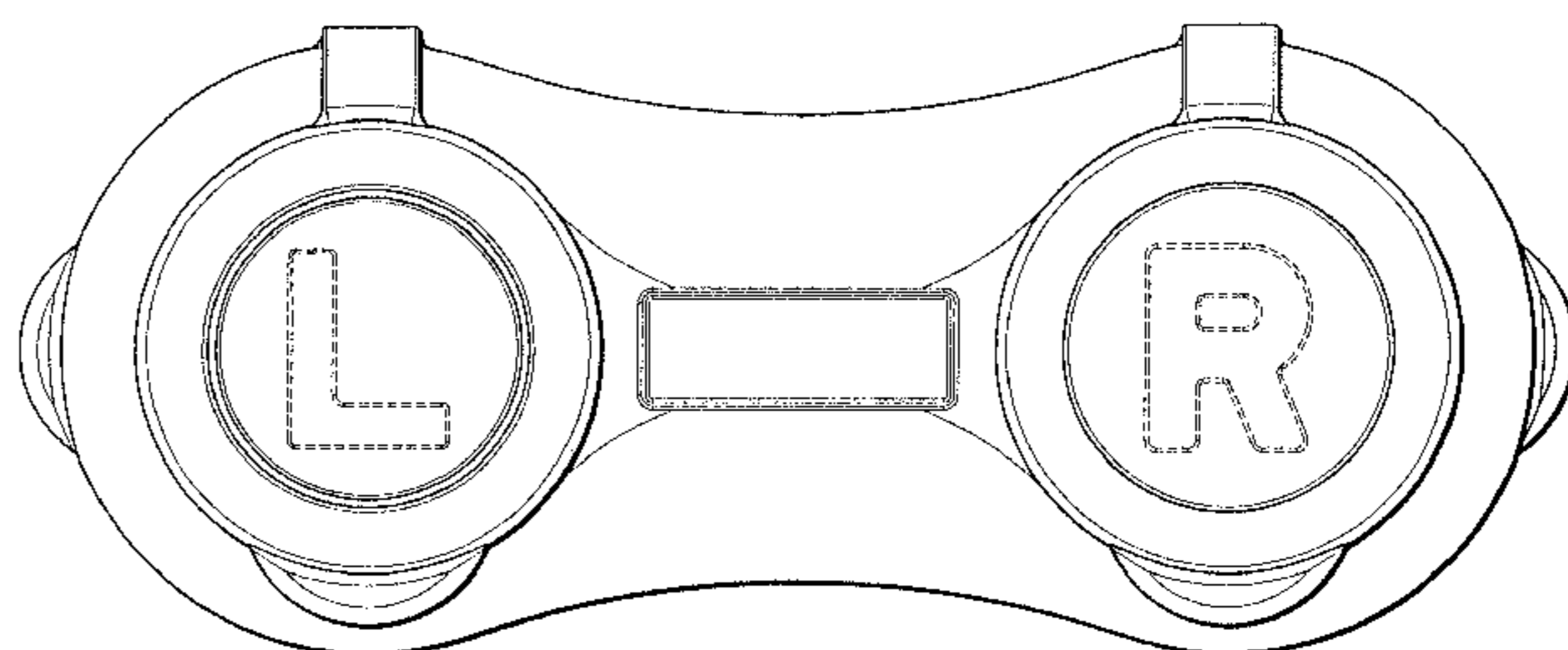
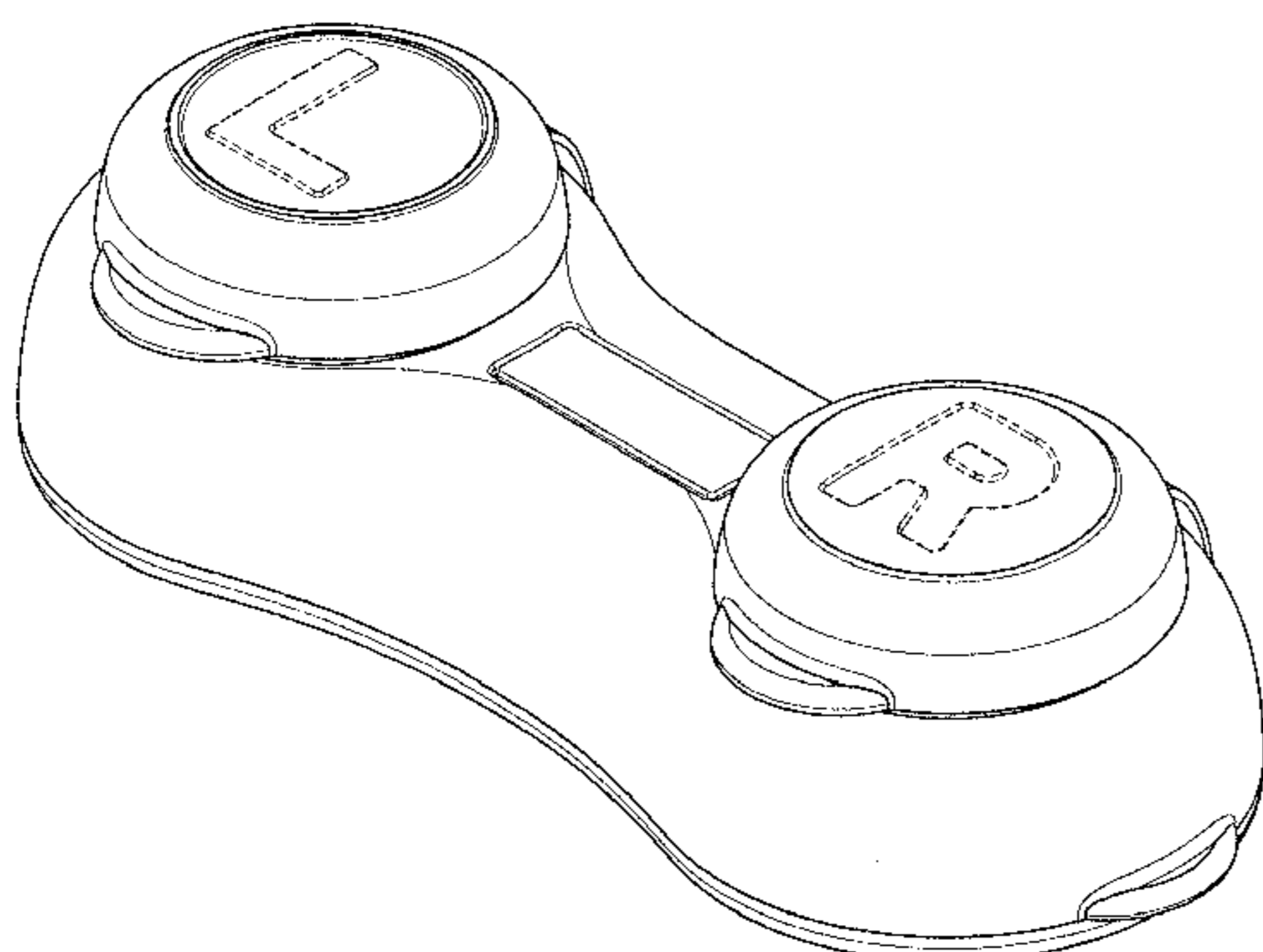
FIG. 6 is a rear elevational view thereof;

FIG. 7 is a left side elevational view thereof; and,

FIG. 8 is a right side elevational view thereof.

The broken showing the alpha characters "L" and "R" in FIGS. 1, 3, & 5–8 along with the 2 pairs of broken lines shown in FIGS. 2 & 4 define the boundaries of the design.

1 Claim, 3 Drawing Sheets



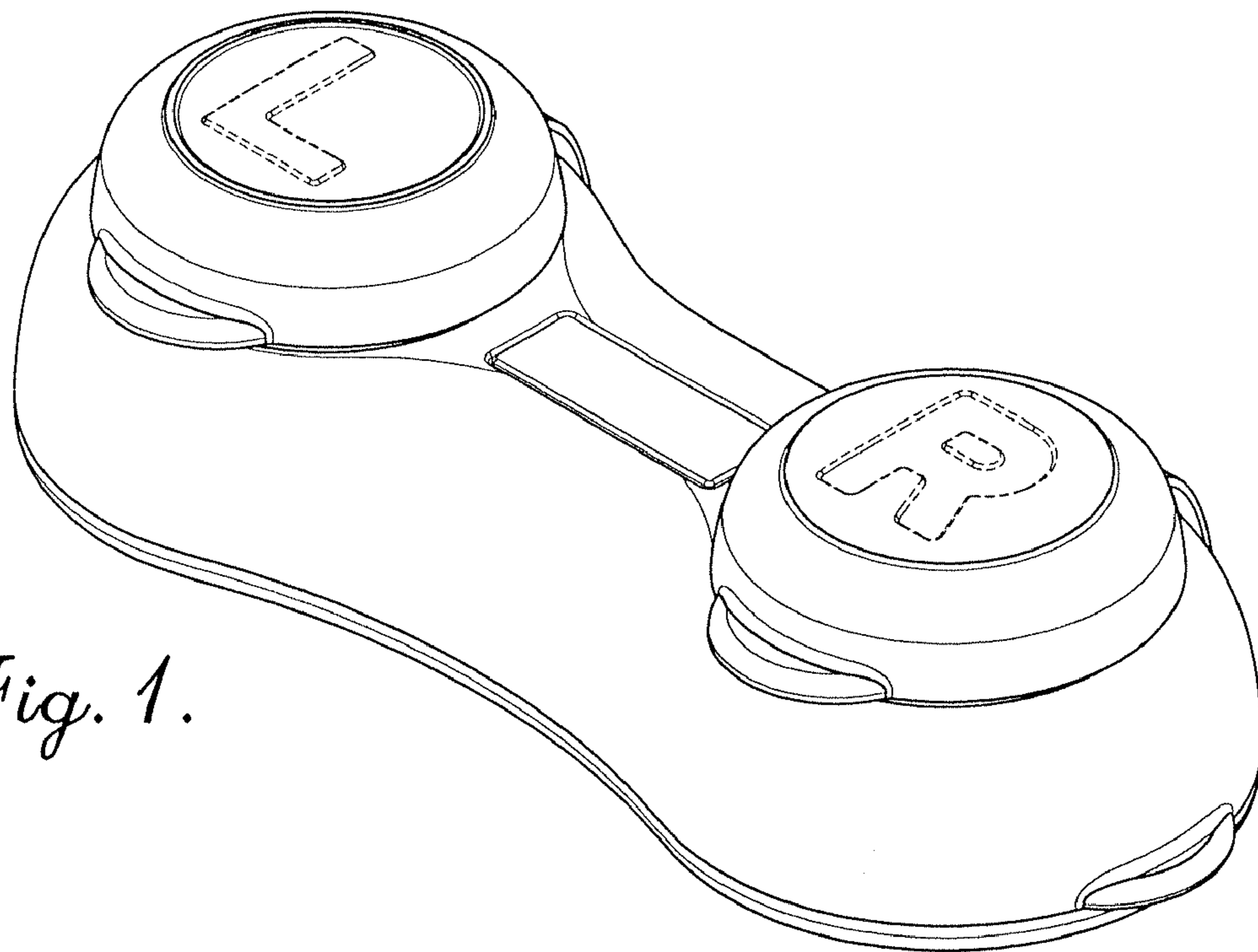


Fig. 1.

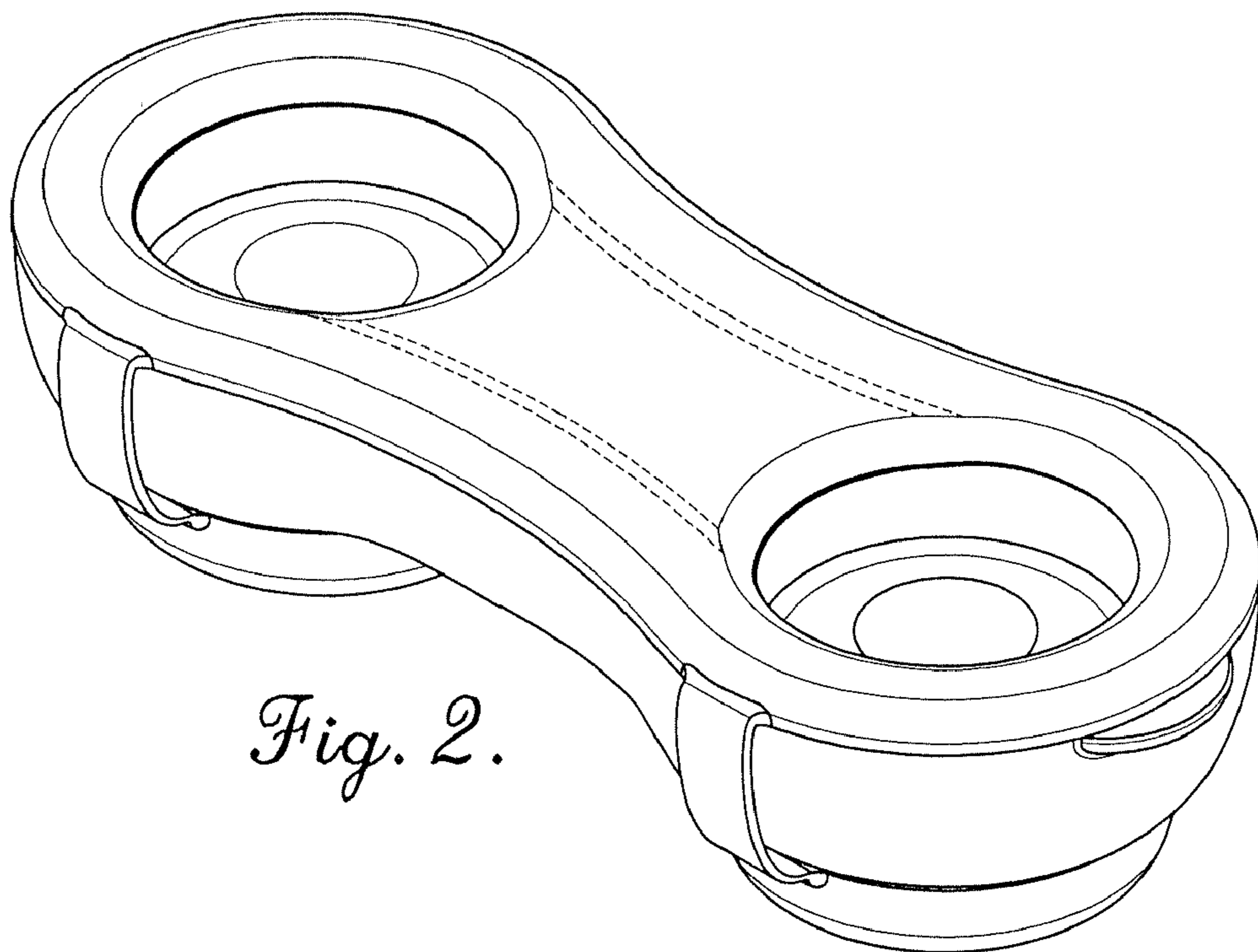


Fig. 2.

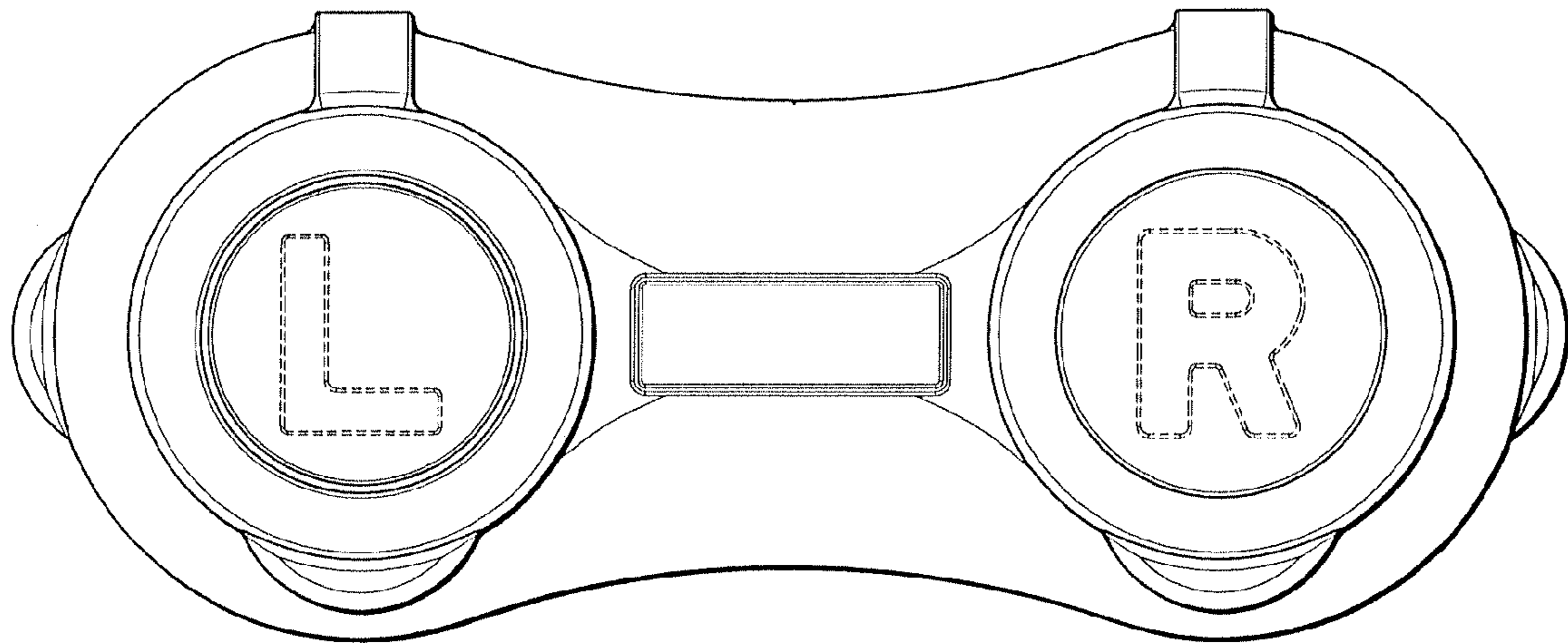


Fig. 3.

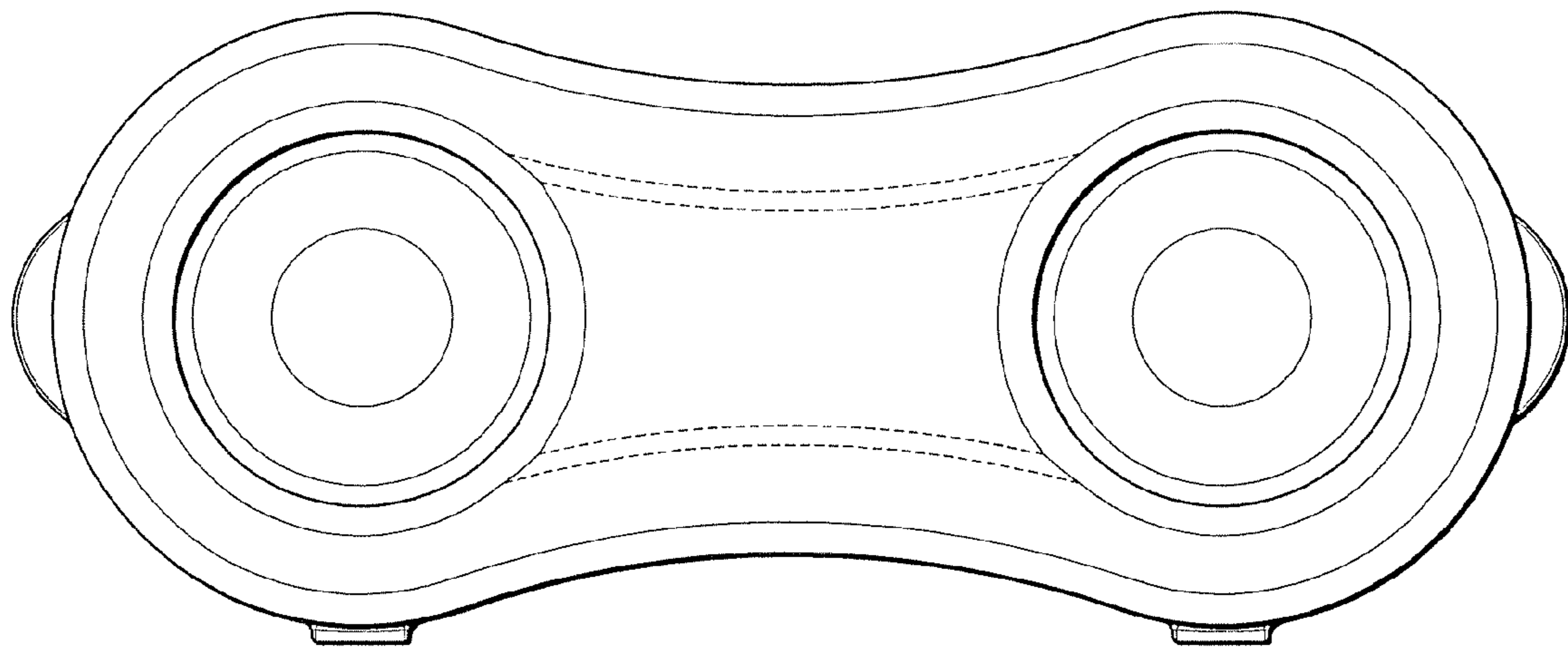


Fig. 4.

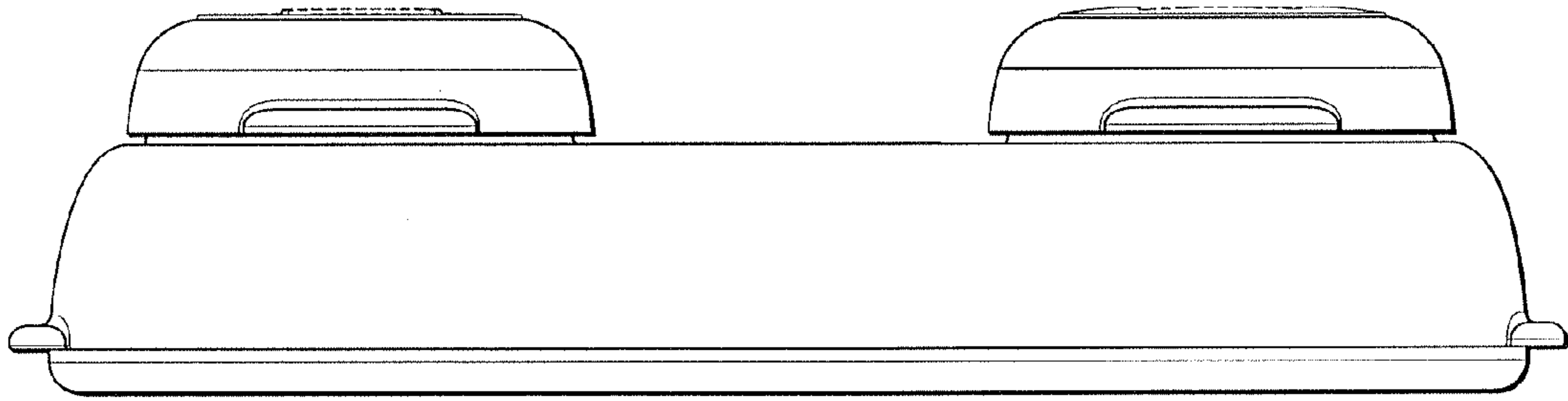


Fig. 5.

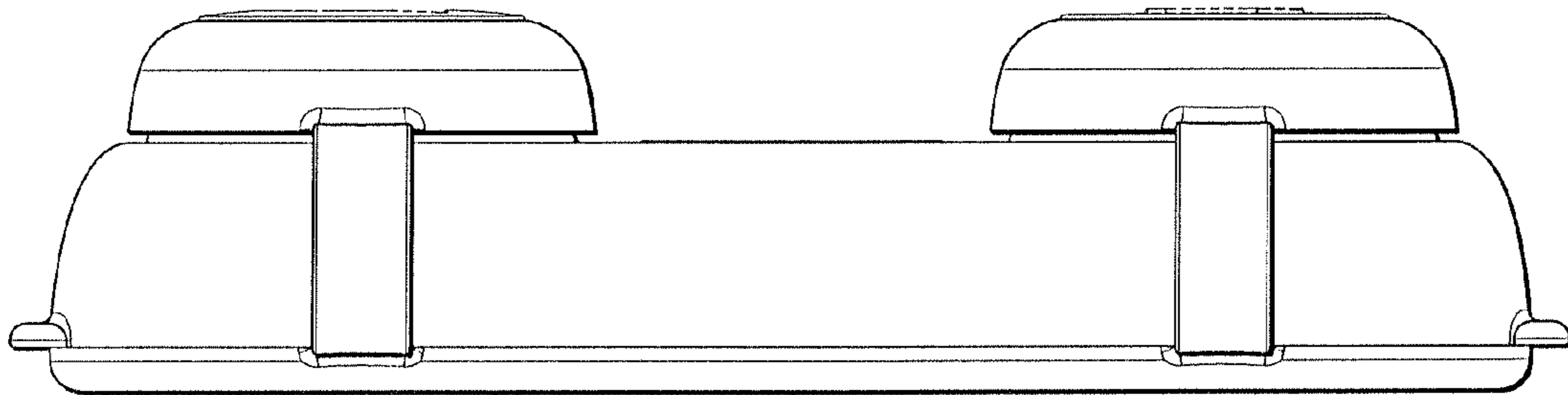


Fig. 6.

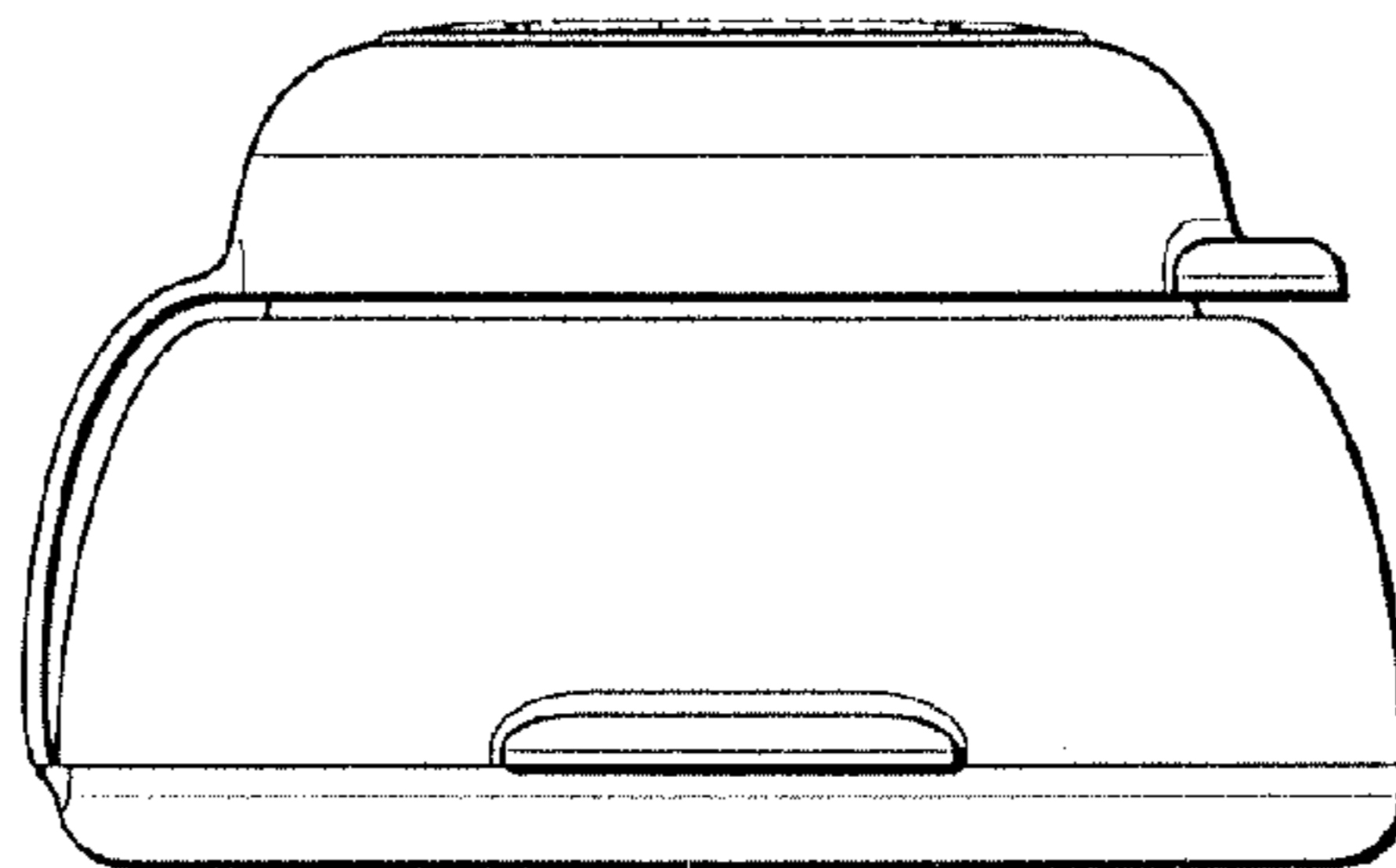


Fig. 7.

Fig. 8.

