



US00D575952S

(12) **United States Design Patent**
Forbes et al.

(10) **Patent No.:** **US D575,952 S**
(45) **Date of Patent:** **** Sep. 2, 2008**

(54) **RESPIRATOR BAG**

(75) Inventors: **Steven Forbes**, Bath (GB); **Matthew James Hodgson**, Wiltshire (GB)

(73) Assignee: **Avon Polymer Products Limited**, Wiltshire (GB)

(**) Term: **14 Years**

(21) Appl. No.: **29/284,278**

(22) Filed: **Sep. 5, 2007**

(30) **Foreign Application Priority Data**

Mar. 9, 2007 (EM) 000688866

(51) **LOC (8) Cl.** **03-01**

(52) **U.S. Cl.** **D3/203.1**

(58) **Field of Classification Search** D3/203.1,
D3/203.6, 203.7, 201, 205, 272-274, 301,
D3/232-238; 206/530-538, 570, 810, 828,
206/545

See application file for complete search history.

(56) **References Cited**

U.S. PATENT DOCUMENTS

D238,979 S * 2/1976 Perry D3/203.1

D315,249 S * 3/1991 Tilson D3/203.1
D413,436 S * 9/1999 Melvin et al. D3/234
D532,967 S * 12/2006 Wong D3/234
D546,552 S * 7/2007 Dawson D3/203.1
D565,837 S * 4/2008 Miles D3/203.1

* cited by examiner

Primary Examiner—Catherine R Oliver

(74) *Attorney, Agent, or Firm*—McGarry Bair PC

(57) **CLAIM**

The ornamental design for a respirator bag, as shown and described.

DESCRIPTION

FIG. 1 is a front left top perspective view of a respirator bag which embodies my design;

FIG. 2 is a rear right top perspective view thereof;

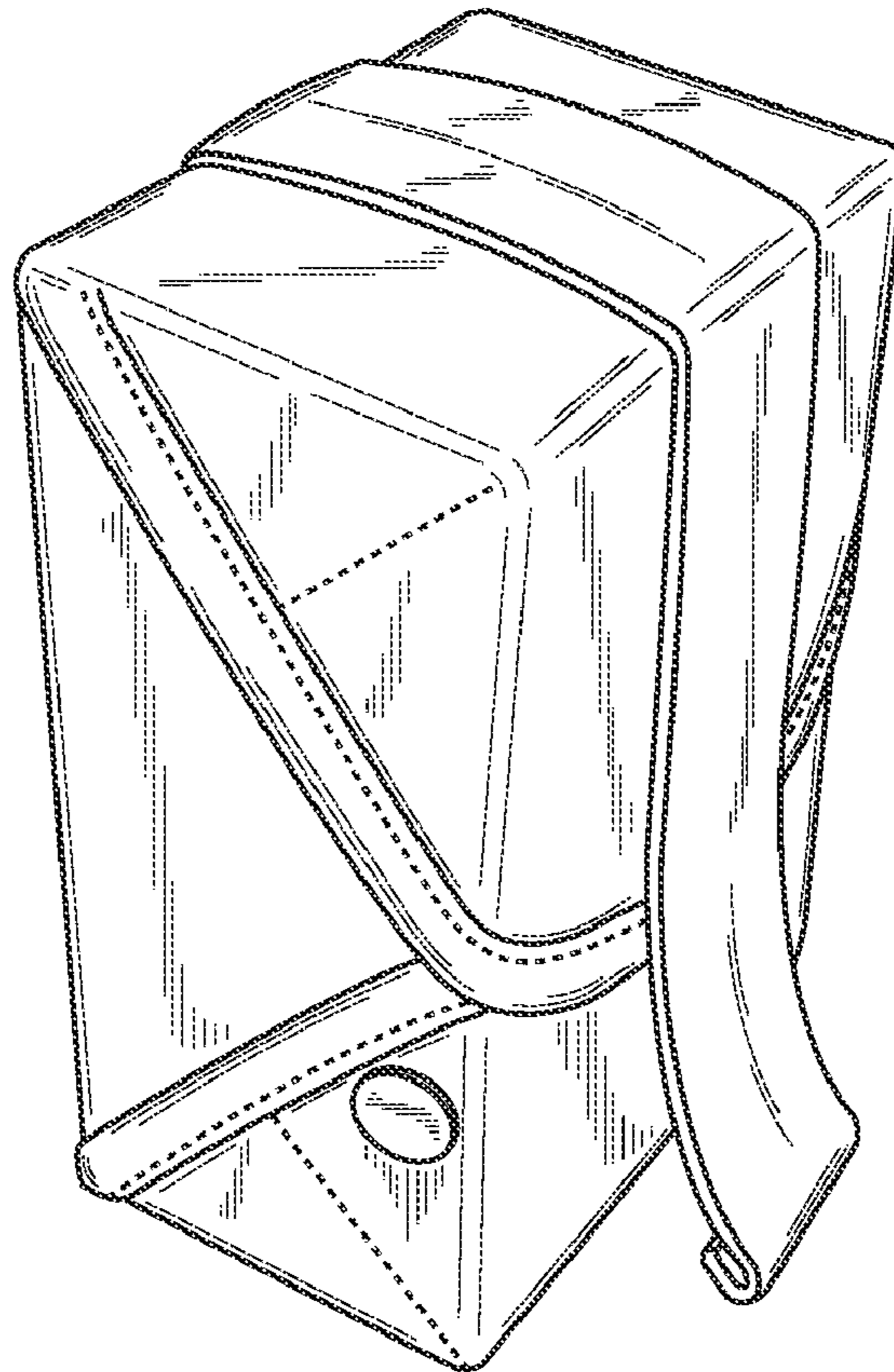
FIG. 3 is a front right bottom perspective view thereof;

FIG. 4 is a front right top perspective view thereof with the cover open;

FIG. 5 is a rear left top perspective view thereof with the cover open; and,

FIG. 6 is a front right bottom perspective view thereof with the cover open.

1 Claim, 4 Drawing Sheets



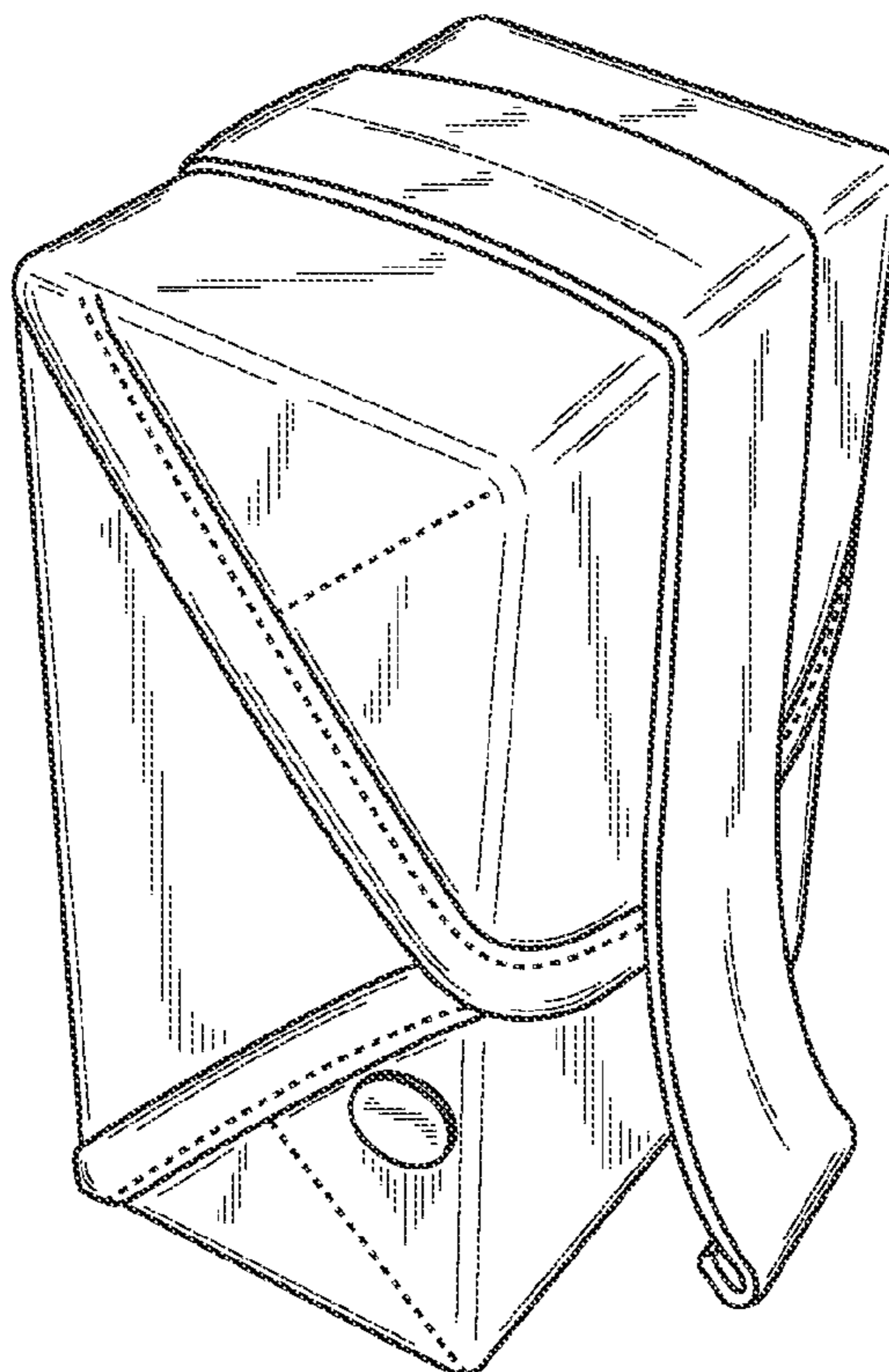


Fig. 1

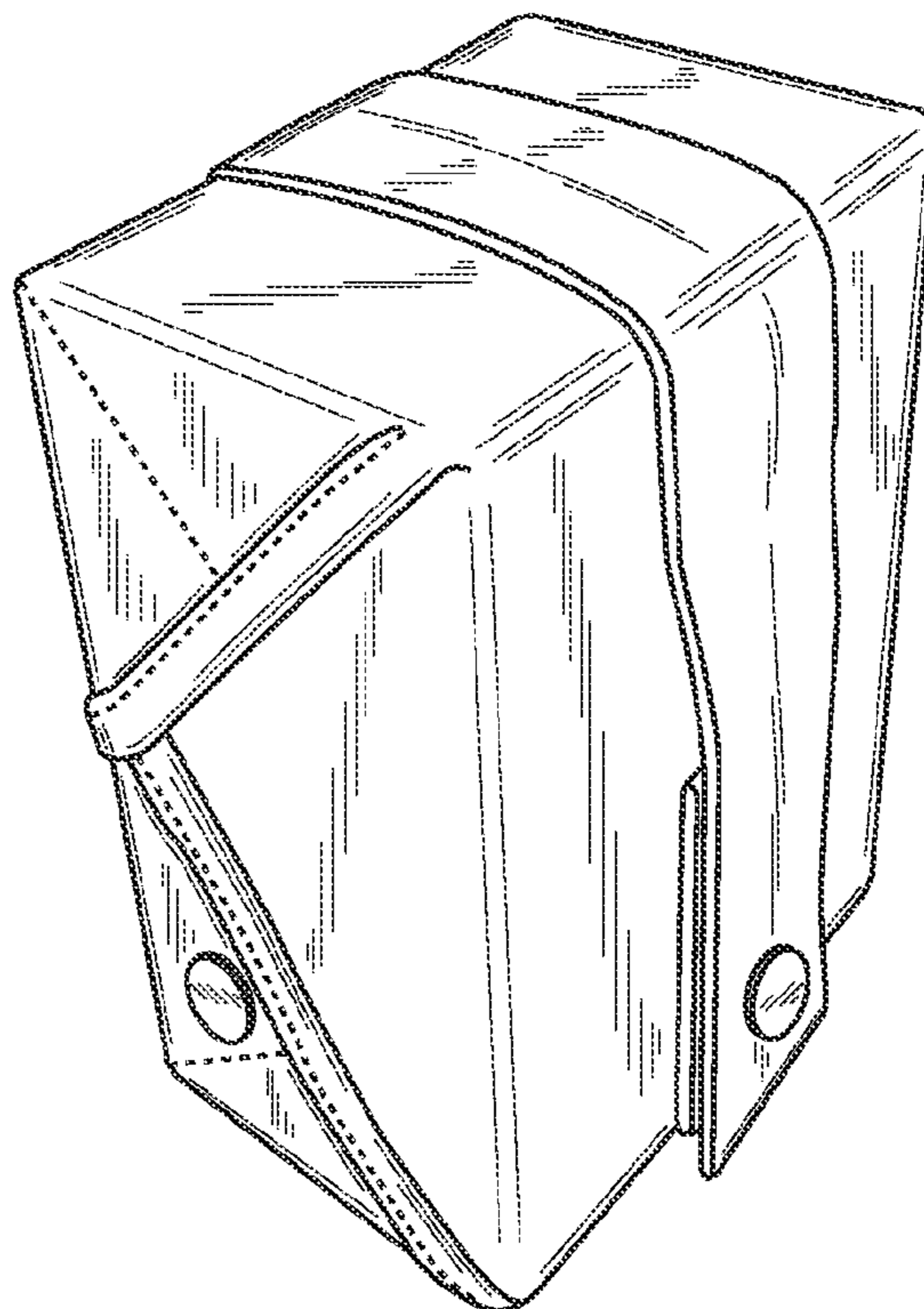


Fig. 2

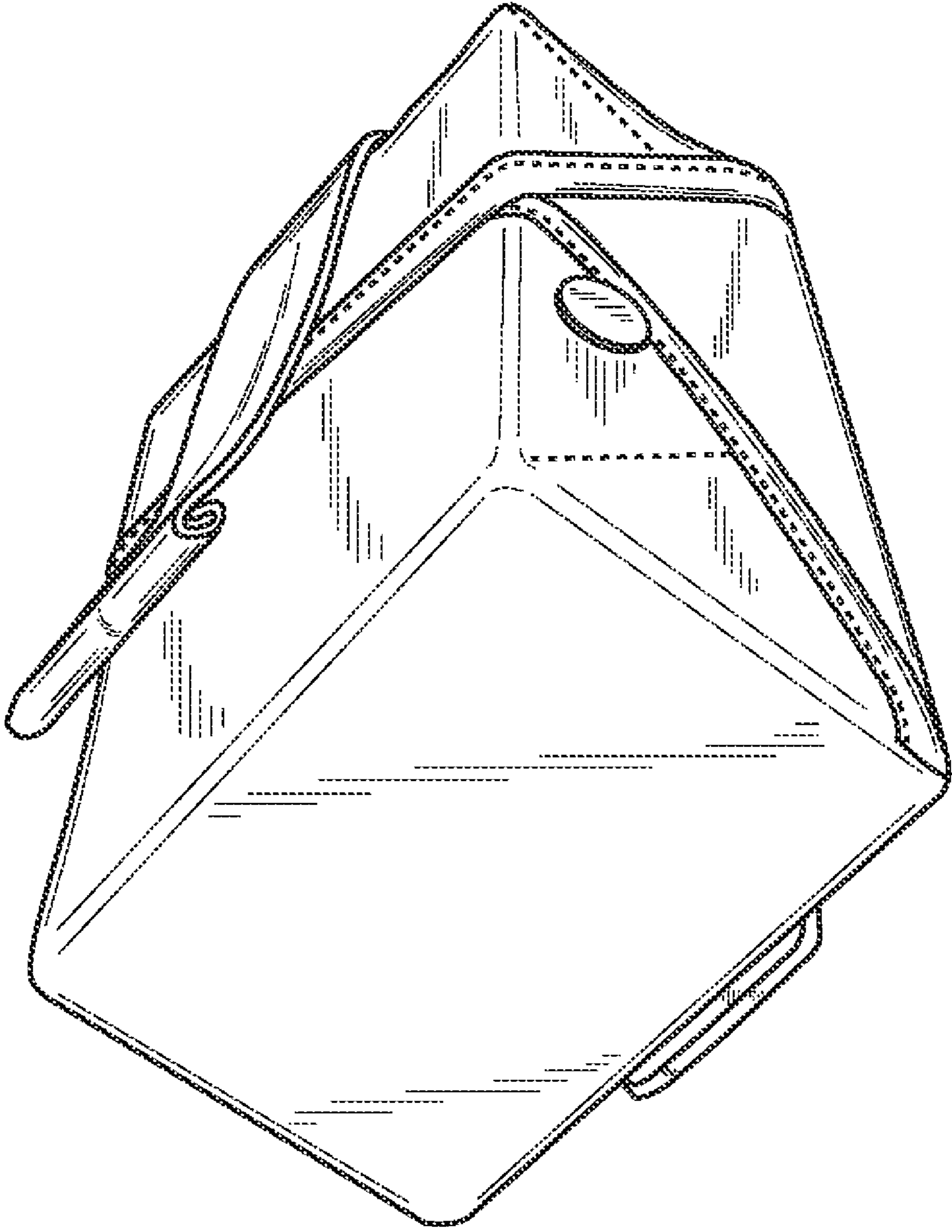


Fig. 3

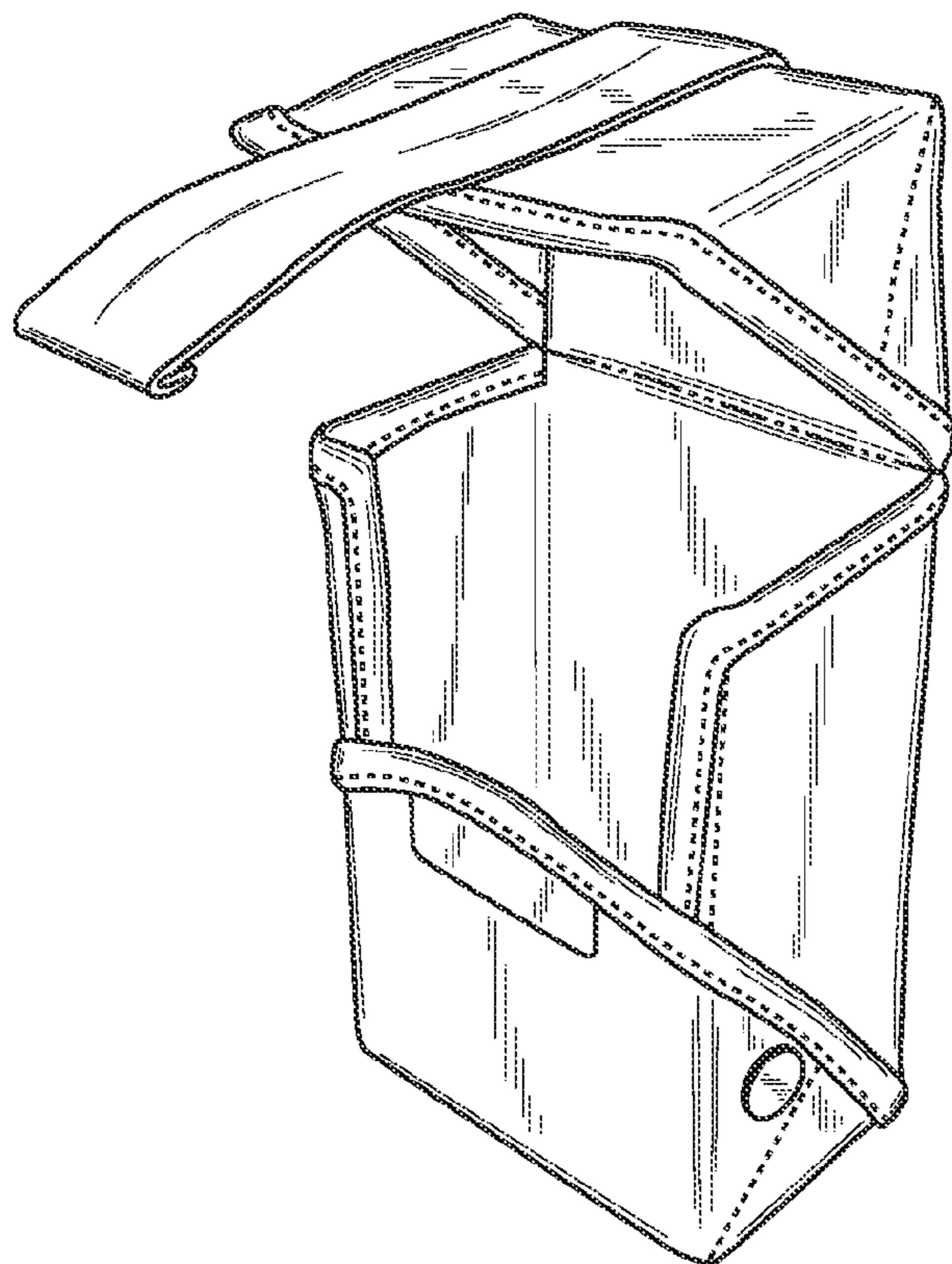


Fig. 4

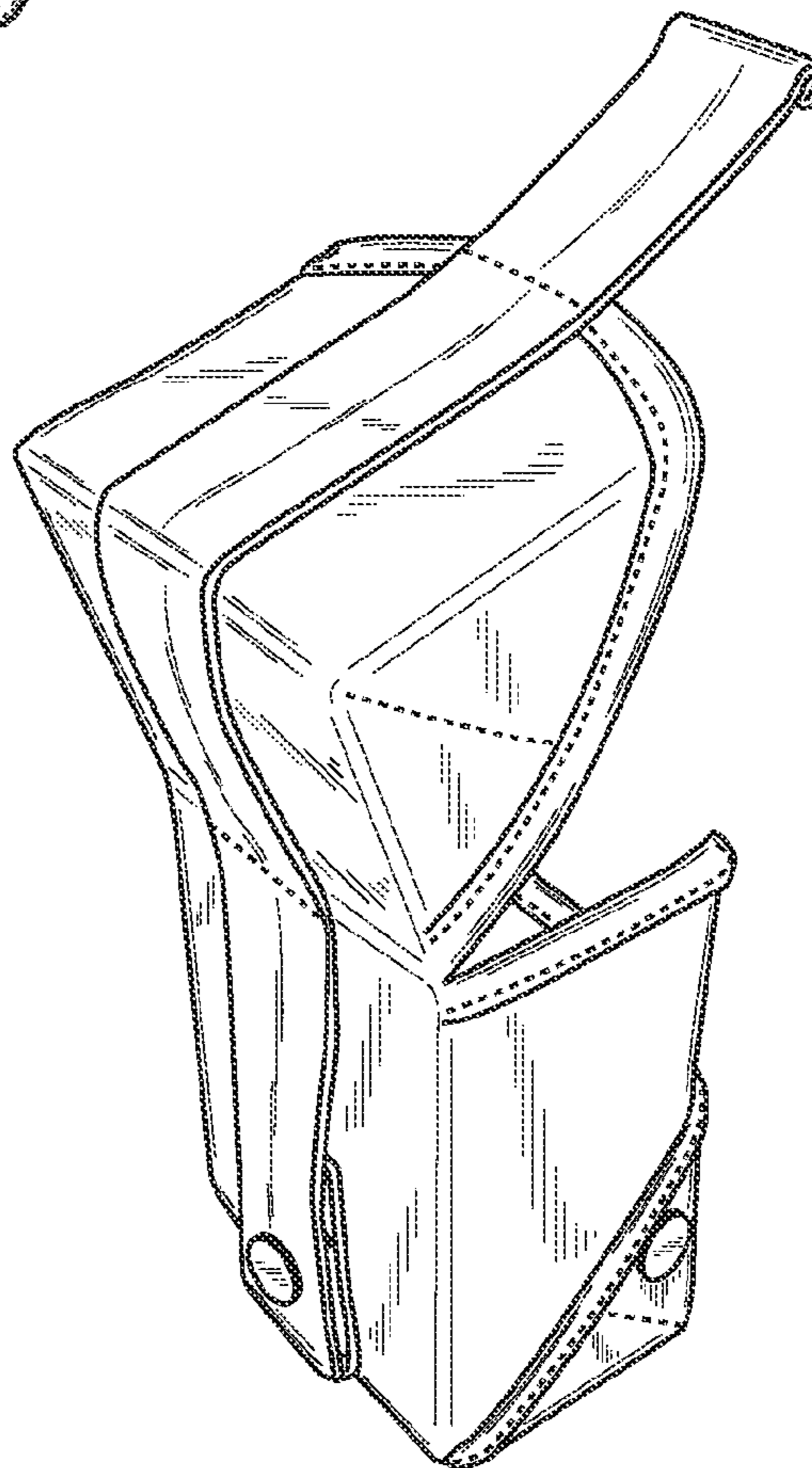


Fig. 5

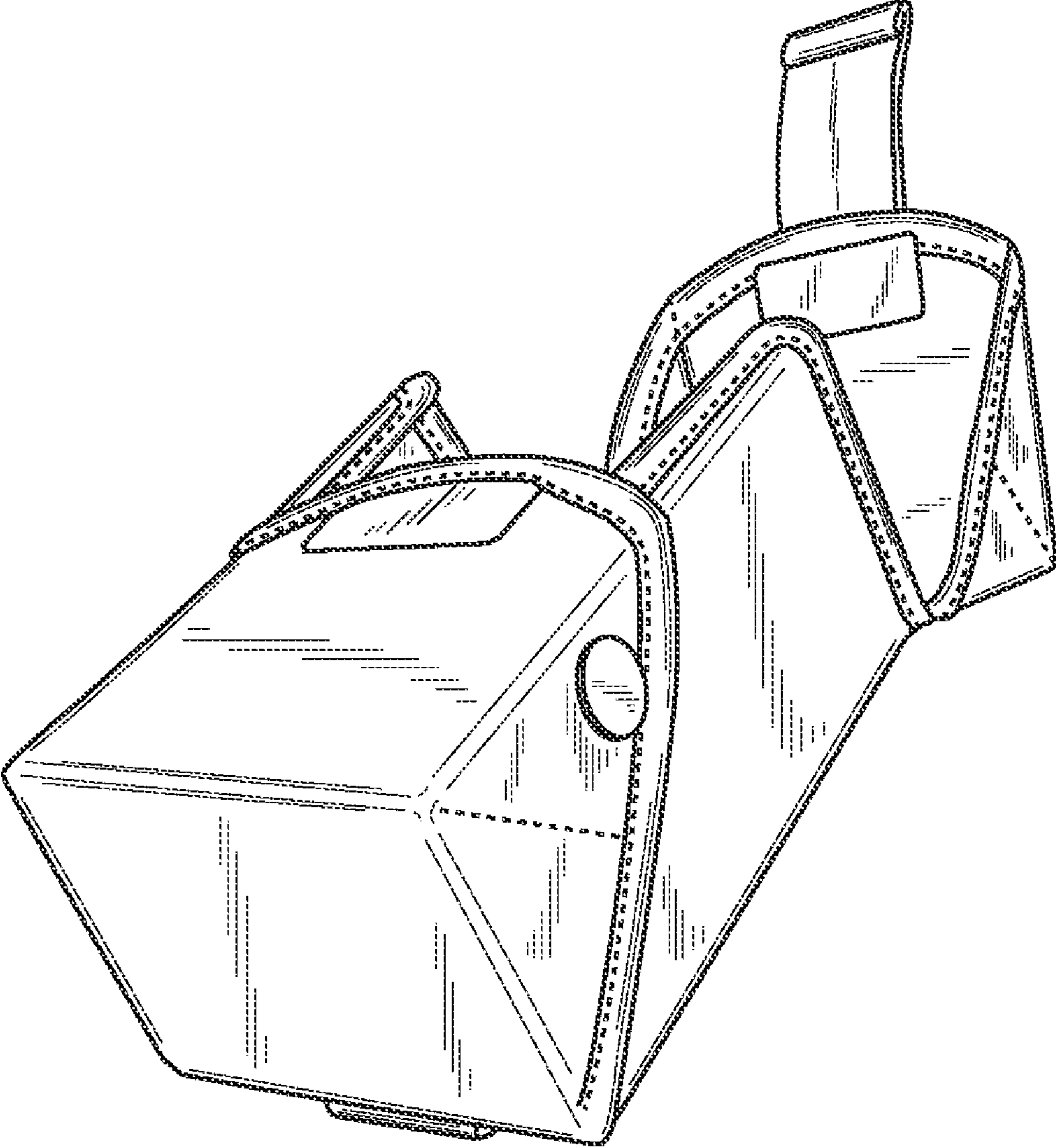


Fig. 6