



US00D575936S

(12) **United States Design Patent**
Fenderson et al.

(10) **Patent No.:** **US D575,936 S**

(45) **Date of Patent:** **** Sep. 2, 2008**

(54) **TRAVEL SMOCK**

(76) Inventors: **Lillie Jackson Fenderson**, 2158 Palm
Crest Dr., Apopka, FL (US) 32712-2441;
Jewel D. McCoy, P.O. Box 234,
Coosada, AL (US) 36020

(**) Term: **14 Years**

(21) Appl. No.: **29/253,698**

(22) Filed: **Feb. 10, 2006**

(51) **LOC (8) Cl.** **02-02**

(52) **U.S. Cl.** **D2/864**

(58) **Field of Classification Search** D2/717,
D2/760, 840, 844, 857, 858, 841, 847, 849,
D2/853, 860-864; 2/275, 267, 227, 236,
2/237, 115, 119, 106, 77, 90, 102, 103, 112,
2/463, 464, 48-52, 66, 91, 208, 69, 69.5;
D29/120.1

See application file for complete search history.

(56) **References Cited**

U.S. PATENT DOCUMENTS

1,413,569	A *	4/1922	Bloch	2/51
1,690,138	A *	11/1928	Sladek	2/51
3,984,876	A *	10/1976	Sutton	2/48
4,783,854	A *	11/1988	Bjorklund	2/51
4,829,602	A *	5/1989	Harreld et al.	2/51

D305,579	S *	1/1990	Cato	D29/120.1
4,951,318	A *	8/1990	Harreld et al.	2/48
D318,166	S *	7/1991	Augino	D2/728
5,226,193	A *	7/1993	Chen	2/69.5
D356,204	S *	3/1995	Derrickson	D2/720
5,918,312	A *	7/1999	Craren	2/69
6,247,178	B1 *	6/2001	Bilda	2/69
6,851,125	B2 *	2/2005	Fujikawa et al.	2/51

* cited by examiner

Primary Examiner—Charles A. Rademaker

Assistant Examiner—Charles D Hanson

(74) *Attorney, Agent, or Firm*—McKinney Law, LLC

(57) **CLAIM**

We claim the ornamental design for a travel smock, as shown and described.

DESCRIPTION

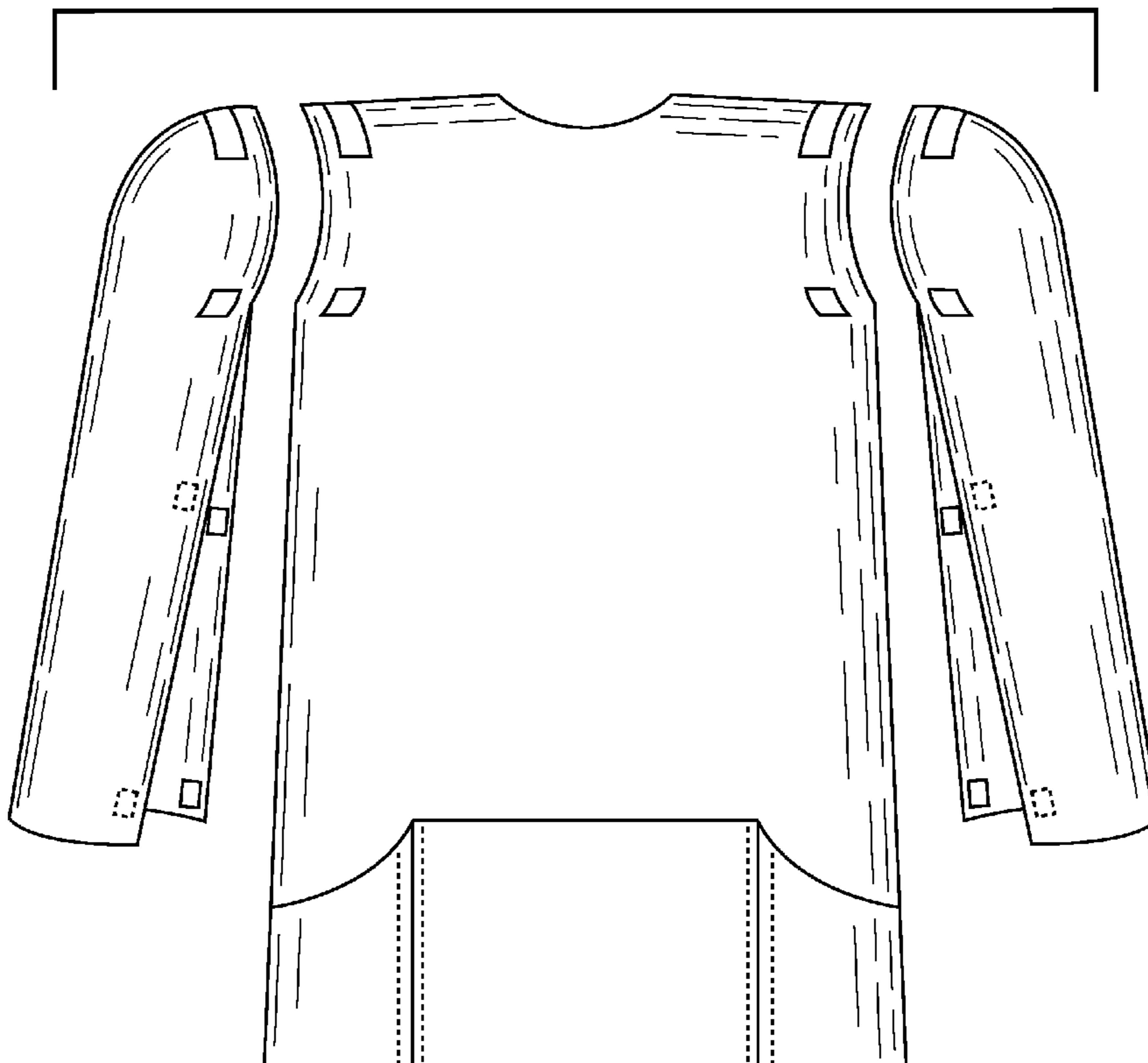
FIG. 1 is a front elevational view of a travel smock showing our new design;

FIG. 2 is rear elevational view thereof; and,

FIG. 3 is a front elevational view of an alternative embodiment of the design of FIG. 1.

The broken lines of FIG. 1, FIG. 2 and FIG. 3, are stitching of the travel smock.

1 Claim, 3 Drawing Sheets



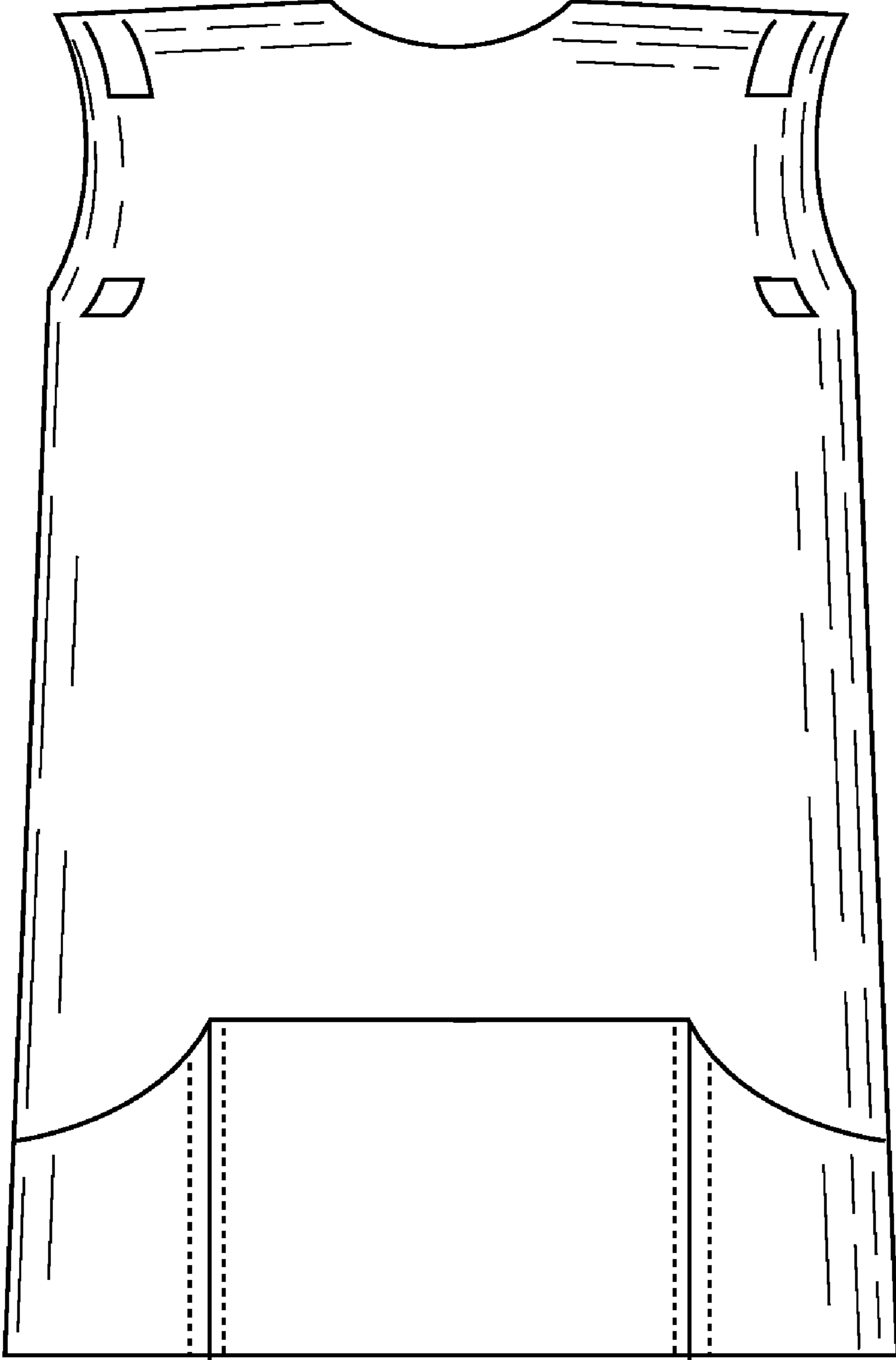


Fig. 1

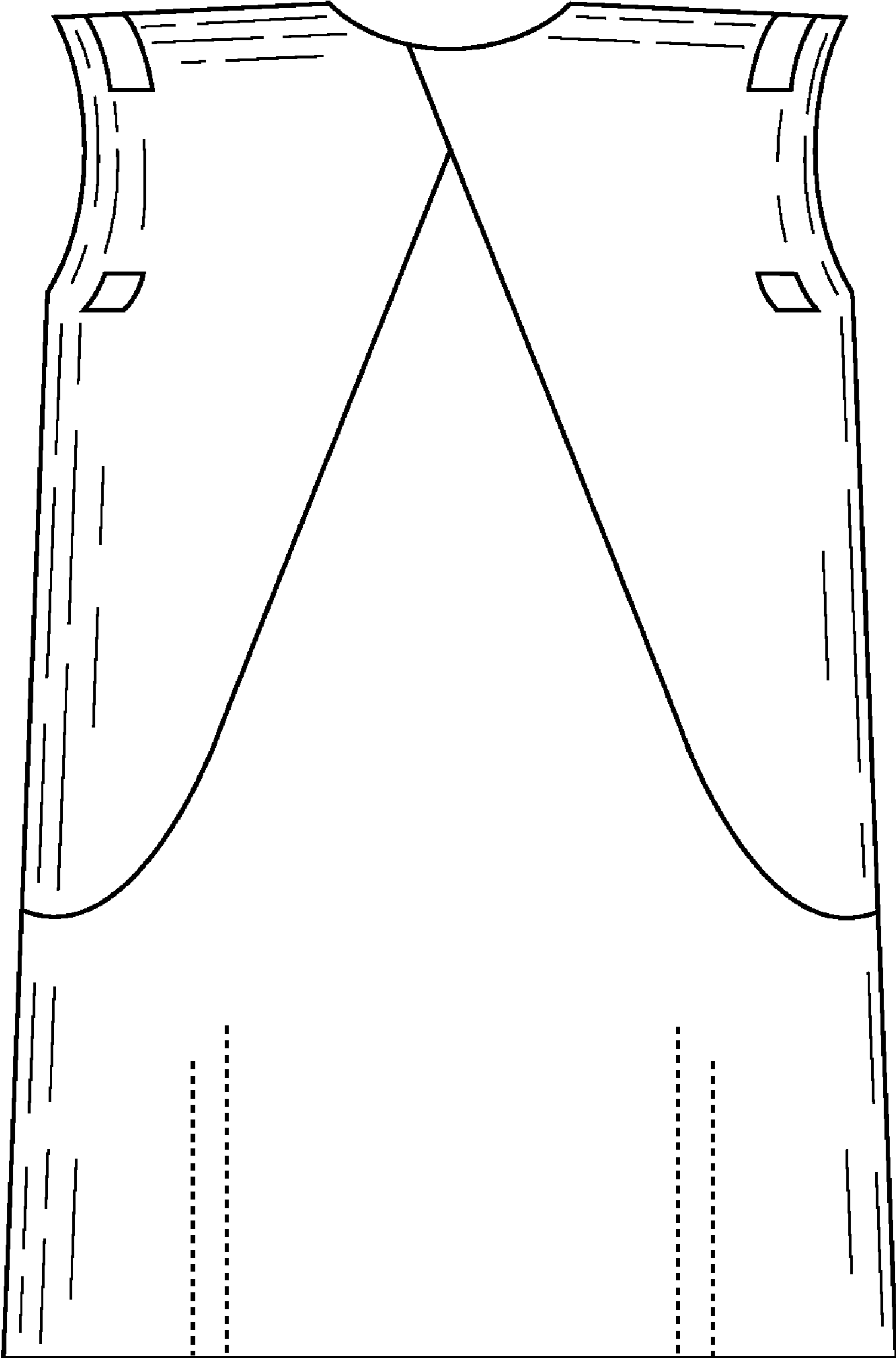


Fig. 2

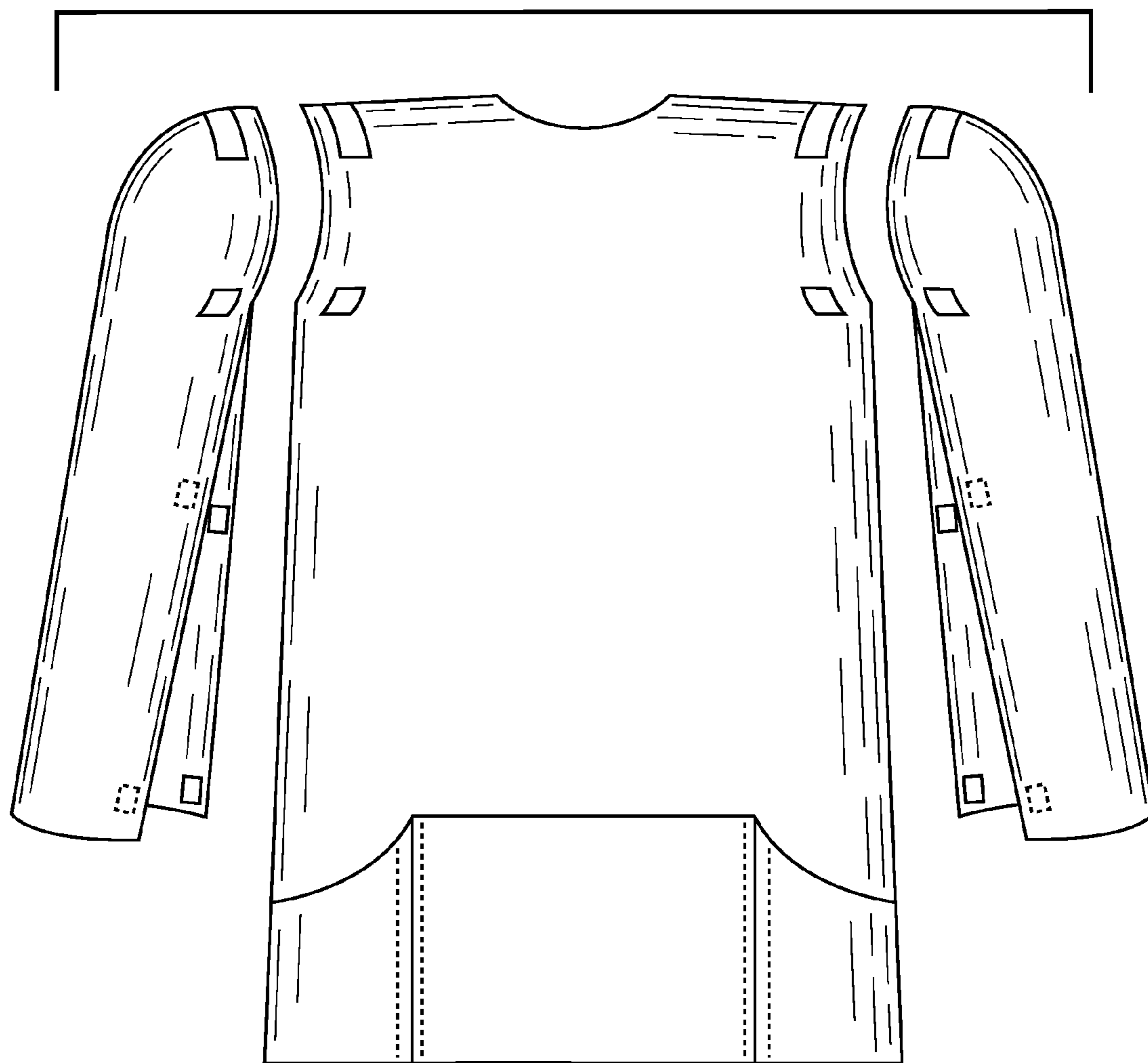


Fig. 3