



US00D575931S

(12) **United States Design Patent**  
**Broudy**

(10) **Patent No.:** **US D575,931 S**

(45) **Date of Patent:** **\*\* Sep. 2, 2008**

(54) **POCKET VEST**

(76) **Inventor:** **Sanderson Broudy**, 570 Pala Ave., San Leandro, CA (US) 94577

(\*\*) **Term:** **14 Years**

(21) **Appl. No.:** **29/291,659**

(22) **Filed:** **Sep. 7, 2007**

(51) **LOC (8) Cl.** ..... **02-02**

(52) **U.S. Cl.** ..... **D2/839**

(58) **Field of Classification Search** ..... D2/700,  
D2/717, 828, 829, 830, 833, 836, 839, 743,  
D2/750, 840, 844; 2/462, 95, 102, 108  
See application file for complete search history.

(56) **References Cited**

**U.S. PATENT DOCUMENTS**

2,448,449	A *	8/1948	Masland	.....	2/94
2,579,383	A *	12/1951	Goudsmit	.....	219/211
2,717,391	A *	9/1955	Bracken	.....	2/94
3,381,307	A *	5/1968	Shingler	.....	2/94
4,149,272	A *	4/1979	Maeshima	.....	2/102
D269,561	S *	7/1983	Scott	.....	D2/829
D292,140	S *	10/1987	Cahill et al.	.....	D2/829
5,031,244	A *	7/1991	Inagaki	.....	2/102

D392,439	S *	3/1998	Okoniewski	.....	D2/829
D506,594	S *	6/2005	Corris	.....	D2/829

\* cited by examiner

*Primary Examiner*—Ian Simmons

*Assistant Examiner*—R. Johnson

(74) *Attorney, Agent, or Firm*—Francis Law Group

(57) **CLAIM**

I claim the ornamental design for a pocket vest, as shown and described.

**DESCRIPTION**

FIG. 1 is a rear perspective view of a pocket vest showing my new design;

FIG. 2 is a front elevational view thereof;

FIG. 3 is a rear elevational view thereof;

FIG. 4 is a right side elevational view thereof;

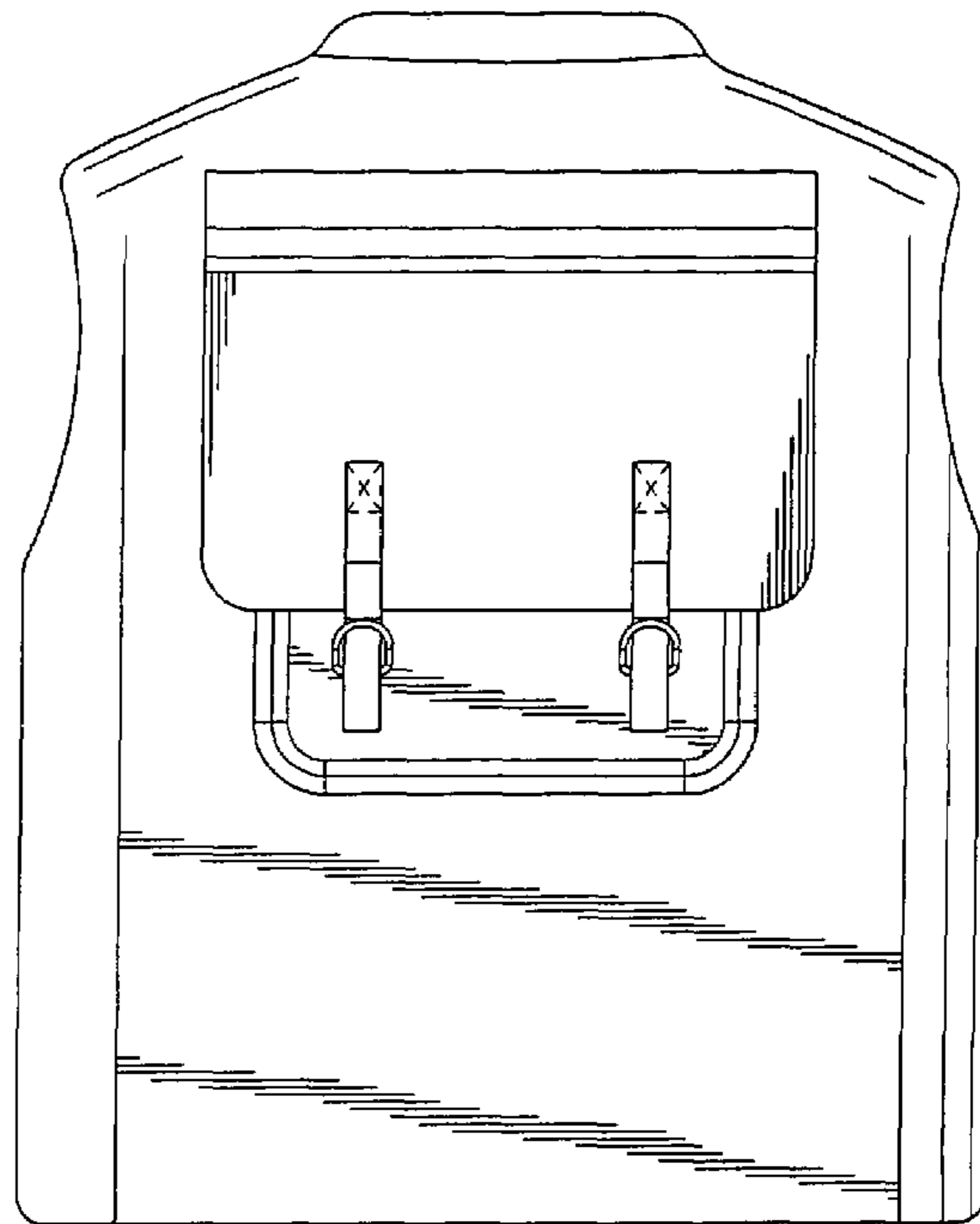
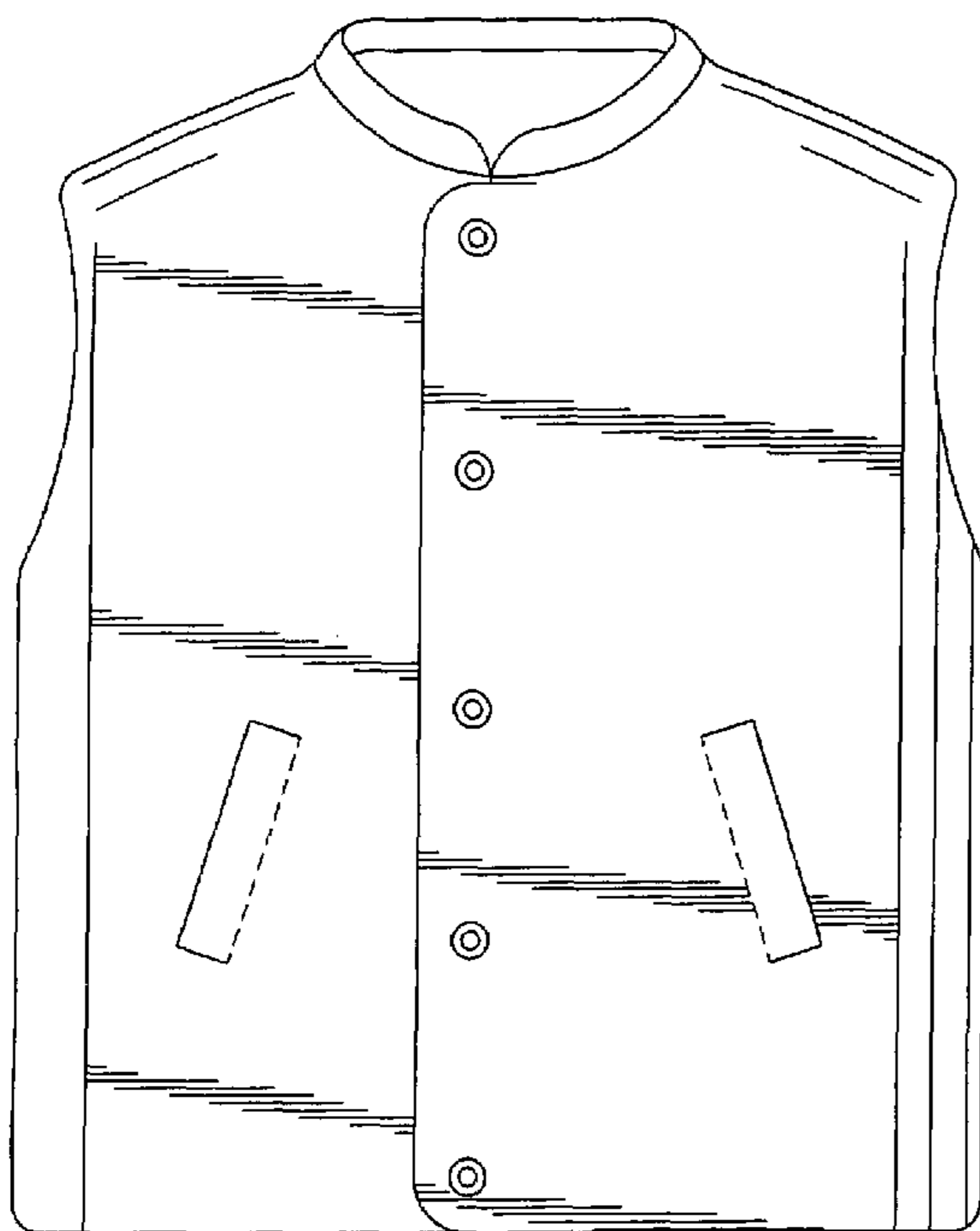
FIG. 5 is a left side elevational view thereof;

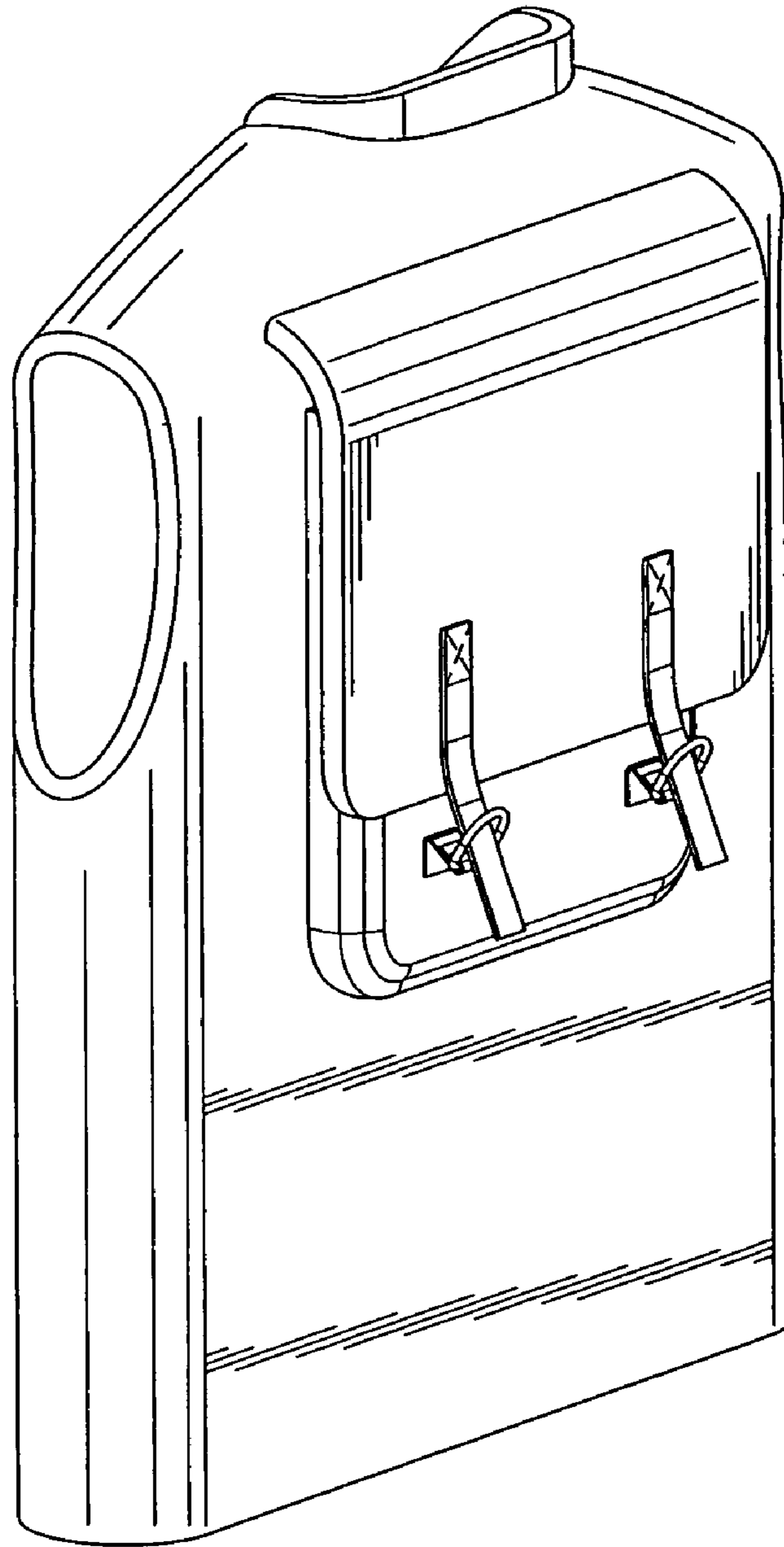
FIG. 6 is a top plan view thereof; and,

FIG. 7 is a bottom plan view thereof.

The broken lines shown in FIGS. 1–3 represent stitching.

**1 Claim, 3 Drawing Sheets**





*FIG. 1*

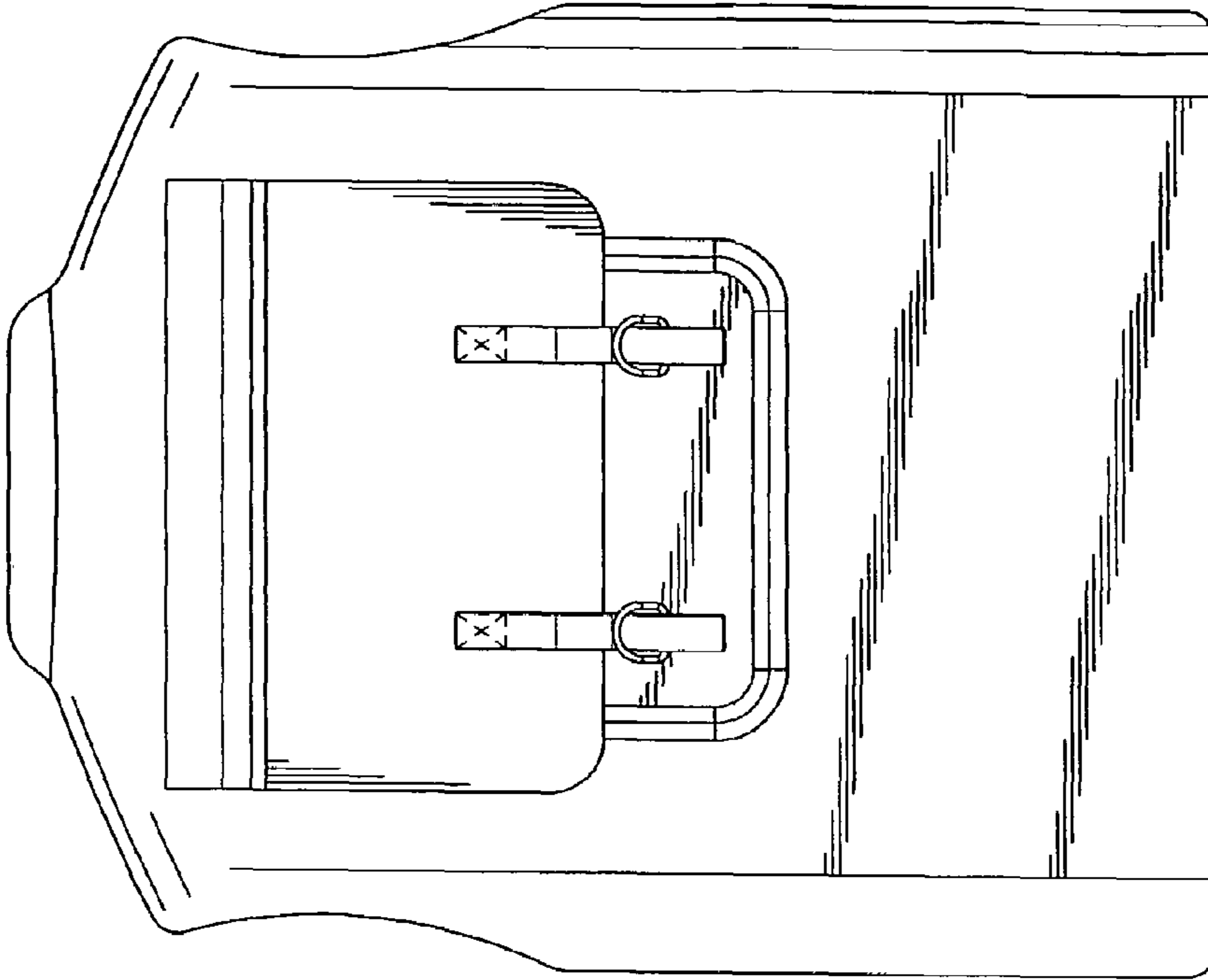


FIG. 3

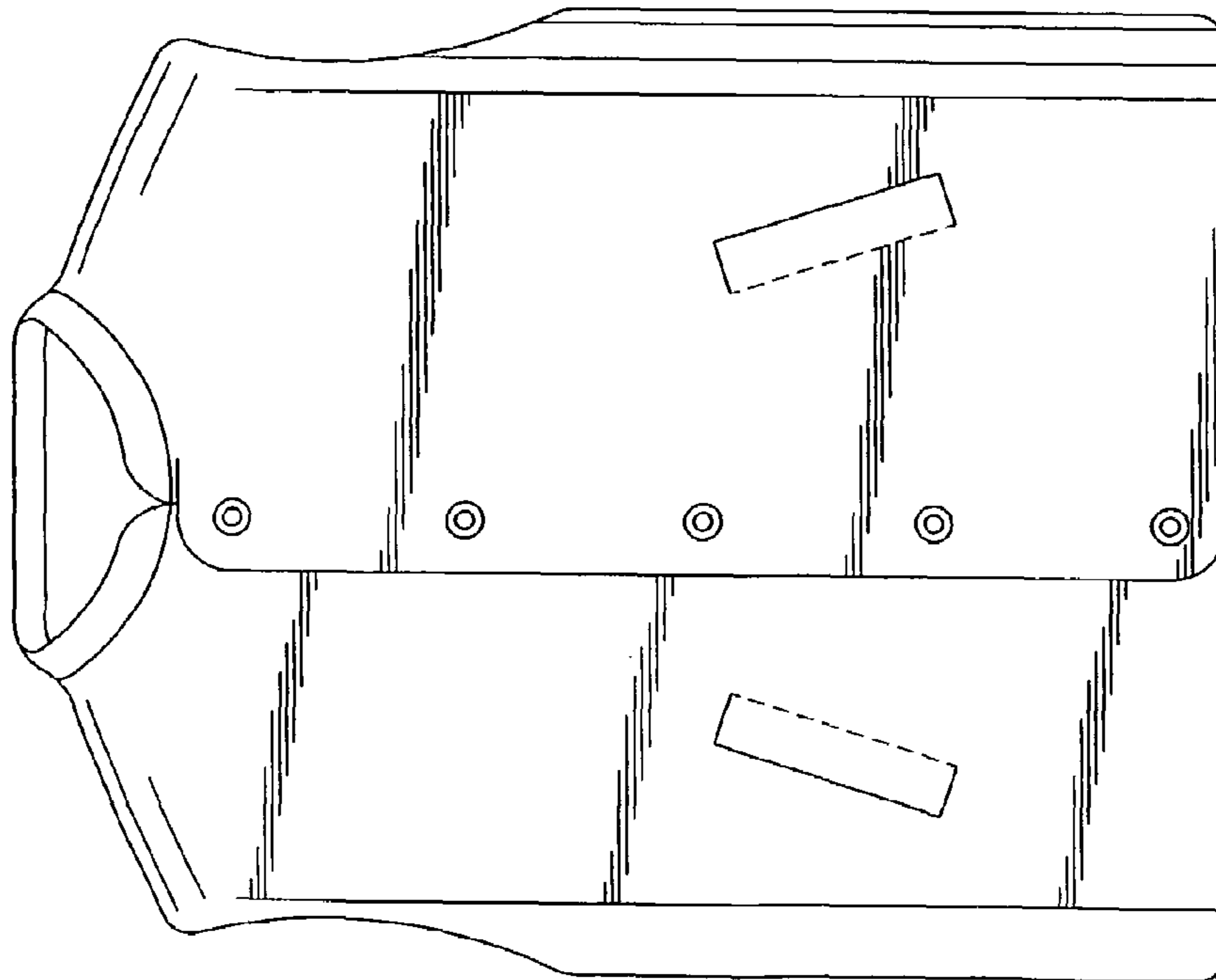
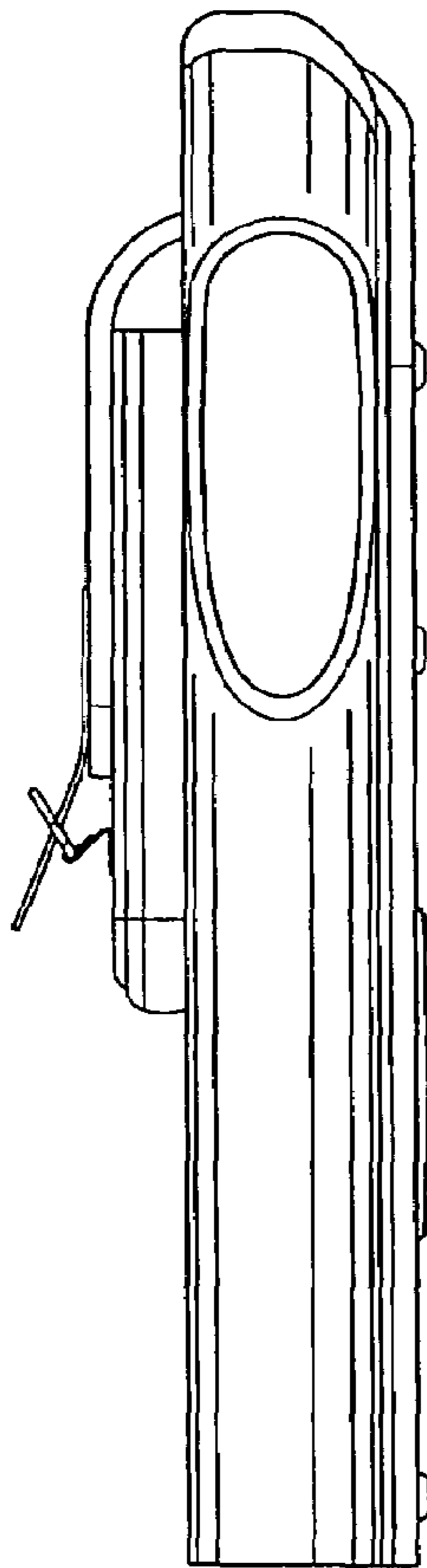
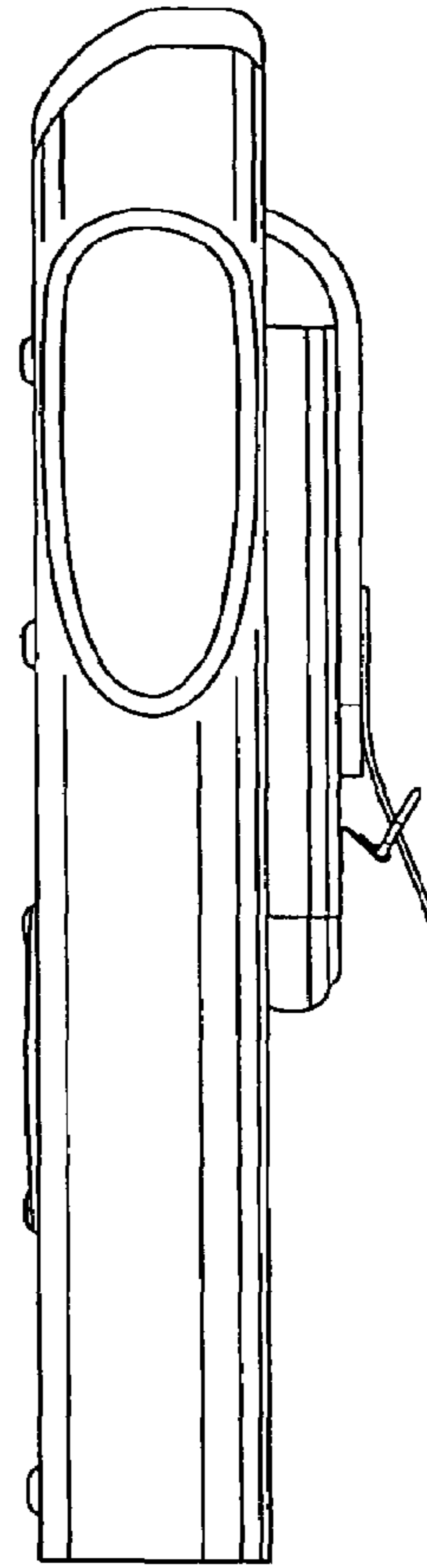


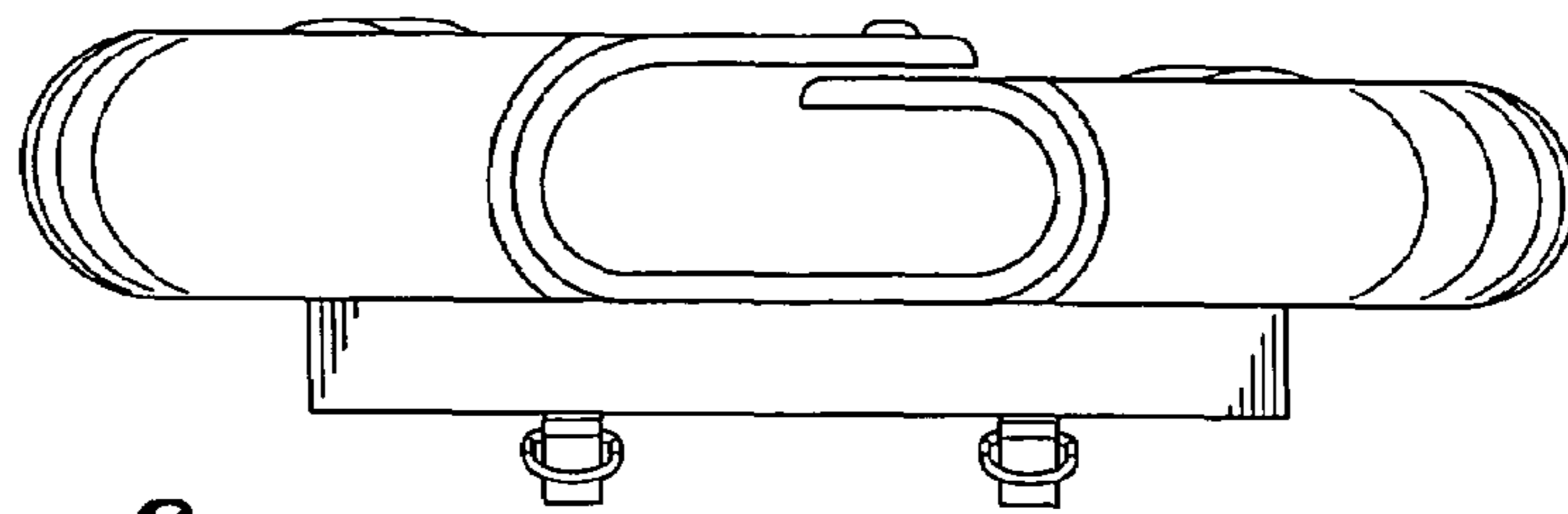
FIG. 2



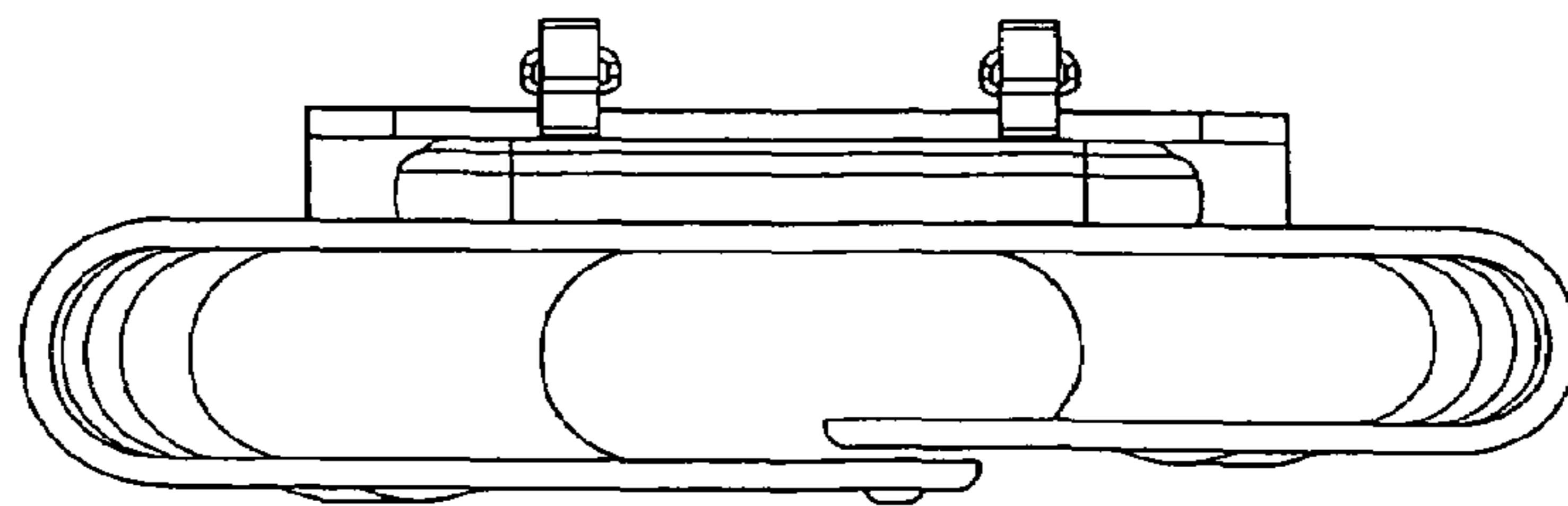
**FIG. 4**



**FIG. 5**



**FIG. 6**



**FIG. 7**