



US00D575929S

(12) **United States Design Patent**
Dacumos

(10) **Patent No.:** **US D575,929 S**
(45) **Date of Patent:** **** Sep. 2, 2008**

(54) **THONG UNDERWEAR WITH BUTTOCKS SUPPORT**

D528,739 S * 9/2006 Williamson D2/712
D548,927 S * 8/2007 Perryman D2/712
7,257,847 B2 * 8/2007 Hart 2/406

(76) Inventor: **Simeon Dacumos**, 70 Clarendon Ave.,
San Francisco, CA (US) 94114

* cited by examiner

(**) Term: **14 Years**

Primary Examiner—Ian Simmons

Assistant Examiner—Anna J Burmeister

(21) Appl. No.: **29/280,502**

(74) *Attorney, Agent, or Firm*—Steven A. Nielsen; Allman & Nielsen, P.C.

(22) Filed: **May 30, 2007**

(57) **CLAIM**

(51) **LOC (8) Cl.** **07-01**

The ornamental design for a thong underwear with buttocks support, as shown and described.

(52) **U.S. Cl.** **D2/712**

(58) **Field of Classification Search** D2/712,
D2/624, 625; 2/400, 403, 404, 406, 407,
2/408; D29/100

DESCRIPTION

See application file for complete search history.

FIG. 1 is a front elevational view of a thong underwear with buttocks support, showing my new design;

FIG. 2 is a rear elevational view thereof;

FIG. 3 is side elevational view thereof; and,

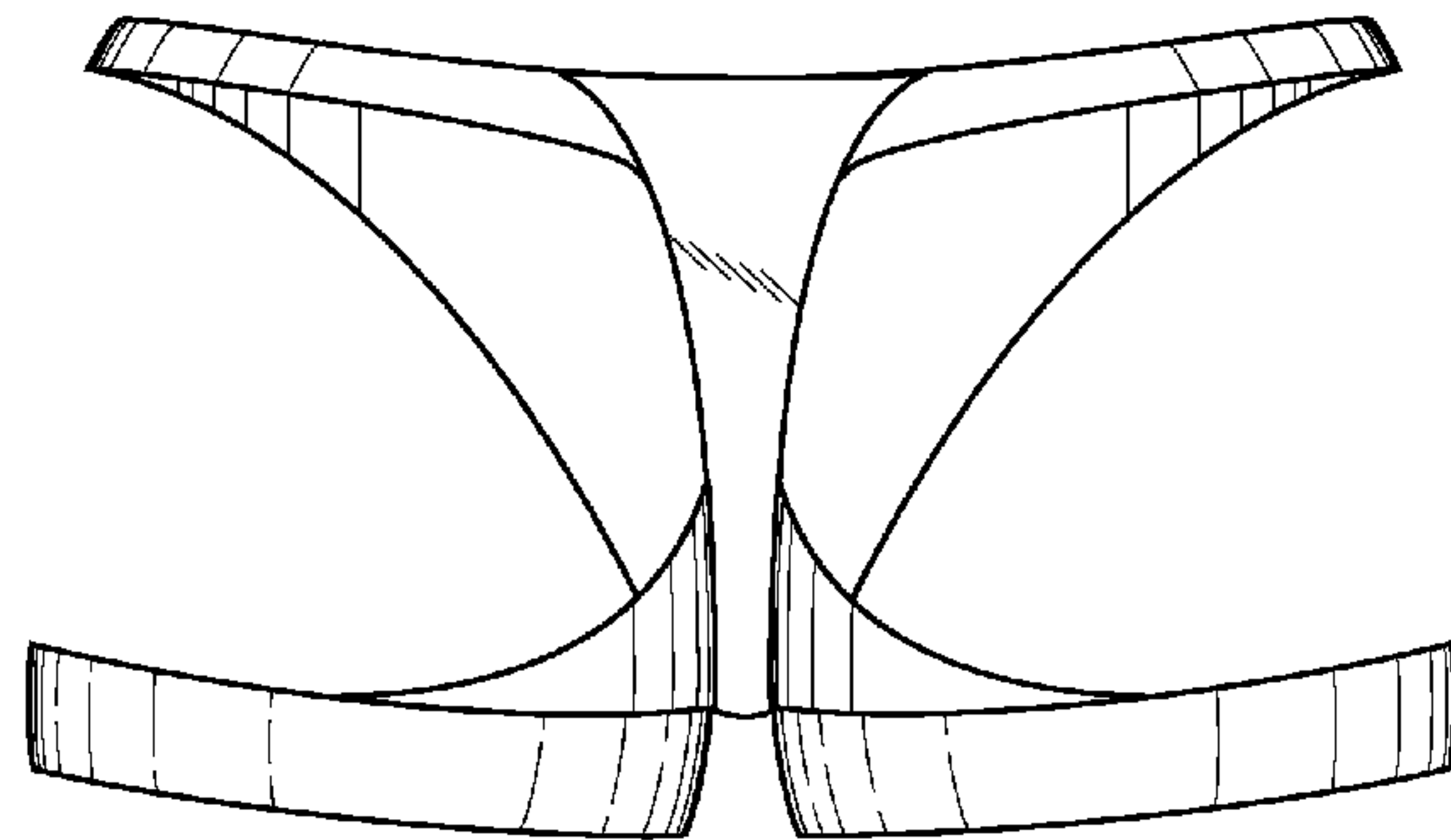
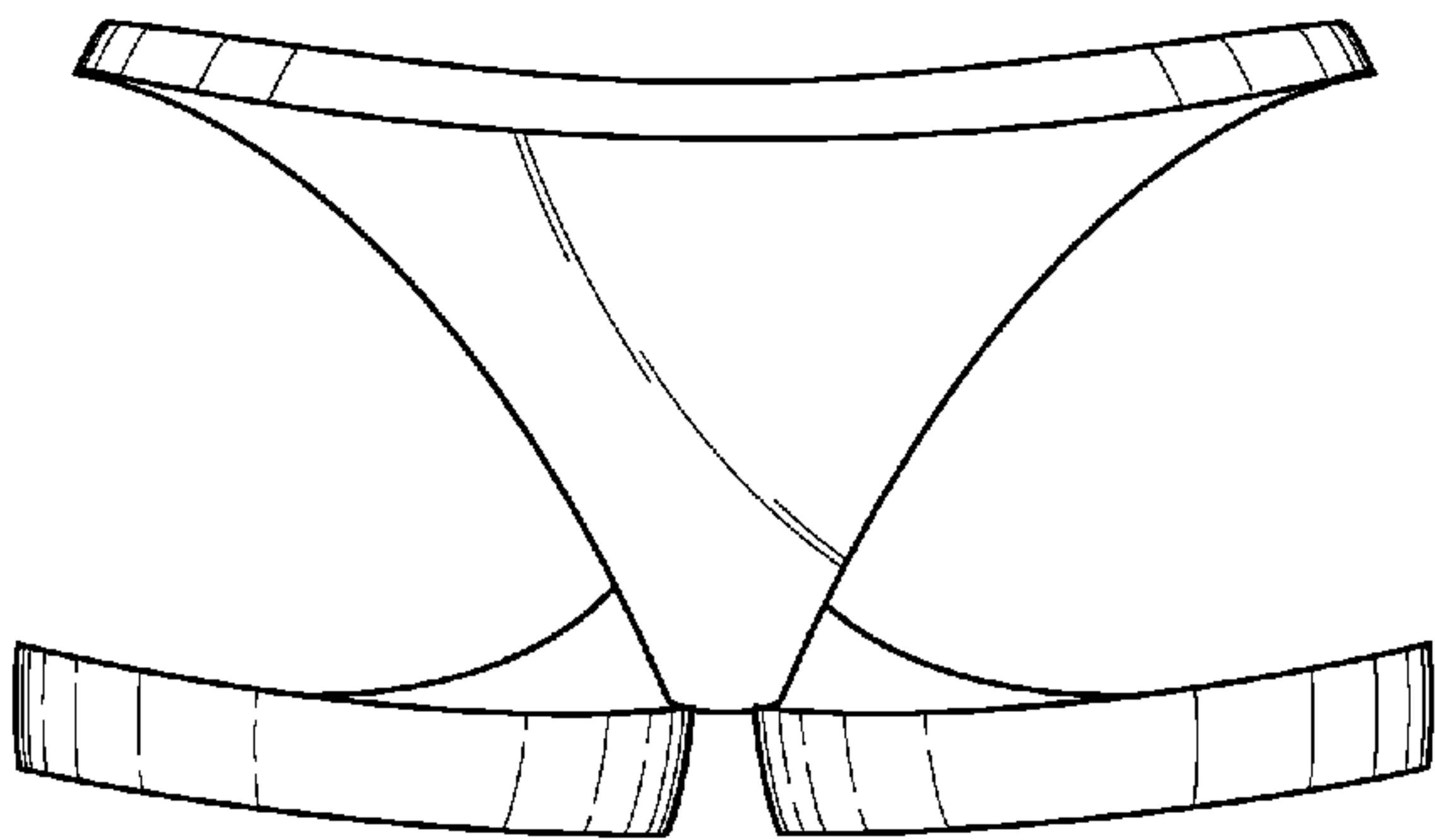
FIG. 4 is a inner side elevational view thereof.

(56) **References Cited**

U.S. PATENT DOCUMENTS

5,528,775 A * 6/1996 Marena 2/406
5,954,564 A * 9/1999 Ganz 450/99
D507,856 S * 8/2005 Yeramyam et al. D2/712

1 Claim, 2 Drawing Sheets



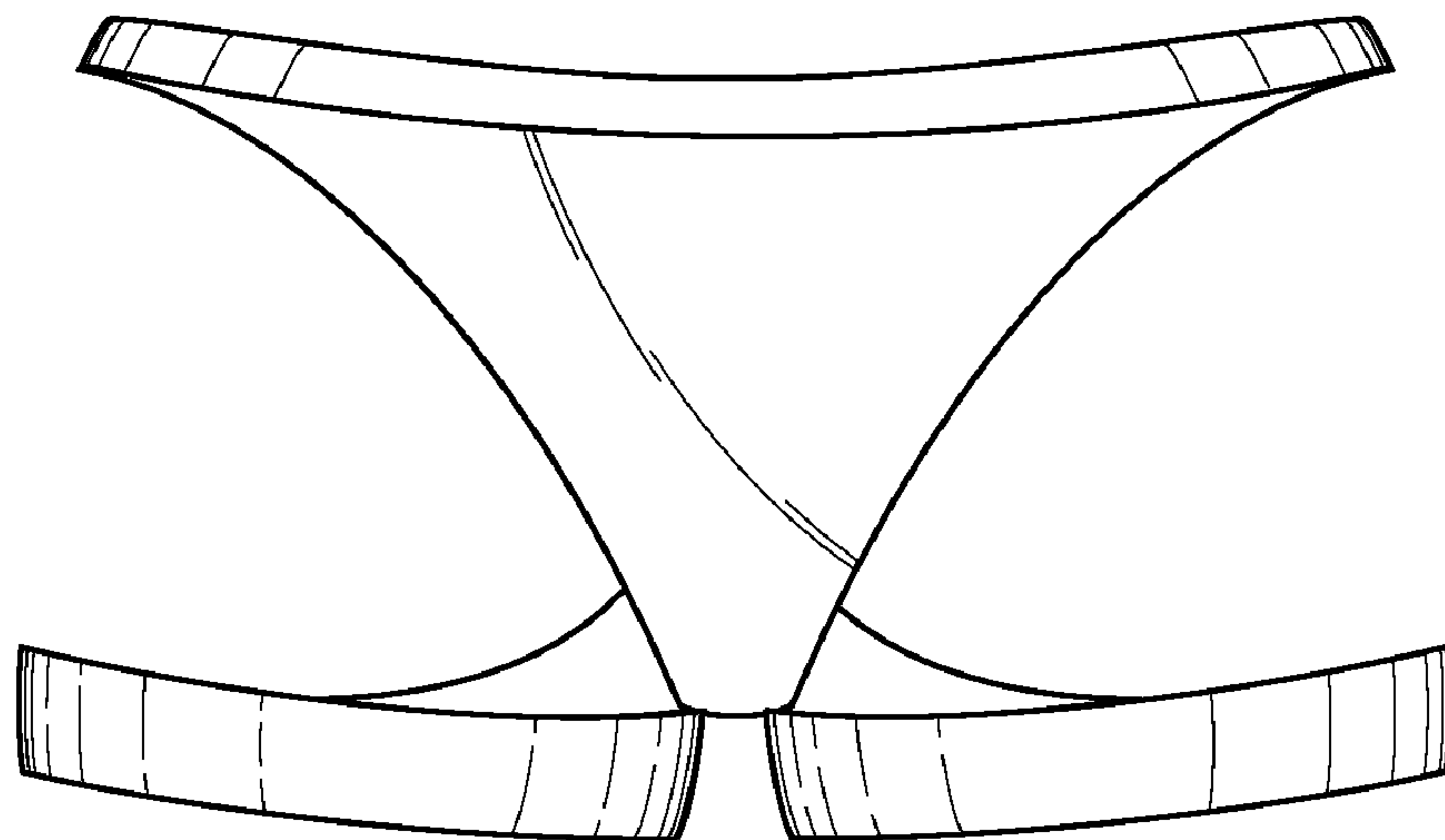


Fig. 1

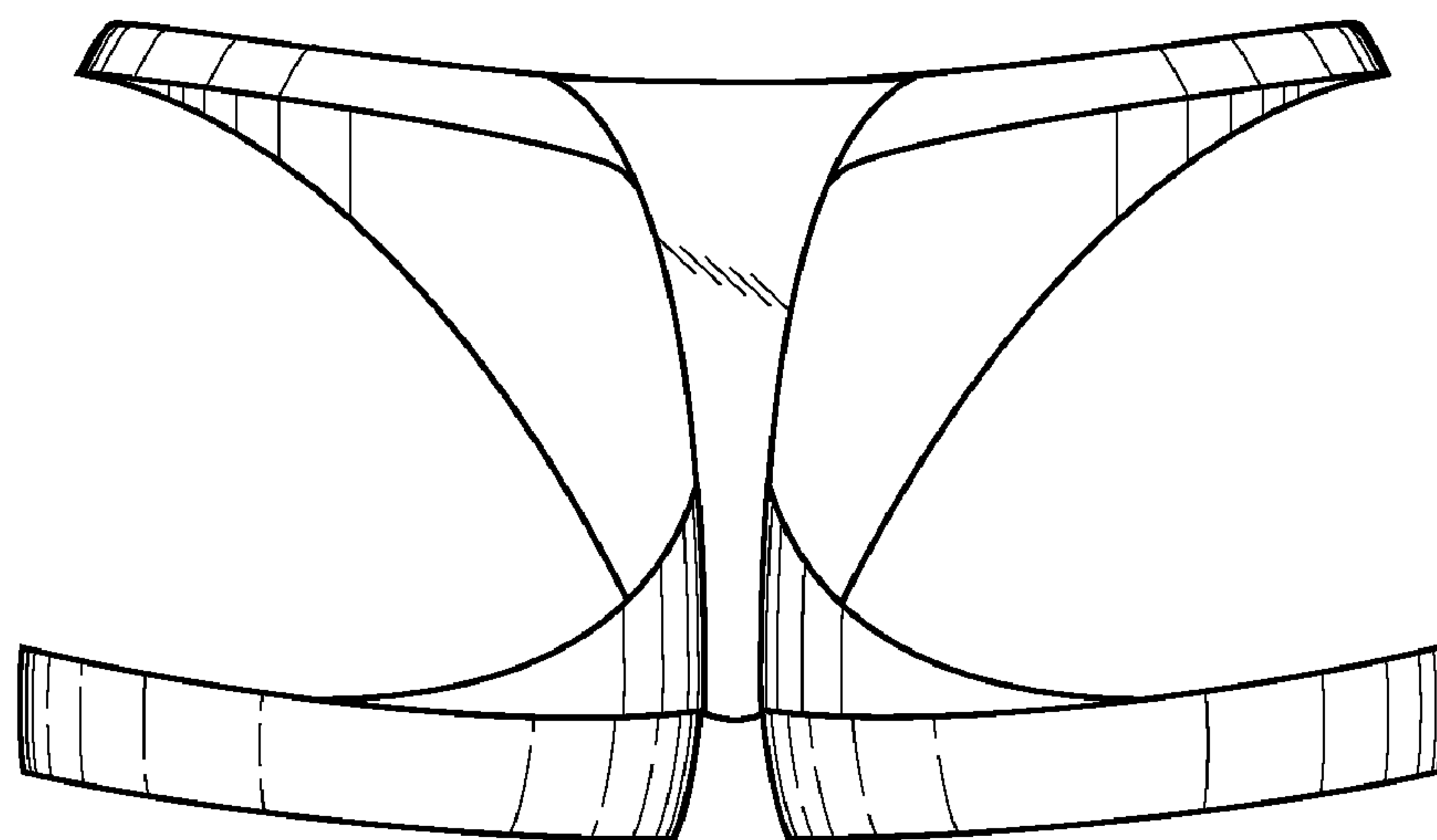


Fig. 2

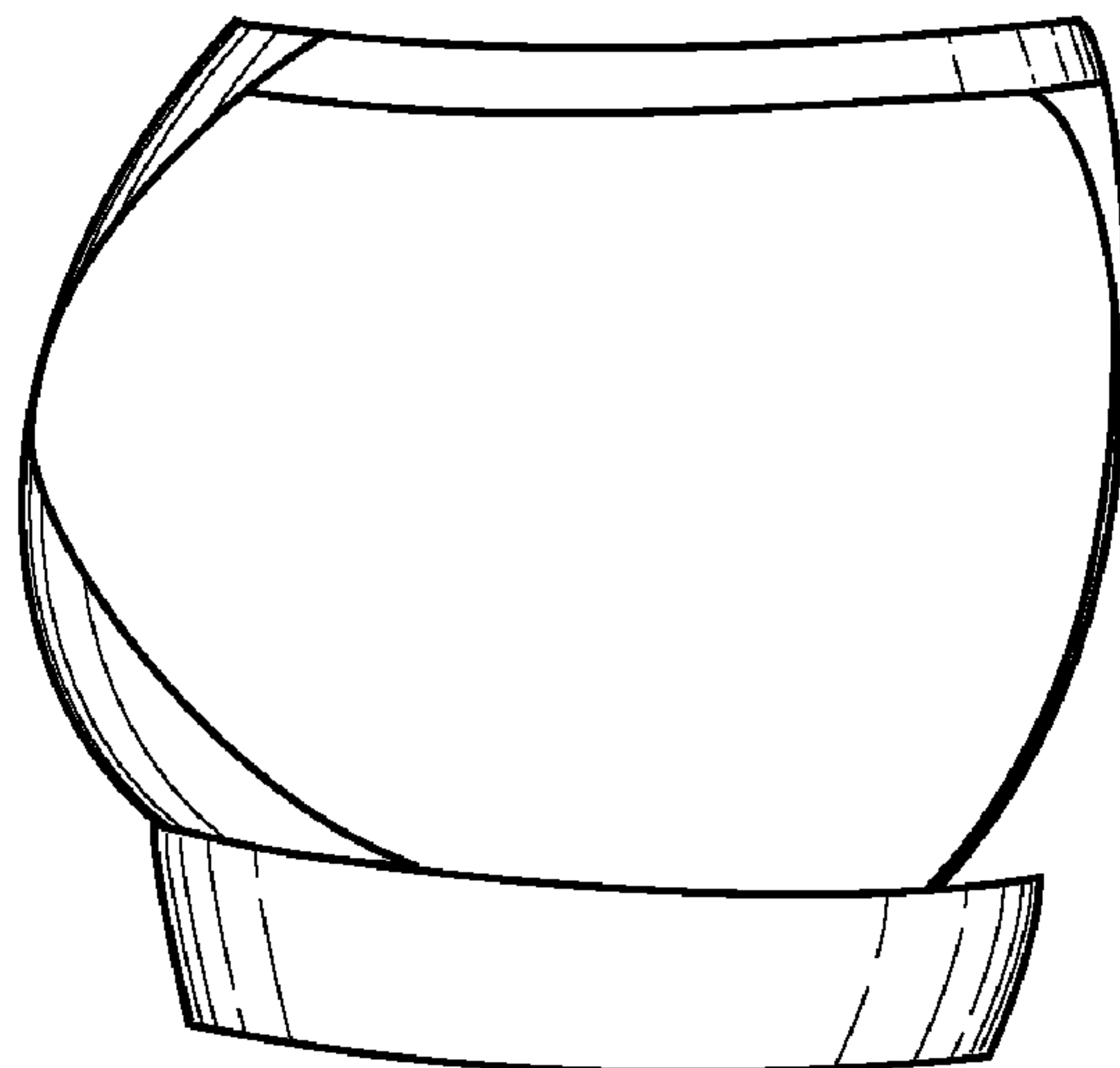


Fig. 3

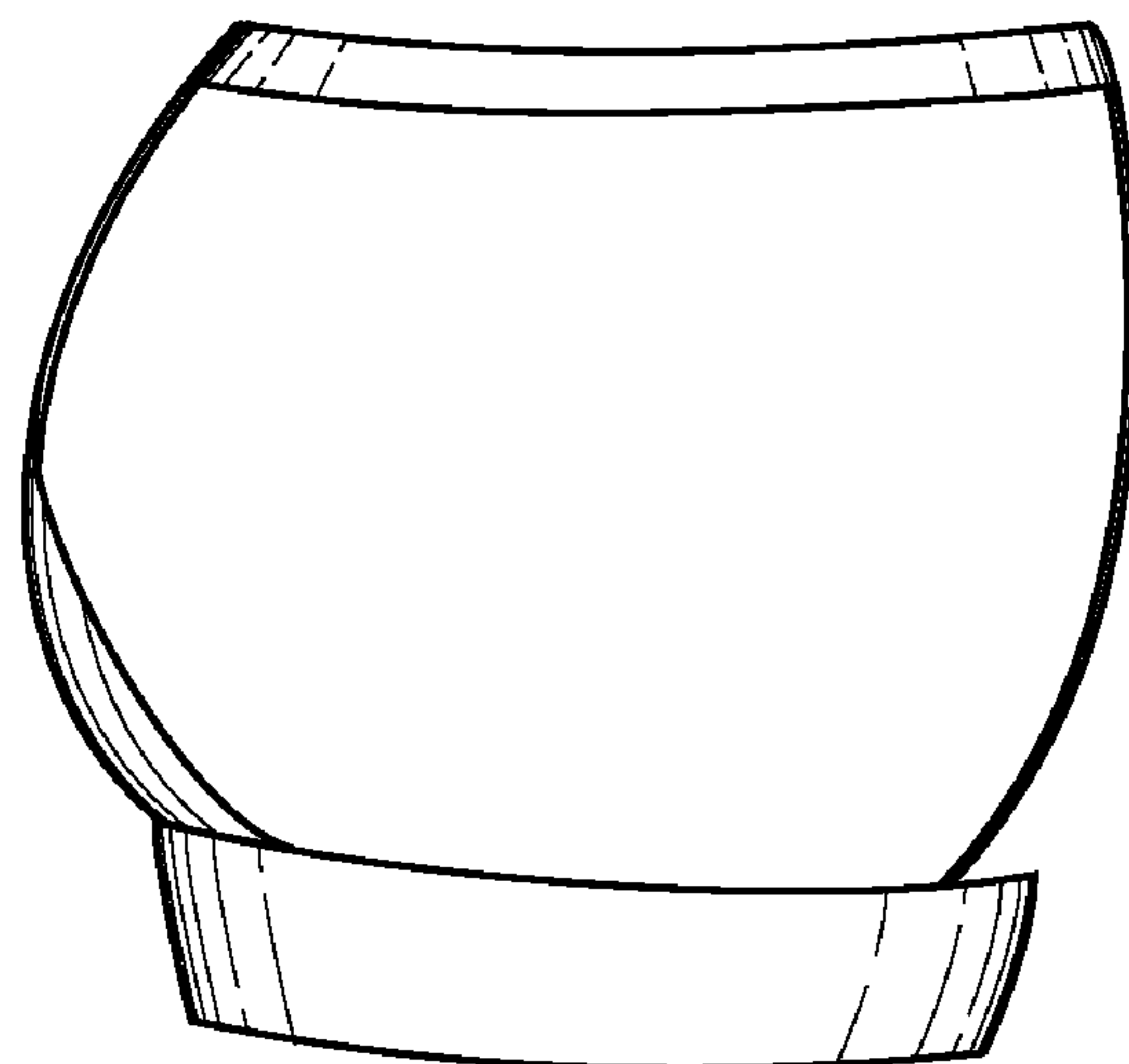


Fig. 4