



US00D575927S

(12) **United States Design Patent**  
**Valentin**

(10) **Patent No.:** **US D575,927 S**  
(45) **Date of Patent:** **\*\* Sep. 2, 2008**

(54) **MULTI-PIECE BRA**

2,728,079 A 12/1955 Williams

(75) Inventor: **Tara J. Valentin**, Albany, NY (US)

(Continued)

(73) Assignee: **Creative Bra Designs LLC**,  
Loudonville, NY (US)

**OTHER PUBLICATIONS**

(\*\*) Term: **14 Years**

Supporta Quest, Inc., "Simply Up", 1996.

(21) Appl. No.: **29/295,380**

*Primary Examiner*—Ian Simmons  
*Assistant Examiner*—Rashida Johnson

(22) Filed: **Sep. 27, 2007**

(74) *Attorney, Agent, or Firm*—Keohane & D'Alessandro  
PLLC

**Related U.S. Application Data**

(57) **CLAIM**

(62) Division of application No. 29/276,554, filed on Jan. 29, 2007, now Pat. No. Des. 555,329, which is a division of application No. 29/239,824, filed on Oct. 5, 2005, now Pat. No. Des. 539,506, which is a division of application No. 29/202,935, filed on Apr. 7, 2004, now Pat. No. Des. 525,012.

The ornamental design for a multi-piece bra, as shown and described.

(51) **LOC (8) Cl.** ..... **02-01**

(52) **U.S. Cl.** ..... **D2/706**

(58) **Field of Classification Search** ..... D2/701,  
D2/705, 706; 2/267, 268; 128/112.1, 890,  
128/892; 450/1, 53–57, 81, 151  
See application file for complete search history.

**DESCRIPTION**

FIG. 1 is a partial front elevational view of a multi-piece bra with an oval cup and a squared under support, showing my new design;

FIG. 2 is a top plan view thereof;

FIG. 3 is a side elevational view thereof;

FIG. 4 is a full front elevational thereof;

FIG. 5 is a perspective view thereof, showing the multi-piece bra in use; the broken lines showing portions of the human figure form no part of the claimed design;

FIG. 6 is a partial front elevational view of a multi-piece bra with an oval cup as connected to a squared under support, showing another embodiment of my new design;

FIG. 7 is a top plan view thereof;

FIG. 8 is a side elevational view thereof;

FIG. 9 is a full front elevational thereof; and,

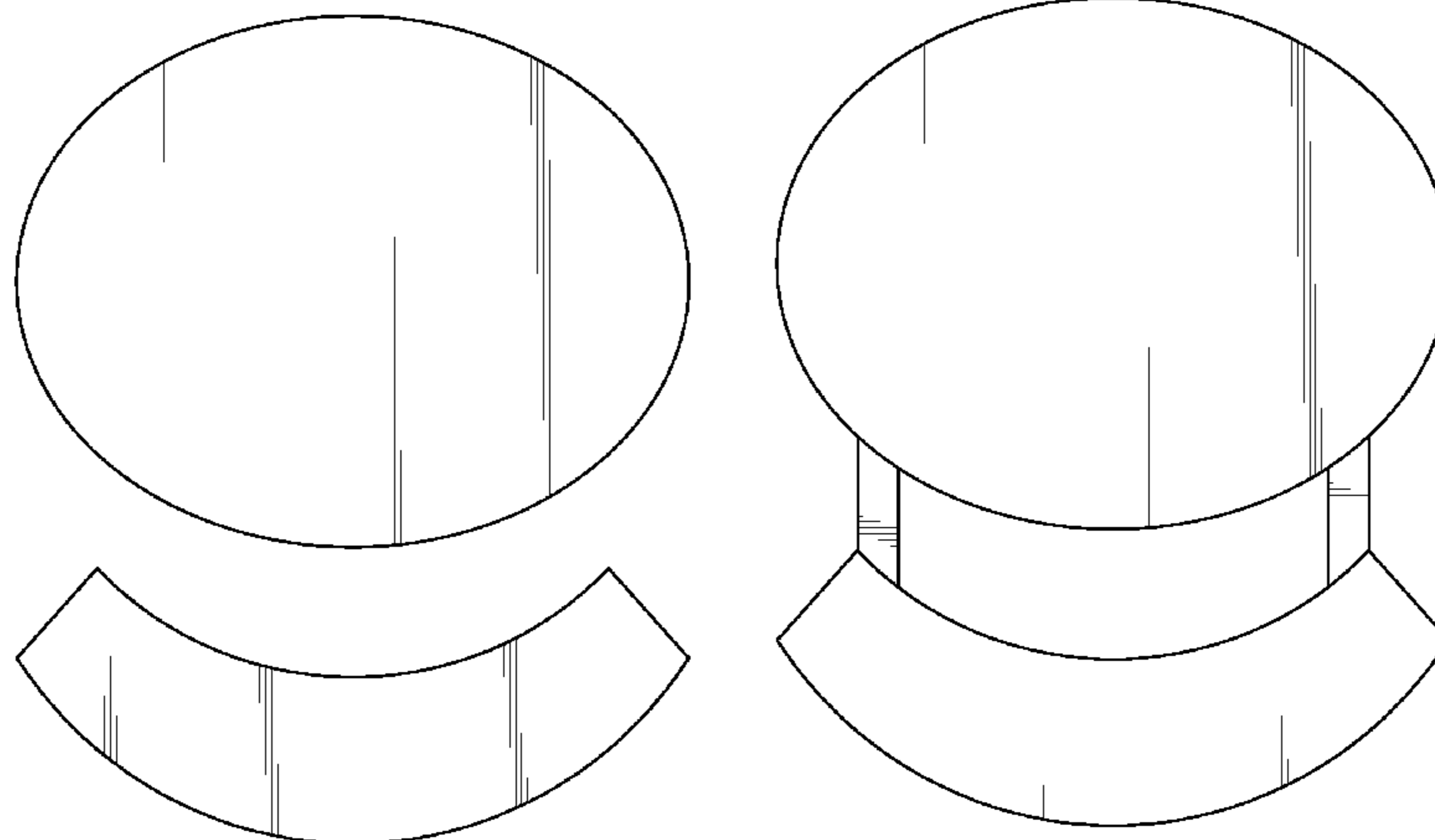
FIG. 10 is a perspective view thereof, showing the multi-piece bra in use; the broken lines showing portions of the human figure form no part of the claimed design.

(56) **References Cited**

**U.S. PATENT DOCUMENTS**

212,184 A	2/1879	Bryson
419,279 A	1/1890	Myers
561,427 A	6/1896	McKay
885,530 A	4/1908	Sachsenroder
2,267,365 A	12/1941	Blum
2,435,860 A	2/1948	Wilkenfeld et al.
2,578,954 A	12/1951	Van Leuven, Jr.
2,579,365 A	12/1951	Conde
2,630,119 A	3/1953	Aagesen
2,664,571 A	1/1954	Kempel
2,701,879 A	2/1955	Bennett

**1 Claim, 6 Drawing Sheets**

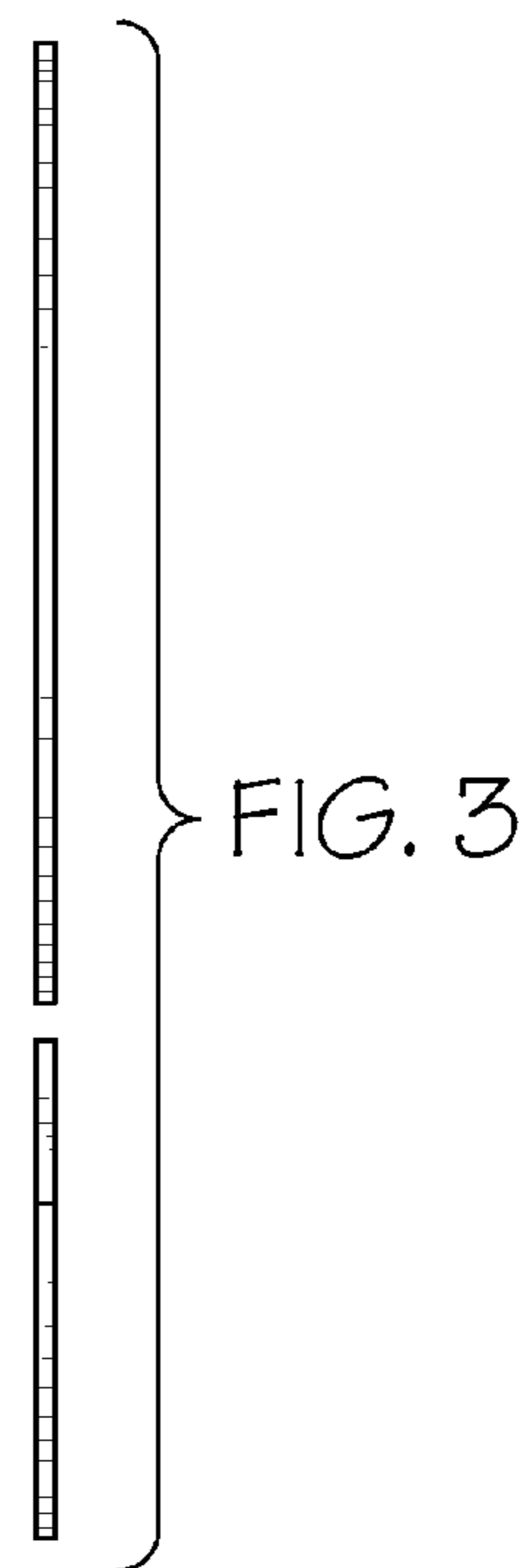
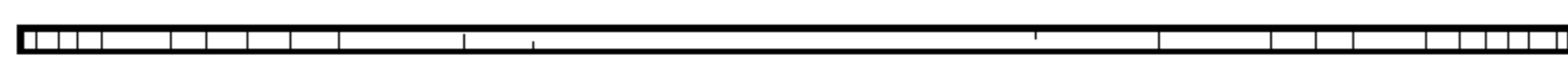
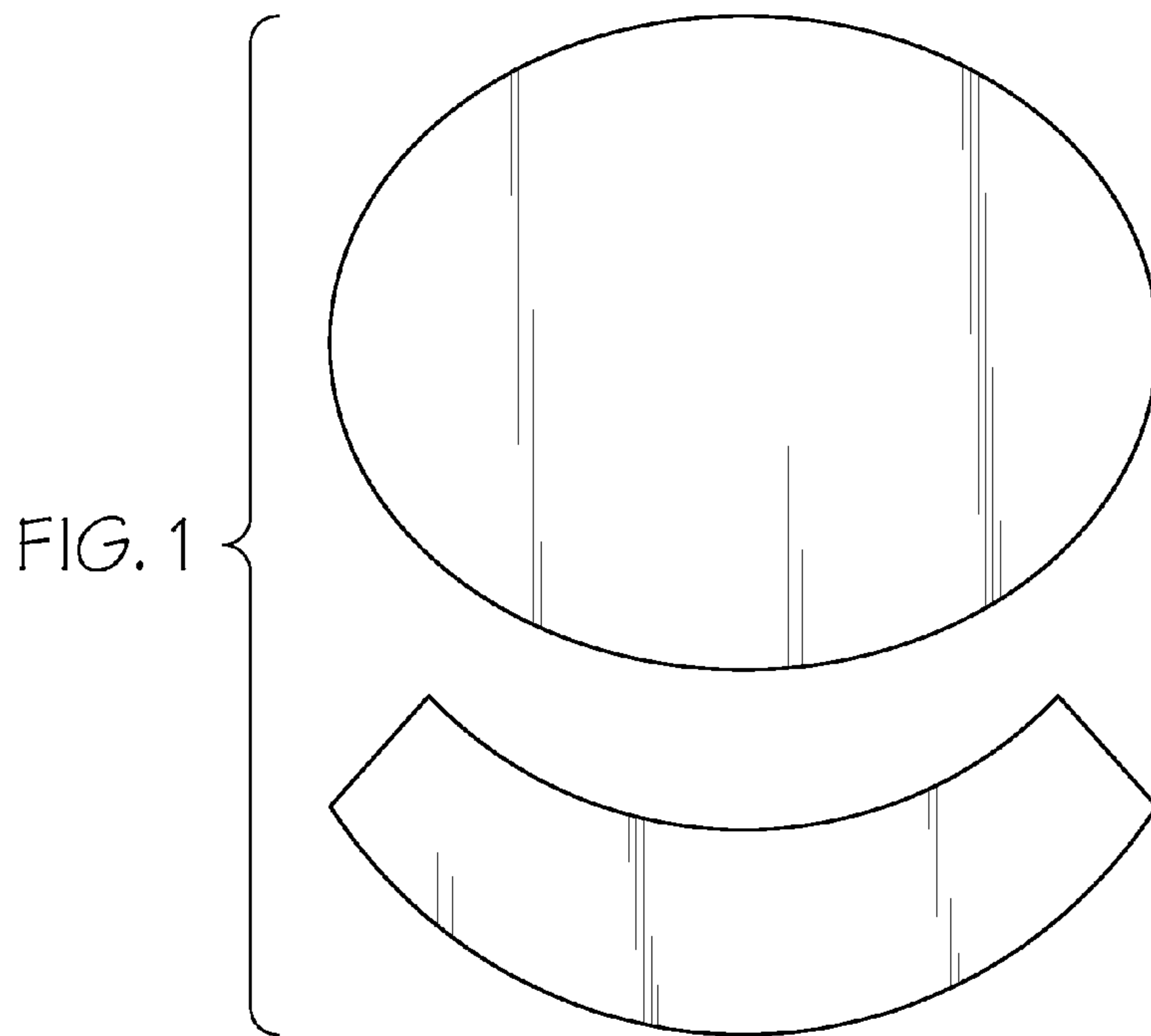


# US D575,927 S

Page 2

---

U.S. PATENT DOCUMENTS						
			6,283,820	B1	9/2001	Huang
			6,299,505	B1	10/2001	Huang
			6,306,006	B1	10/2001	Cheng
			6,338,665	B1	1/2002	Dawson et al.
			6,341,377	B1	1/2002	Faries, Jr. et al.
			6,371,831	B1	4/2002	Dodge
			6,383,055	B2	5/2002	Valentin
			6,390,884	B1	5/2002	Dragojevic
			6,397,391	B2	6/2002	DeMarco
			6,443,805	B1	9/2002	Kirkwood
			D485,965	S	2/2004	Slimak et al.
			6,780,081	B2	8/2004	Chen et al.
			D504,201	S	4/2005	Ratcliffe
			D525,012	S	7/2006	Valentin
			D539,506	S	4/2007	Valentin
			2002/0187727	A1	12/2002	Pinna
			2003/0129923	A1	7/2003	Chong
2,793,369	A	5/1957	Panighini			
2,805,420	A	9/1957	Spellos			
2,869,553	A	1/1959	D'or			
3,280,818	A	10/1966	Pankey et al.			
3,934,593	A	1/1976	Mellinger			
4,333,471	A	6/1982	Nakai			
4,805,239	A	2/1989	Ciago			
4,992,074	A	2/1991	Diaz			
D383,591	S	9/1997	Hyde			
5,755,611	A	5/1998	Noble et al.			
5,806,103	A	9/1998	McCracken et al.			
5,998,693	A	12/1999	Zagame			
6,183,340	B1	2/2001	Wen			
6,224,458	B1	5/2001	Chen			
6,231,423	B1	5/2001	Deal et al.			
6,257,952	B1	7/2001	Valentin			



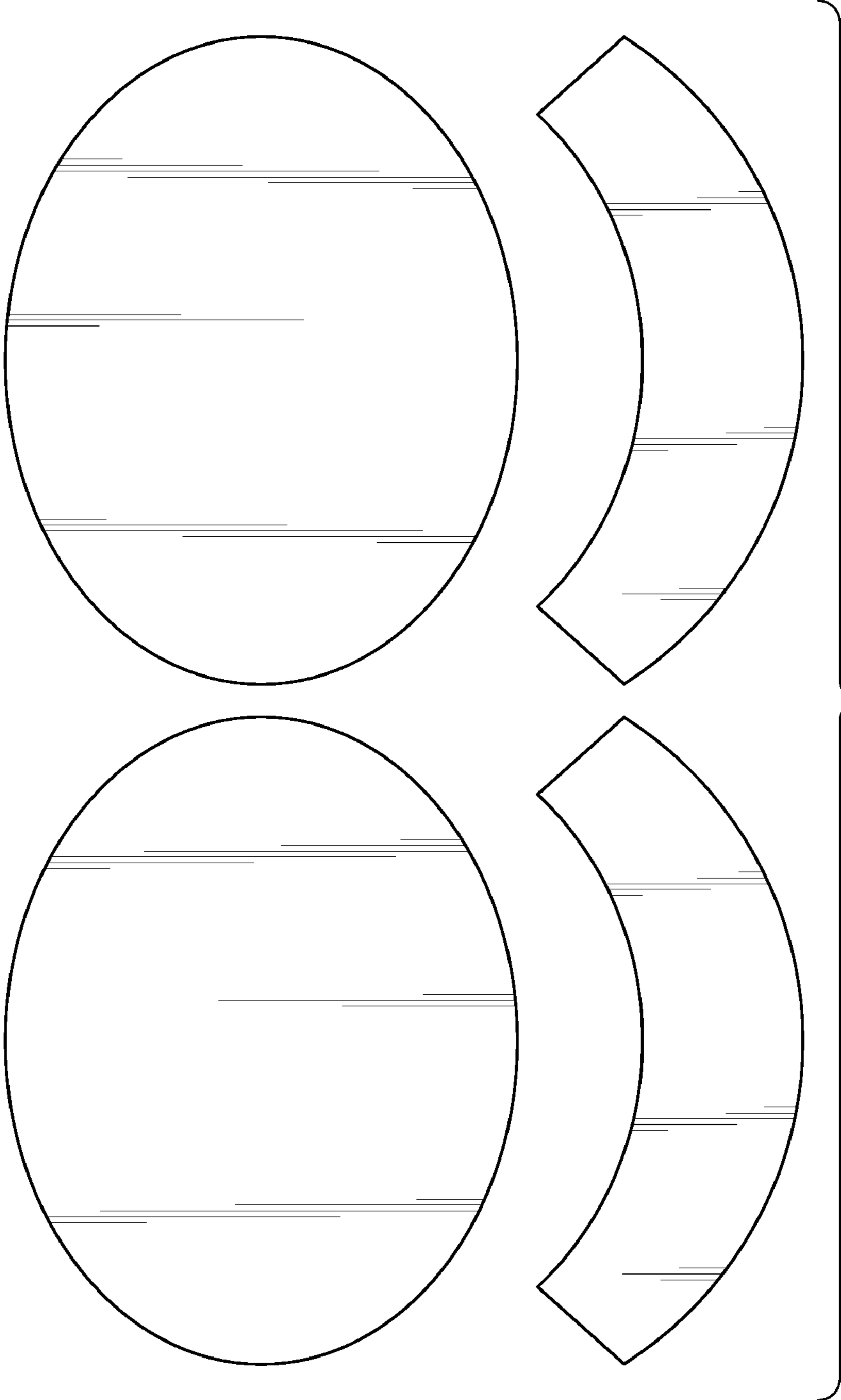


FIG. 4

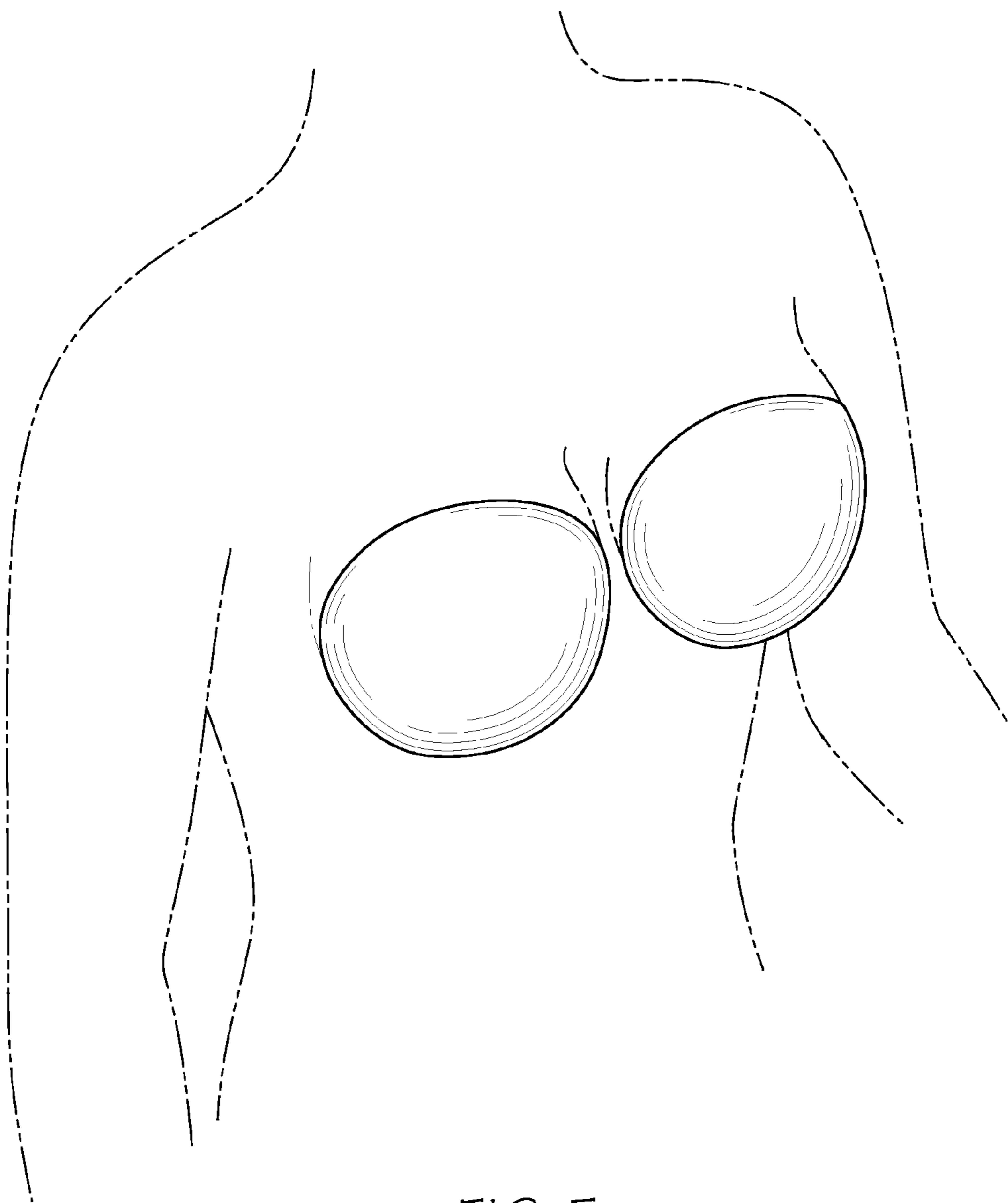


FIG. 5

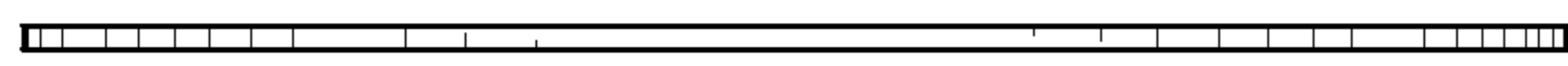
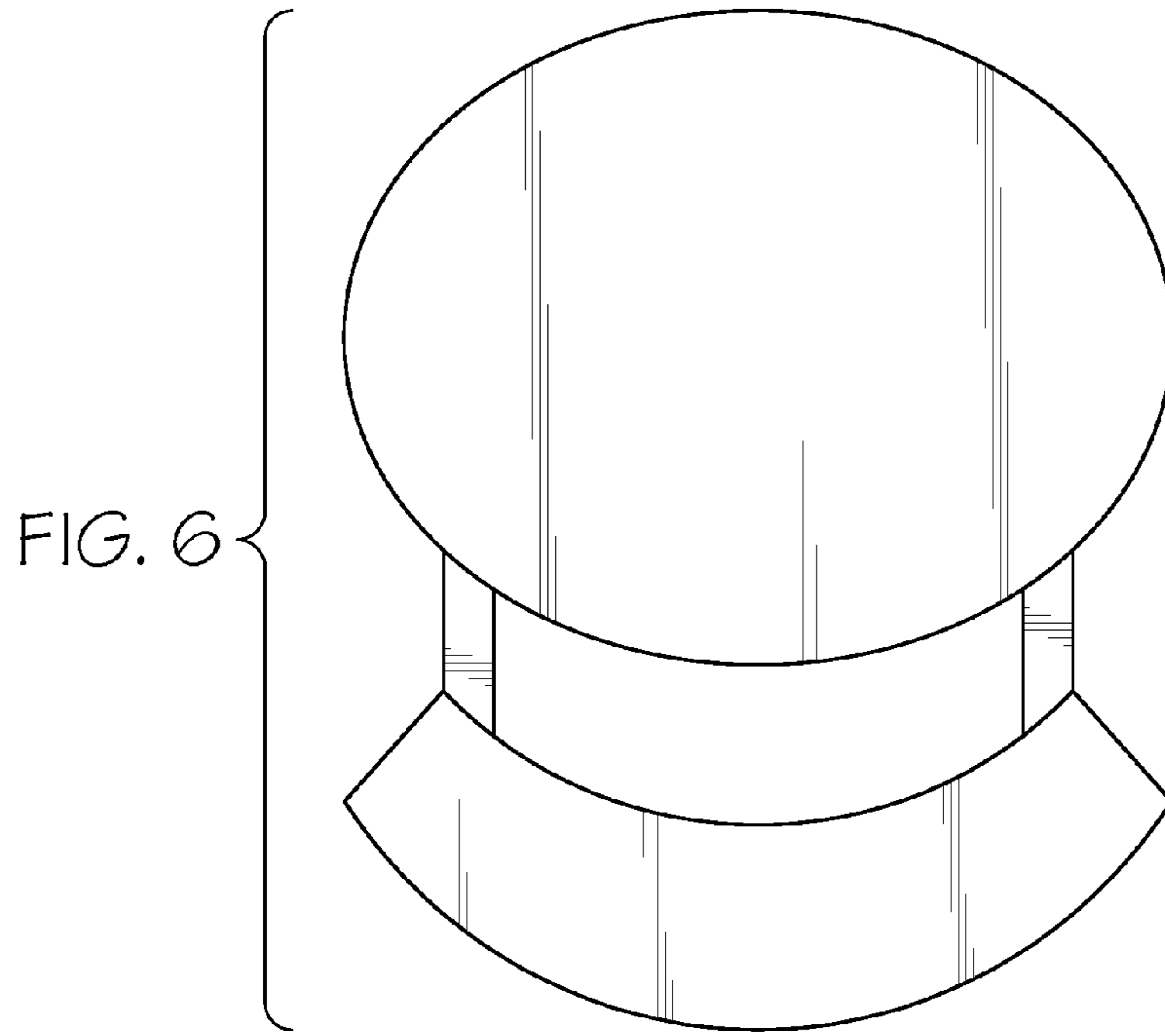


FIG. 7

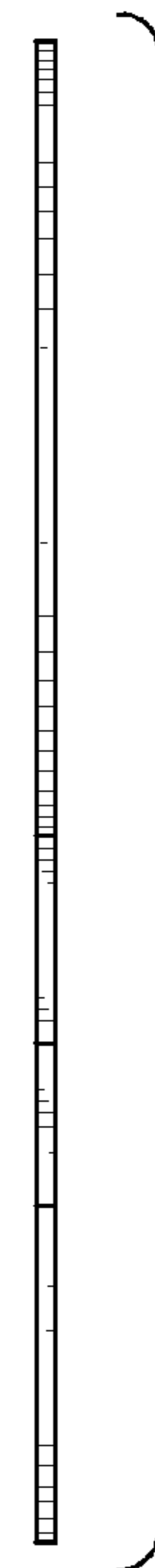


FIG. 8

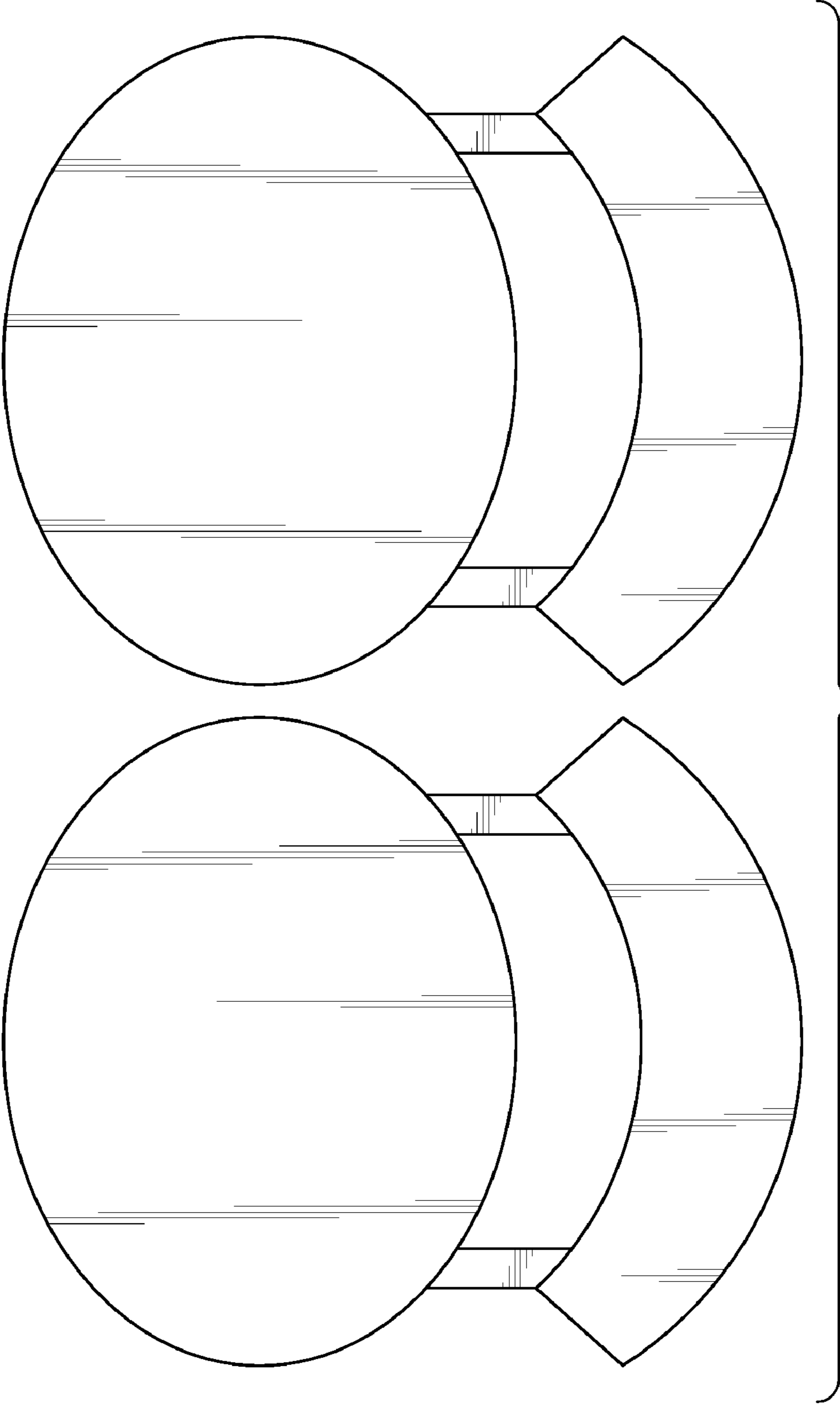


FIG. 9

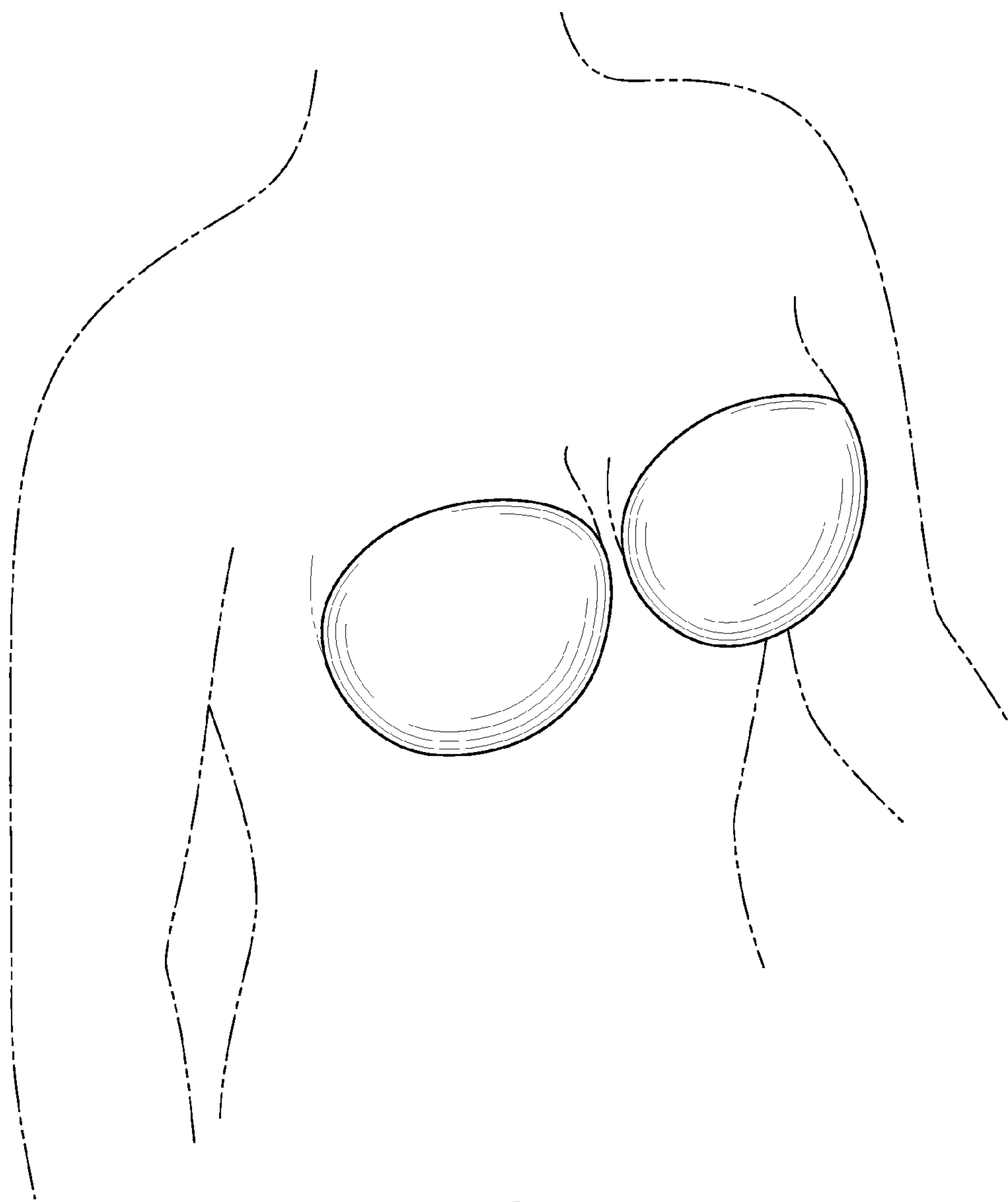


FIG. 10