



US00D575925S

(12) **United States Design Patent**
Ivey

(10) **Patent No.:** **US D575,925 S**

(45) **Date of Patent:** **** Aug. 26, 2008**

(54) **MEMORIAL MARKER**

D252,868 S 9/1979 Cunningham
D365,308 S * 12/1995 White D11/182
6,427,367 B1 8/2002 Phillips
2002/0184798 A1 12/2002 McGovern

(76) Inventor: **Keith J. Ivey**, 336 Cardinal Rd., Elloree, SC (US) 29047

(**) Term: **14 Years**

* cited by examiner

(21) Appl. No.: **29/281,056**

Primary Examiner—Louis S Zarfaz
Assistant Examiner—Michael A Pratt

(22) Filed: **Jun. 14, 2007**

(57) **CLAIM**

(51) **LOC (8) Cl.** **99-00**

The ornamental design for a memorial marker, as shown and described.

(52) **U.S. Cl.** **D99/17**

(58) **Field of Classification Search** D11/95,
D11/96, 97; D99/8, 17, 18, 19, 20, 21, 22,
D99/23, 25, 26, 27

See application file for complete search history.

DESCRIPTION

(56) **References Cited**

FIG. 1 is a front elevated view of a memorial marker showing my new design;

FIG. 2 is a rear elevated view of the memorial marker;

FIG. 3 is a side elevated view of the memorial marker;

FIG. 4 is a top plan view of the memorial marker; and

FIG. 5 is a bottom plan view of the memorial marker; and,

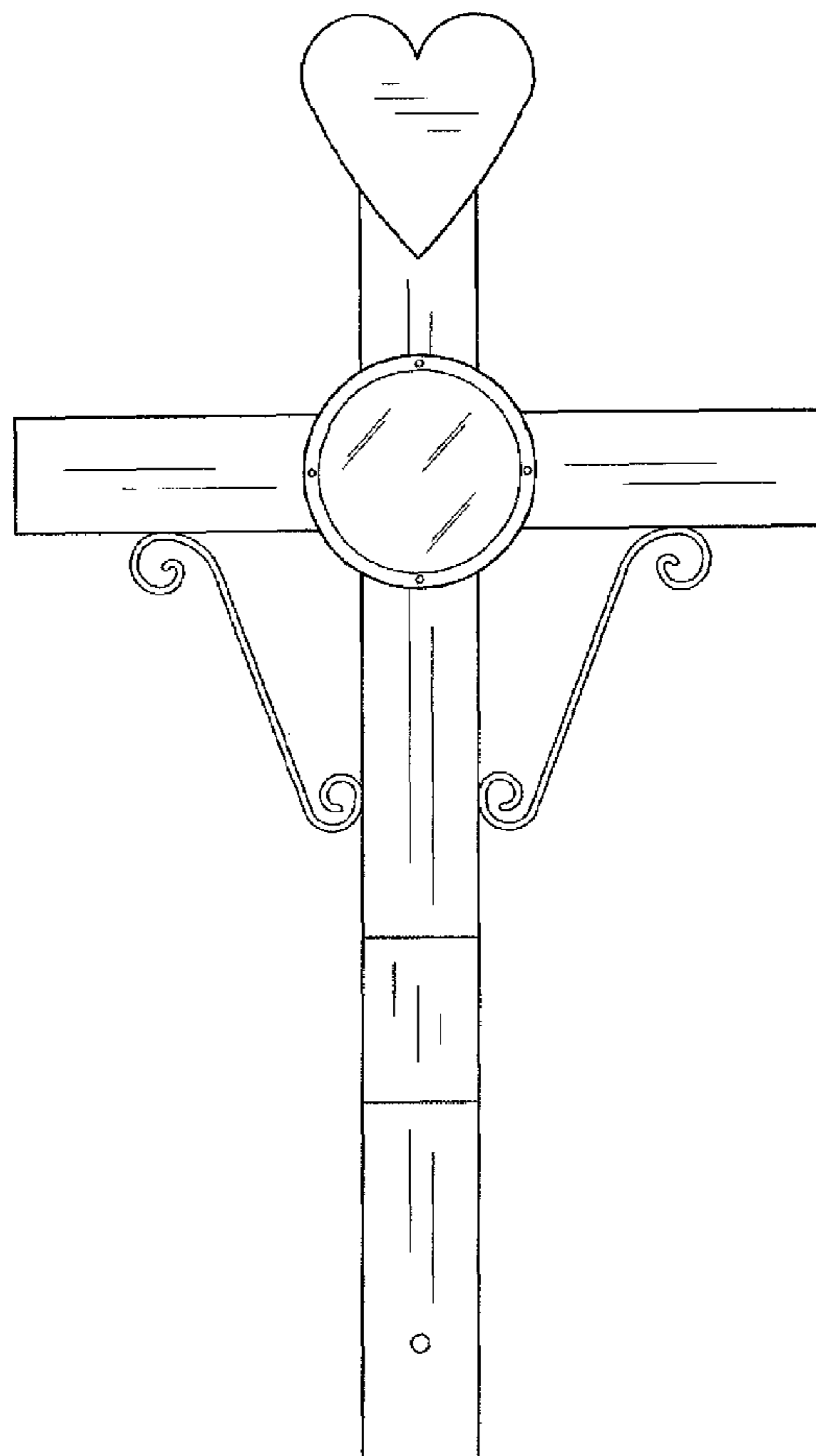
FIG. 6 is a perspective view of the memorial marker.

No claim is made to the area shown in phantom of FIG. 6.

U.S. PATENT DOCUMENTS

D43,511 S *	2/1913	Steiner	D99/22
1,112,640 A	10/1914	Mix		
D51,201 S	8/1917	Donnelly		
1,526,381 A *	2/1925	Slawson	40/124.5
D67,289 S *	5/1925	Ladewich	D99/23
2,036,616 A *	4/1936	Asch	313/312
D125,598 S	3/1941	Sweet		

1 Claim, 4 Drawing Sheets



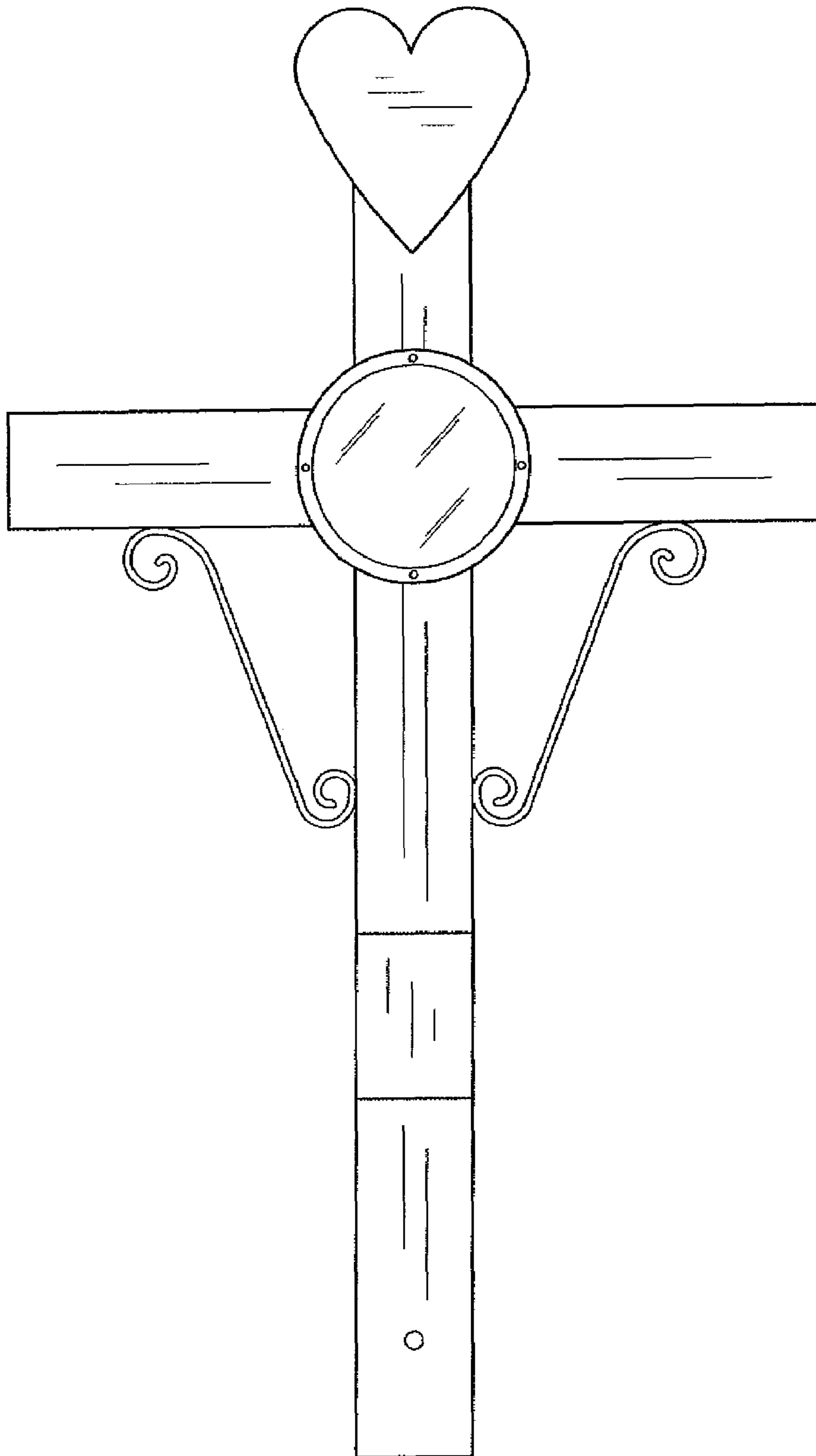


FIG. 1

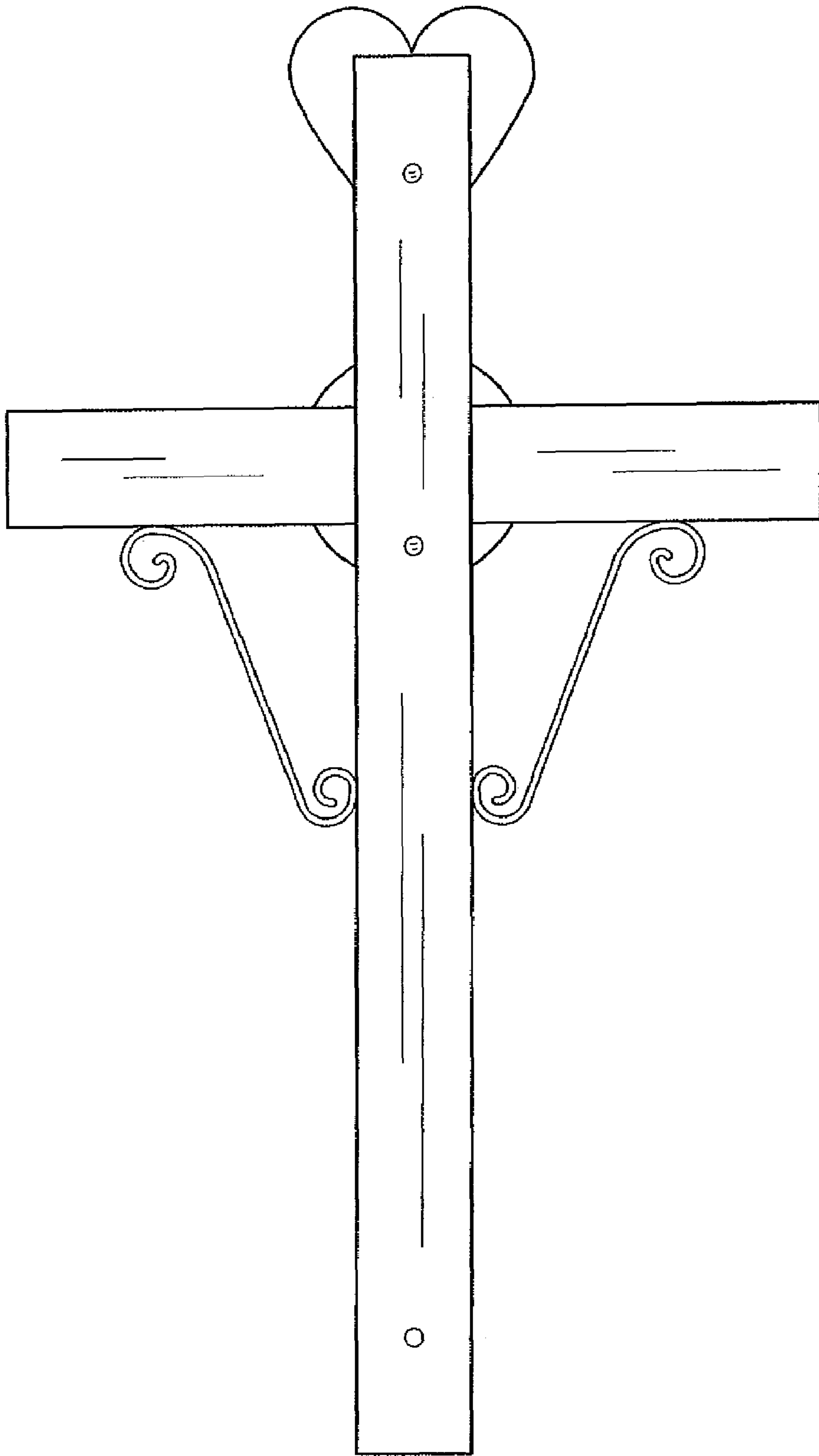


FIG. 2



FIG. 3

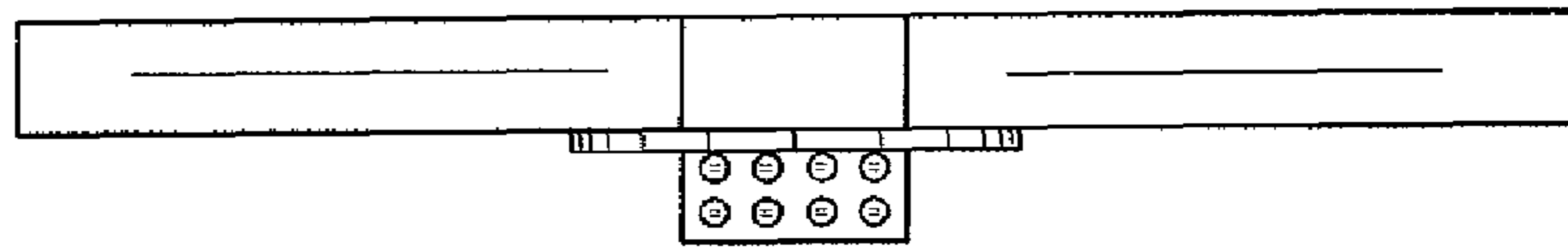


FIG. 4

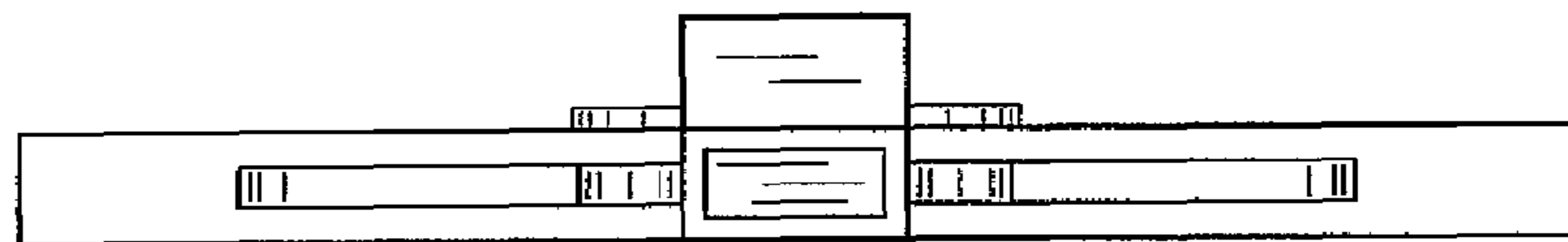


FIG. 5

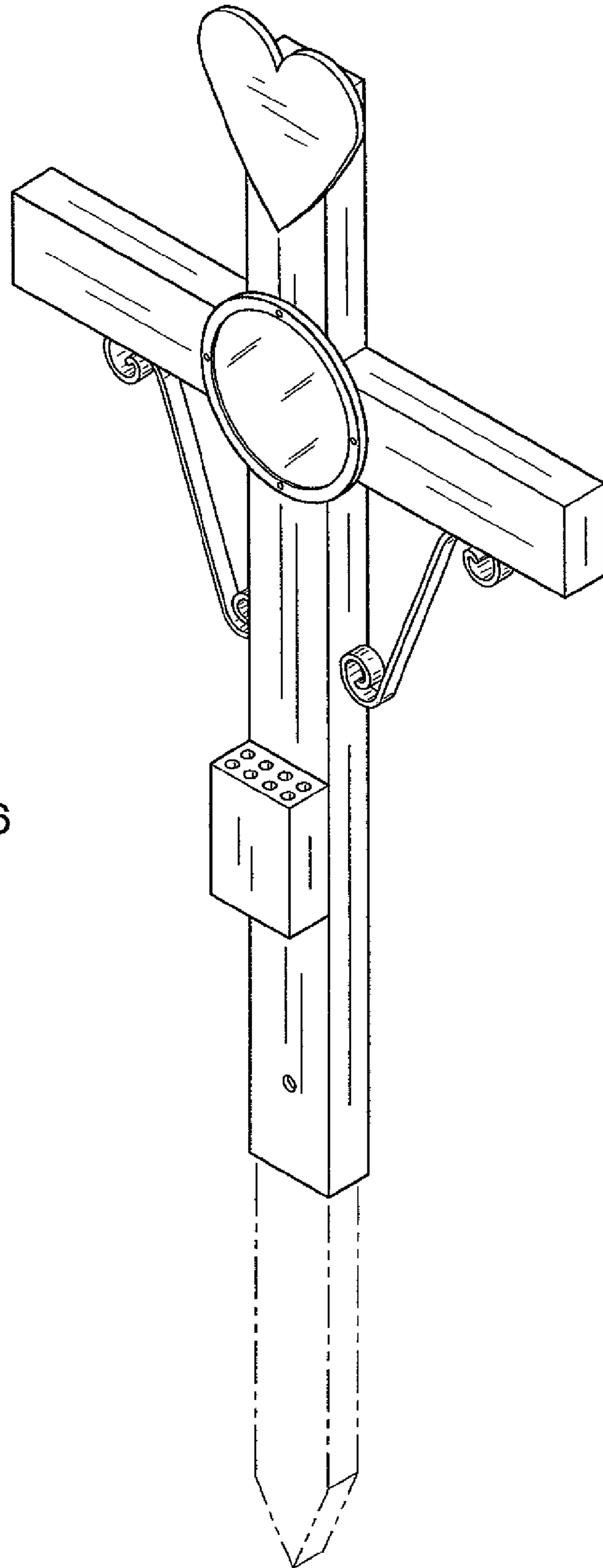


FIG. 6