



US00D575921S

(12) **United States Design Patent**  
**Stone, Jr.**

(10) **Patent No.:** **US D575,921 S**

(45) **Date of Patent:** **\*\* Aug. 26, 2008**

(54) **MOVER'S DOLLY FOR DOORS**

(76) Inventor: **Raymond E. Stone, Jr.**, 301 Shore Dr.,  
Guilford, CT (US) 06437

(\*\*) Term: **14 Years**

(21) Appl. No.: **29/291,792**

(22) Filed: **Sep. 14, 2007**

(51) **LOC (8) Cl.** ..... **12-02**

(52) **U.S. Cl.** ..... **D34/23; D34/28**

(58) **Field of Classification Search** ..... D34/28,  
D34/12-27; 280/47.24, 47.26, 47.27, 47.28,  
280/79.11, 79.2, 79.5, 47.13, 40, 63, 38,  
280/47.21; 248/129

See application file for complete search history.

(56) **References Cited**

**U.S. PATENT DOCUMENTS**

849,816	A *	4/1907	Sjostrom	296/180
2,816,771	A *	12/1957	Hunt	280/47.131
3,547,457	A *	12/1970	Langer	280/47.131
3,942,813	A *	3/1976	Dombroski	280/47.131
4,530,510	A *	7/1985	Driggers	280/47.17
4,850,605	A	7/1989	Ray	
D310,894	S	9/1990	Smith	
5,226,656	A	7/1993	Mayer	
5,244,221	A	9/1993	Ward	

5,318,316	A	6/1994	Shurtleff	
5,332,243	A *	7/1994	Berry	280/35
5,378,103	A	1/1995	Rolnicki et al.	
D408,111	S *	4/1999	Cook	D34/24
6,250,655	B1	6/2001	Sheeks	
6,299,185	B1	10/2001	Lewis	
6,866,274	B1	3/2005	Muscat	
6,880,836	B2 *	4/2005	Kawensky	280/79.11
2002/0033584	A1 *	3/2002	Kawensky	280/79.11

\* cited by examiner

*Primary Examiner*—Cynthia E Ramirez

(74) *Attorney, Agent, or Firm*—Robert C. Montgomery;  
Eugene A. Vittone, II

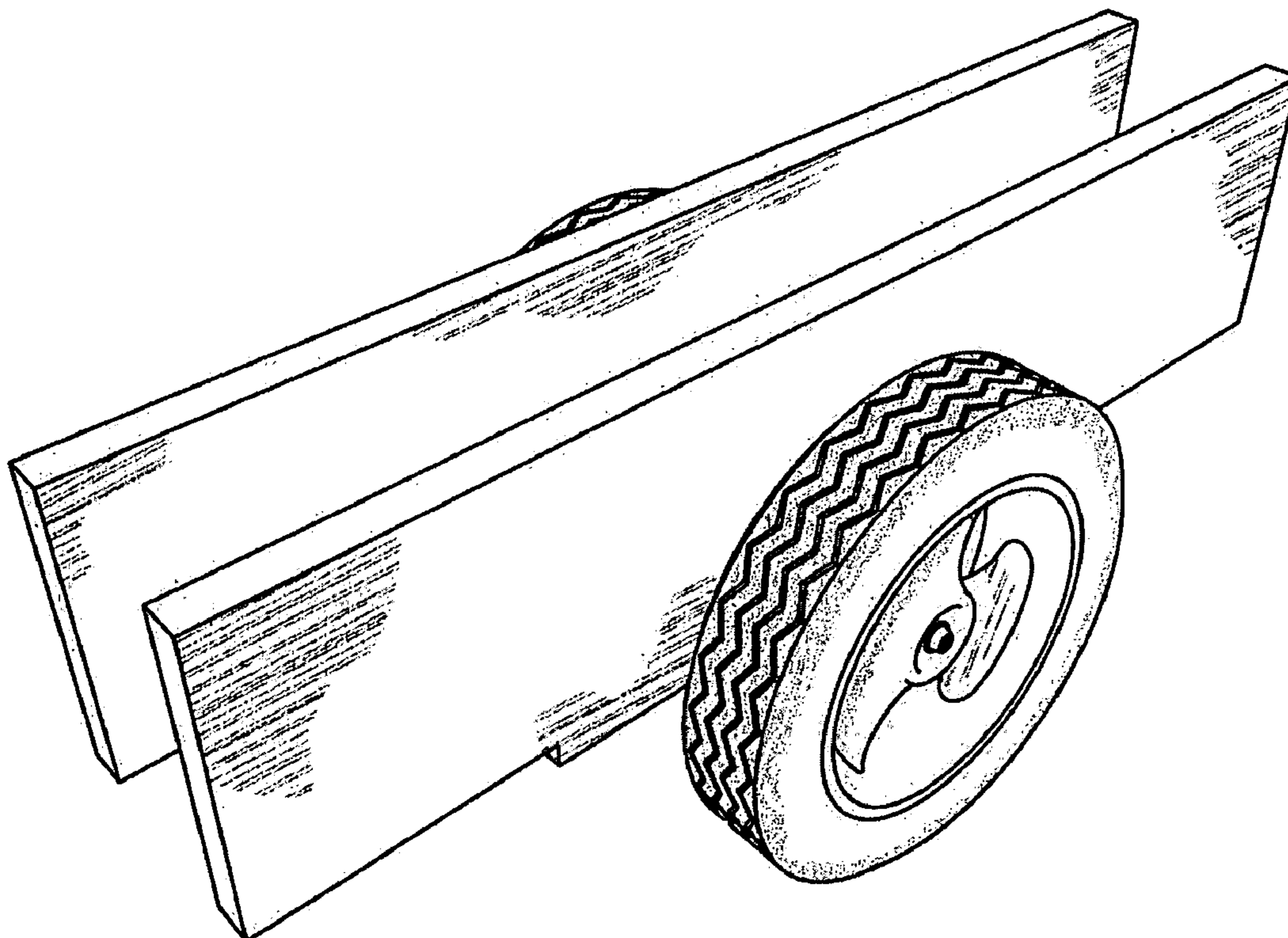
(57) **CLAIM**

The ornamental design for a mover's dolly for doors, as shown and described.

**DESCRIPTION**

FIG. 1 is a perspective view of a mover's dolly for doors showing my new design;  
FIG. 2 is a front view thereof;  
FIG. 3 is a side view thereof;  
FIG. 4 is a top view thereof; and,  
FIG. 5 is a bottom view thereof.

**1 Claim, 5 Drawing Sheets**



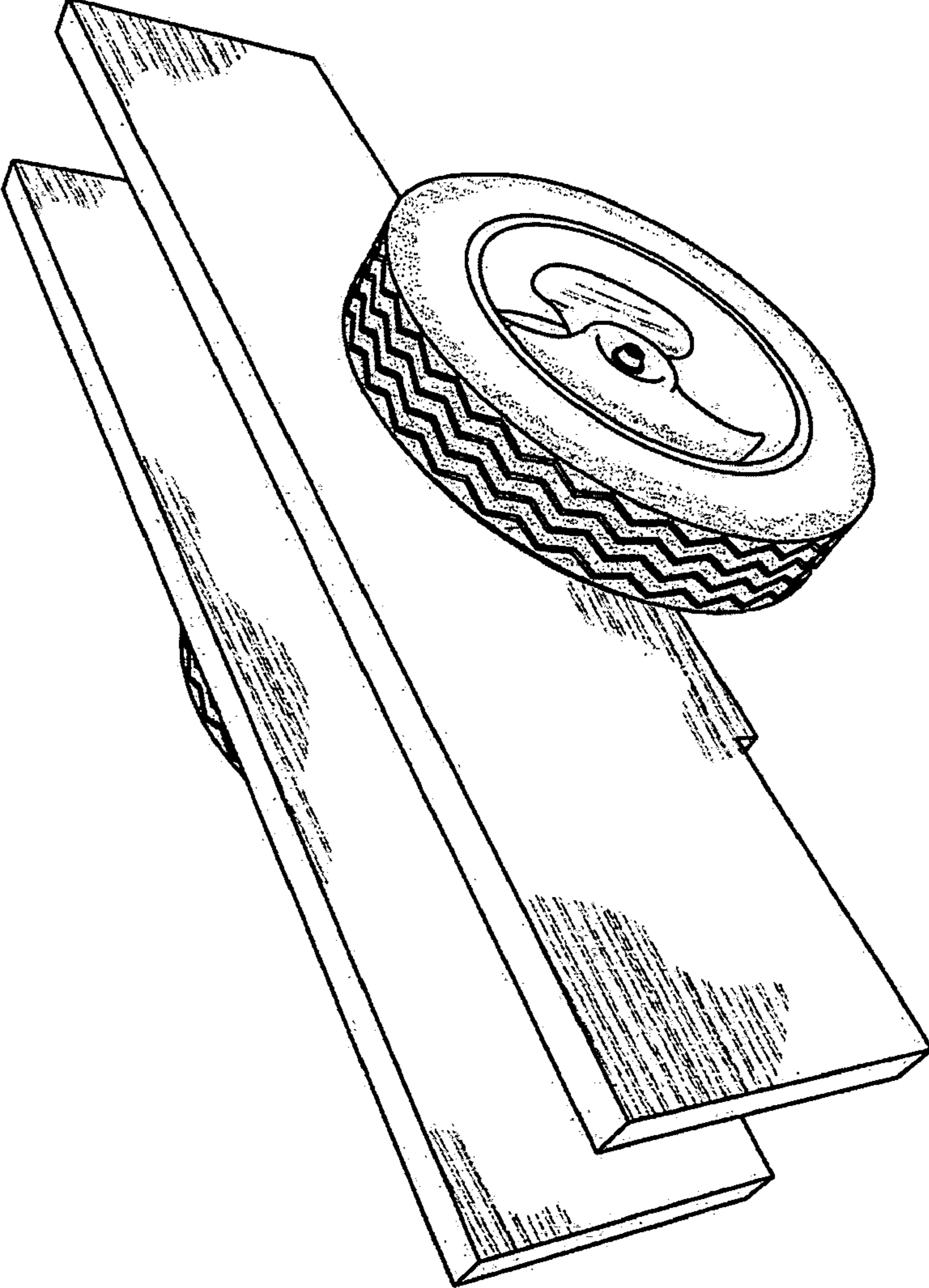


Fig. 1

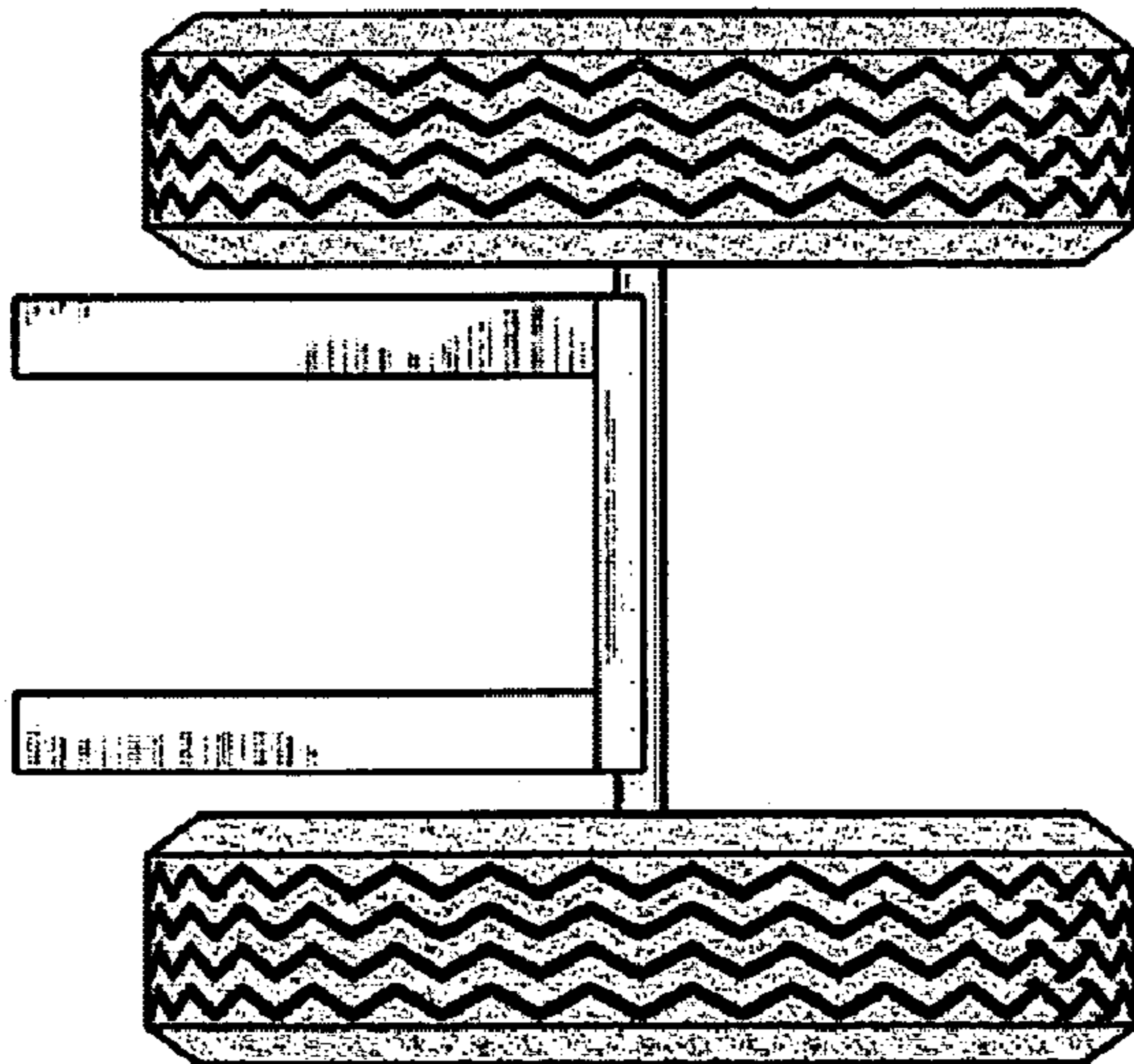


Fig. 2

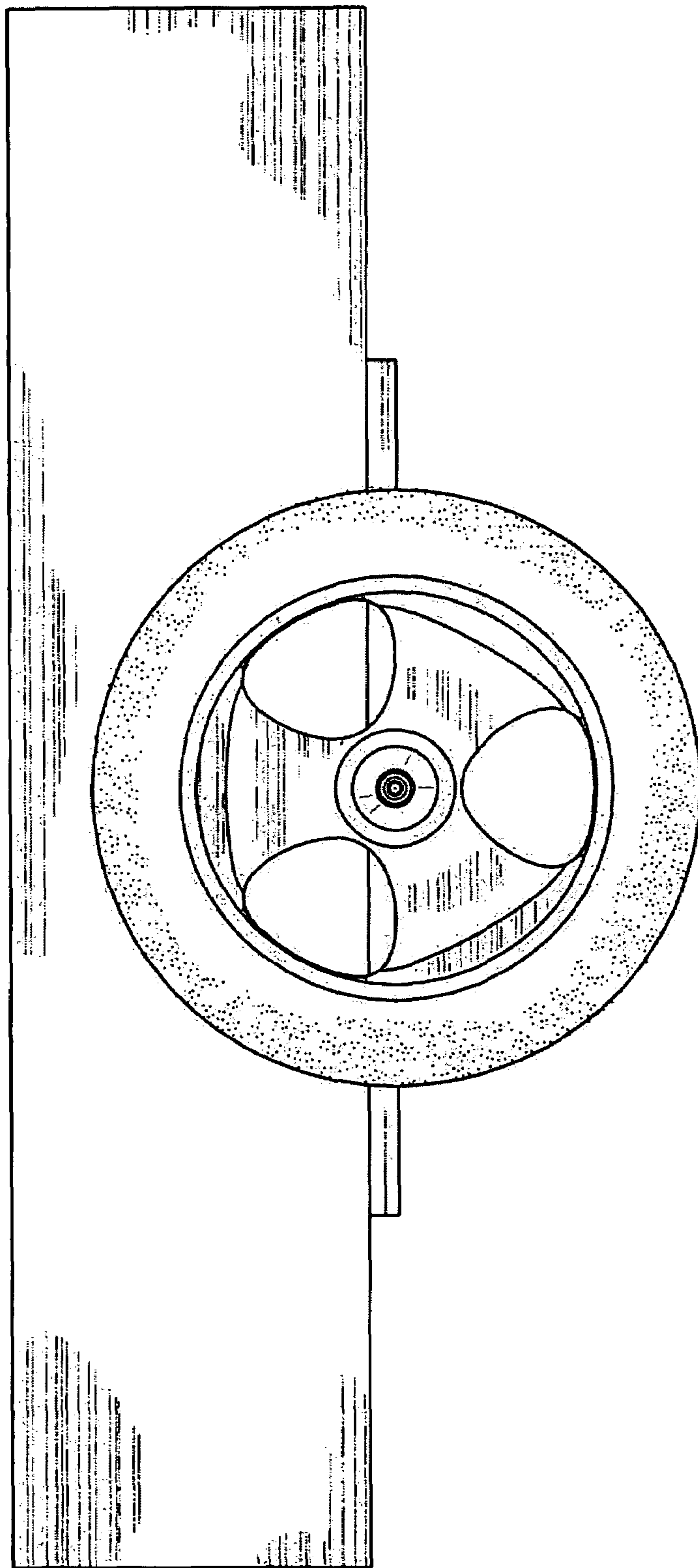


Fig. 3

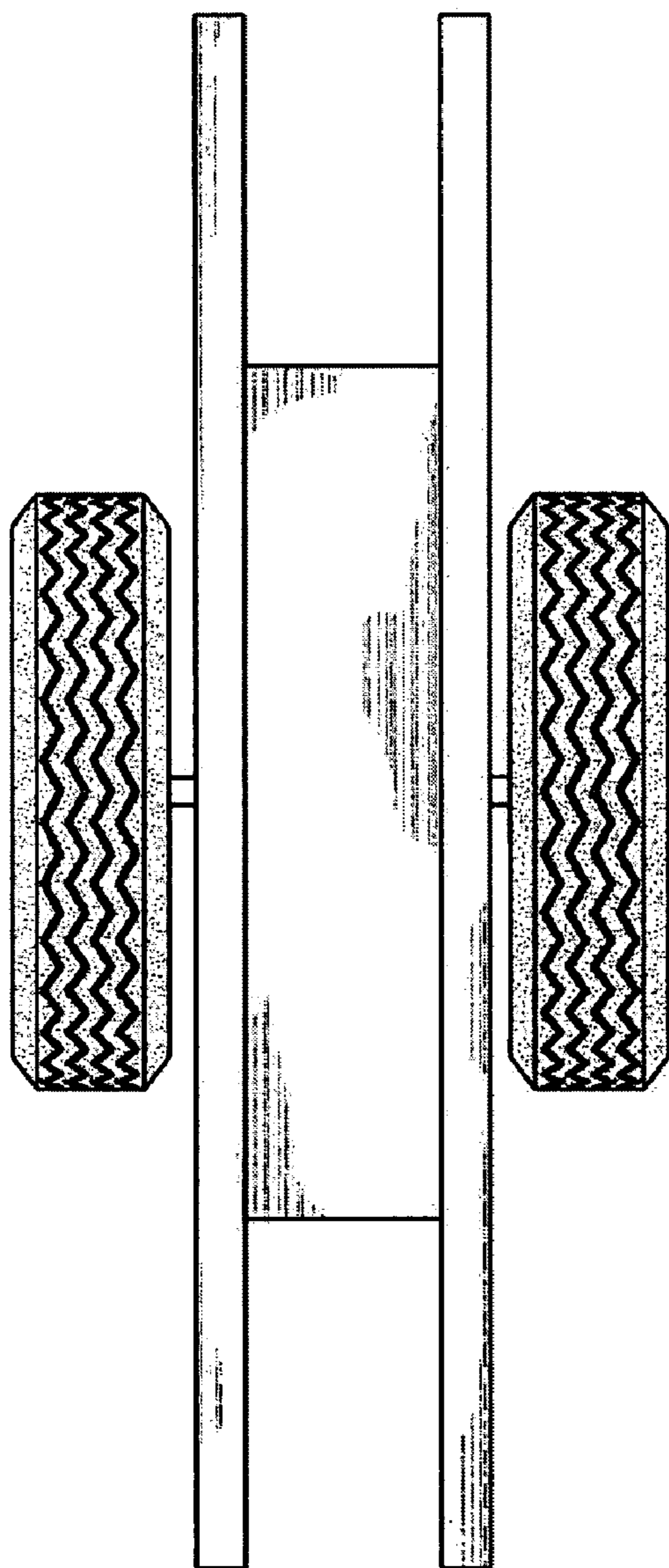


Fig. 4

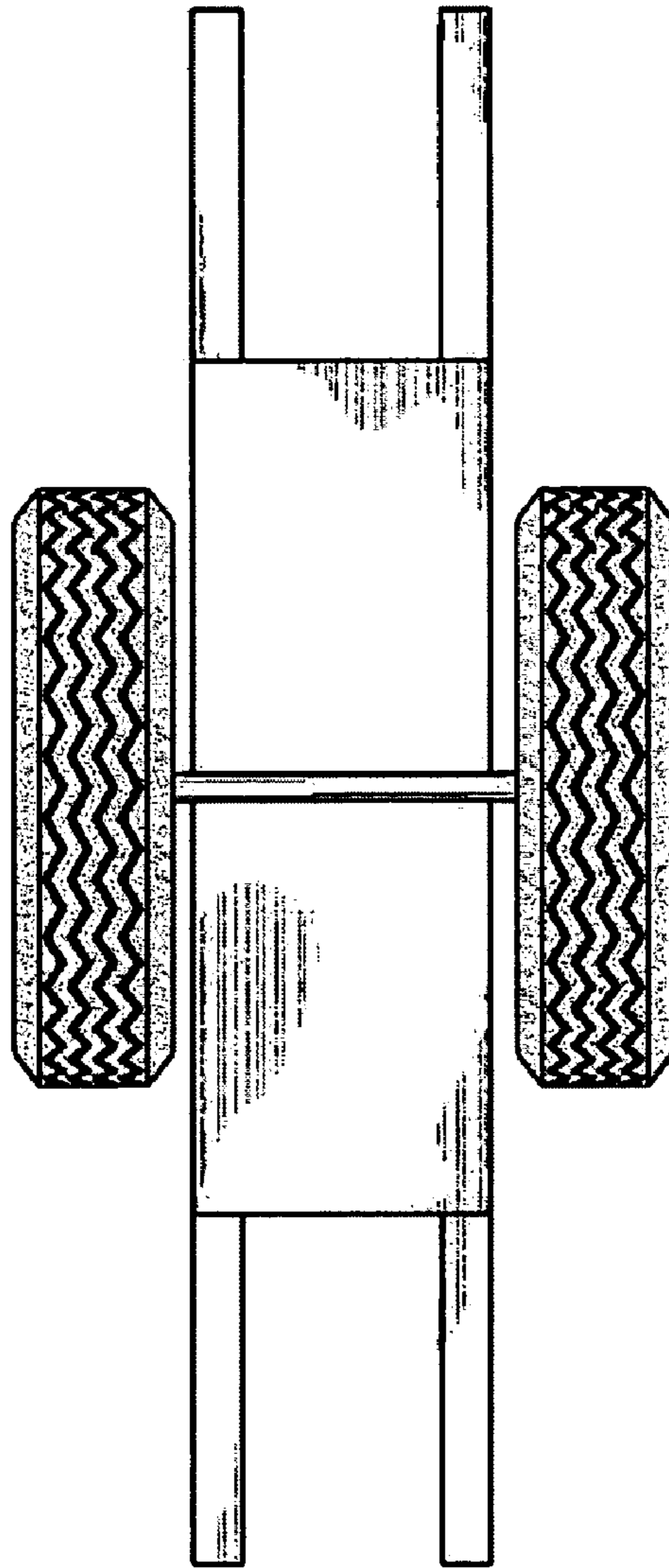


Fig. 5