



US00D575920S

(12) **United States Design Patent**
Presnell

(10) **Patent No.:** **US D575,920 S**

(45) **Date of Patent:** **** Aug. 26, 2008**

(54) **CONTAINER**

D487,539 S * 3/2004 Moroney D34/7

(75) Inventor: **Donald C. Presnell**, Stephens City, VA
(US)

* cited by examiner

Primary Examiner—Cynthia E Ramirez

(73) Assignee: **Rubbermaid Commercial Products**
LLC, Winchester, VA (US)

(74) *Attorney, Agent, or Firm*—Foley & Lardner LLP

(**) Term: **14 Years**

(57) **CLAIM**

(21) Appl. No.: **29/284,125**

The ornamental design for a container, as shown and described.

(22) Filed: **Aug. 31, 2007**

DESCRIPTION

(51) **LOC (8) Cl.** **09-09**

FIG. 1 is a top frontal perspective view of a container according to my new design;

(52) **U.S. Cl.** **D34/7**

FIG. 2 is a front view of the container shown in FIG. 1;

(58) **Field of Classification Search** D34/1,
D34/5, 6, 7, 8, 9, 10, 11; 220/908–913

FIG. 3 is a back view of the container shown in FIG. 1;

See application file for complete search history.

FIG. 4 is a left side view of the container shown in FIG. 1;

FIG. 5 is a right side view of the container shown in FIG. 1;

(56) **References Cited**

U.S. PATENT DOCUMENTS

1,238,993	A *	9/1917	Edwards	220/825
D201,526	S *	6/1965	Martino et al.	D34/8
3,394,832	A *	7/1968	McAllister et al.	220/254.3
D229,279	S *	11/1973	Kay et al.	D34/1
3,793,756	A *	2/1974	Kay et al.	40/306
3,803,738	A *	4/1974	Weiss	40/306
6,176,388	B1 *	1/2001	Orndorff	220/662

FIG. 6 is a top view of the container shown in FIG. 1; and,

FIG. 7 is a bottom view of the container shown in FIG. 1.

The ornamental design which is claimed is shown in solid lines in the drawings. The broken lines in the drawings are for illustrative purposes only and form no part of the claimed design.

1 Claim, 4 Drawing Sheets

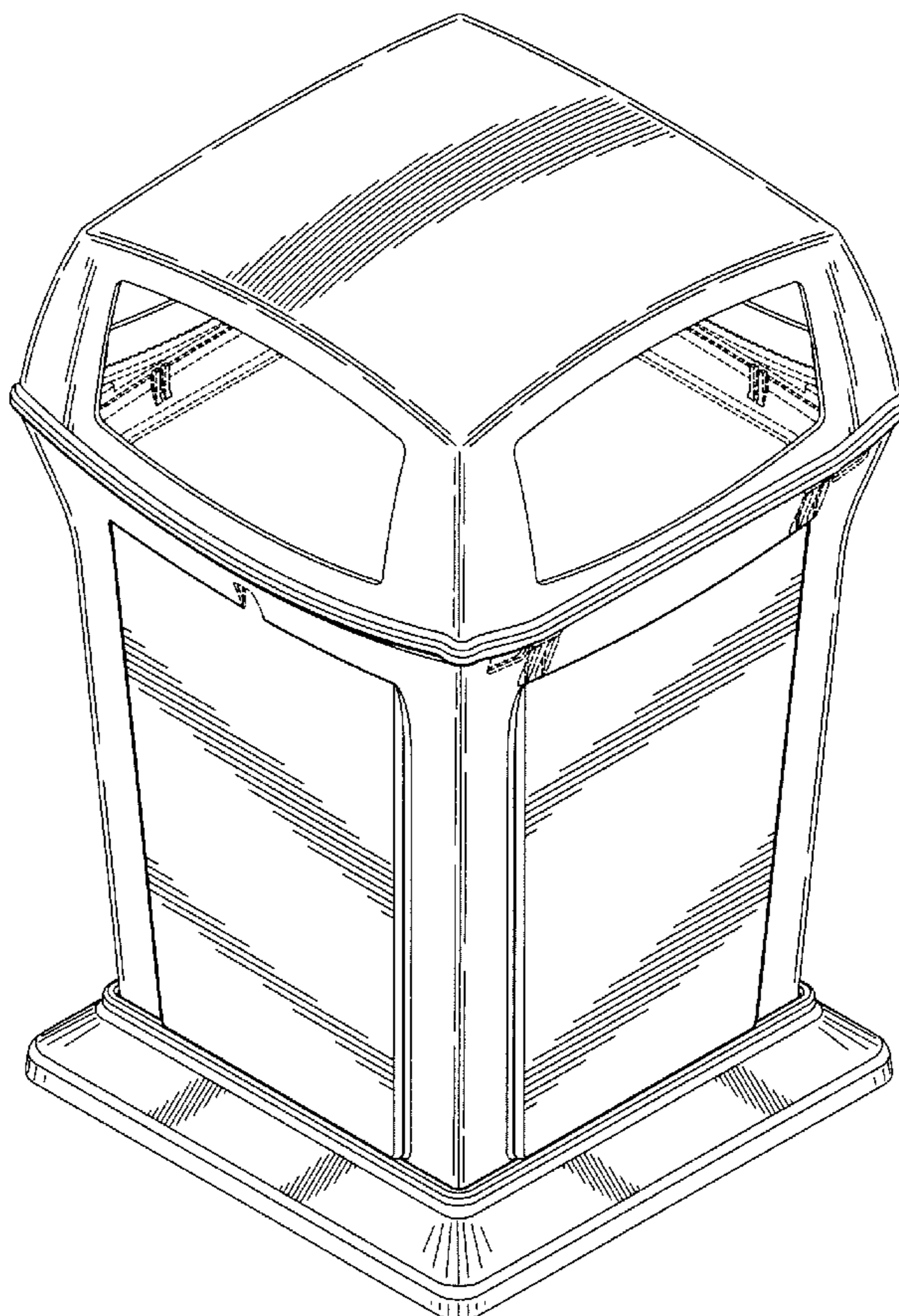


Fig. 1

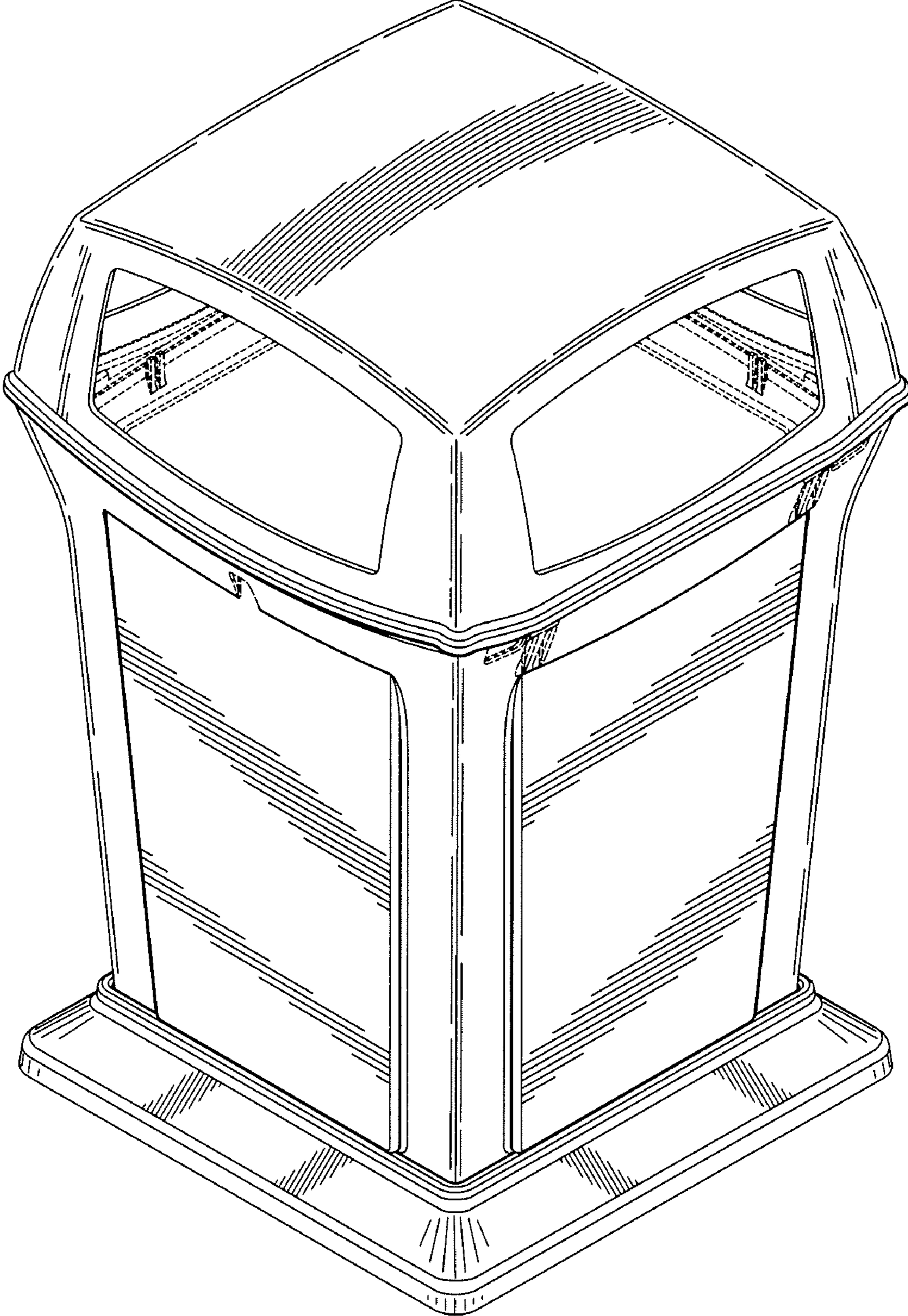


Fig. 3

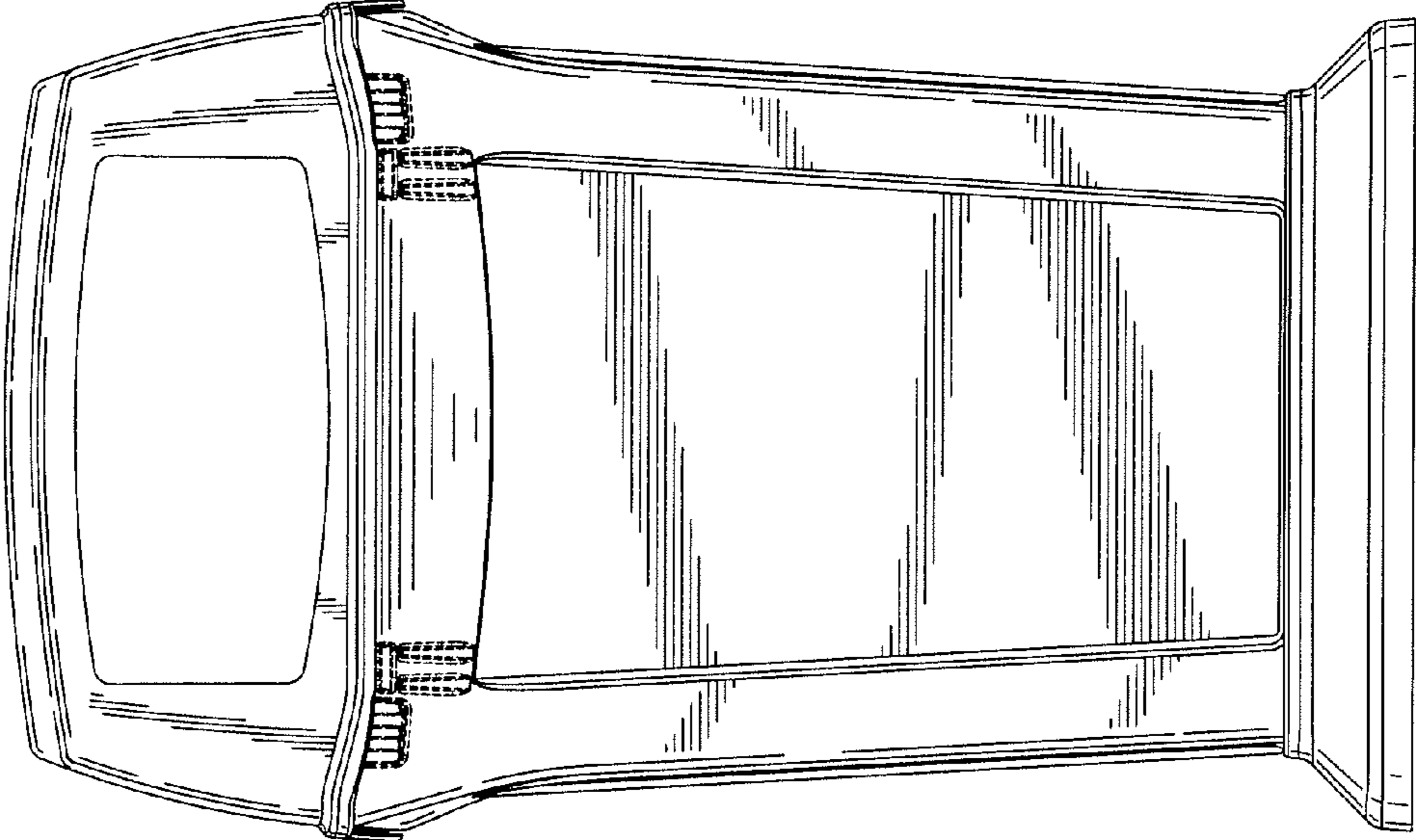


Fig. 2

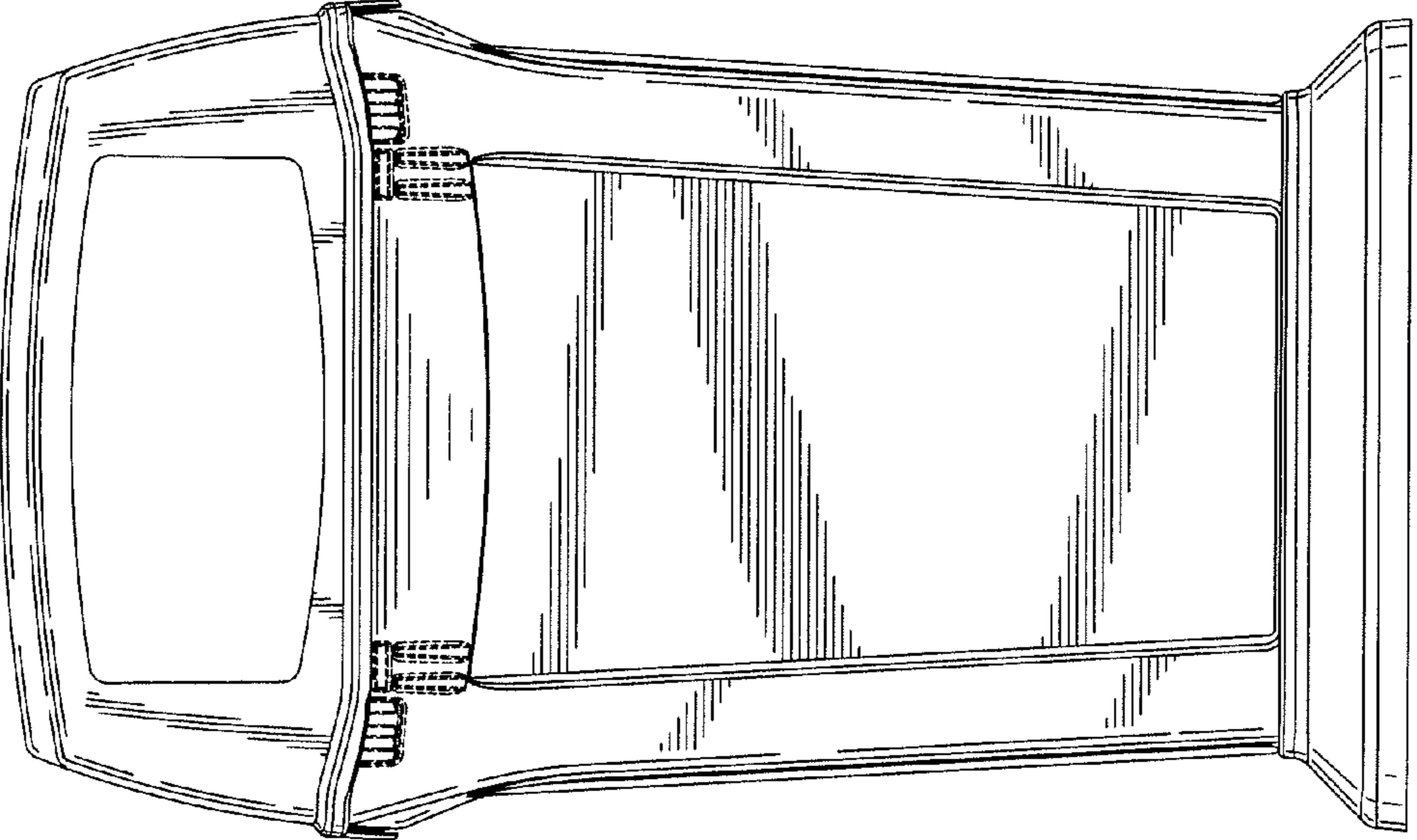


Fig. 5

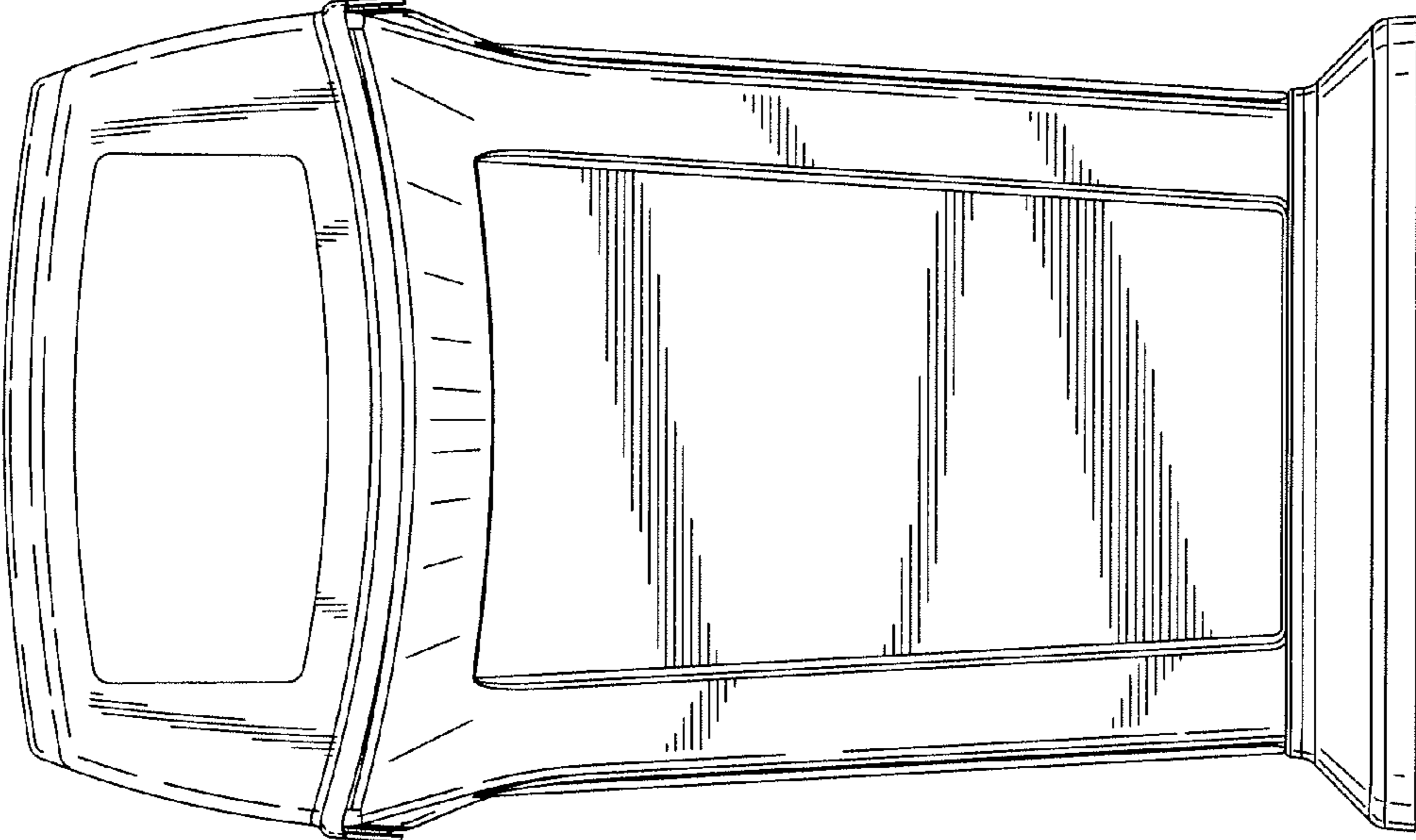


Fig. 4

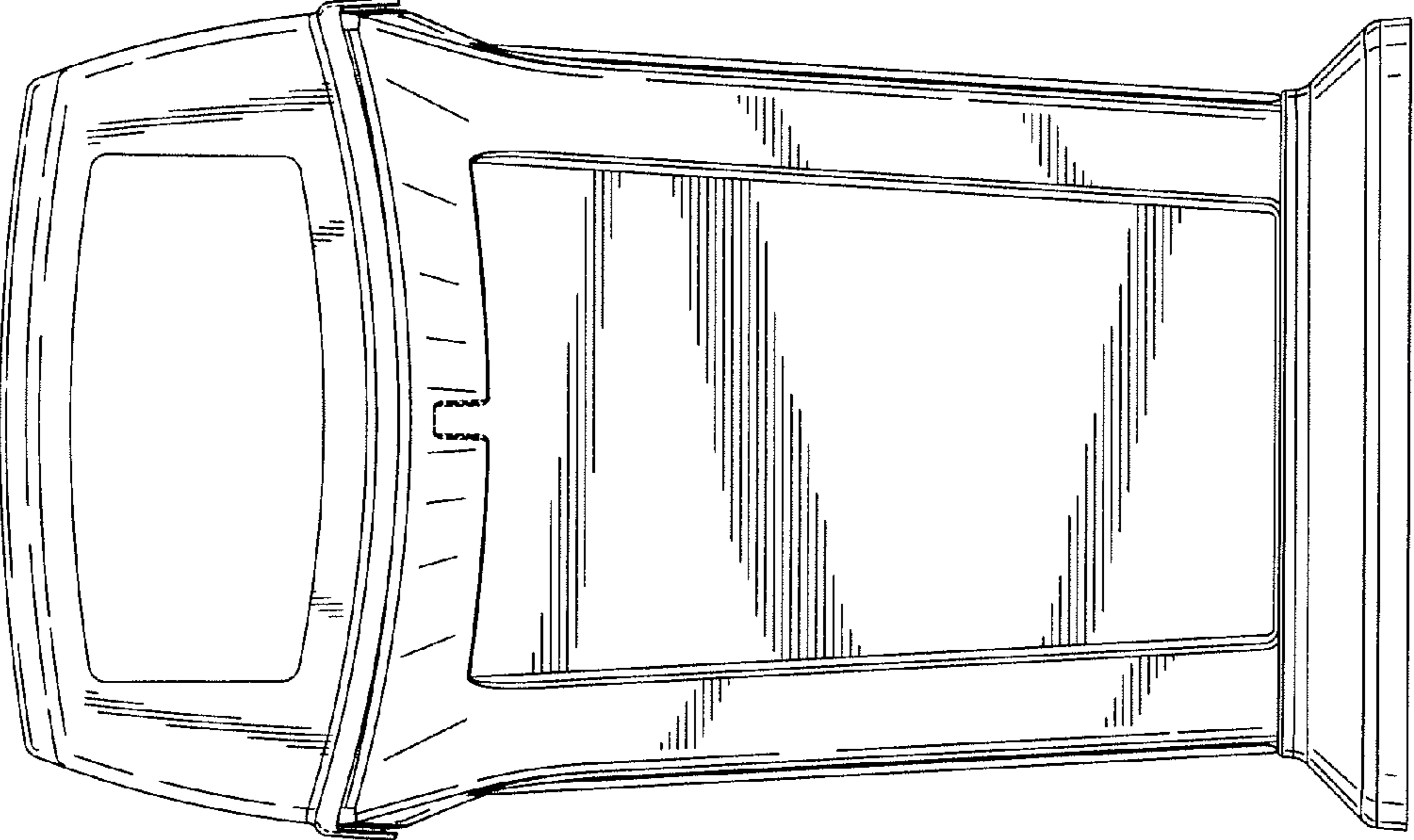


Fig. 7

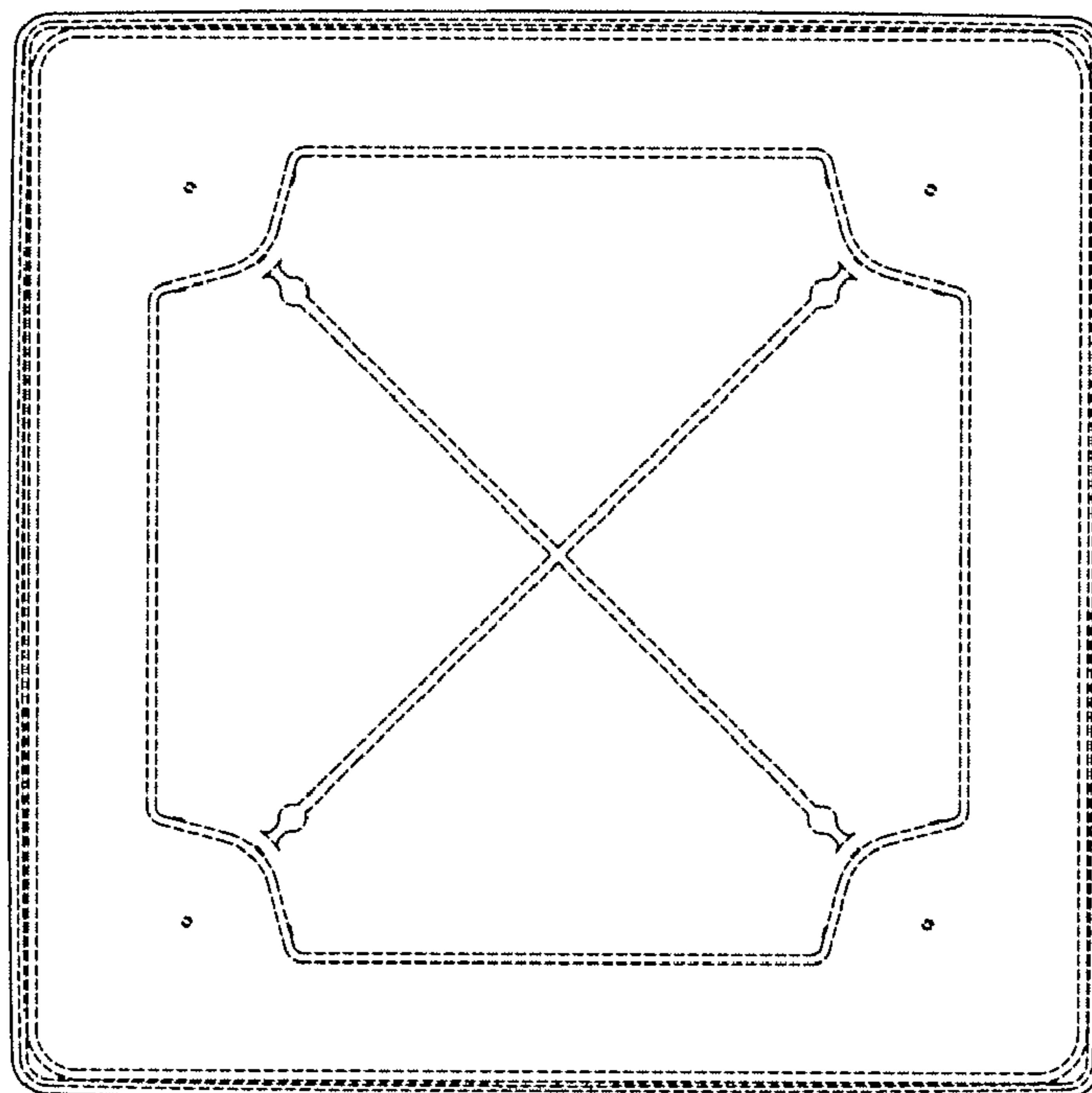


Fig. 6

