



US00D575919S

(12) **United States Design Patent**
Siegel

(10) **Patent No.:** **US D575,919 S**

(45) **Date of Patent:** **** Aug. 26, 2008**

(54) **TRASH CAN STABILIZER**

(76) Inventor: **Harold M. Siegel**, 125 Toll Dr.,
Southampton, PA (US) 18966

(**) Term: **14 Years**

(21) Appl. No.: **29/291,583**

(22) Filed: **Sep. 6, 2007**

(51) **LOC (8) Cl.** **09-09**

(52) **U.S. Cl.** **D34/6; D34/10**

(58) **Field of Classification Search** D34/10,
D34/11, 5, 6, 23; 211/85.19; 248/346.01;
220/908-911

See application file for complete search history.

(56) **References Cited**

U.S. PATENT DOCUMENTS

1,036,203	A *	8/1912	Packler	248/129
2,503,531	A *	4/1950	Welter	211/85.19
2,546,797	A	3/1951	Swisher et al.	
2,584,295	A *	2/1952	Sanzenbacher	99/419
D187,758	S *	4/1960	Acree	D34/6
3,141,644	A	7/1964	Baird	
3,214,120	A *	10/1965	McKee	248/129
3,377,085	A *	4/1968	Fralick	280/408
4,072,286	A	2/1978	Foncannon	
4,431,166	A	2/1984	Marshall	
4,623,308	A	11/1986	Hellon	
D294,994	S	3/1988	Burgett	

5,067,686	A	11/1991	Peterson	
5,137,237	A *	8/1992	Haskins	248/188.7
D340,563	S *	10/1993	Kean et al.	D34/23
5,739,449	A *	4/1998	Torres, Jr.	84/421
6,739,565	B1	5/2004	Spadafora	
D508,595	S *	8/2005	Reiter	D34/6
6,951,328	B1	10/2005	Drapeau et al.	
7,021,884	B1 *	4/2006	Altman	414/463

* cited by examiner

Primary Examiner—Cynthia E Ramirez

(74) *Attorney, Agent, or Firm*—Robert C. Montgomery;
Eugene A. Vittone, II

(57) **CLAIM**

The ornamental design for a trash can stabilizer, as shown and described.

DESCRIPTION

FIG. 1 is a perspective view of a trash can stabilizer, as shown and described;

FIG. 2 is a front view thereof;

FIG. 3 is a rear view thereof;

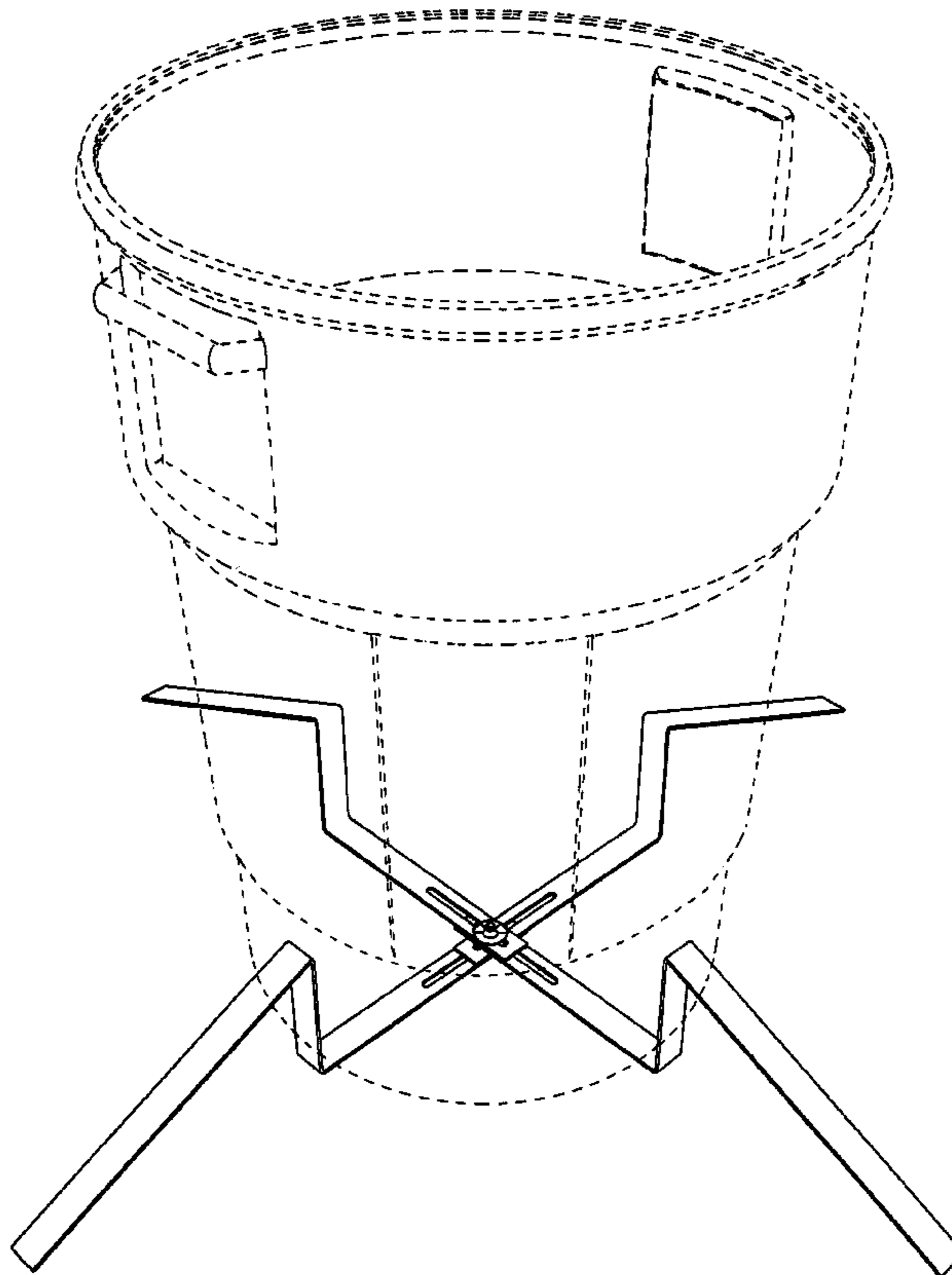
FIG. 4 is a left side view thereof;

FIG. 5 is a right side view thereof;

FIG. 6 is a top view thereof; and,

FIG. 7 is a bottom view thereof.

1 Claim, 7 Drawing Sheets



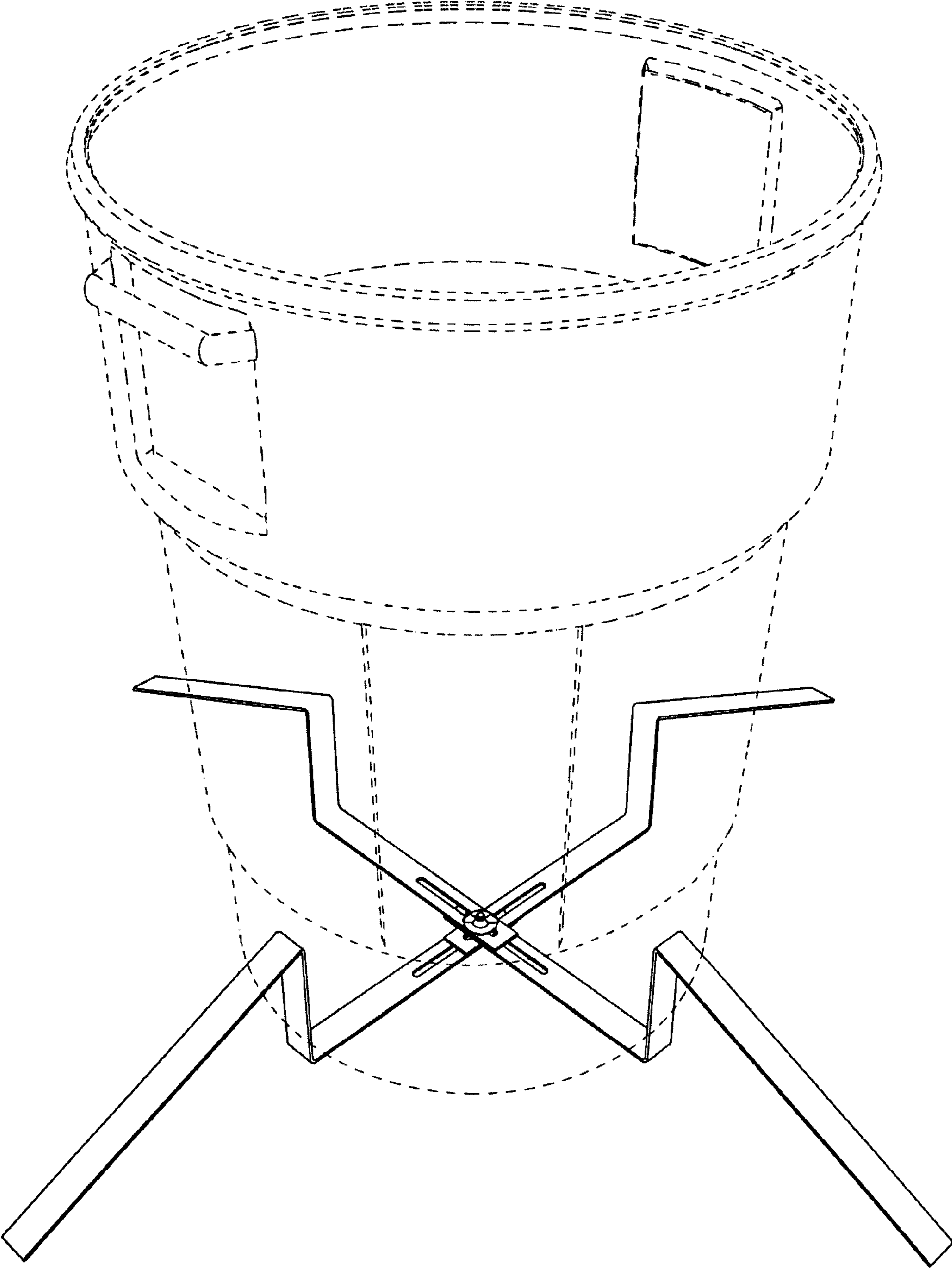


Fig. 1

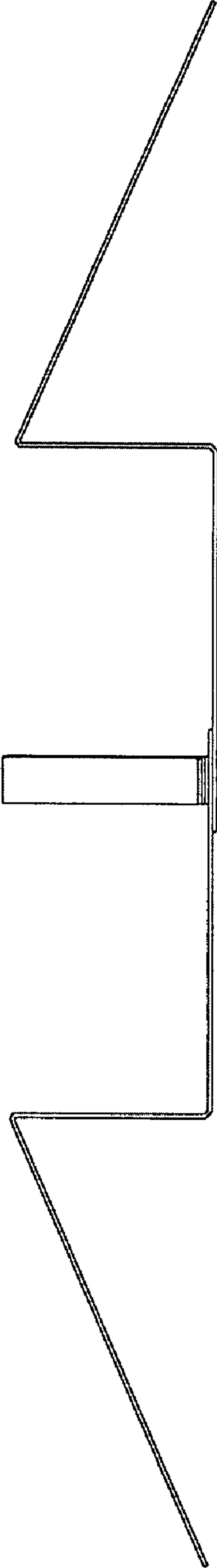


Fig. 2

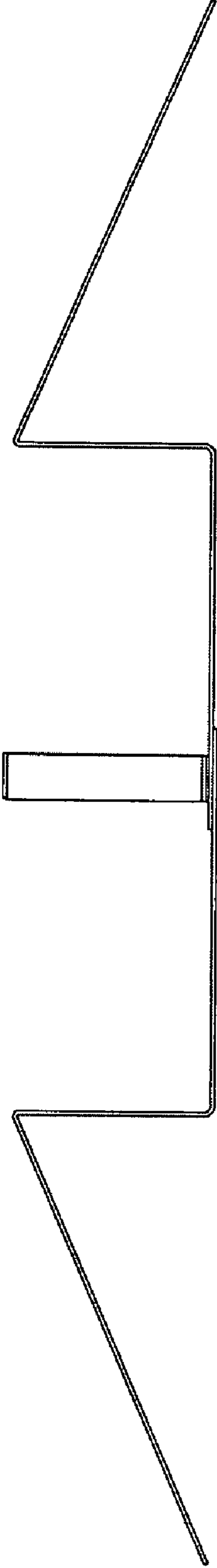


Fig. 3

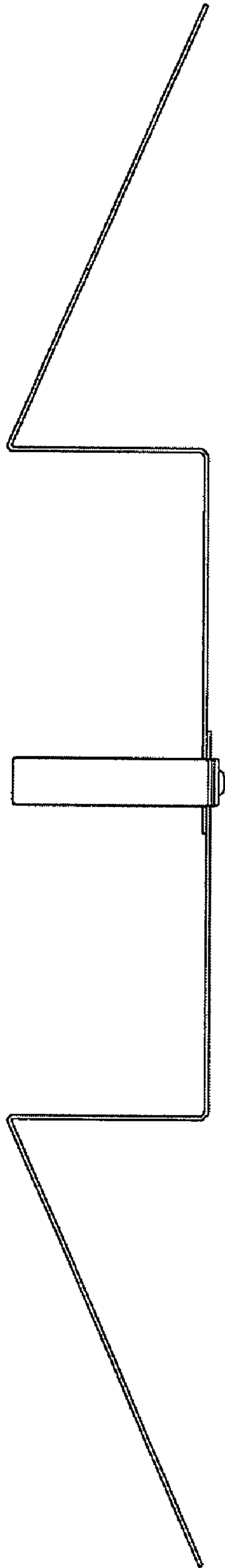


Fig. 4

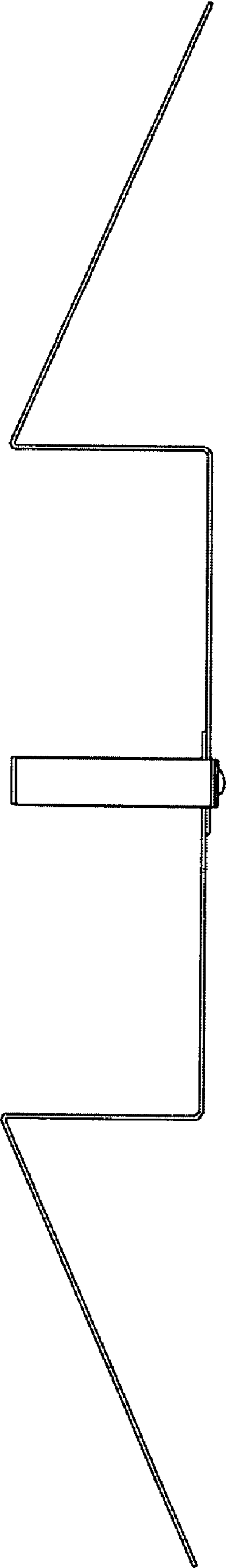


Fig. 5

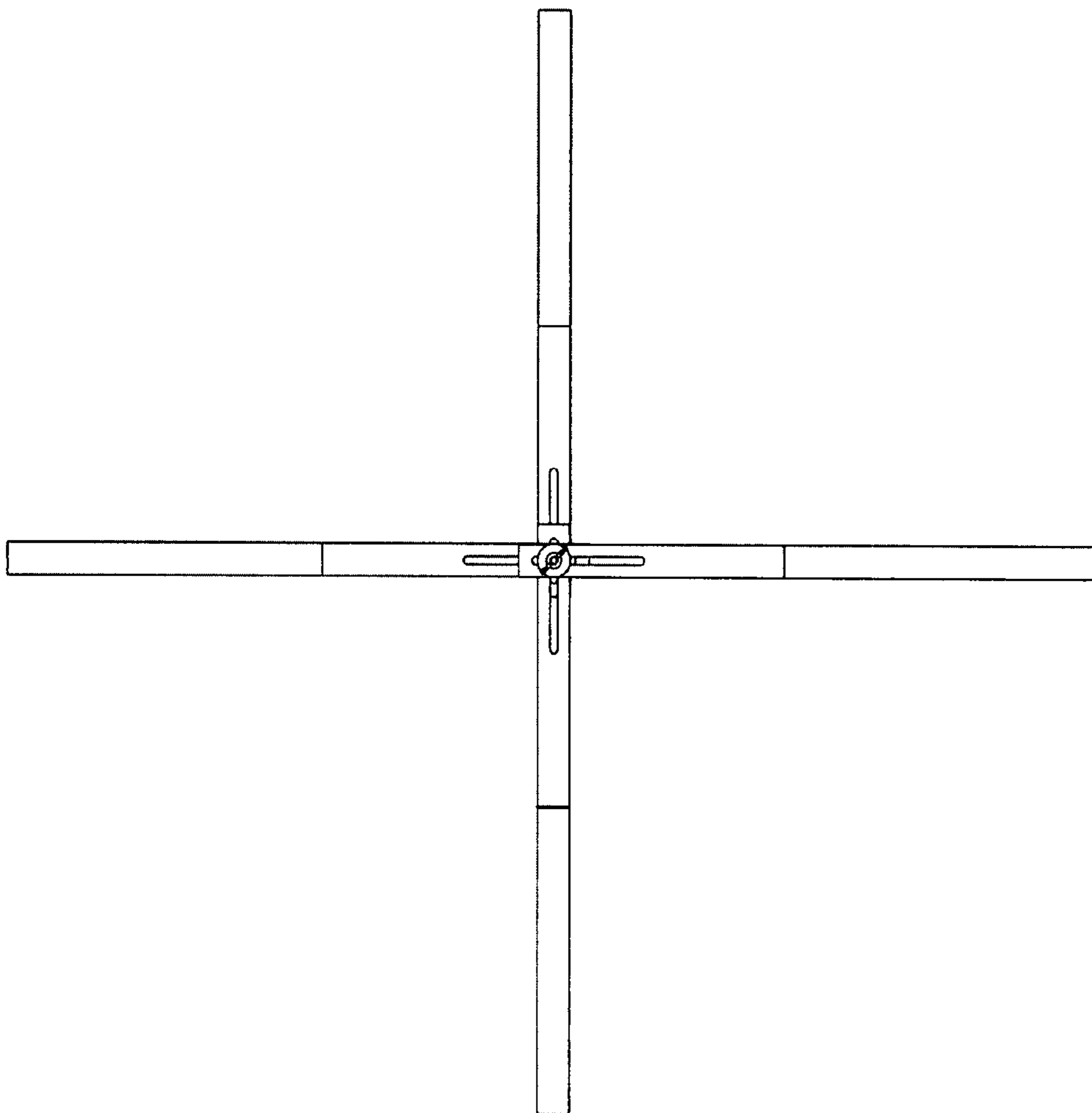


Fig. 6

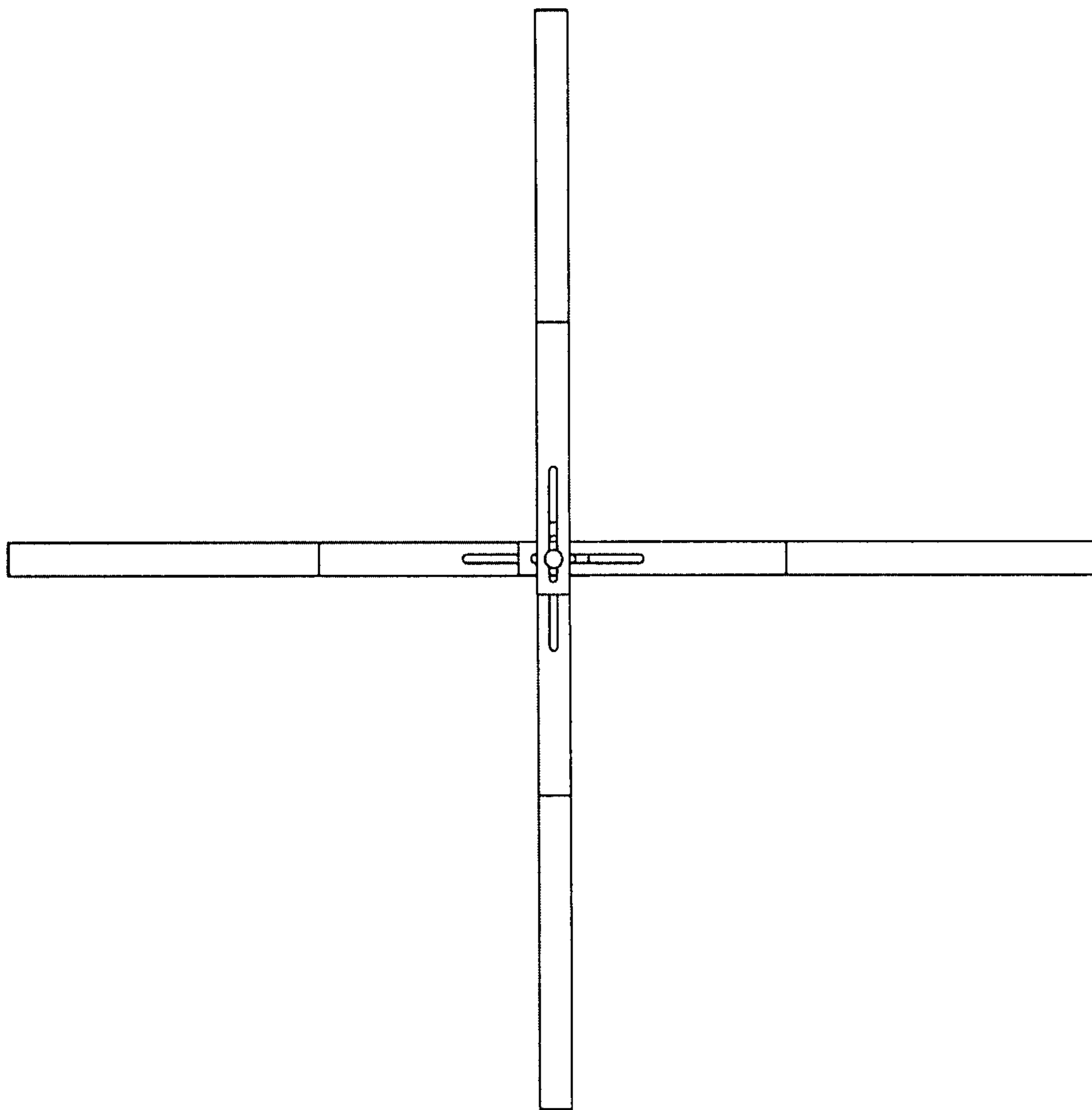


Fig. 7