



US00D575915S

(12) **United States Design Patent**  
**Dreyer**

(10) **Patent No.:** **US D575,915 S**

(45) **Date of Patent:** **\*\* Aug. 26, 2008**

(54) **SWIMMING POOL CLEANER**

D445,225 S \* 7/2001 Schaub ..... D32/15  
D471,330 S \* 3/2003 Campbell ..... D32/15  
D529,669 S \* 10/2006 Blanc-Tailleur ..... D32/1

(75) Inventor: **Pieter Etienne Dreyer**, Edenvale (ZA)

(73) Assignee: **Integrated Pool Products (Pty)**,  
Krugersdrof (ZA)

(\*\*) Term: **14 Years**

(21) Appl. No.: **29/280,397**

(22) Filed: **May 25, 2007**

(30) **Foreign Application Priority Data**

Nov. 28, 2006 (ZA) ..... A2006/01818

(51) **LOC (8) Cl.** ..... **15-05**

(52) **U.S. Cl.** ..... **D32/15**

(58) **Field of Classification Search** ..... D32/1,  
D32/15, 21, 25; 15/1.7; 210/169, 416.2,  
210/460; 55/373; 180/116, 119-120  
See application file for complete search history.

(56) **References Cited**

**U.S. PATENT DOCUMENTS**

5,001,800 A \* 3/1991 Parenti et al. .... 15/1.7  
5,507,058 A \* 4/1996 Minami et al. .... 15/1.7  
D418,640 S \* 1/2000 Veloskey et al. .... D32/1  
D421,512 S \* 3/2000 Campbell ..... D32/1  
D433,545 S \* 11/2000 Hollinger et al. .... D32/1  
D443,737 S \* 6/2001 Rief et al. .... D32/15  
D444,280 S \* 6/2001 Rief et al. .... D34/15

**OTHER PUBLICATIONS**

[http://www.plastixportal.co.za/images/poolmaid\\_turbine\\_cleaner.jpg](http://www.plastixportal.co.za/images/poolmaid_turbine_cleaner.jpg) Apr. 7, 2008.\*

\* cited by examiner

*Primary Examiner*—Louis S Zarfaz

*Assistant Examiner*—Kathleen M Sims

(74) *Attorney, Agent, or Firm*—Marshall, Gerstein & Borun  
LLP

(57) **CLAIM**

The ornamental design for a swimming pool cleaner, as shown and described.

**DESCRIPTION**

FIG. 1 is a perspective view of a swimming pool cleaner showing my new design;

FIG. 2 is a front view thereof;

FIG. 3 is an oblique front view thereof;

FIG. 4 is a side elevational view, the opposite side being a mirror image thereof;

FIG. 5 is a top plan view thereof;

FIG. 6 is a rear view thereof; and,

FIG. 7 is a bottom plan view.

**1 Claim, 7 Drawing Sheets**

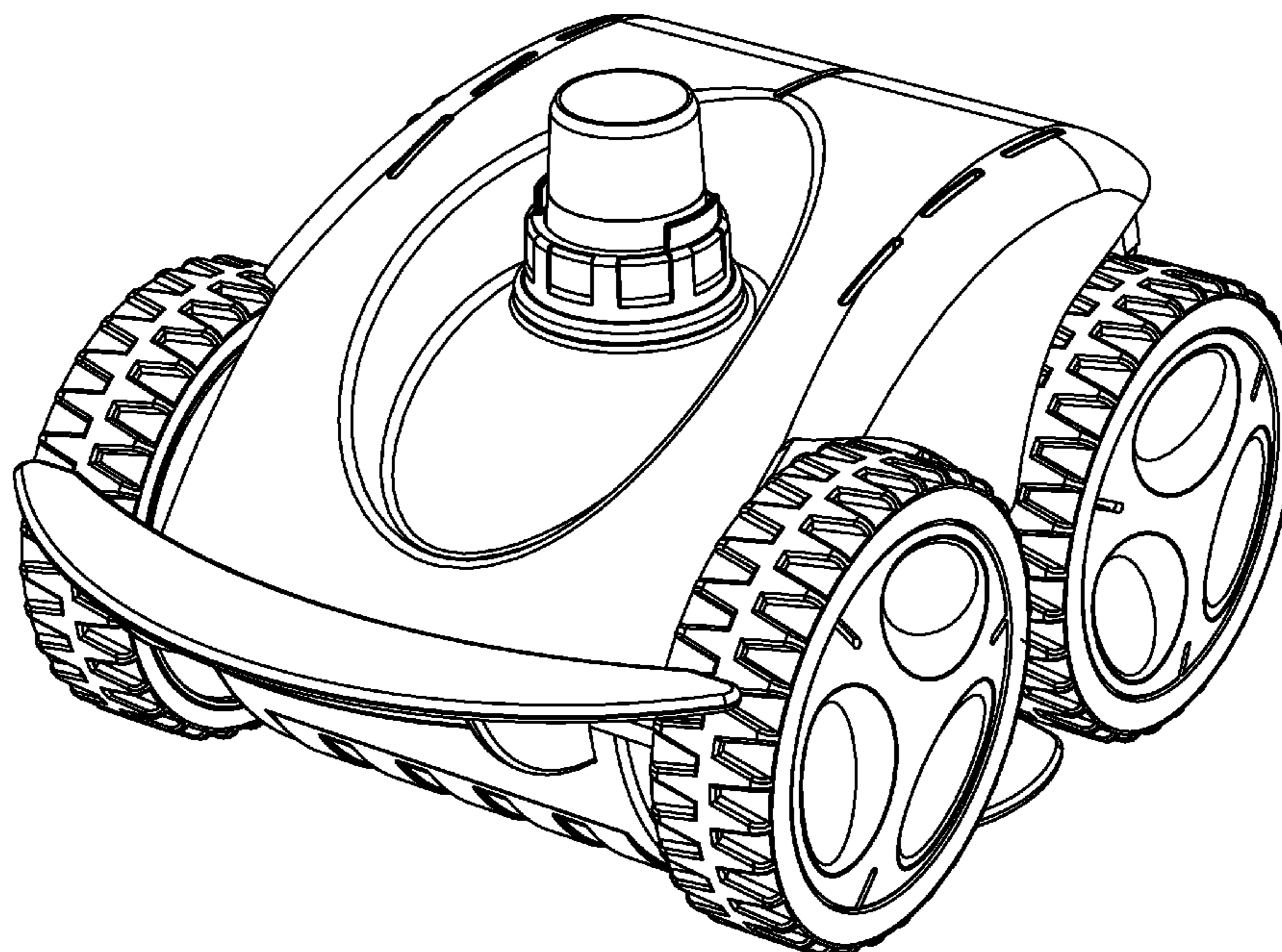


FIG. 1

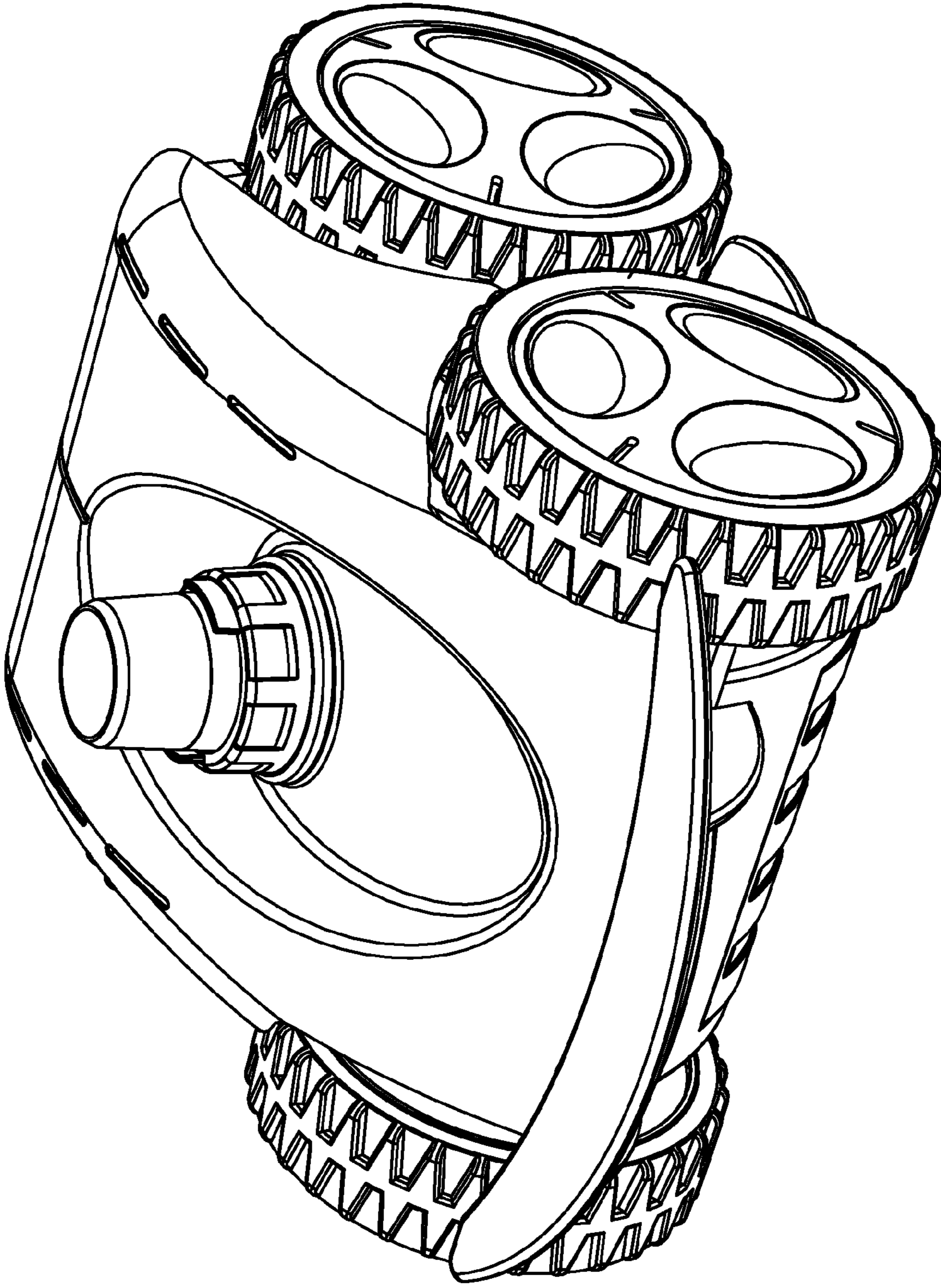


FIG. 2

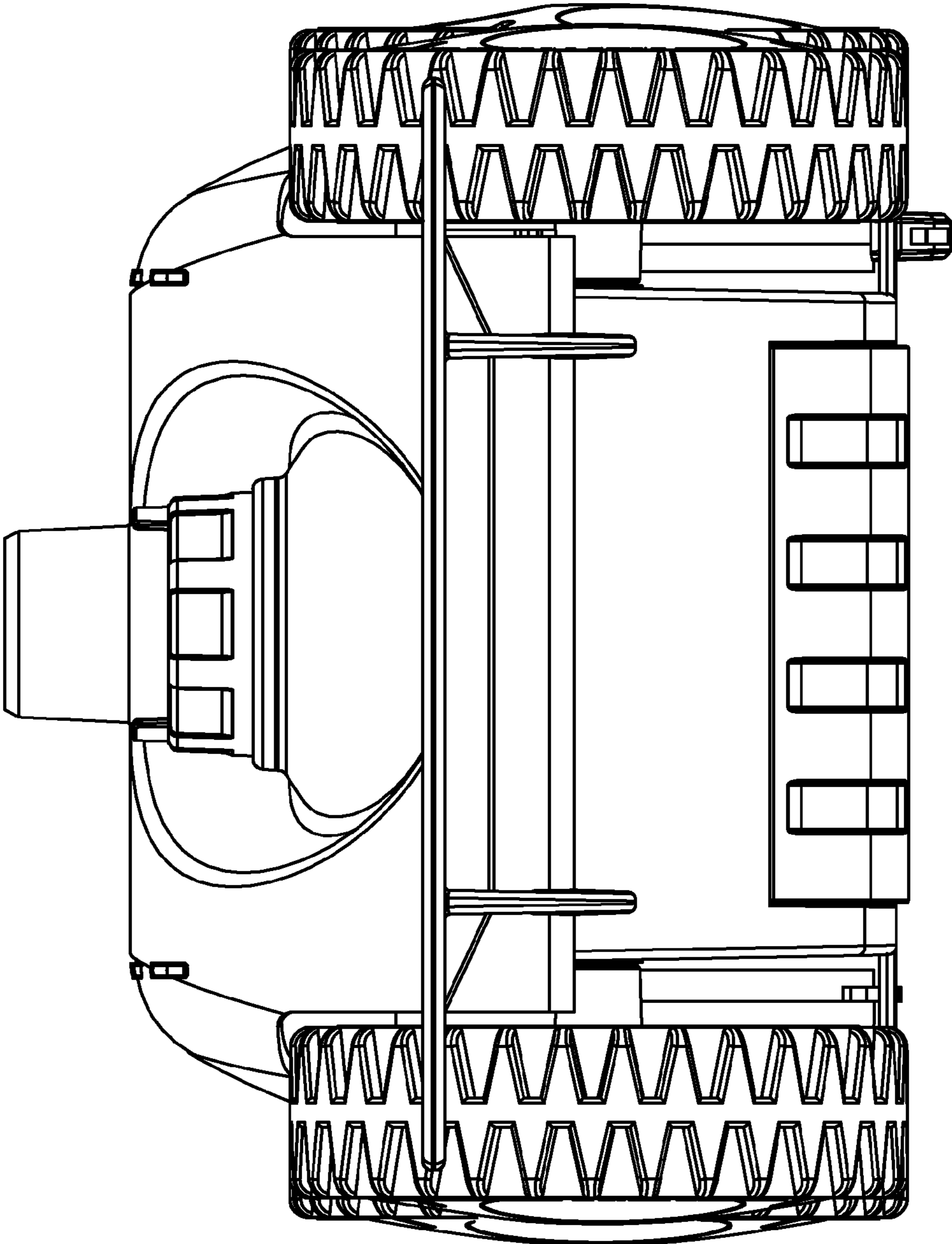


FIG. 3

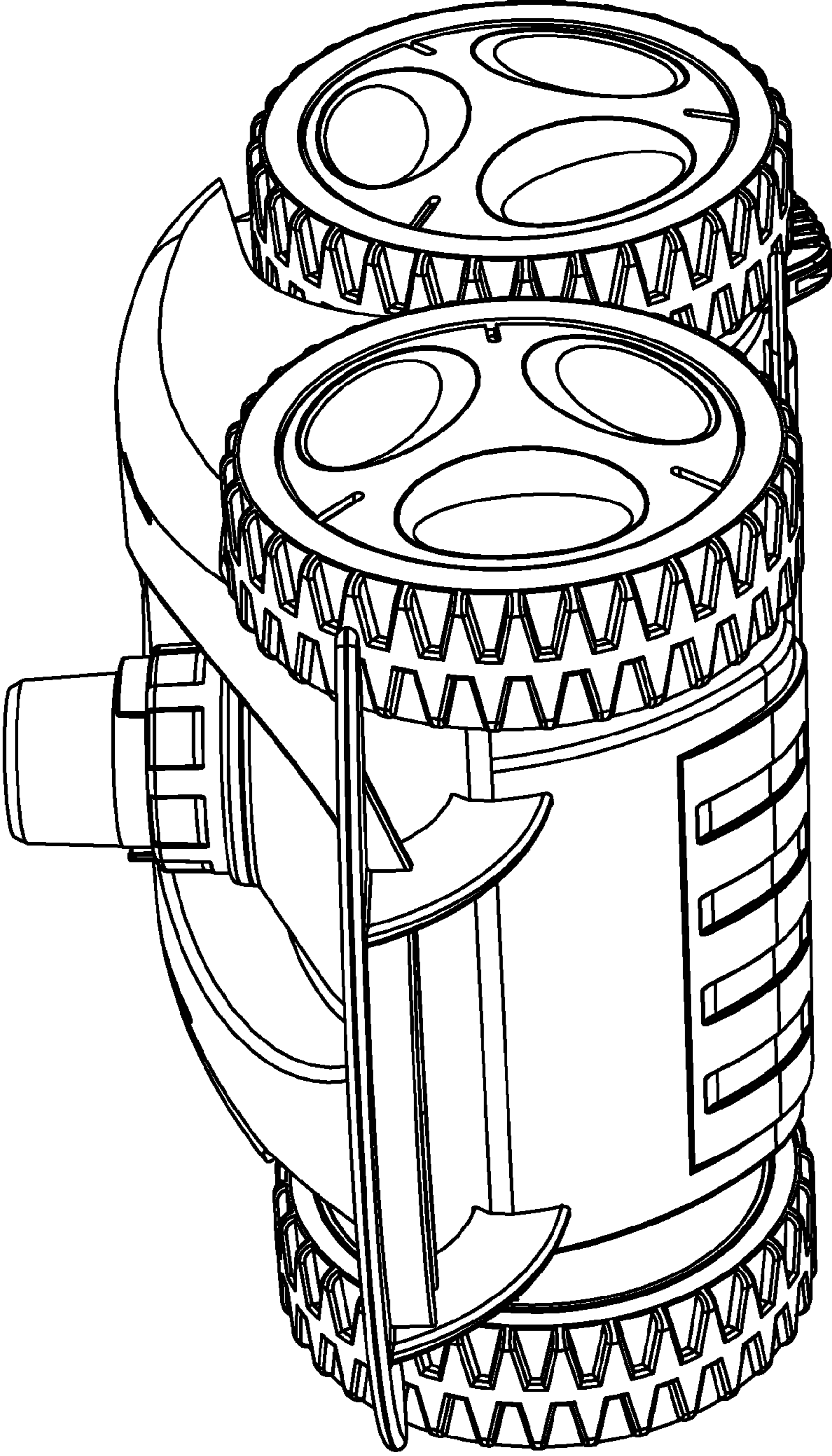


FIG. 4

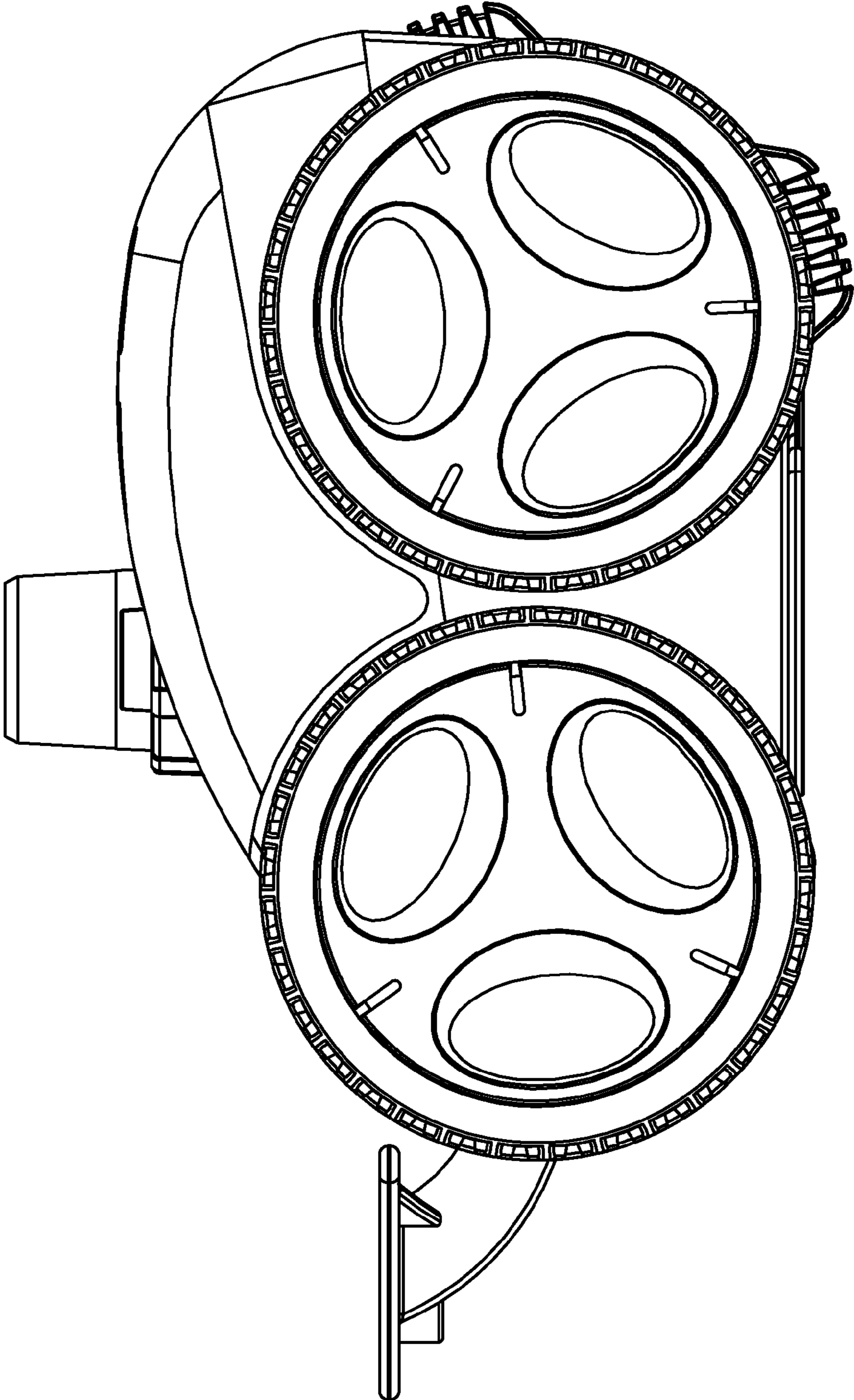


FIG. 5

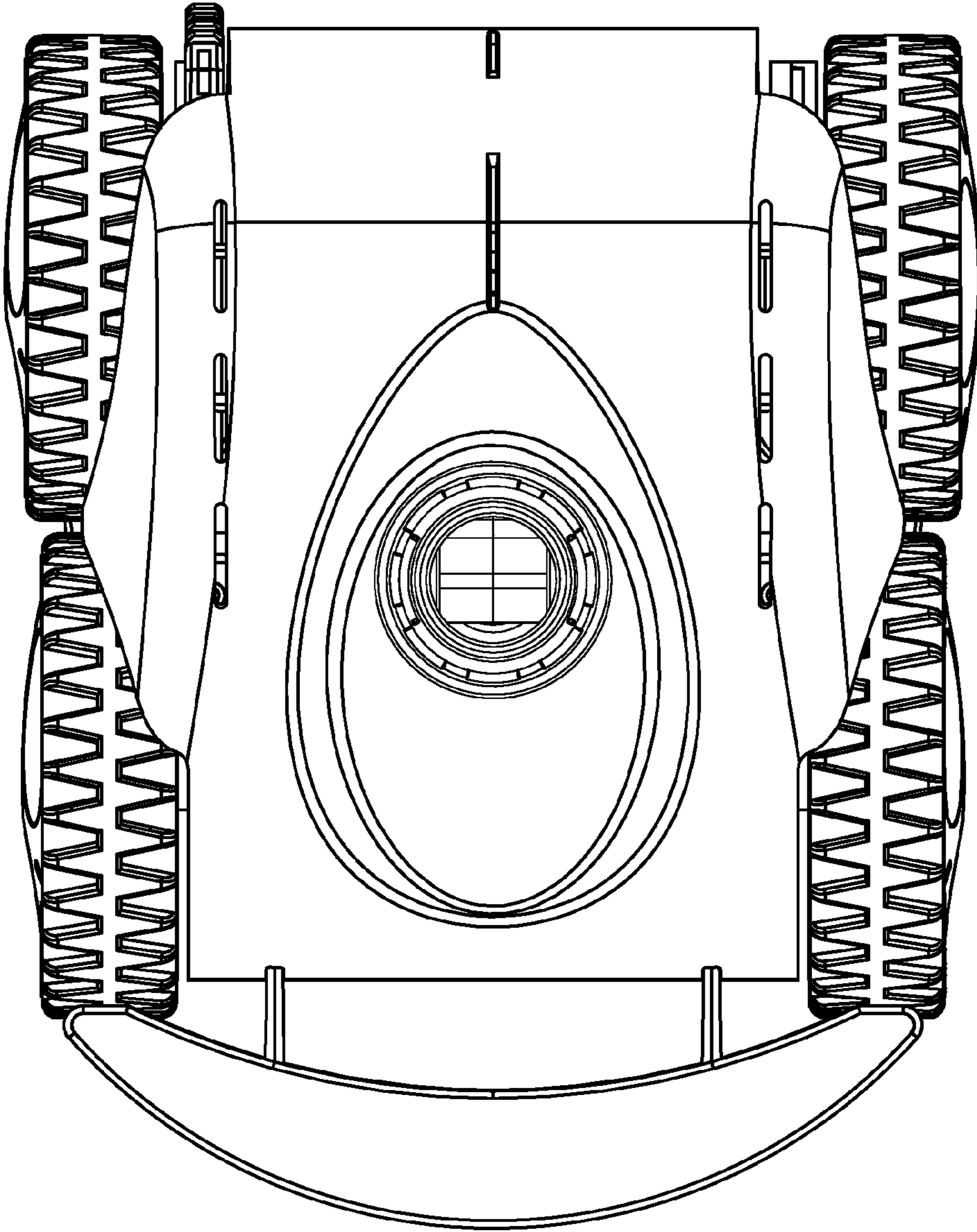


FIG. 6

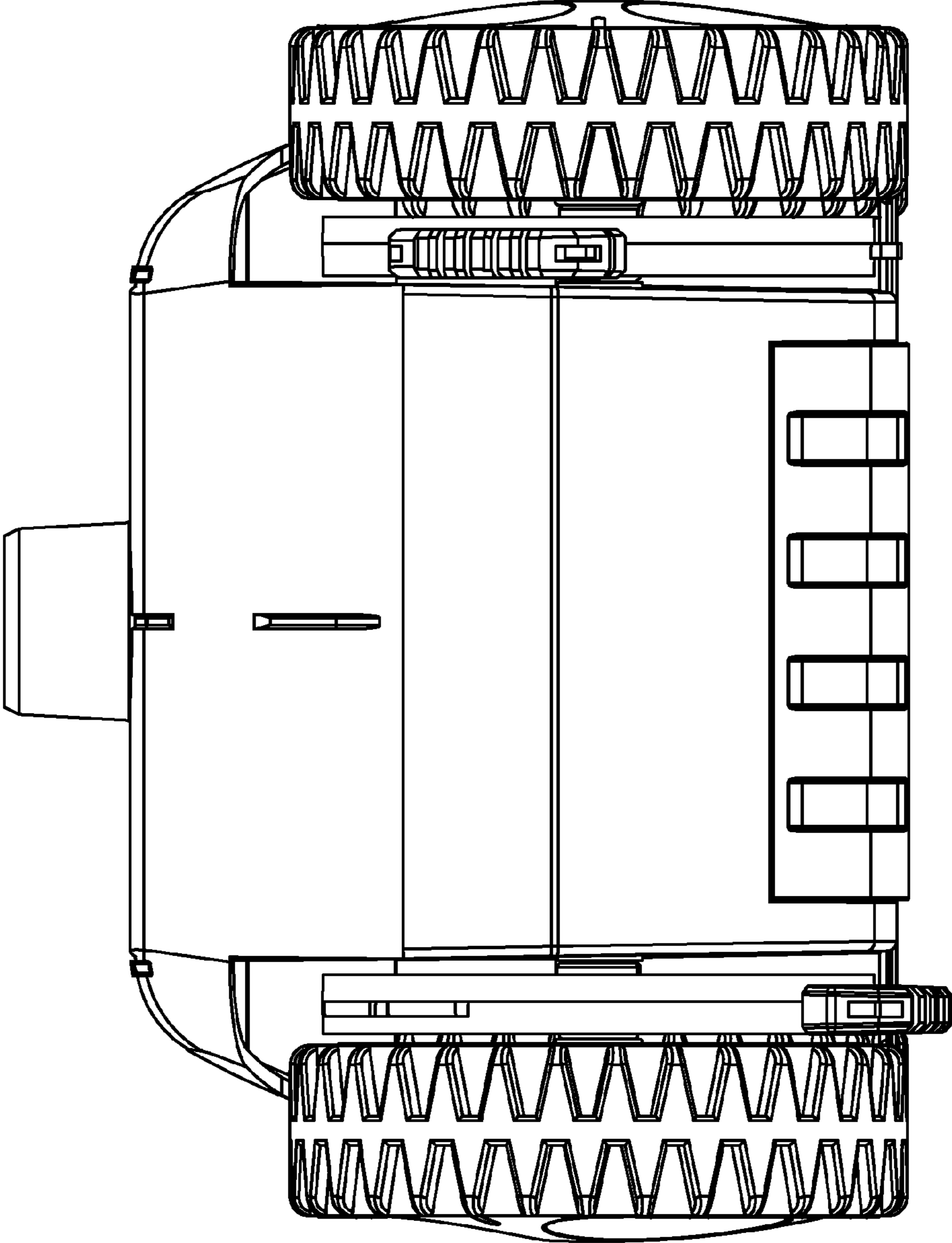


FIG. 7

