



US00D575912S

(12) **United States Design Patent**  
**Mangano**

(10) **Patent No.:** **US D575,912 S**

(45) **Date of Patent:** **\*\* Aug. 26, 2008**

(54) **PORTABLE CLEANER FOR JEWELRY**

(75) Inventor: **Joy Mangano**, St. James, NY (US)

(73) Assignee: **Ingenious Designs LLC**, Edgewood, NY (US)

(\*\*) Term: **14 Years**

(21) Appl. No.: **29/284,331**

(22) Filed: **Sep. 5, 2007**

(51) **LOC (8) Cl.** ..... **15-05**

(52) **U.S. Cl.** ..... **D32/1**

(58) **Field of Classification Search** ..... D32/1;  
134/117, 135, 184; D24/217, 218; 366/127  
See application file for complete search history.

(56) **References Cited**

**U.S. PATENT DOCUMENTS**

3,135,987	A *	6/1964	Huch	.....	15/104.92
3,894,551	A *	7/1975	Stohlman	.....	134/135
D257,486	S *	11/1980	Thomas	.....	D24/218
D261,142	S *	10/1981	Erickson et al.	.....	D7/368
D265,757	S *	8/1982	Thomas et al.	.....	D24/218
D305,261	S *	12/1989	Hobbs	.....	D24/217
5,000,209	A *	3/1991	Mann	.....	134/135
D464,774	S *	10/2002	Kay	.....	D32/1
D482,165	S *	11/2003	Kay	.....	D32/1

2005/0268950 A1\* 12/2005 Glucksman et al. .... 134/135

**OTHER PUBLICATIONS**

[http://www.brookstone.com/bs\\_assets/images/shop/p2/572545\\_p2.jpg](http://www.brookstone.com/bs_assets/images/shop/p2/572545_p2.jpg) Apr. 16, 2008.\*

\* cited by examiner

*Primary Examiner*—Louis S Zarfaz

*Assistant Examiner*—Kathleen M Sims

(74) *Attorney, Agent, or Firm*—Kenyon & Kenyon LLP

(57) **CLAIM**

The ornamental design for a portable cleaner for jewelry, as shown and described.

**DESCRIPTION**

FIG. 1 is a front view of the portable cleaner for jewelry, showing my new design;

FIG. 2 is a right side view thereof;

FIG. 3 is a left side view thereof;

FIG. 4 is a rear view thereof;

FIG. 5 is a top view thereof without the cover;

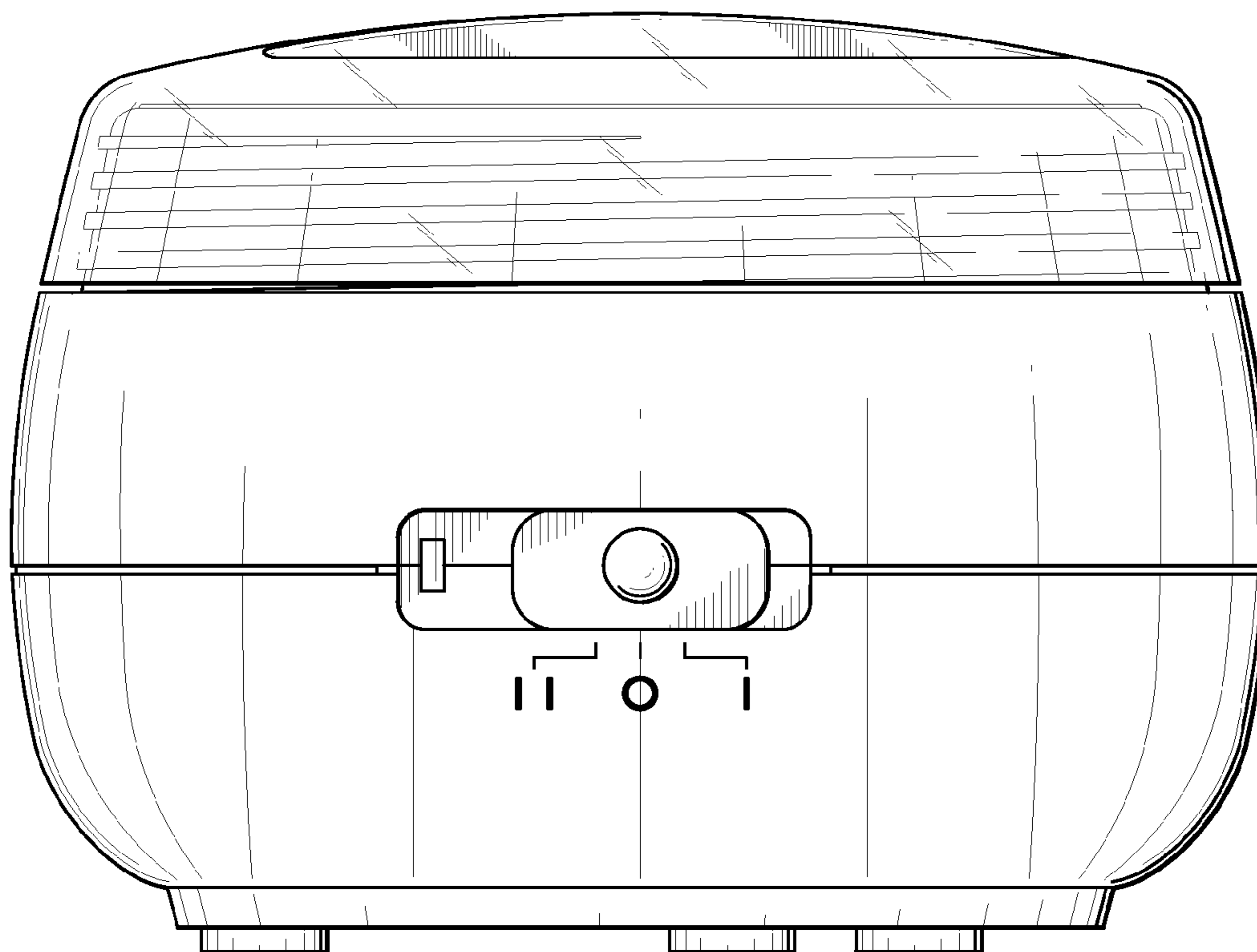
FIG. 6 is a top view thereof with the cover;

FIG. 7 is a perspective view thereof without the insert;

FIG. 8 is a perspective view thereof with the insert; and,

FIG. 9 is a perspective view thereof with the insert and cover.

**1 Claim, 9 Drawing Sheets**



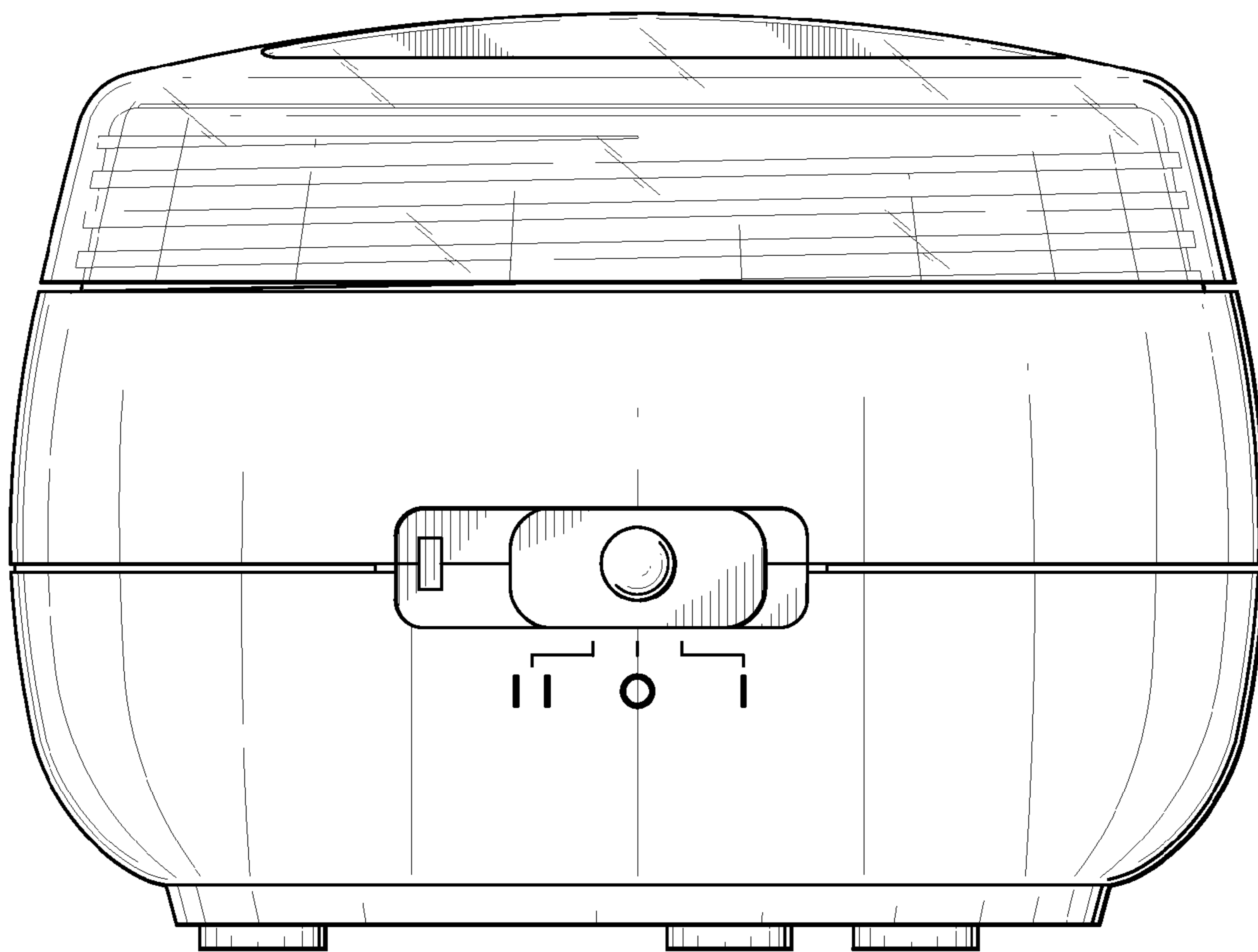


FIG. 1

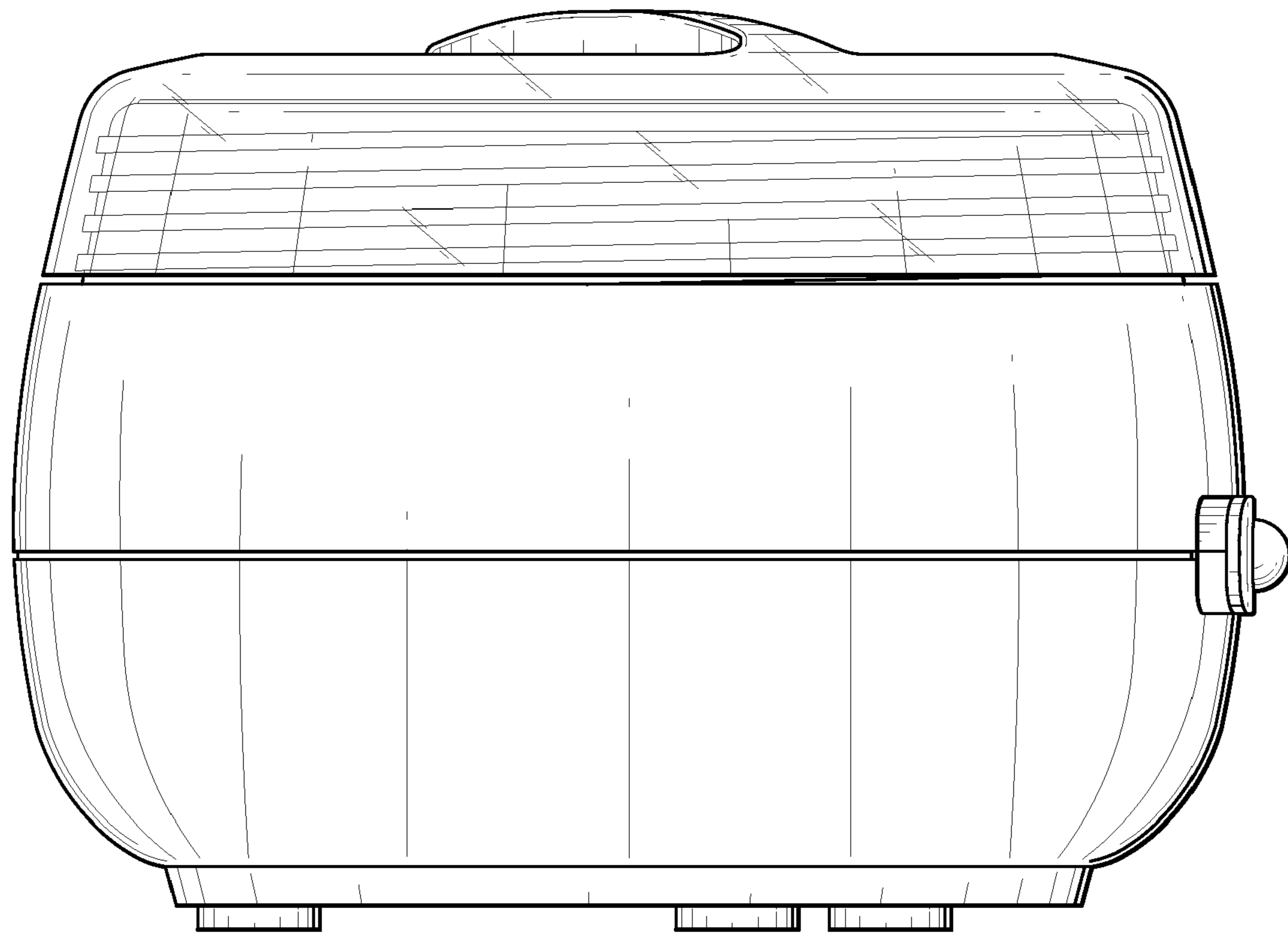


FIG.2

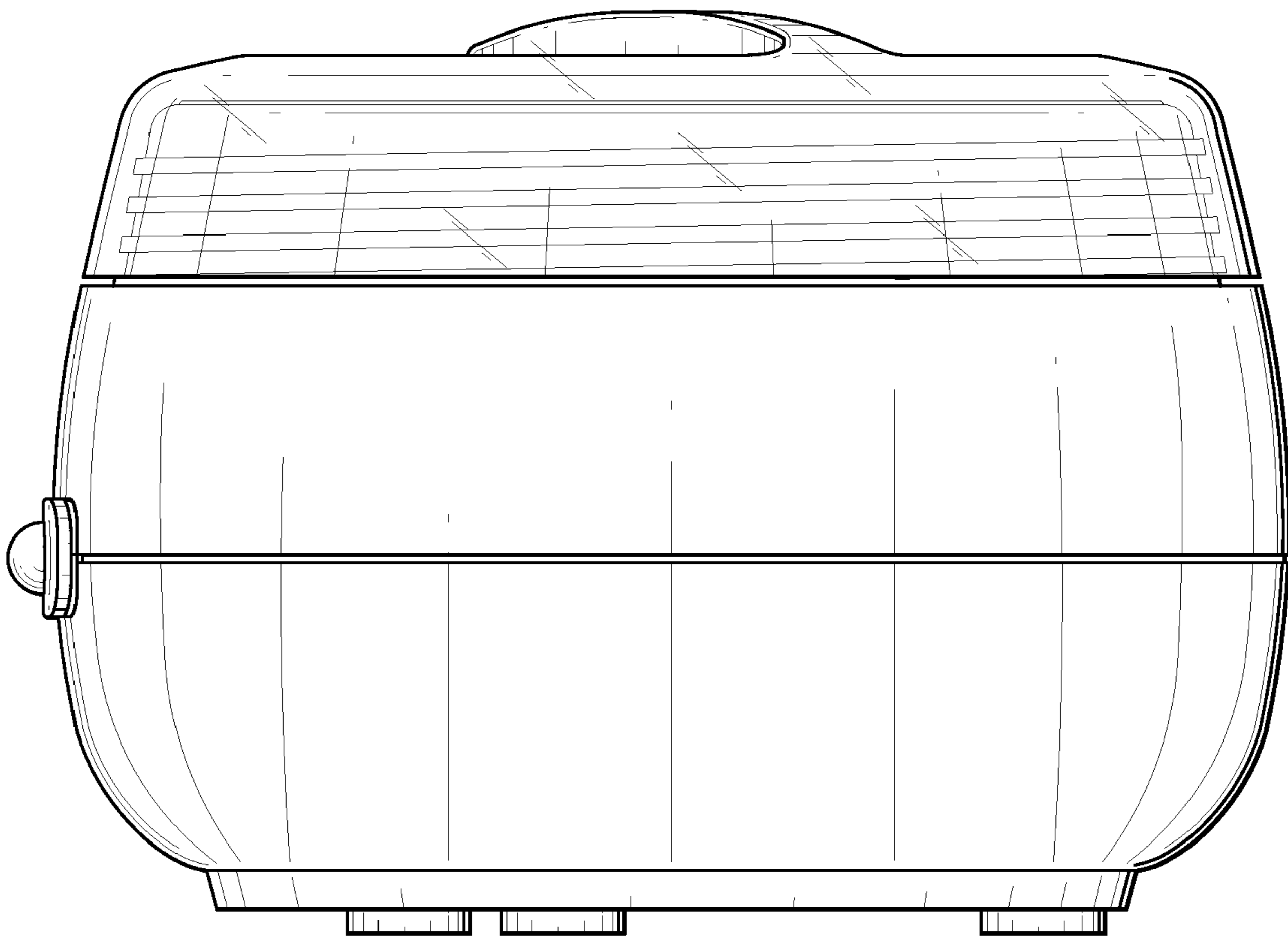


FIG. 3

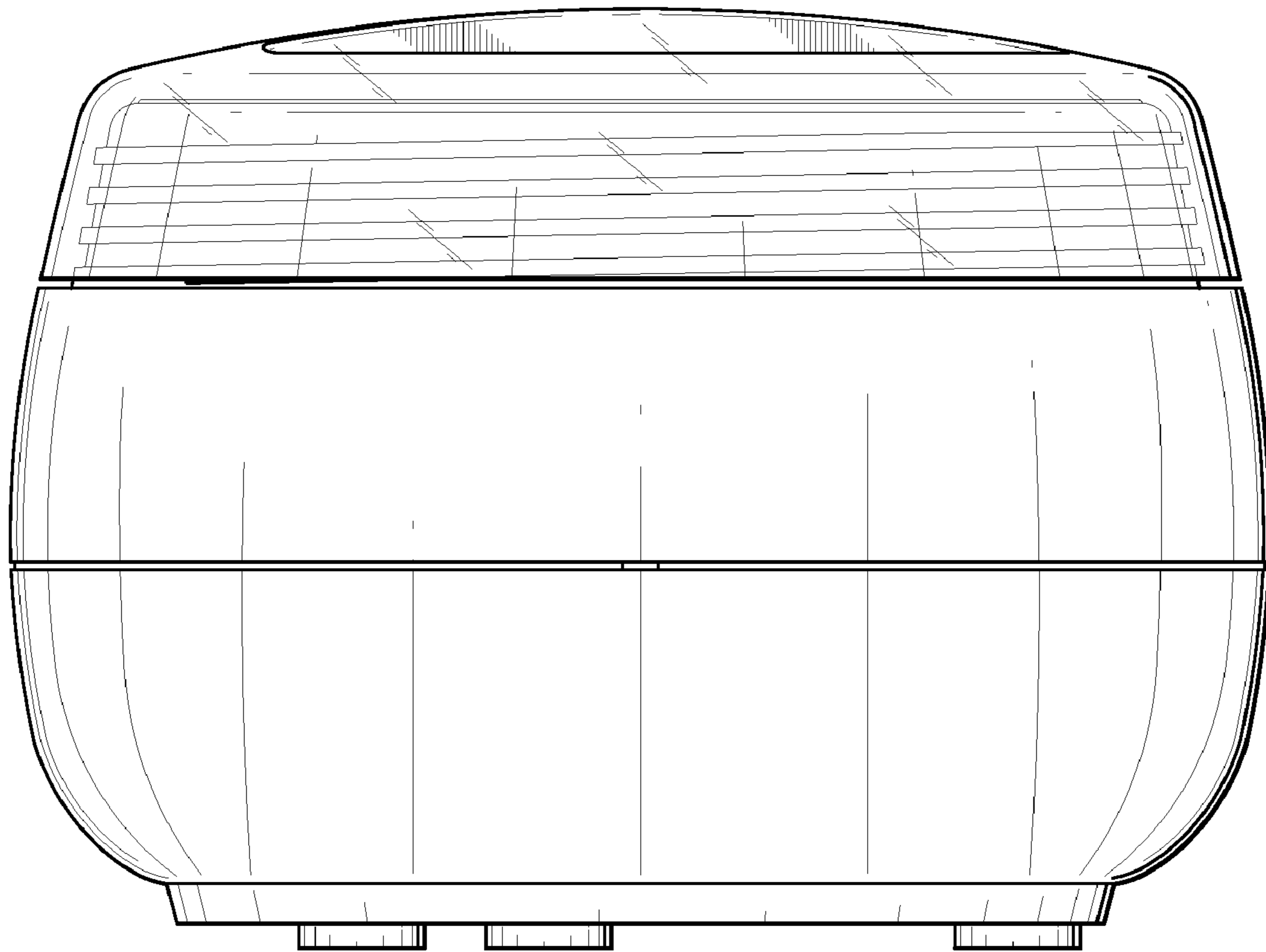


FIG.4

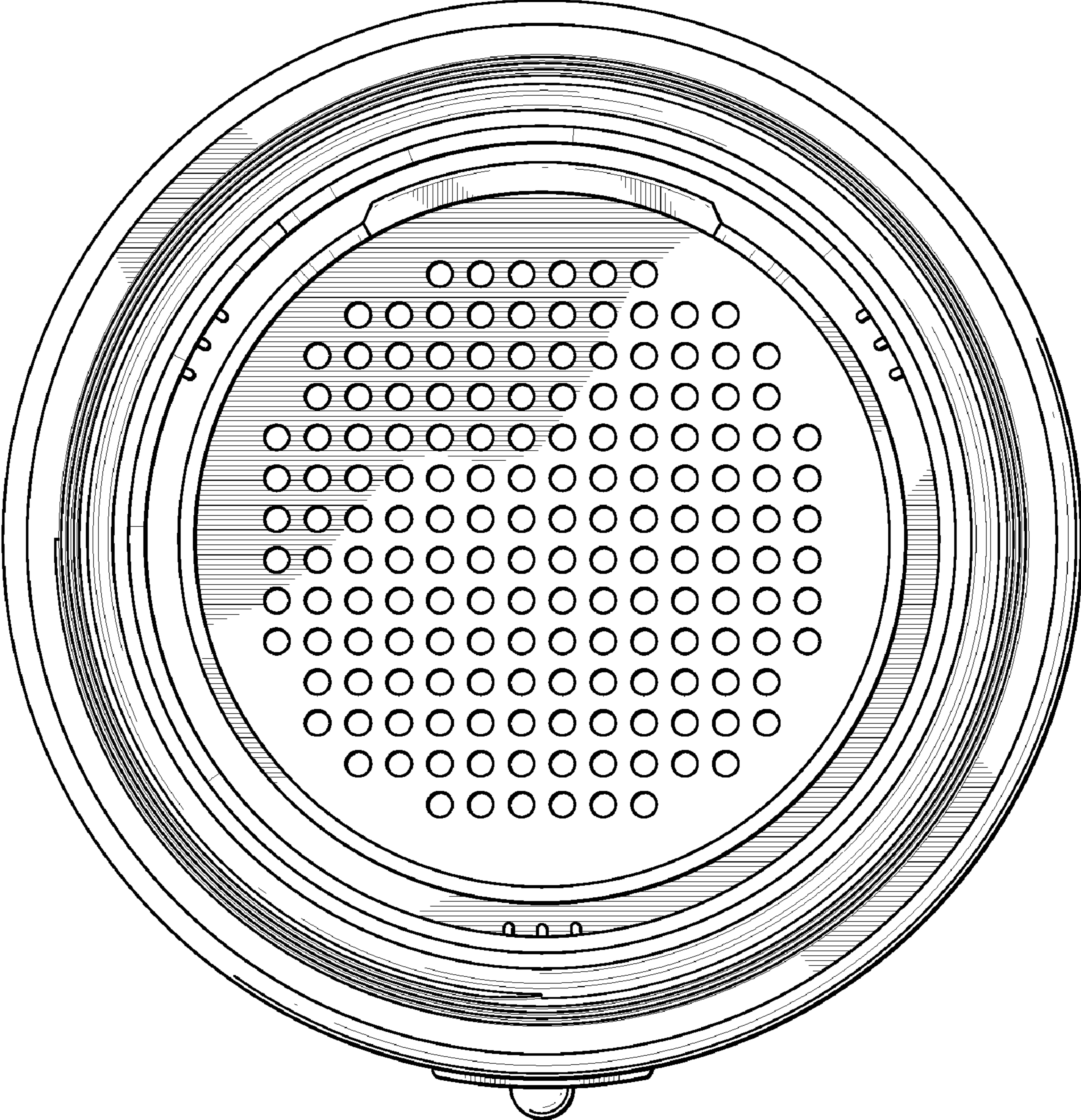


FIG.5

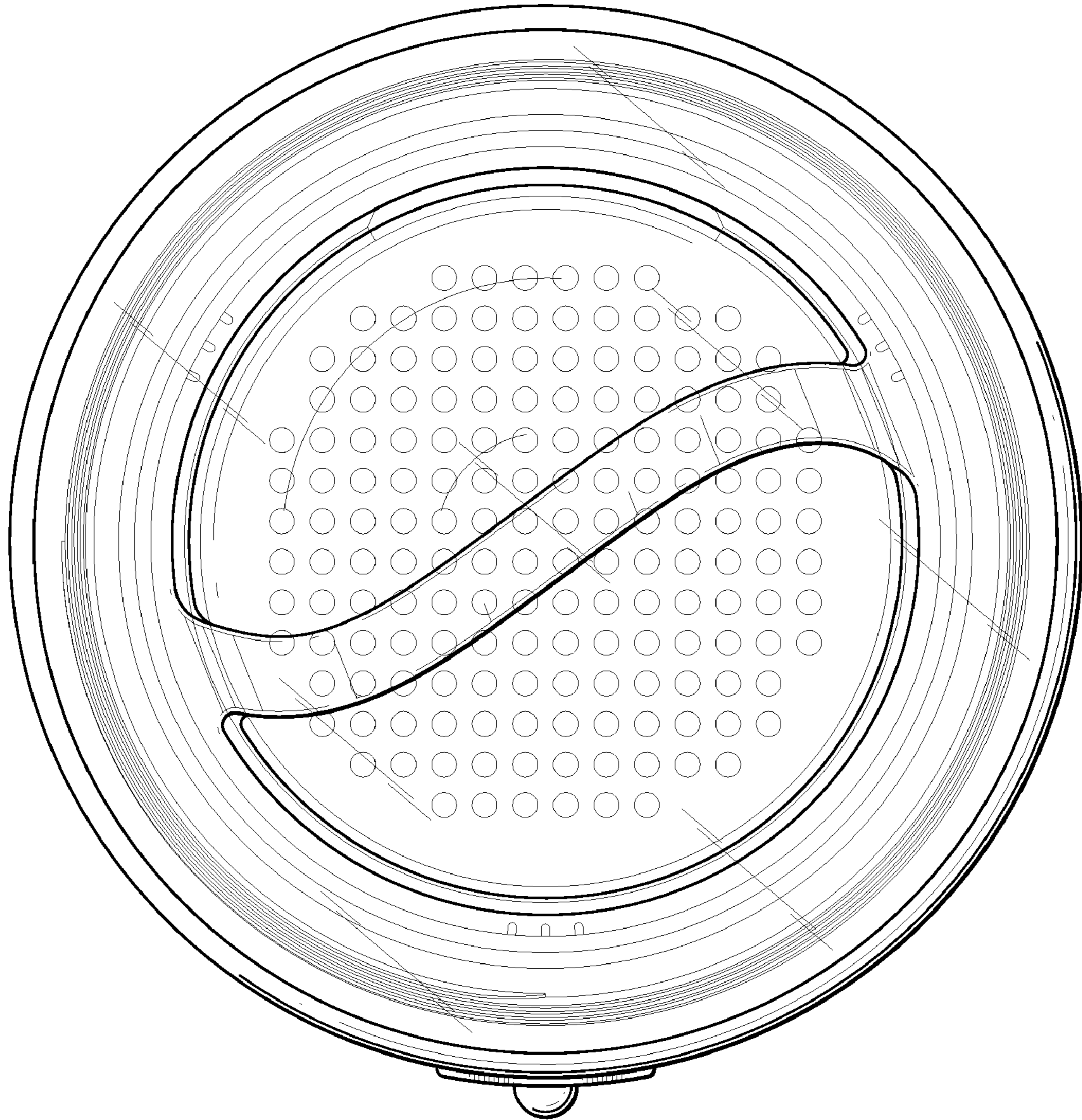


FIG.6

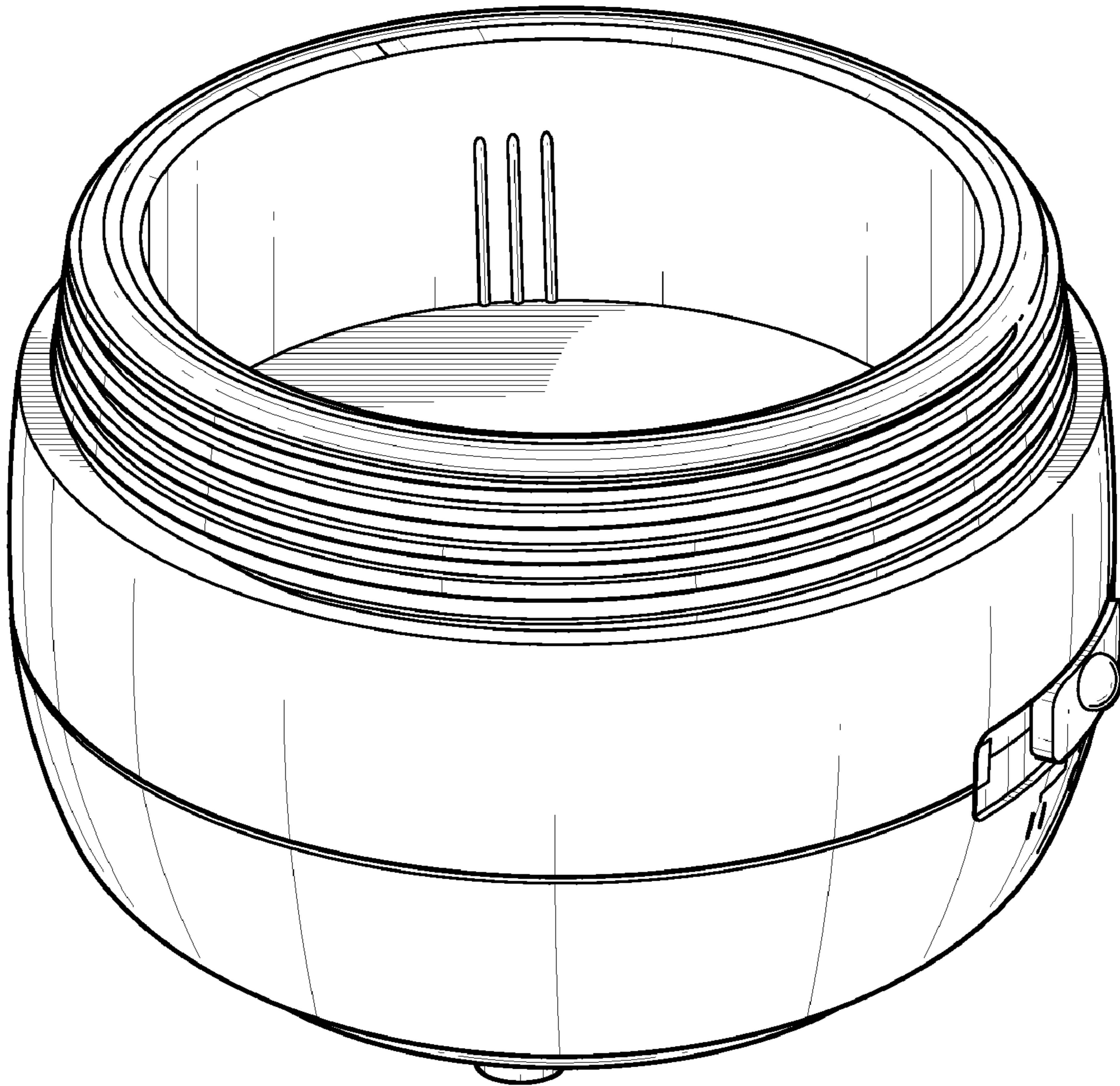


FIG.7



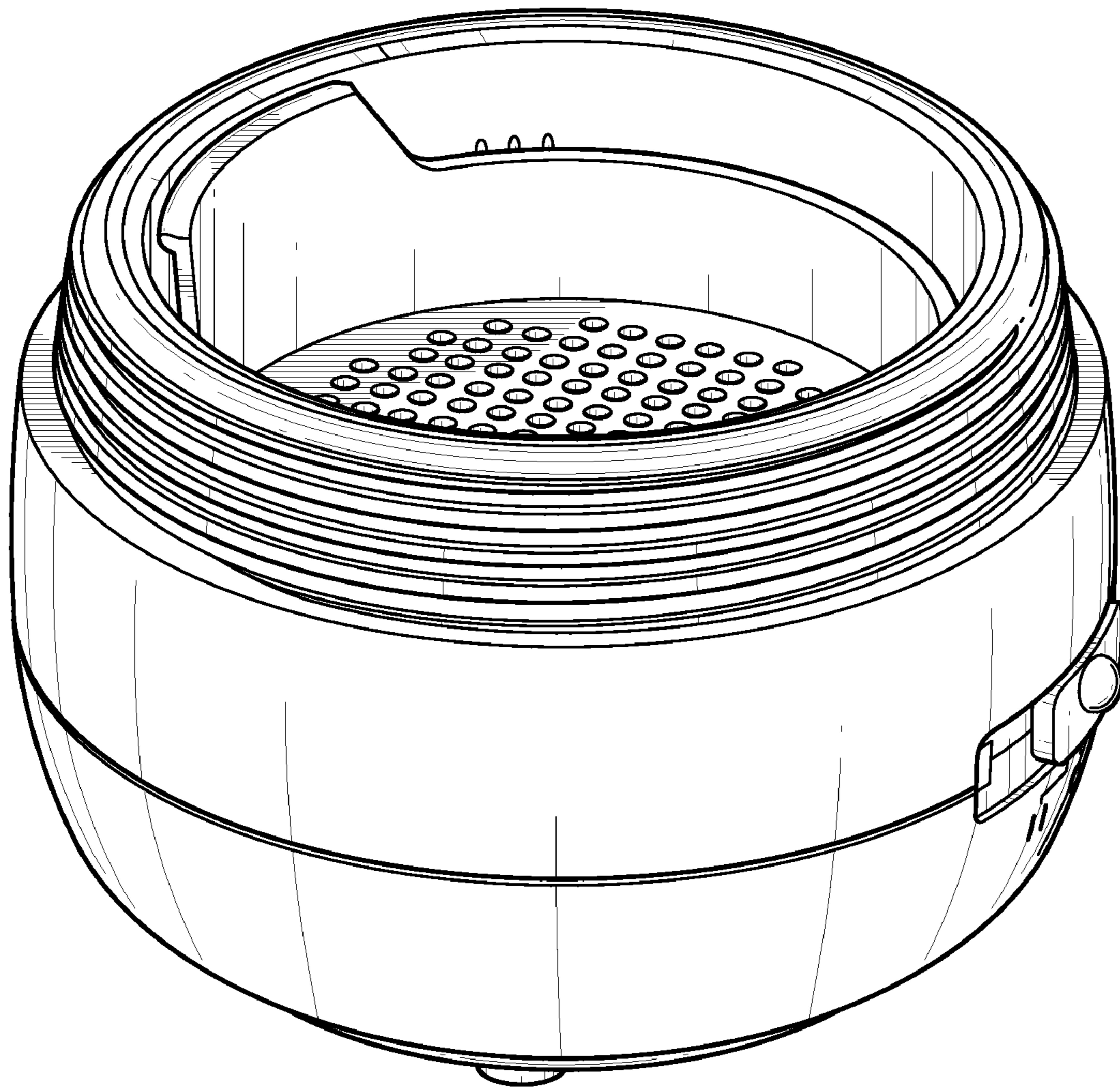


FIG. 8

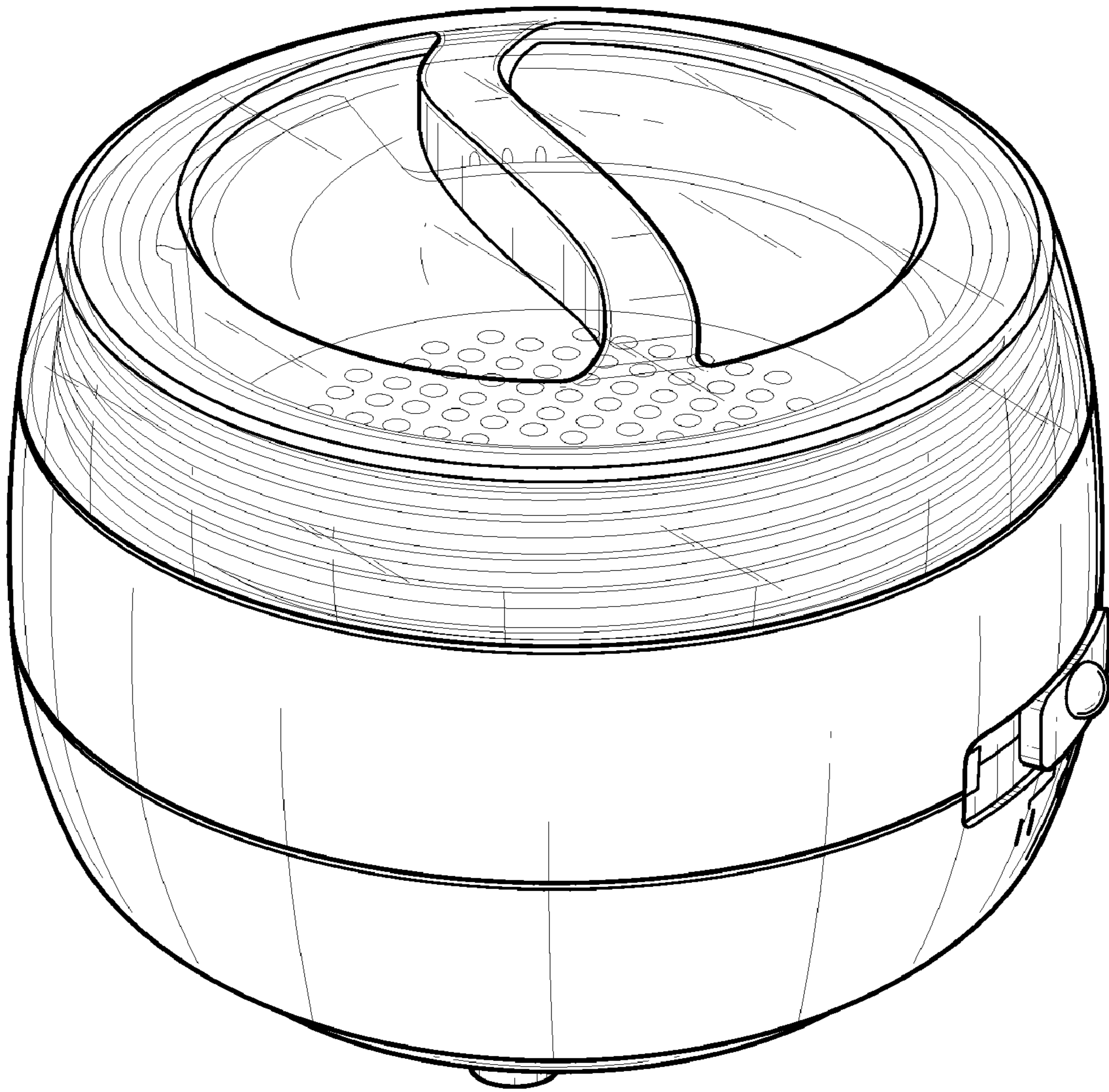


FIG. 9