

US00D575902S

(12) **United States Design Patent**
Ricereto

(10) **Patent No.:** **US D575,902 S**

(45) **Date of Patent:** **** Aug. 26, 2008**

(54) **FIXTURE ELEMENT**

D488,578 S * 4/2004 O'Tierney D26/81

(75) Inventor: **Michael H. Ricereto**, Baltimore, MD
(US)

(73) Assignee: **Kohler Co.**, Kohler, WI (US)

(**) Term: **14 Years**

(21) Appl. No.: **29/237,553**

(22) Filed: **Sep. 1, 2005**

(51) **LOC (8) Cl.** **26-99**

(52) **U.S. Cl.** **D26/138**

(58) **Field of Classification Search** D26/153,
D26/81, 155, 86, 134, 92, 87, 84, 80, 72,
D26/125, 152, 142, 68, 128, 138, 154, 24,
D26/67, 113, 143, 147; 52/295; D8/379;
248/126; 362/257, 382, 395, 410, 412, 414,
362/431, 432, 433, 434, 349

See application file for complete search history.

(56) **References Cited**

U.S. PATENT DOCUMENTS

- D26,902 S * 4/1897 Chesson D6/491
- D66,561 S * 2/1925 Fried D26/92
- 1,882,228 A * 10/1932 Ne Page 52/295
- 3,239,958 A * 3/1966 Daum 40/606.03
- D316,457 S * 4/1991 De'Armond D26/67
- D367,725 S * 3/1996 Segill et al. D26/87
- D380,851 S * 7/1997 Dolan D26/92
- D387,464 S * 12/1997 Hoffman D26/87
- D423,708 S * 4/2000 Giese et al. D26/68
- D439,362 S * 3/2001 Berry D26/87
- D441,486 S * 5/2001 Hsing D26/87
- D444,255 S * 6/2001 Bucher et al. D26/80
- D447,268 S * 8/2001 Hsu D26/86
- D459,524 S * 6/2002 Dolan D26/86
- D461,582 S * 8/2002 Hsu D26/90
- D463,063 S * 9/2002 Dolan D26/155
- D467,380 S * 12/2002 Dolan D26/92

OTHER PUBLICATIONS

Kohler catalog p. 5.2, Bathroom Accessories, Mirrored Cabinets & Lighting, Accent Your Bath and Powder Room.
Website page for www.Lamps-Lighting.com, Murray Feiss MFI-VS89010RB Oil Rubbed Bronze White Opal etched Kinsale, date printed Aug. 1, 2005.

* cited by examiner

Primary Examiner—Freda S. Nunn

Assistant Examiner—Kevin K Rudzinski

(74) *Attorney, Agent, or Firm*—Quarles & Brady LLP

(57) **CLAIM**

The ornamental design for a fixture element, as shown and described.

DESCRIPTION

In a preferred embodiment, the nature of this product is a fixture element in the form of a shade fitter for a lighted wall sconce as well as single light wall sconce and double light wall sconce.

FIG. 1 is a left, top, front perspective view of a fixture element according to my new design;

FIG. 2 is a front elevational view thereof;

FIG. 3 is a left side elevational view thereof, the right side elevational view thereof being a mirror image of the left side shown;

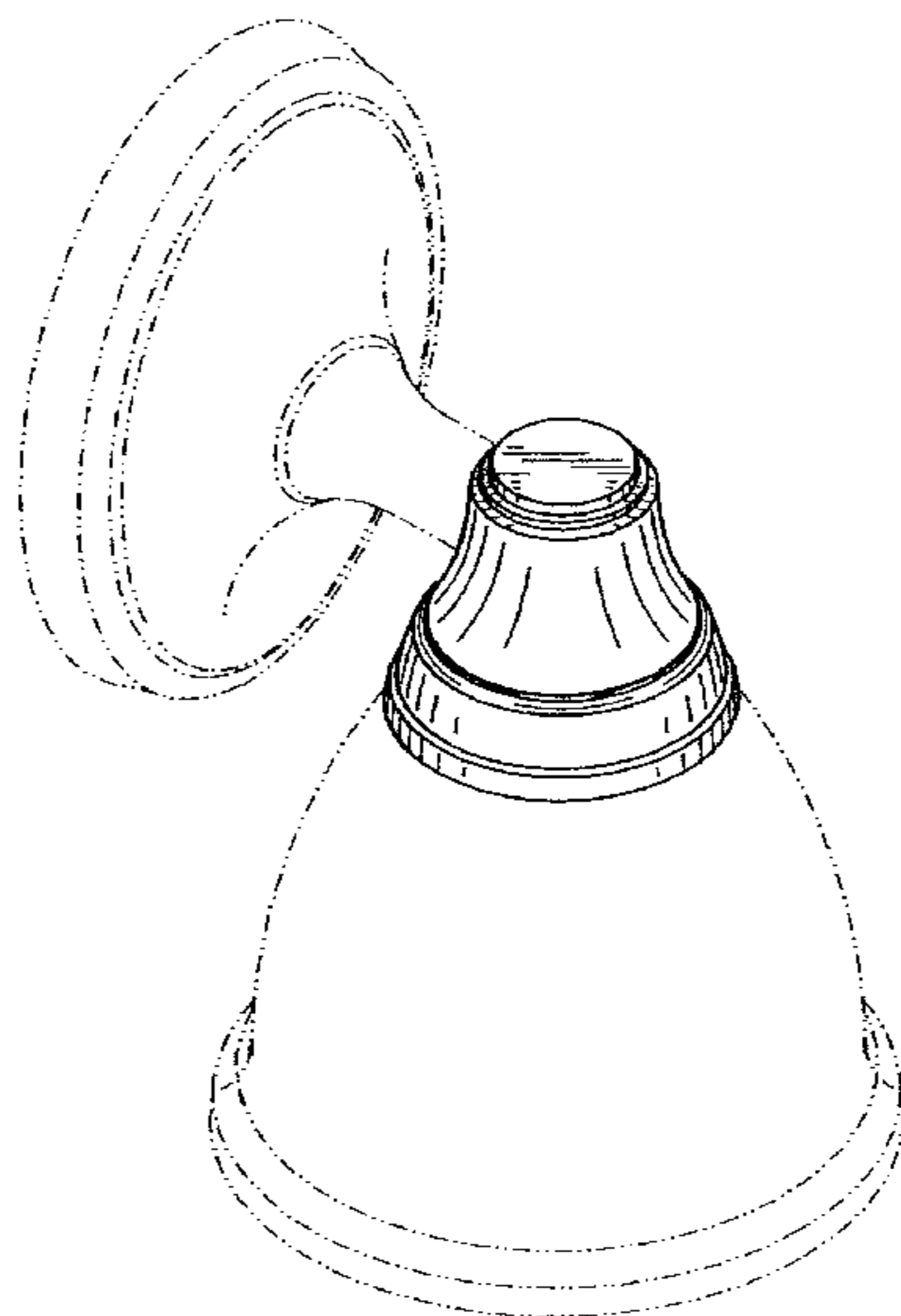
FIG. 4 is a top plan view thereof;

FIG. 5 is a bottom plan view thereof; and,

FIG. 6 is a rear elevational view thereof.

The broken line representations of escutcheon and mount environment in FIGS. 1–6, shade environment in FIGS. 1–4 and 6, underside structure in FIG. 5 are for the purpose of illustration only, and form no part of the claimed design.

1 Claim, 3 Drawing Sheets



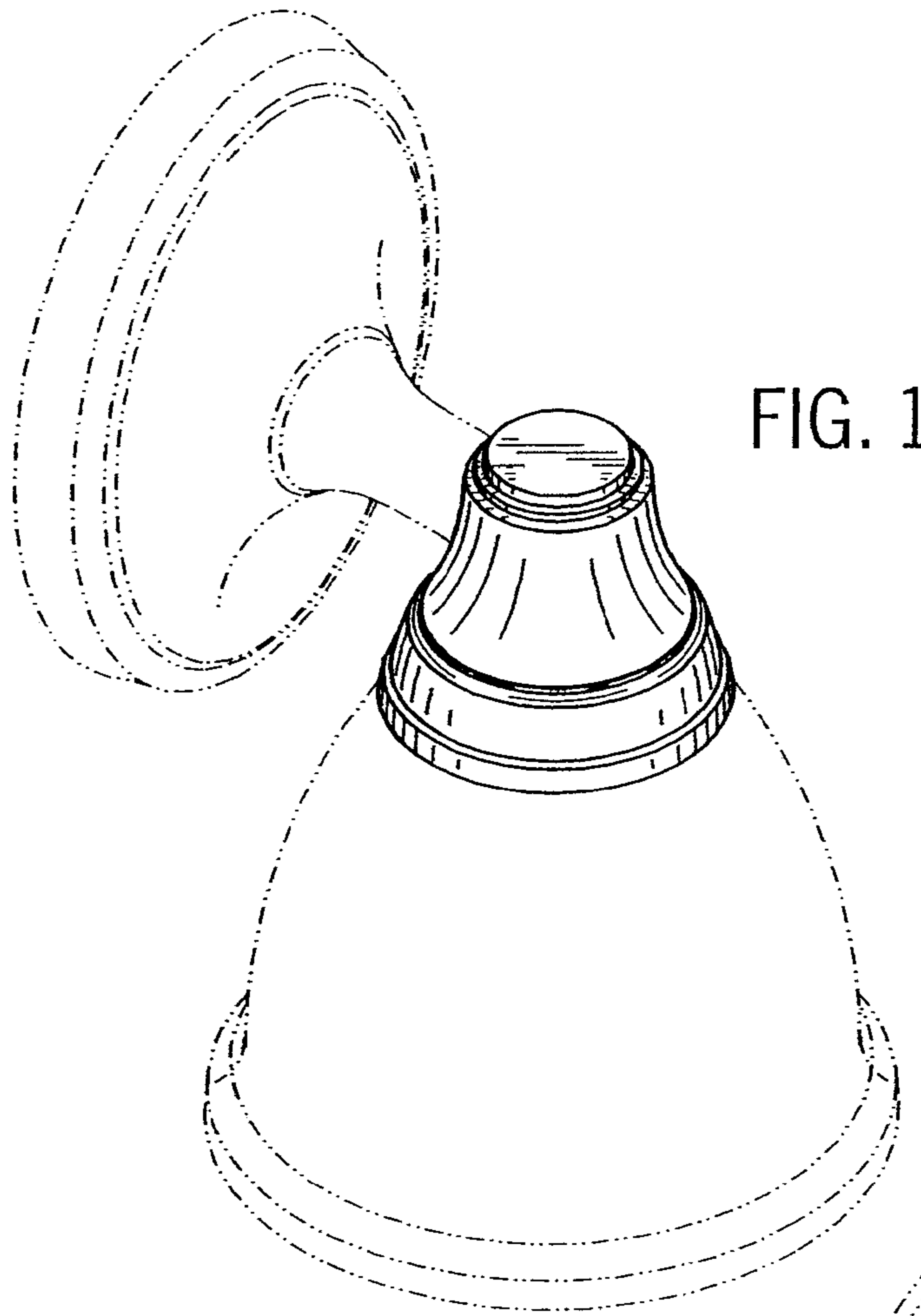
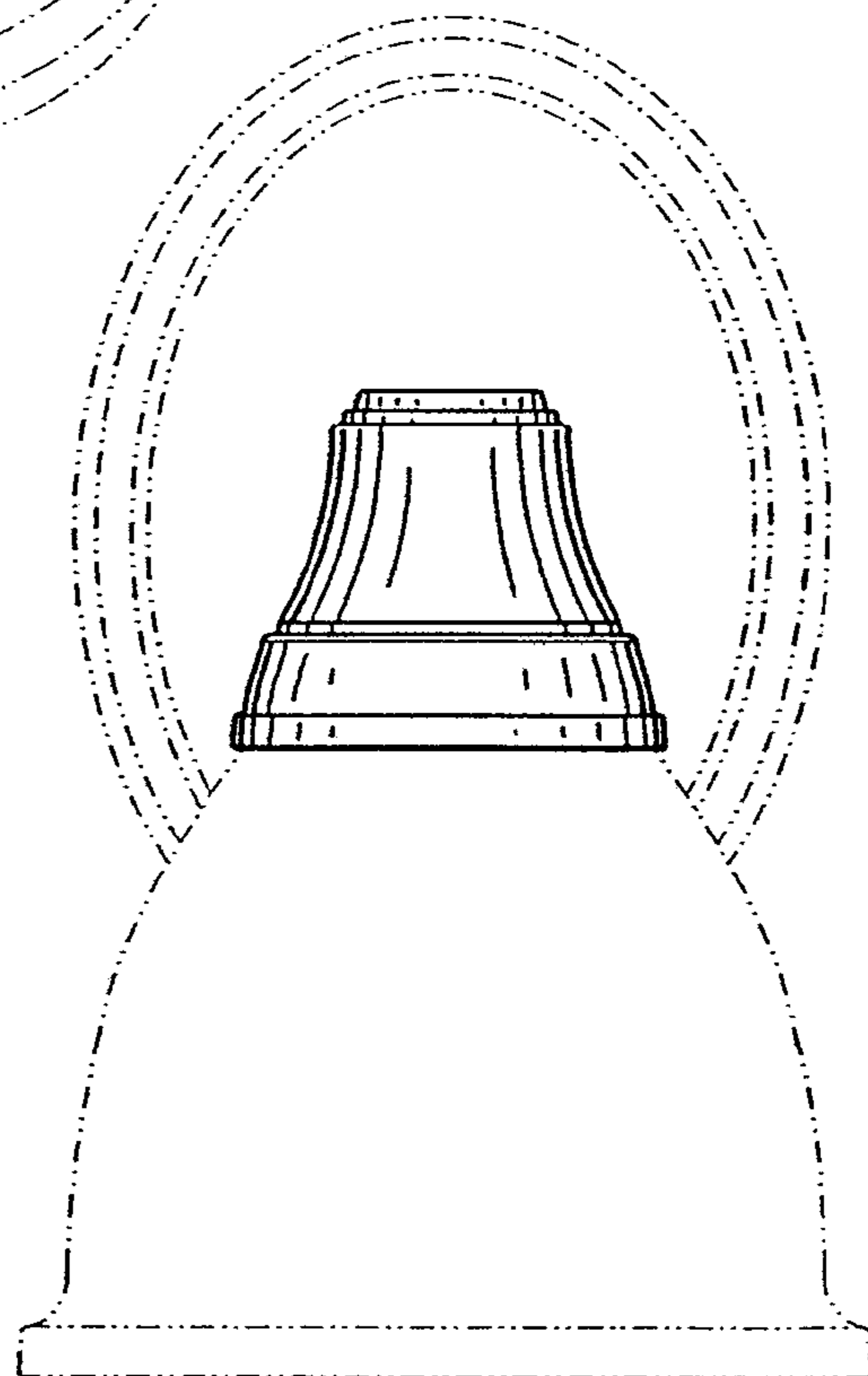


FIG. 1

FIG. 2



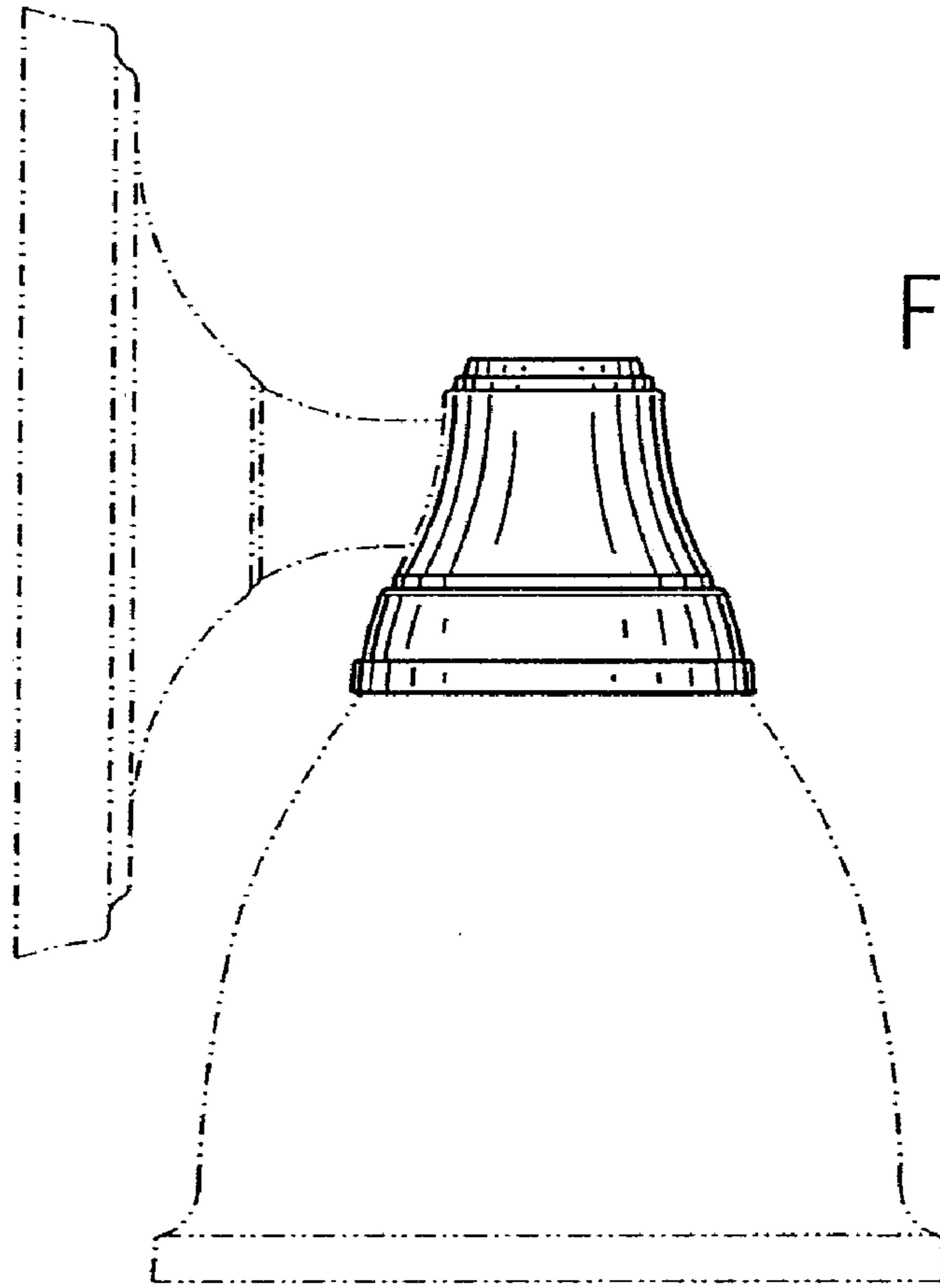


FIG. 3

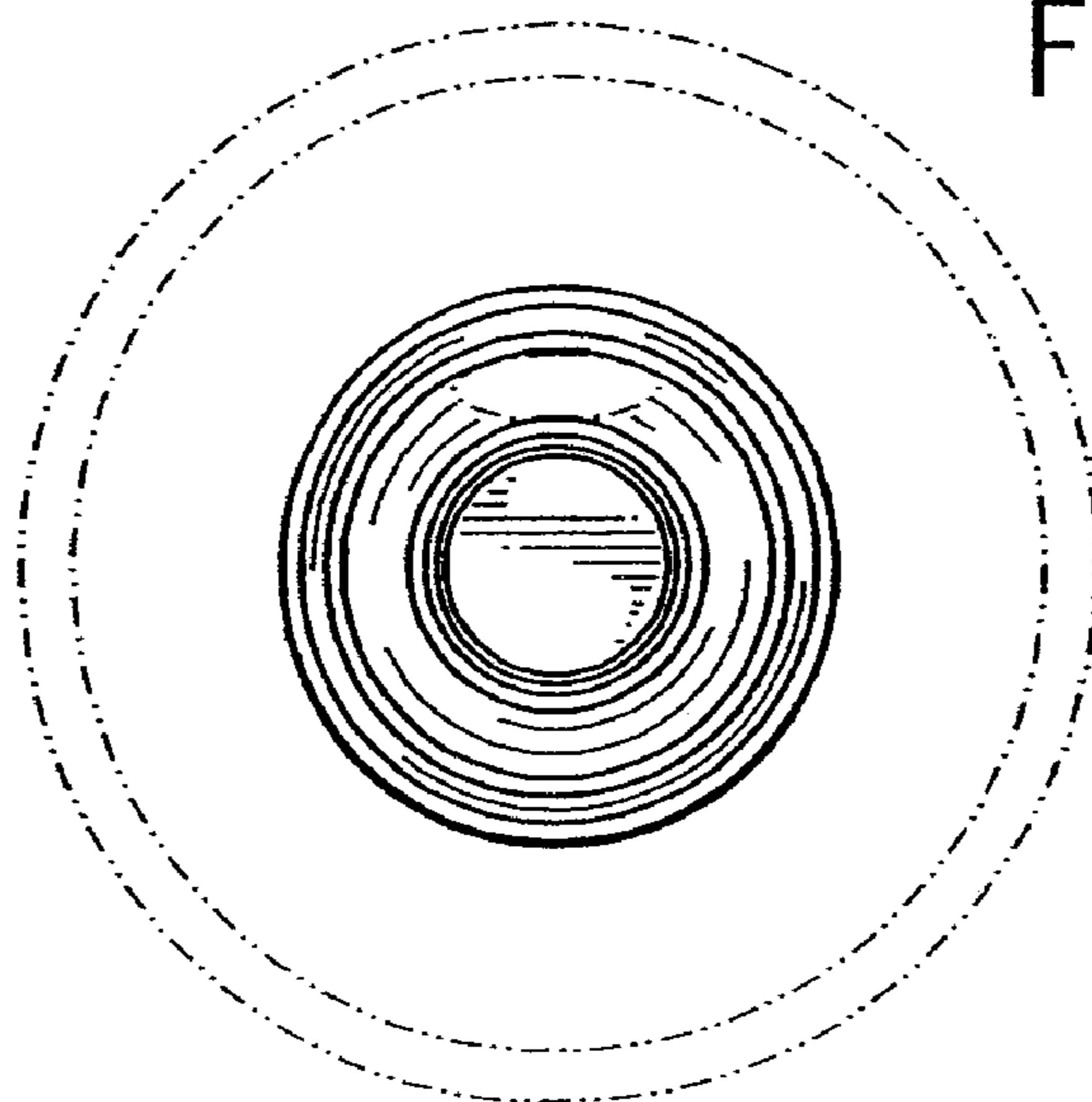


FIG. 4

FIG. 5

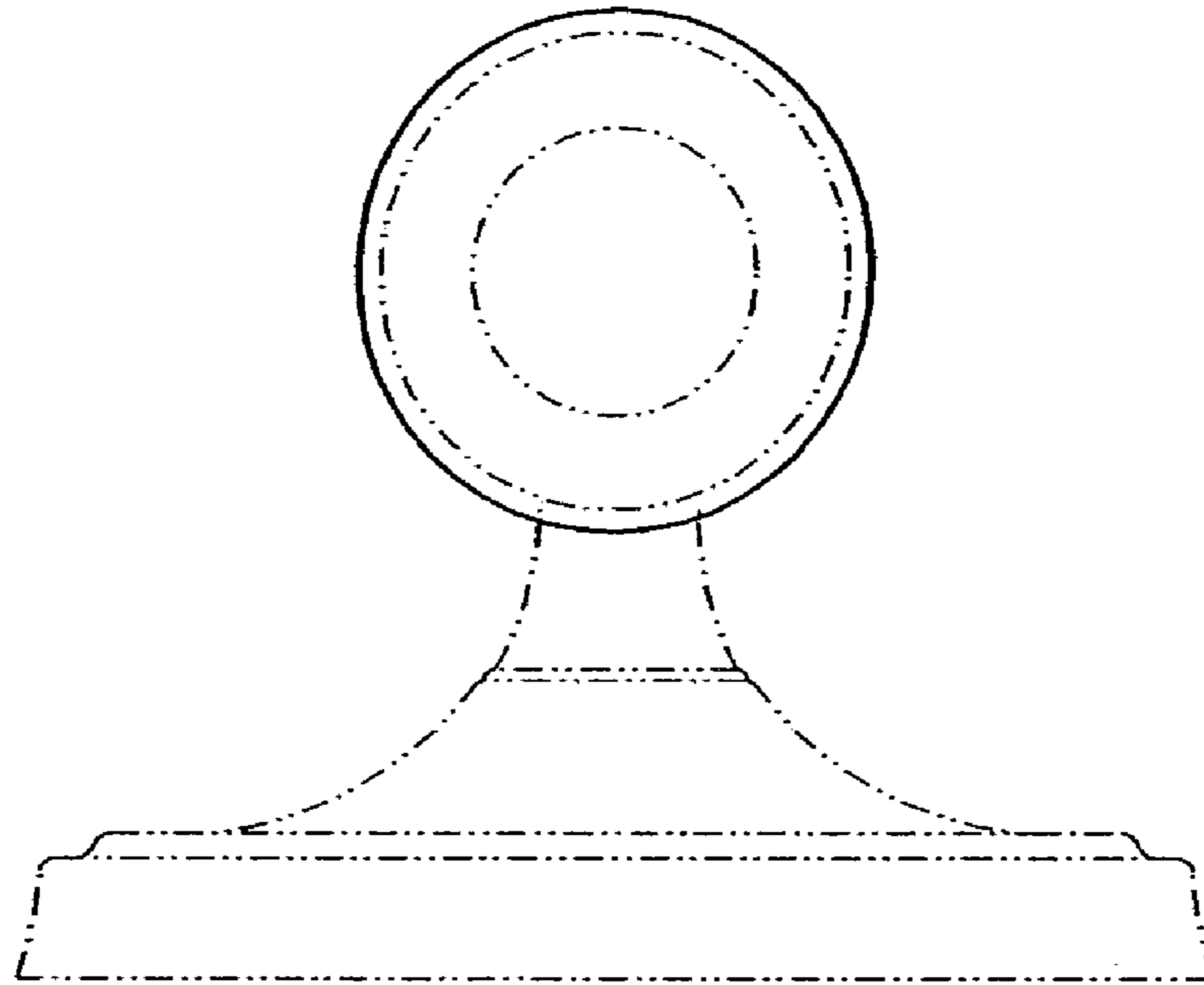


FIG. 6

