



US00D575901S

(12) **United States Design Patent**
Ricereto

(10) **Patent No.:** **US D575,901 S**

(45) **Date of Patent:** **** Aug. 26, 2008**

(54) **FIXTURE ELEMENT**

(75) Inventor: **Michael H. Ricereto**, Baltimore, MD
(US)

(73) Assignee: **Kohler Co.**, Kohler, WI (US)

(**) Term: **14 Years**

(21) Appl. No.: **29/237,546**

(22) Filed: **Sep. 1, 2005**

(51) **LOC (8) Cl.** **26-99**

(52) **U.S. Cl.** **D26/138**

(58) **Field of Classification Search** D26/153,
D26/81, 155, 86, 134, 92, 87, 84, 80, 72,
D26/125, 152, 142, 68, 128, 138, 154, 24,
D26/67, 113, 143, 147; 52/295; D8/379;
248/126; 362/257, 382, 395, 410, 412, 414,
362/431, 432, 433, 434, 349

See application file for complete search history.

(56) **References Cited**

U.S. PATENT DOCUMENTS

D26,902 S *	4/1897	Chesson	D6/491
D66,561 S *	2/1925	Fried	D26/92
1,882,228 A *	10/1932	Ne Page	52/295
3,239,958 A *	3/1966	Daum	40/606.03
D316,457 S *	4/1991	De'Armond	D26/67
D367,725 S *	3/1996	Segill et al.	D26/87
D380,851 S *	7/1997	Dolan	D26/92
D387,464 S *	12/1997	Hoffman	D26/87
D423,708 S *	4/2000	Giese et al.	D26/68
D439,362 S *	3/2001	Berry	D26/87
D441,486 S *	5/2001	Hsing	D26/87
D444,255 S *	6/2001	Bucher et al.	D26/80
D447,268 S *	8/2001	Hsu	D26/86
D459,524 S *	6/2002	Dolan	D26/86
D461,582 S *	8/2002	Hsu	D26/90
D463,063 S *	9/2002	Dolan	D26/155
D467,380 S *	12/2002	Dolan	D26/92
D488,578 S *	4/2004	O'Tierney	D26/81

OTHER PUBLICATIONS

Kohler catalog p. 5.3, Bathroom Accessories, Mirrored Cabinets & Lighting.

Website page for www.Lamps-Lighting.com, Murray Feiss MFL-VS89010RB Oil Rubbed Bronze White Opal etched Kinsale, date printed Aug. 1, 2005.

* cited by examiner

Primary Examiner—Freda S. Nunn

Assistant Examiner—Kevin K Rudzinski

(74) *Attorney, Agent, or Firm*—Quarles & Brady LLP

(57) **CLAIM**

The ornamental design for a fixture element, as shown and described.

DESCRIPTION

In a preferred embodiment, the nature of this product is a fixture element in the form of a shade fitter for a lighted wall sconce as well as single light wall sconce and double light wall sconce.

FIG. 1 is a left, top, front perspective view of a fixture element according to my new design;

FIG. 2 is a front elevational view thereof;

FIG. 3 is a left side elevational view thereof, the right side elevational view thereof being a mirror image of the left side shown;

FIG. 4 is a top plan view thereof;

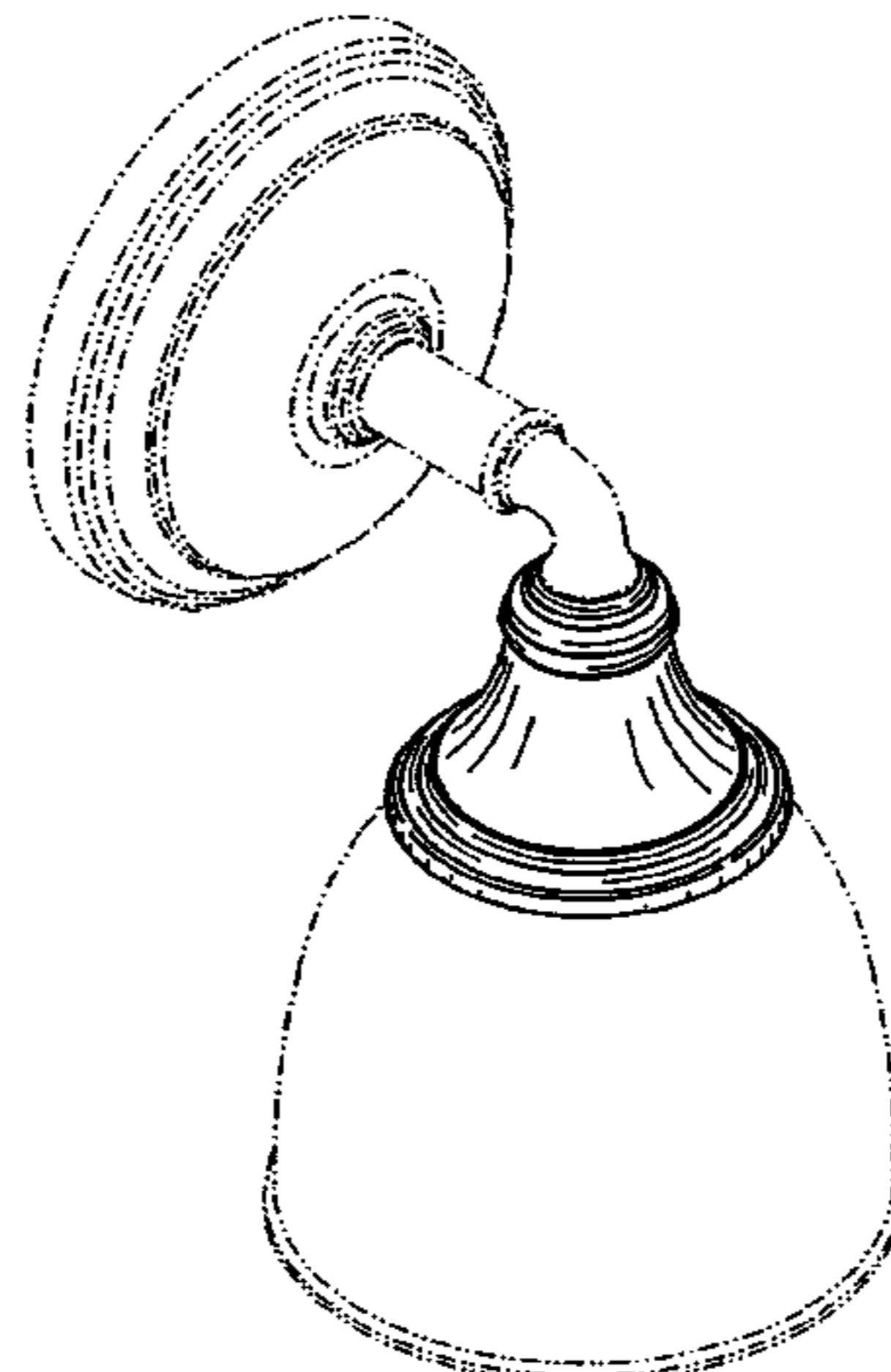
FIG. 5 is a bottom plan view thereof;

FIG. 6 is a rear elevational view thereof; and,

FIG. 7 is a left, top, front perspective view of a fixture element according to another embodiment of my new design, the front, left side (and mirror image right side) and rear elevational views thereof being represented by respective FIGS. 2, 3 and 6 and the top and bottom plan views thereof being represented by respective FIGS. 5 and 6.

The broken line representations of escutcheon and mount environment in FIGS. 1–5 and 7, shade environment in FIGS. 1–4 and 6–7, and underside structure in FIG. 5, are for the purpose of illustration only, and form no part of the claimed design.

1 Claim, 3 Drawing Sheets



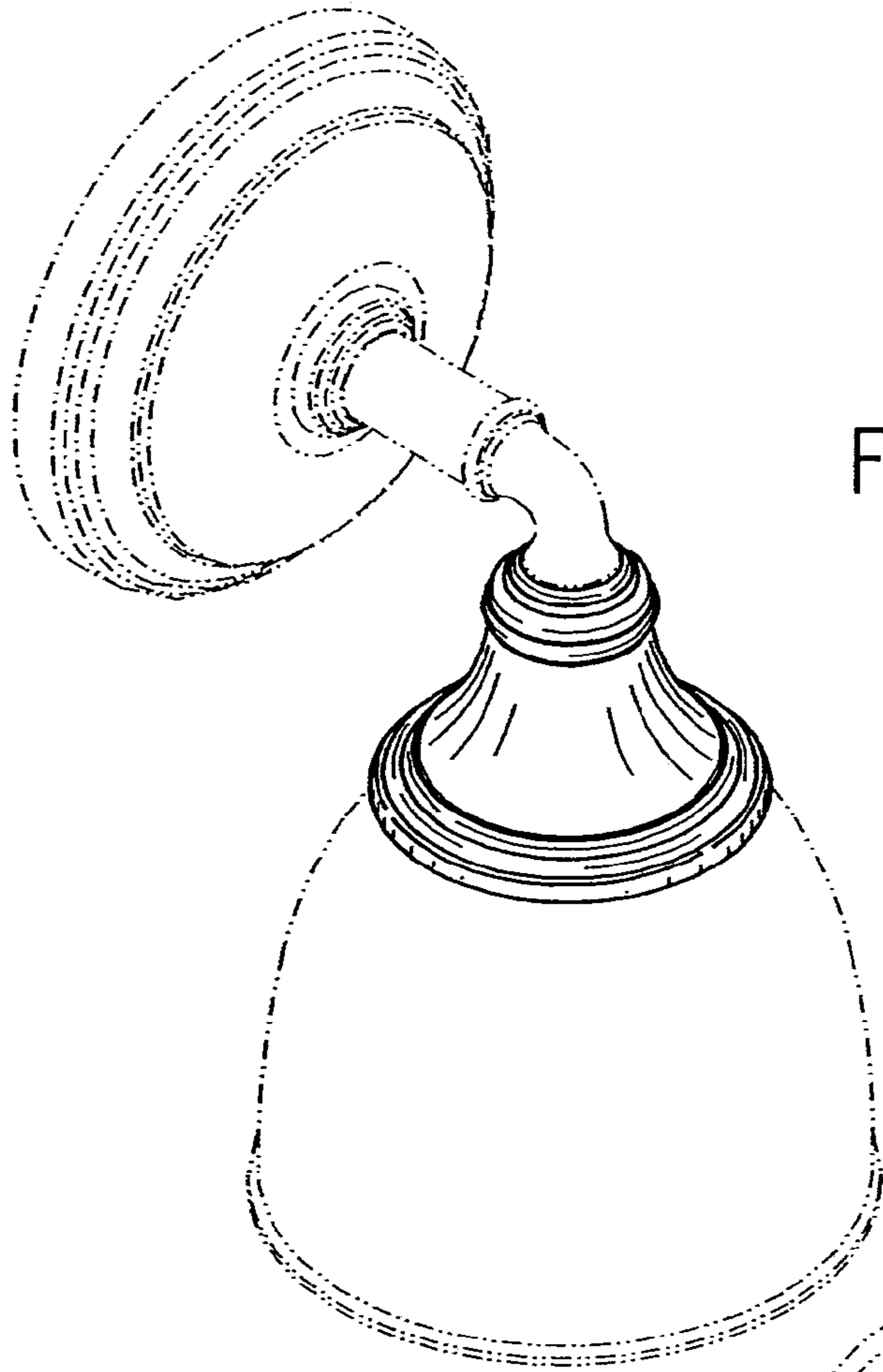


FIG. 1

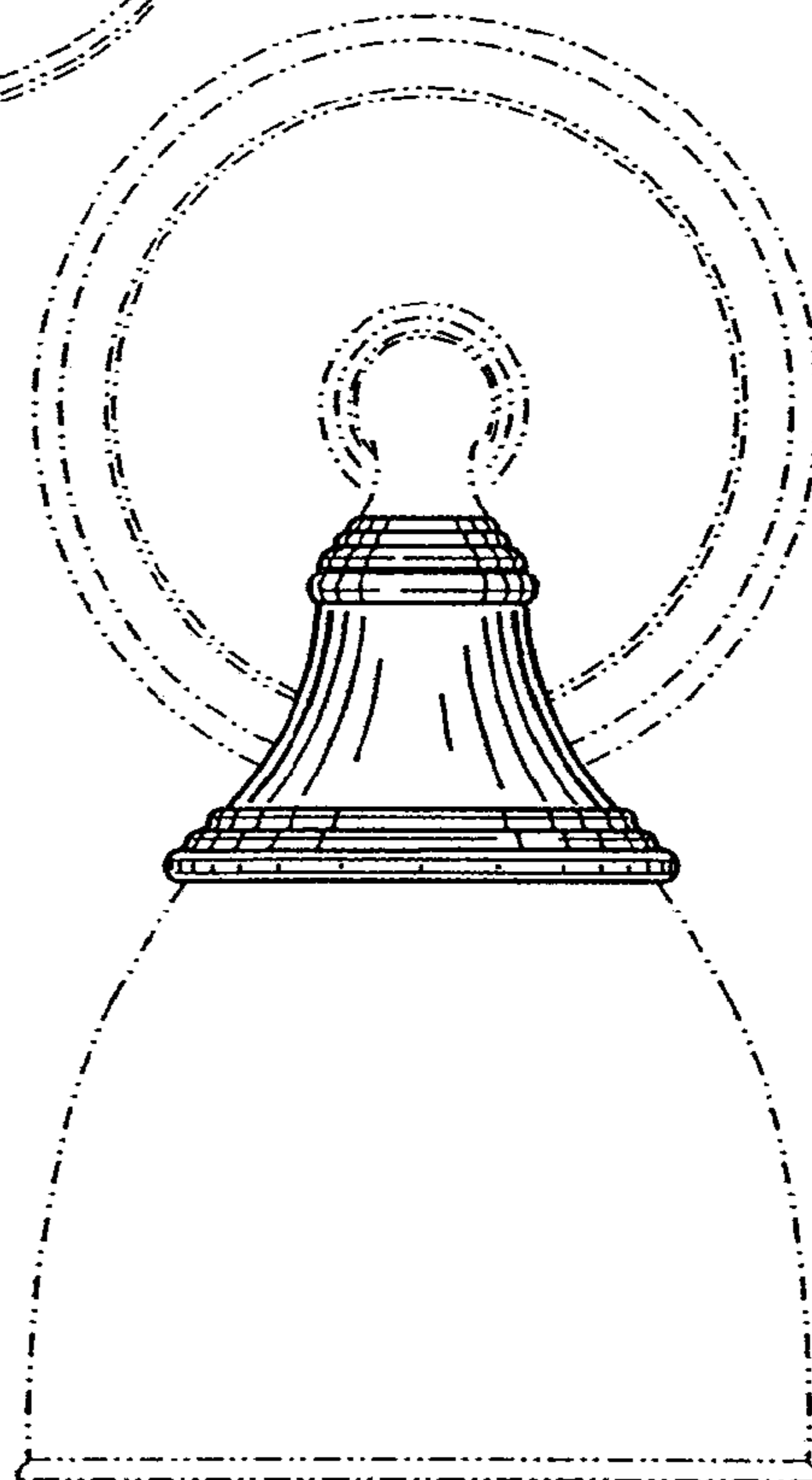


FIG. 2

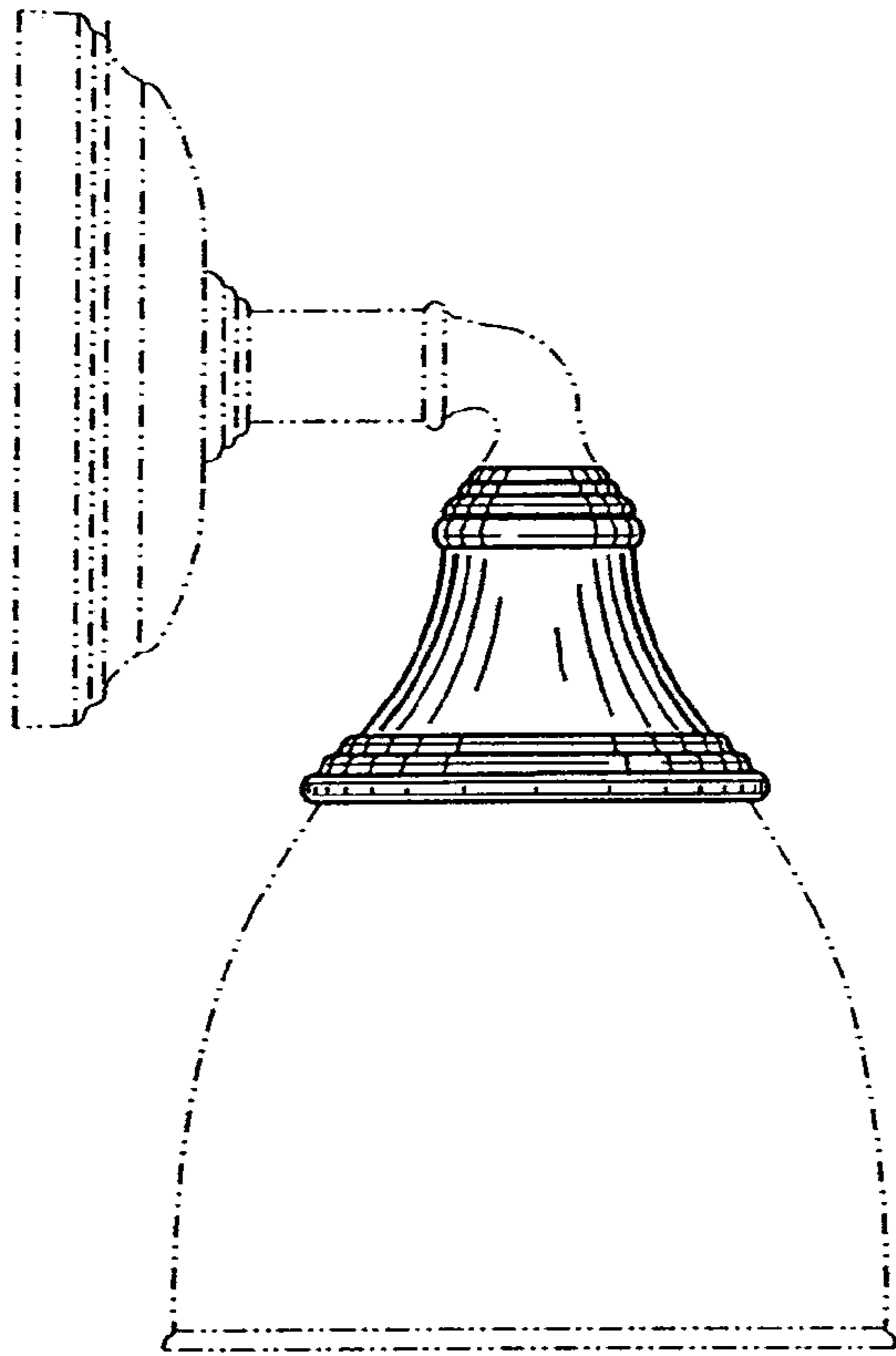


FIG. 3

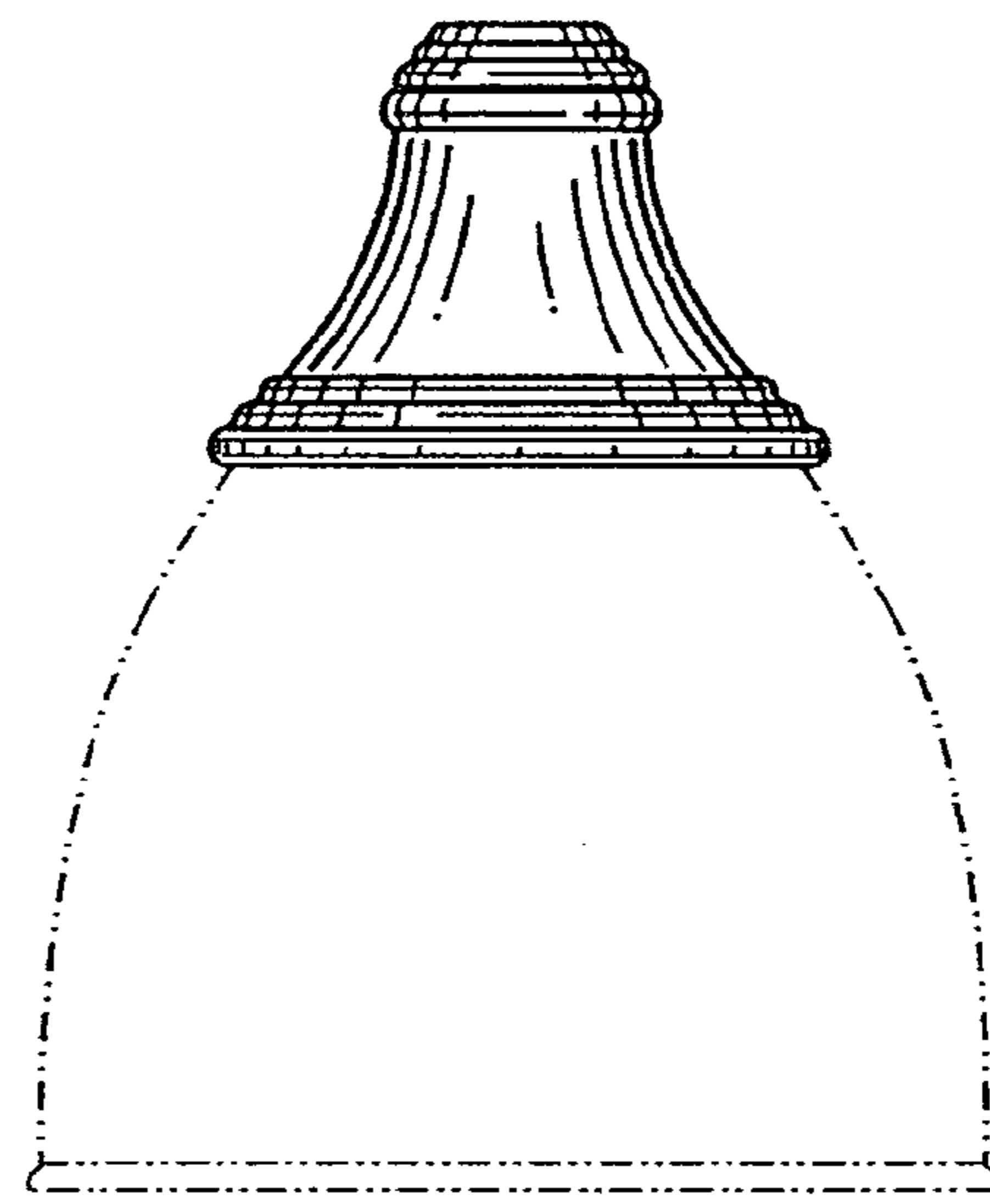


FIG. 6

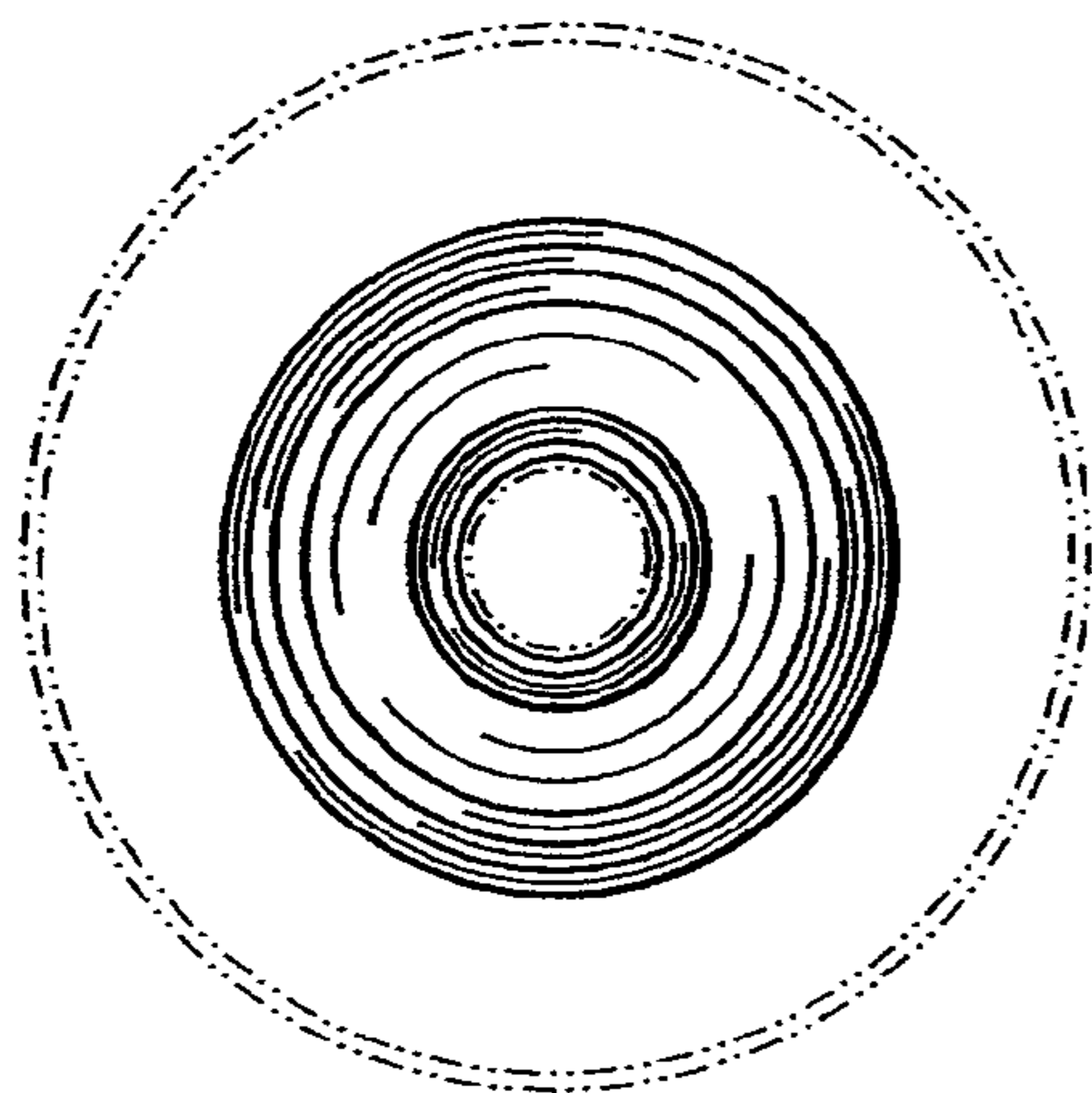


FIG. 4

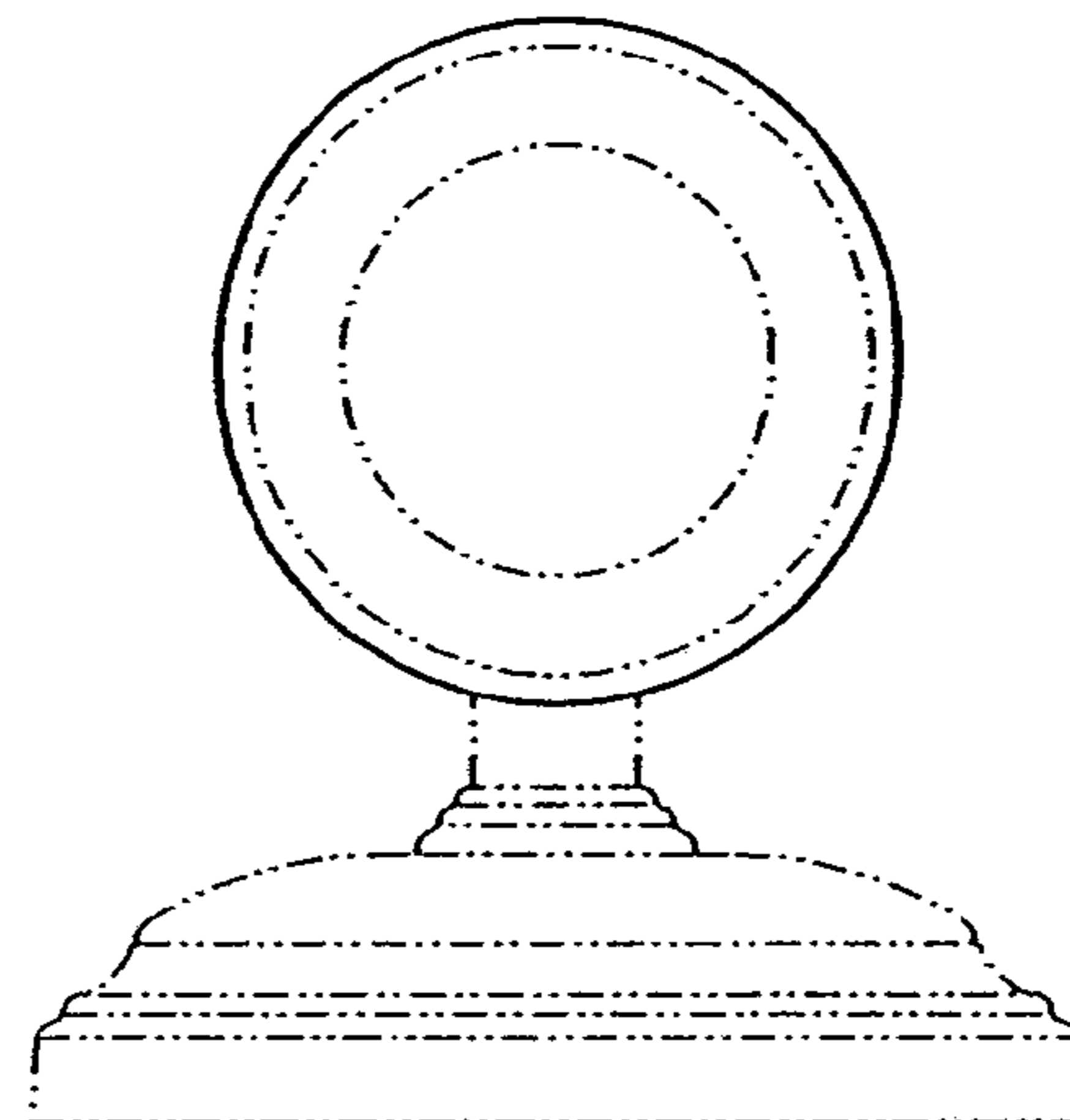


FIG. 5

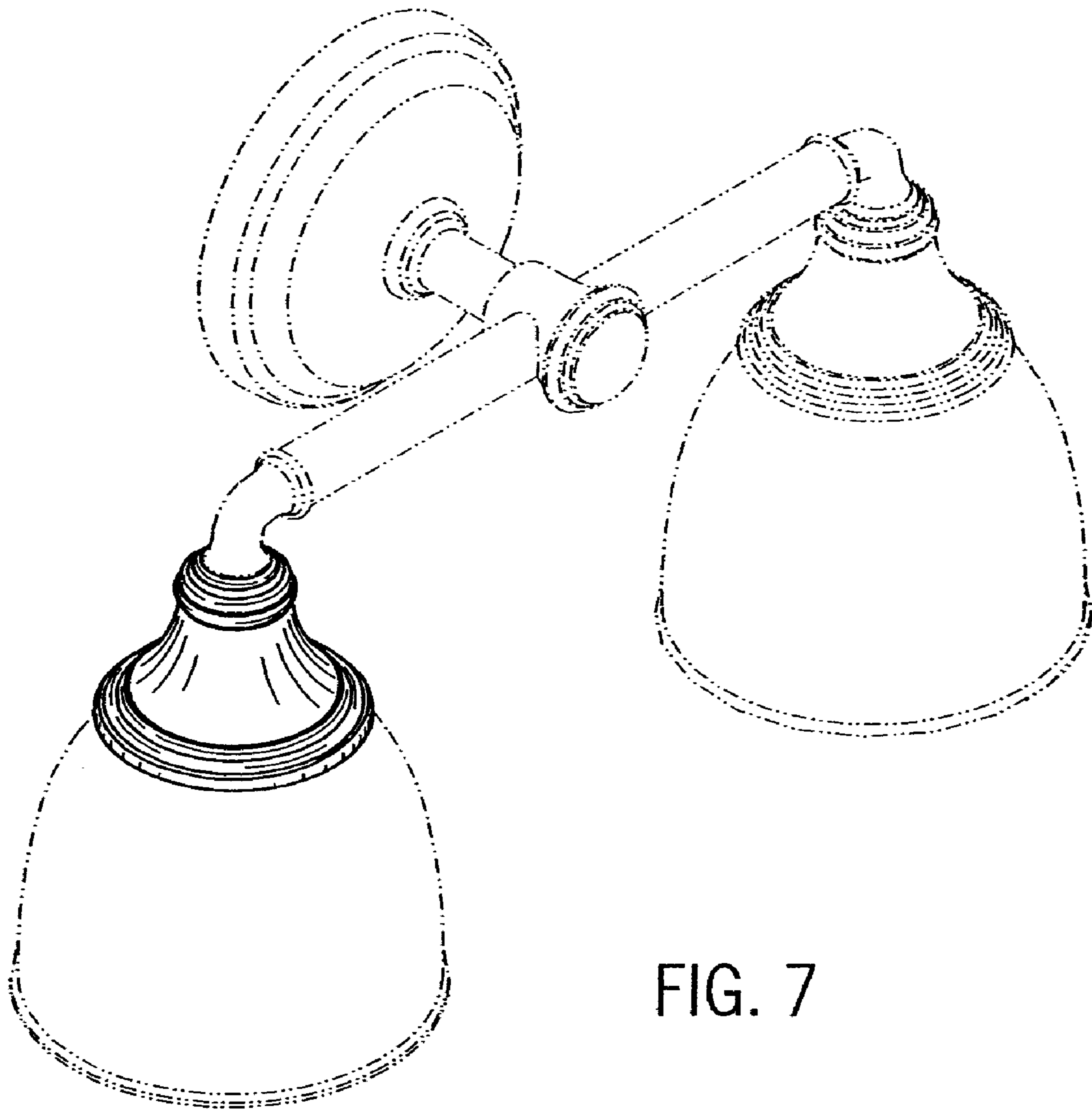


FIG. 7