



US00D575900S

(12) **United States Design Patent**
Summerford et al.

(10) **Patent No.:** **US D575,900 S**
(45) **Date of Patent:** **** Aug. 26, 2008**

(54) **LUMINAIRE**

(75) Inventors: **Robert L. Summerford**, Selma, TX
(US); **Claude Barozzini**, Macungie, PA
(US); **Mike Joss**, Chicago, IL (US);
Bryan Huddleston, San Marcos, TX
(US)

(73) Assignee: **Genlyte Thomas Group, LLC**,
Louisville, KY (US)

(**) Term: **14 Years**

(21) Appl. No.: **29/298,906**

(22) Filed: **Dec. 14, 2007**

Related U.S. Application Data

(63) Continuation of application No. 29/198,093, filed on
Jan. 23, 2004, now Pat. No. Des. 561,932.

(51) **LOC (8) Cl.** **26-99**

(52) **U.S. Cl.** **D26/128**

(58) **Field of Classification Search** D26/142,
D26/35, 46, 60, 61, 104, 113, 120, 123, 124,
D26/136, 63, 138, 64, 80, 67, 37, 3, 28, 24,
D26/122, 118, 88, 68, 85, 86, 87, 128; 362/648,
362/647, 427, 523, 240, 216, 84, 612, 558,
362/559, 555, 545, 311, 294, 249, 235, 307;
D13/110, 133, 182, 180; 439/121, 118
See application file for complete search history.

(56) **References Cited**

U.S. PATENT DOCUMENTS

1,215,894 A	2/1917	Yuyama	
D51,774 S	2/1918	Coppinger	
1,356,145 A	10/1920	Hawthorne	
1,486,745 A	3/1924	Haselton	
1,545,711 A	7/1925	Townsend	
1,607,413 A *	11/1926	Tillson	362/347
1,639,753 A	8/1927	Shelton	
D94,893 S *	3/1935	Guth	D26/88
D95,202 S *	4/1935	Glatthar et al.	D26/88
2,075,199 A	3/1937	Horner	

D104,401 S	5/1937	Kanter	
D105,452 S *	7/1937	Poling	D26/88
D106,593 S *	10/1937	Guth	D26/88
2,132,784 A	10/1938	Guth	
D114,805 S	5/1939	Brooks	
D115,417 S	6/1939	McCann	
D125,316 S *	2/1941	Rolph	D26/132
2,255,431 A *	9/1941	Marden et al.	313/485
D137,508 S	3/1944	Asay	
2,632,095 A	3/1953	Dove	
D172,522 S	6/1954	Stone	
2,732,484 A	1/1956	Lipscomb	
D178,282 S	7/1956	Runtz	
2,767,305 A	10/1956	Onksen et al.	
2,853,599 A	9/1958	Kliegl	
D190,385 S	5/1961	Schreckengost	
D199,142 S	9/1964	Daum	
D199,144 S	9/1964	Daum	
D202,212 S	9/1965	Izzi	
D217,638 S	5/1970	Magi	
D222,103 S	9/1971	Anderson	

(Continued)

Primary Examiner—Freda S. Nunn

Assistant Examiner—Kevin K Rudzinski

(74) *Attorney, Agent, or Firm*—James E. Cole; Middleton
Reutlinger

(57) **CLAIM**

The ornamental design for a luminaire, as shown and
described.

DESCRIPTION

FIG. 1 is a perspective view of a luminaire showing the
design;

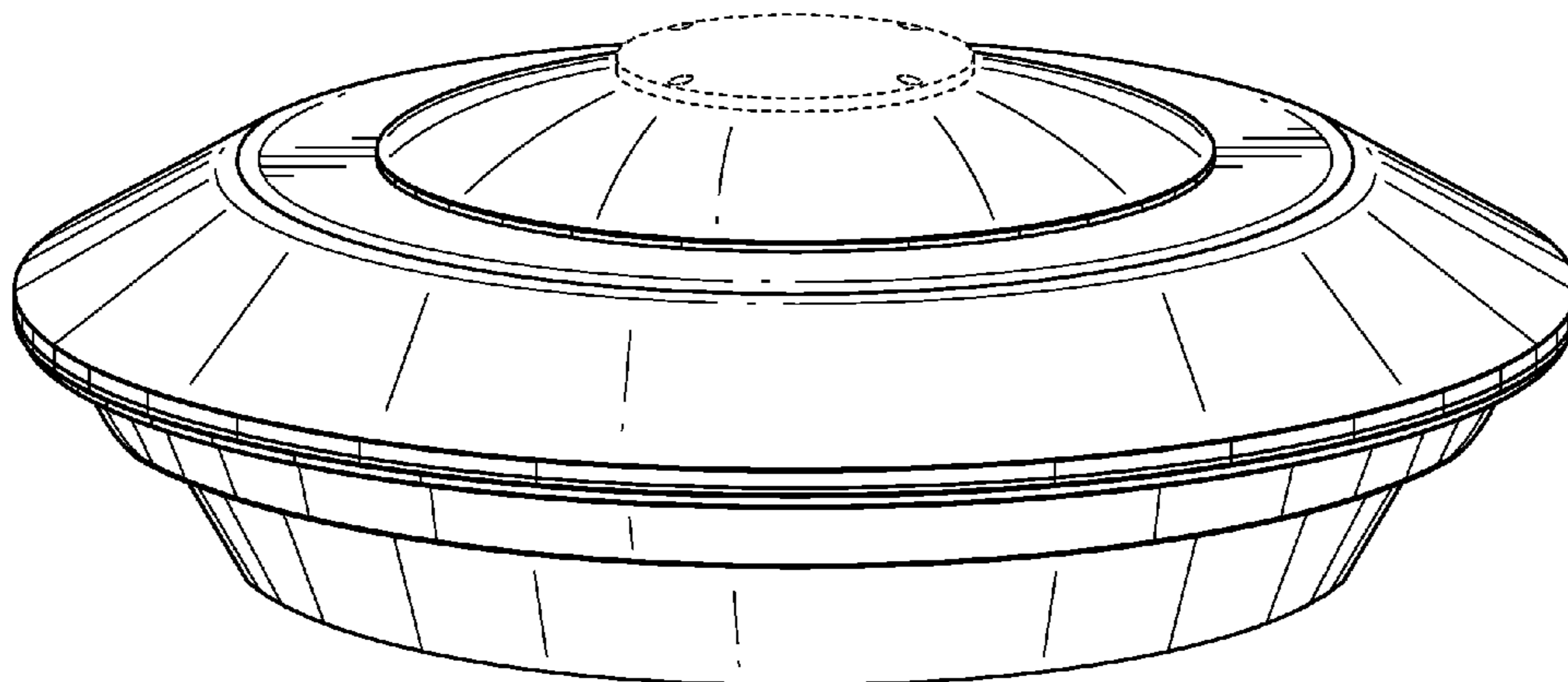
FIG. 2 is a side view thereof;

FIG. 3 is a top view thereof; and,

FIG. 4 is a bottom view thereof.

The broken lines showing environmental structure are for
illustrative purposes only and form no part of the claimed
design.

1 Claim, 4 Drawing Sheets



US D575,900 S

Page 2

U.S. PATENT DOCUMENTS					
3,610,915 A	10/1971	Moore	D355,044 S	1/1995	Russello et al.
3,666,935 A	5/1972	Pritchett et al.	D357,761 S	4/1995	DeWinter
3,711,702 A	1/1973	Adra	5,404,297 A	4/1995	Birk et al.
3,755,665 A	8/1973	Grindle	D358,898 S	5/1995	Compton
D229,713 S	12/1973	Wince et al.	D358,902 S	5/1995	Webster, III
D231,406 S	4/1974	Biallo	5,416,684 A	5/1995	Pearce
3,895,227 A	7/1975	Murray et al.	D364,242 S	11/1995	Fiorato
3,919,542 A	11/1975	Castic	5,491,618 A *	2/1996	Vakil 362/147
4,164,784 A	8/1979	Jaksich	D370,228 S	5/1996	Chapman et al.
4,288,846 A	9/1981	Fletcher et al.	5,584,574 A	12/1996	Haddad
D262,914 S	2/1982	Kristofek	D377,990 S	2/1997	Nakano
4,323,953 A	4/1982	Hutchison	5,642,934 A	7/1997	Haddad
D267,516 S	1/1983	Rambusch et al.	D385,643 S	10/1997	Brohard et al.
D272,193 S	1/1984	Sangiarno	D390,999 S	2/1998	Gaskins et al.
4,434,455 A	2/1984	Merritt	D391,659 S	3/1998	Gaskins et al.
4,447,863 A	5/1984	Fenne	D391,661 S *	3/1998	Pan D26/86
4,516,196 A *	5/1985	Blake 362/311	D393,733 S	4/1998	Gaskins et al.
4,519,018 A	5/1985	Rowland	5,797,721 A *	8/1998	Yu 415/5
4,602,320 A	7/1986	Tomkin et al.	D399,331 S	10/1998	Greene et al.
D286,206 S	10/1986	Joosten et al.	D399,332 S	10/1998	Greene et al.
D286,446 S	10/1986	Caroli et al.	D399,333 S	10/1998	Greene et al.
4,695,930 A	9/1987	Wierzbicki et al.	D400,286 S	10/1998	Greene et al.
4,709,312 A	11/1987	Heinisch et al.	D406,674 S *	3/1999	Zuege D26/85
D294,066 S	2/1988	Ewing et al.	D415,304 S	10/1999	Brown
4,760,499 A	7/1988	II	5,971,571 A	10/1999	Rose
4,816,969 A	3/1989	Miller	D417,522 S *	12/1999	Klaus D26/87
D301,175 S	5/1989	Benjamin	D418,626 S	1/2000	Herst et al.
D302,326 S	7/1989	DiCola	D424,736 S	5/2000	Johnson
D302,327 S	7/1989	DiCola	D428,180 S *	7/2000	Orellana et al. D26/67
D302,328 S	7/1989	Fretz	D429,362 S	8/2000	Landefeld
D302,329 S	7/1989	Fretz et al.	D437,958 S	2/2001	Doron, Jr. et al.
D302,330 S	7/1989	Fretz	D440,692 S	4/2001	Janos et al.
4,858,091 A	8/1989	Fouke	D442,313 S	5/2001	Wojtkowiak et al.
D305,694 S	1/1990	Brown	D444,258 S	6/2001	Bradford et al.
D309,956 S	8/1990	Sikora et al.	D445,943 S	7/2001	Littman
D315,612 S	3/1991	Hughes et al.	D446,340 S	8/2001	Bradford et al.
D316,457 S	4/1991	De'Armond	D447,590 S	9/2001	Raouf et al.
D321,408 S	11/1991	Hughes et al.	D456,551 S	4/2002	Russello et al.
D323,897 S	2/1992	Compton	D456,552 S	4/2002	Russello et al.
5,086,379 A	2/1992	Denison et al.	D456,553 S	4/2002	Russello et al.
5,158,348 A	10/1992	Sakamoto et al.	D456,926 S	5/2002	Gaskins et al.
5,174,648 A	12/1992	Clary et al.	D456,927 S	5/2002	Russello et al.
D336,536 S	6/1993	Shaanan et al.	D456,928 S	5/2002	Russello et al.
D336,964 S	6/1993	Janssen et al.	D456,929 S	5/2002	Russello et al.
D337,835 S	7/1993	Donato et al.	D456,930 S	5/2002	Russello et al.
D338,980 S	8/1993	Dieperink	D456,930 S	5/2002	Russello et al.
D341,441 S *	11/1993	Shapiro D26/118	D459,515 S	6/2002	Gaskins et al.
D341,442 S *	11/1993	Shapiro D26/118	D459,519 S	6/2002	Russello et al.
D343,245 S	1/1994	Fouke et al.	D460,575 S	7/2002	Tergny et al.
D343,250 S	1/1994	Fouke et al.	6,422,709 B1	7/2002	Panagiotou
D343,251 S	1/1994	Fouke et al.	D465,048 S	10/2002	Gaskins et al.
5,278,737 A	1/1994	Luce et al.	D465,868 S	11/2002	Gaskins et al.
D344,606 S	2/1994	Fouke et al.	D467,030 S	12/2002	Gaskins et al.
D345,432 S	3/1994	Gruber et al.	D467,676 S *	12/2002	Packer et al. D26/72
D345,433 S	3/1994	Gruber et al.	D468,049 S *	12/2002	Ries et al. D26/89
D345,434 S	3/1994	Gruber et al.	D468,051 S	12/2002	Gaskins et al.
D346,874 S	5/1994	Fiorato	D469,565 S	1/2003	Anderson et al.
D347,292 S	5/1994	Roos et al.	D472,339 S	3/2003	Russello et al.
D347,486 S	5/1994	Gruber et al.	6,612,718 B1 *	9/2003	Packer et al. 362/267
D348,531 S	7/1994	Mehaffey et al.	D482,487 S	11/2003	Russello et al.
D352,124 S	11/1994	Russello et al.	D494,701 S	8/2004	Campbell
5,377,087 A	12/1994	Yoon	D555,821 S	11/2007	Russello et al.
D354,580 S	1/1995	Fouke et al.	D561,932 S *	2/2008	Summerford et al. D26/128

* cited by examiner

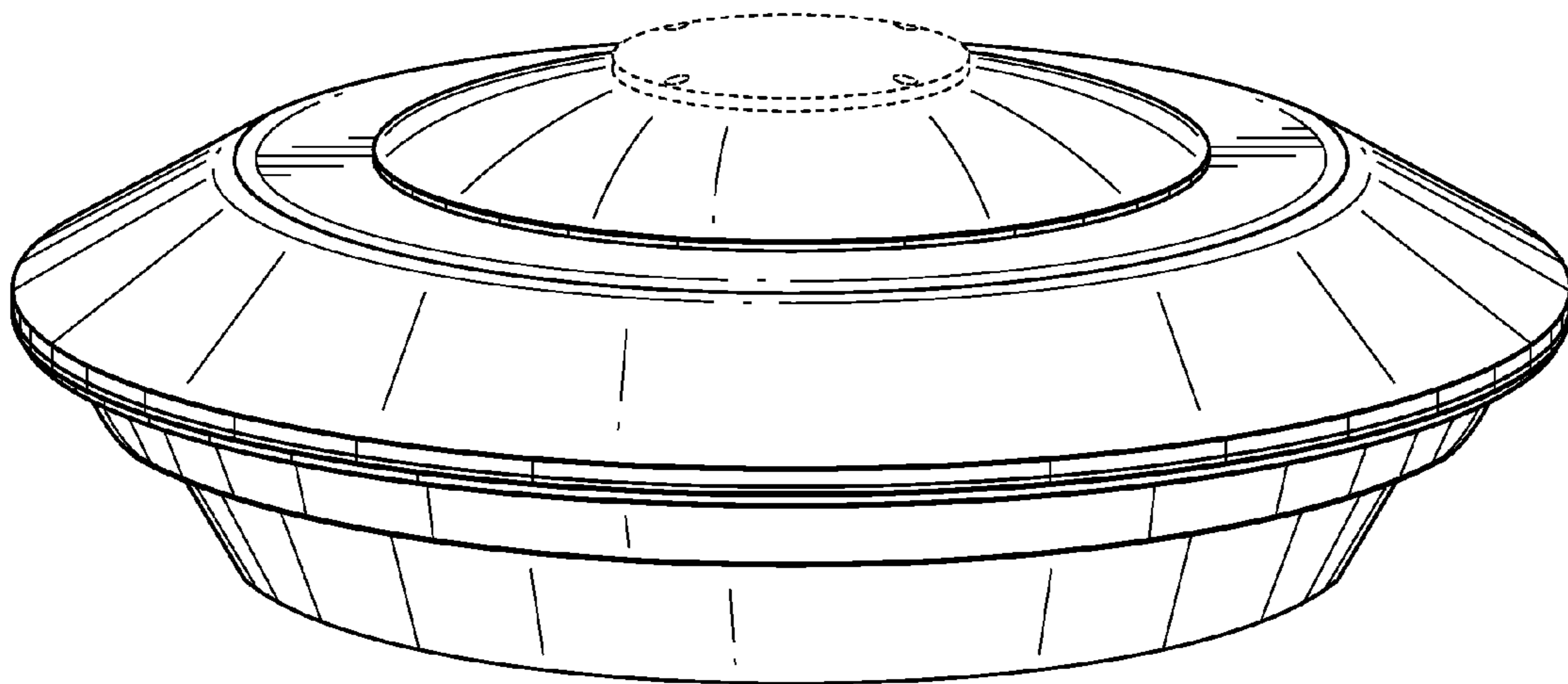


FIG. 1

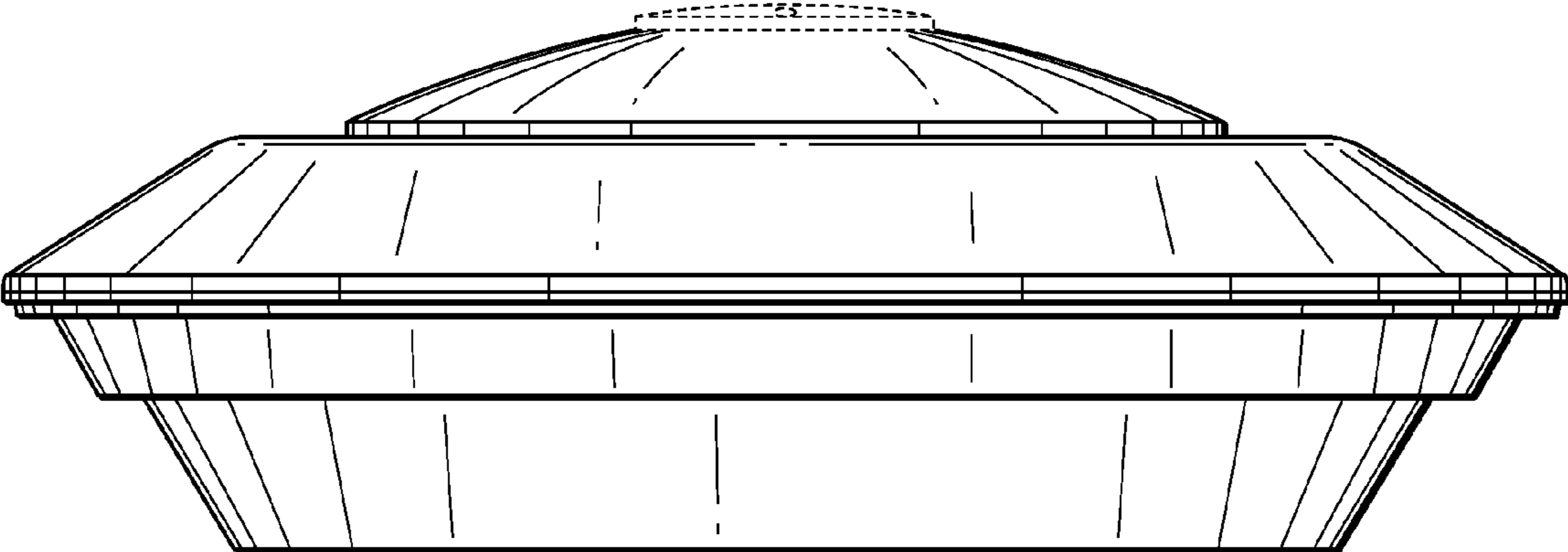


FIG. 2

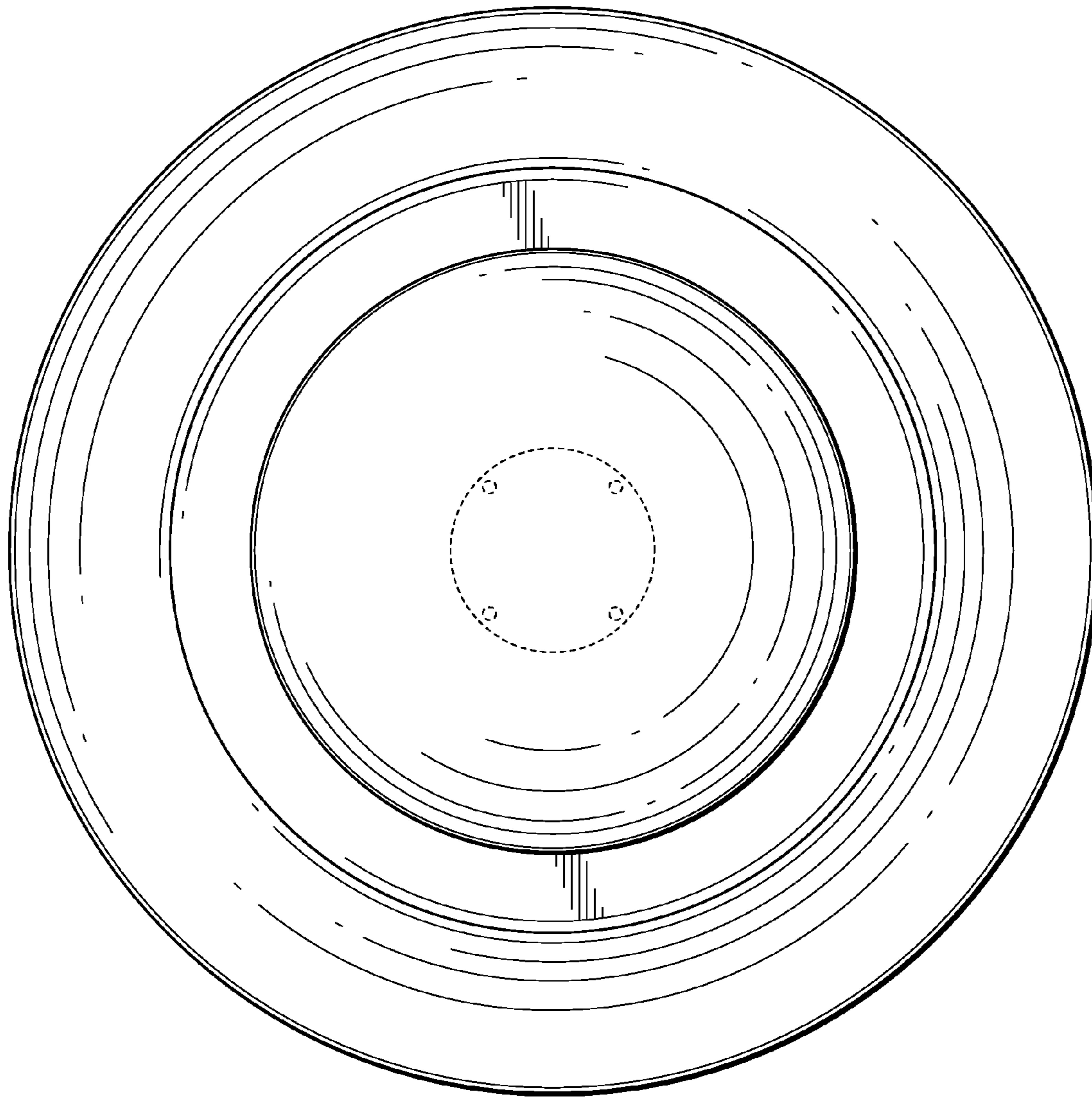


FIG. 3

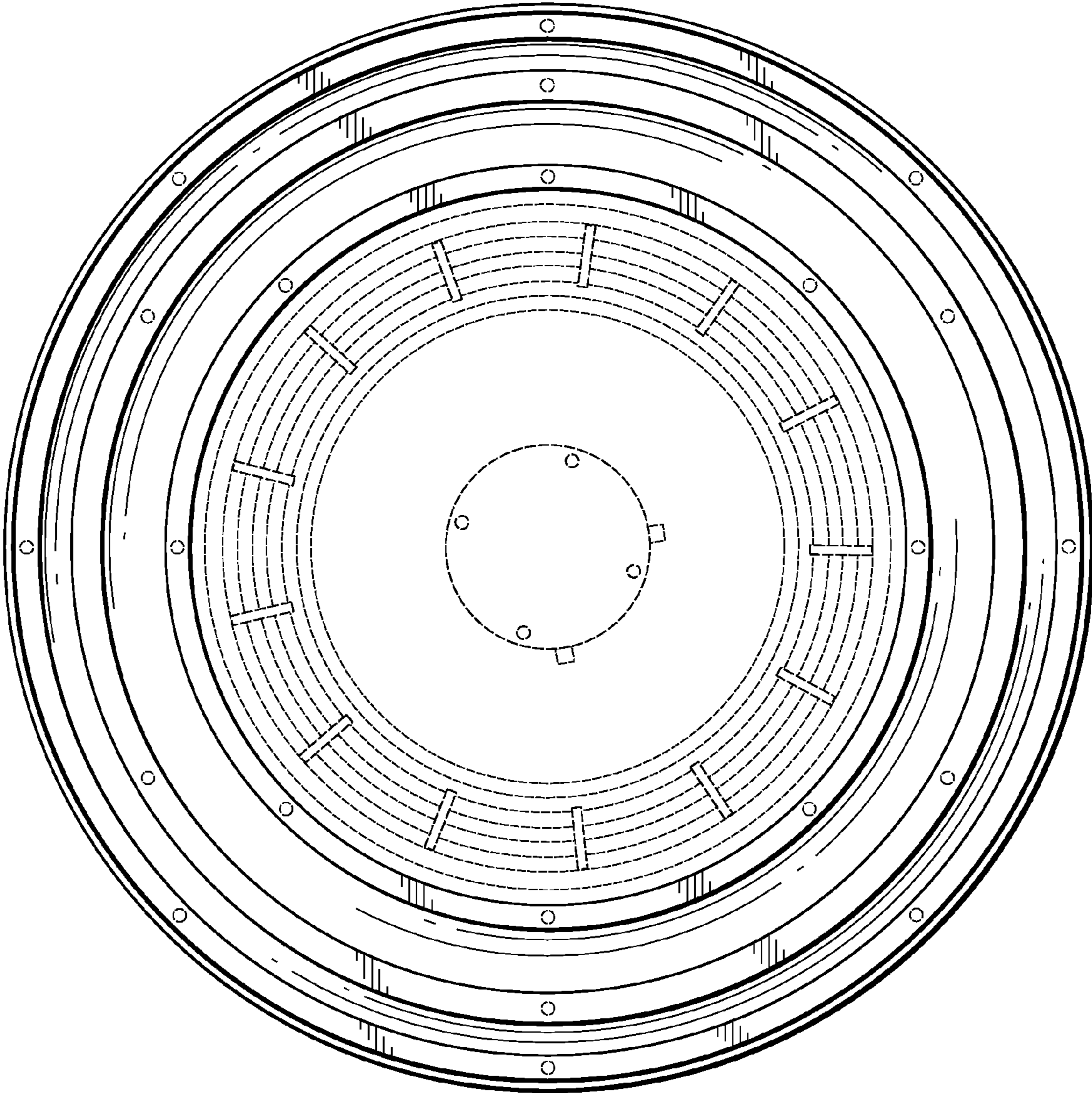


FIG. 4