



US00D575897S

(12) **United States Design Patent**
Dordoni

(10) **Patent No.:** **US D575,897 S**

(45) **Date of Patent:** **** Aug. 26, 2008**

(54) **TABLE LAMP**

(75) Inventor: **Rodolfo Dordoni**, Milan (IT)

(73) Assignee: **Flos S.p.A.**, Bovezzo (Brescia) (IT)

(**) Term: **14 Years**

(21) Appl. No.: **29/247,804**

(22) Filed: **Jul. 13, 2006**

(51) **LOC (8) Cl.** **26-03**

(52) **U.S. Cl.** **D26/112**

(58) **Field of Classification Search** D26/93-112;
362/410-414, 806

See application file for complete search history.

(56) **References Cited**

U.S. PATENT DOCUMENTS

D244,875 S	*	6/1977	Baca	D26/105
D328,361 S	*	7/1992	Paproski	D26/106
D385,058 S	*	10/1997	Yang	D26/111
D510,776 S	*	10/2005	Quentin	D26/111

* cited by examiner

Primary Examiner—Cathron Brooks

Assistant Examiner—Linda Brooks

(74) *Attorney, Agent, or Firm*—McGlew & Tuttle, P.C.

(57) **CLAIM**

The ornamental design for the table lamp, as shown and described.

DESCRIPTION

FIG. 1 is a perspective view of my new table lamp design, the portions shown in broken lines form no part of the claimed design;

FIG. 2 is a front elevation view thereof;

FIG. 3 is a top view thereof, the portions shown in broken lines form no part of the claimed design;

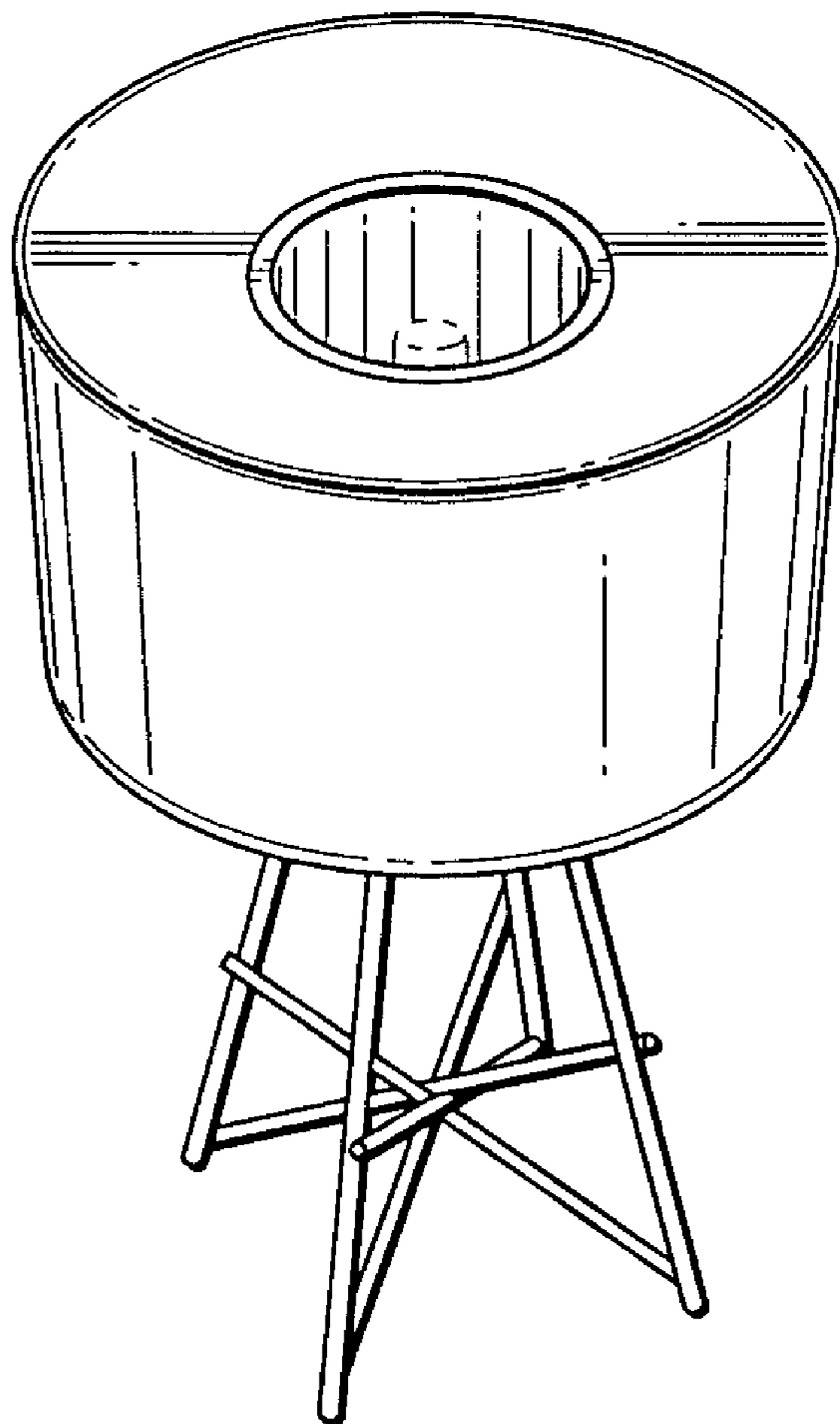
FIG. 4 is a bottom view thereof, the portions shown in broken lines form no part of the claimed design;

FIG. 5 is a rear view thereof;

FIG. 6 is a left side view thereof; and,

FIG. 7 is a right side view thereof.

1 Claim, 3 Drawing Sheets



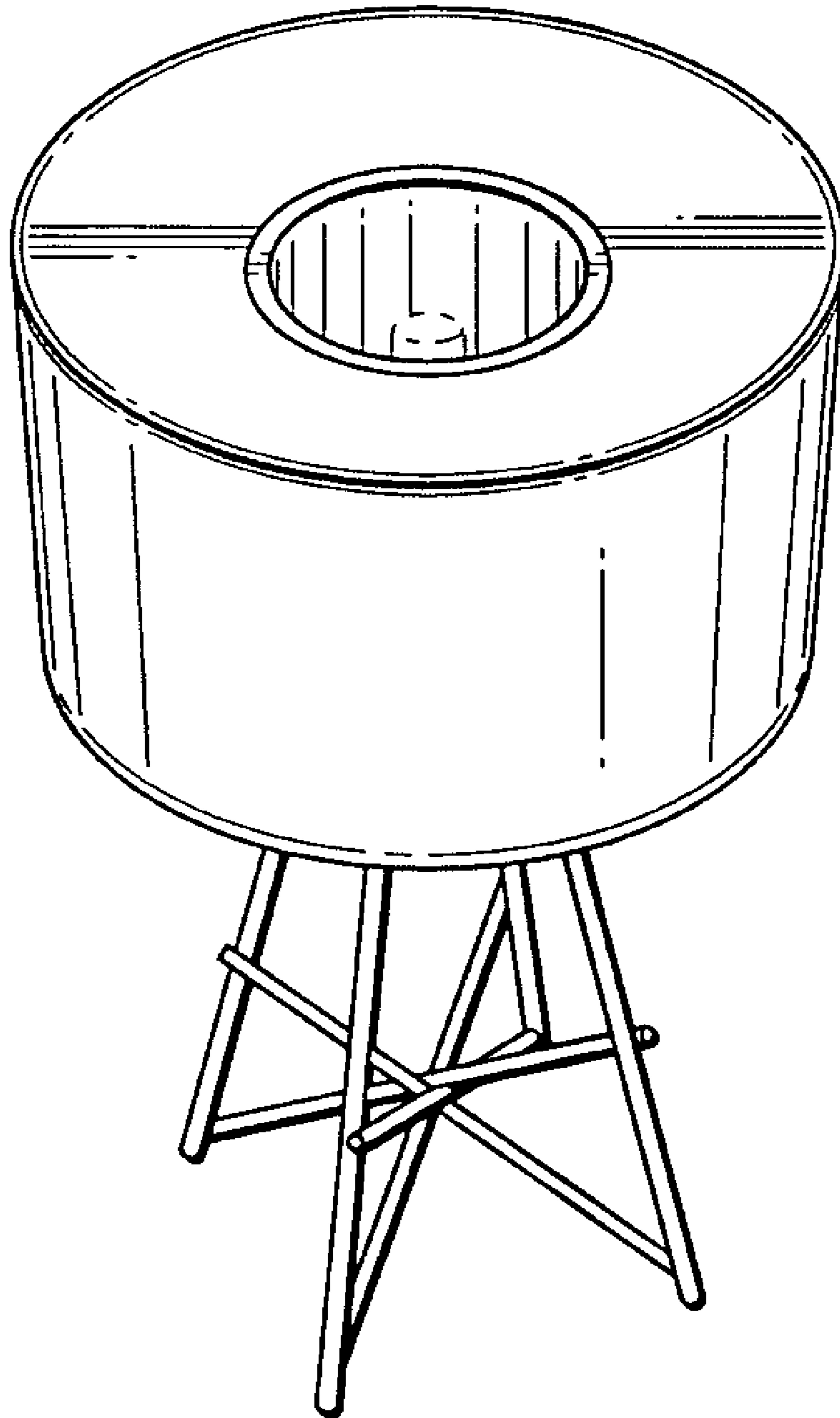


FIG. 1

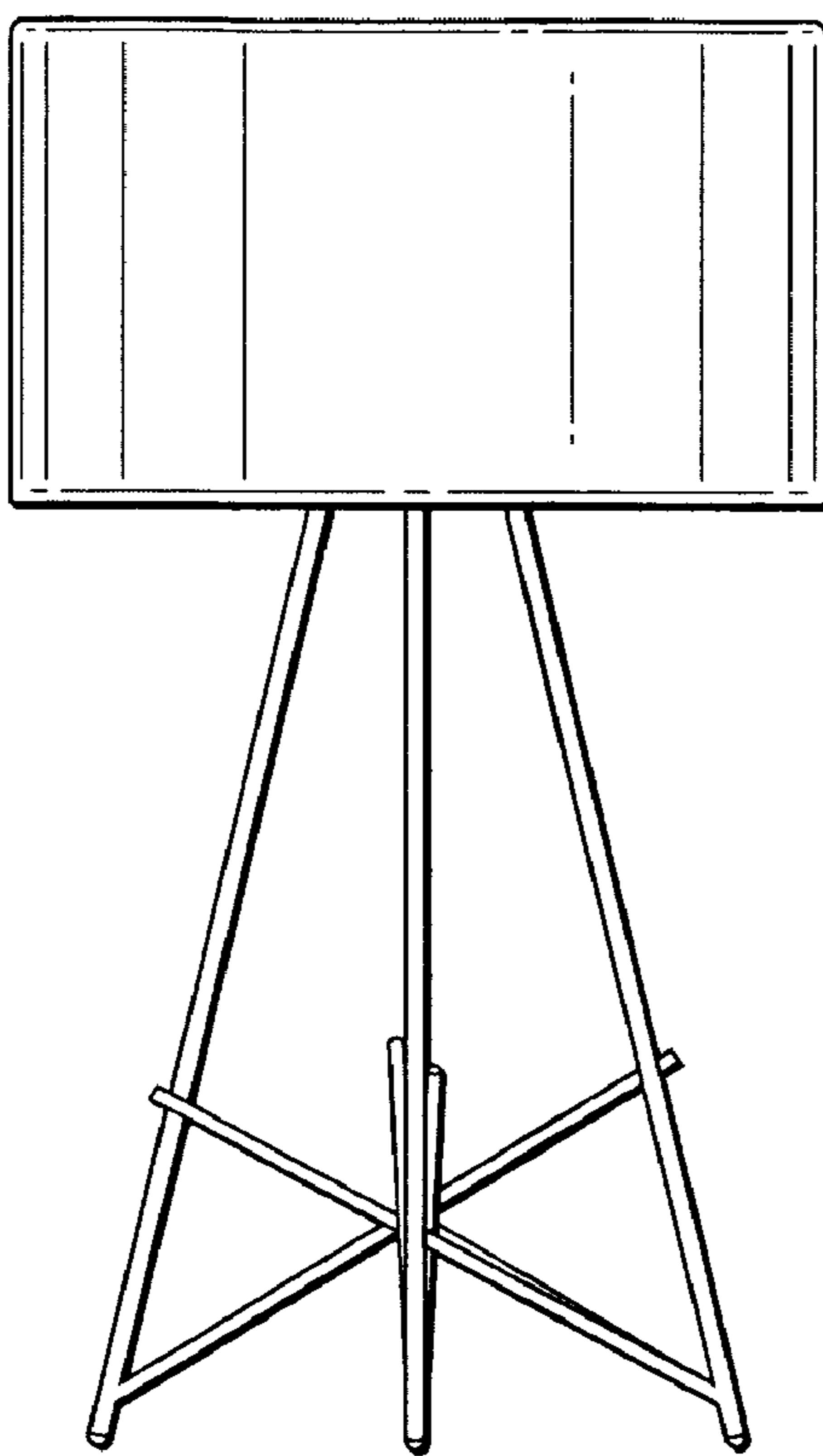


FIG. 2

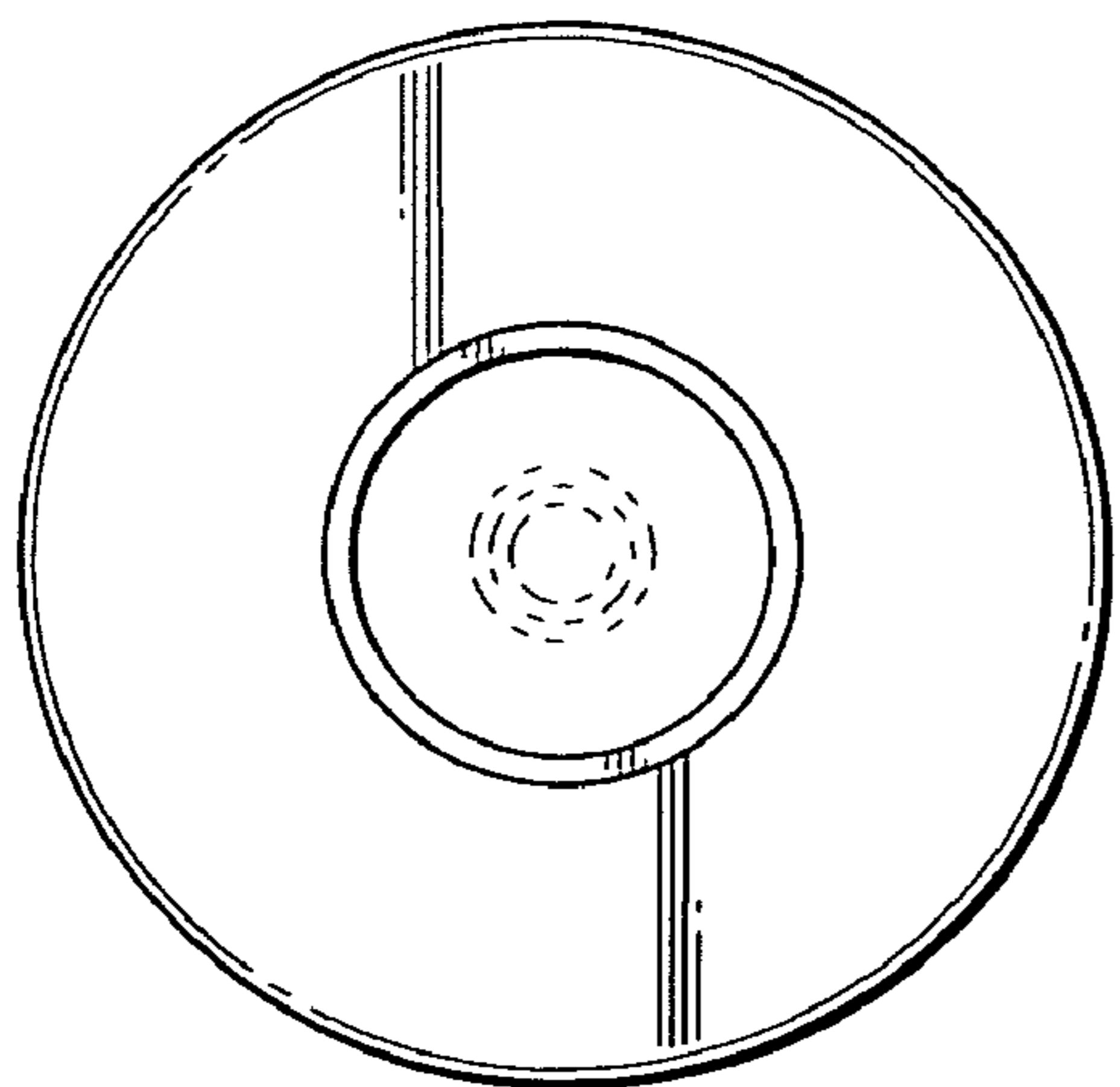


FIG. 3

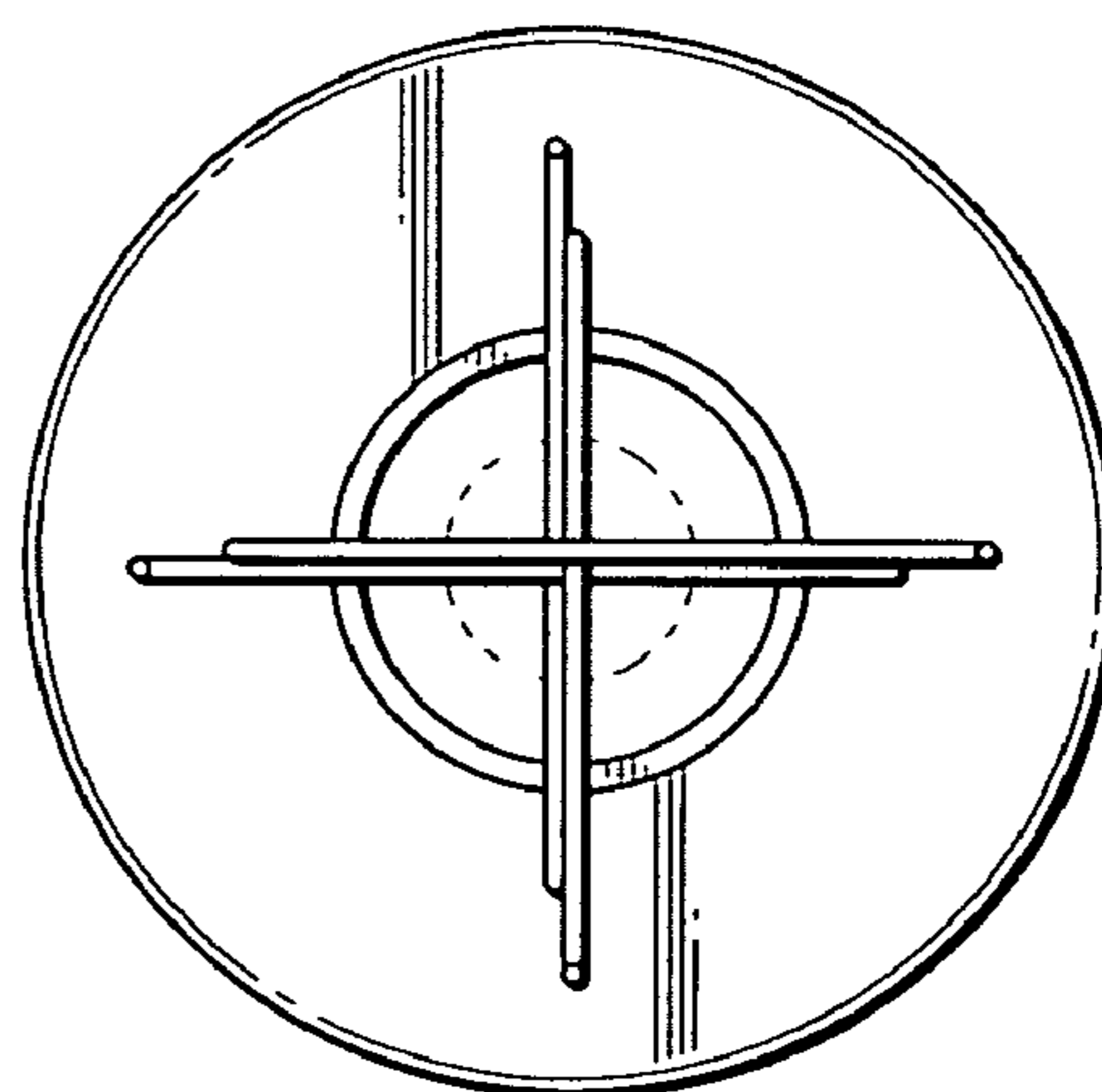


FIG. 4

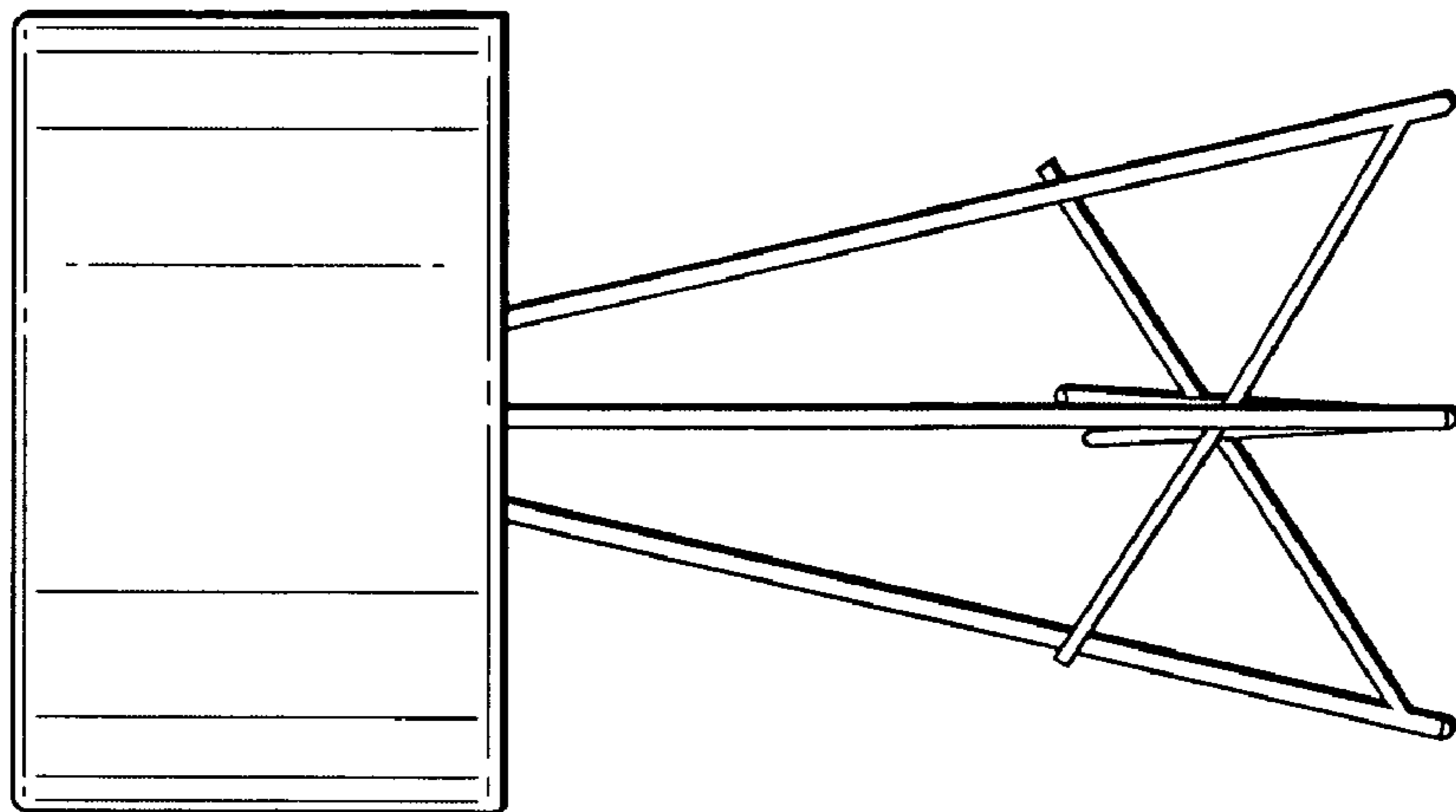


FIG. 5

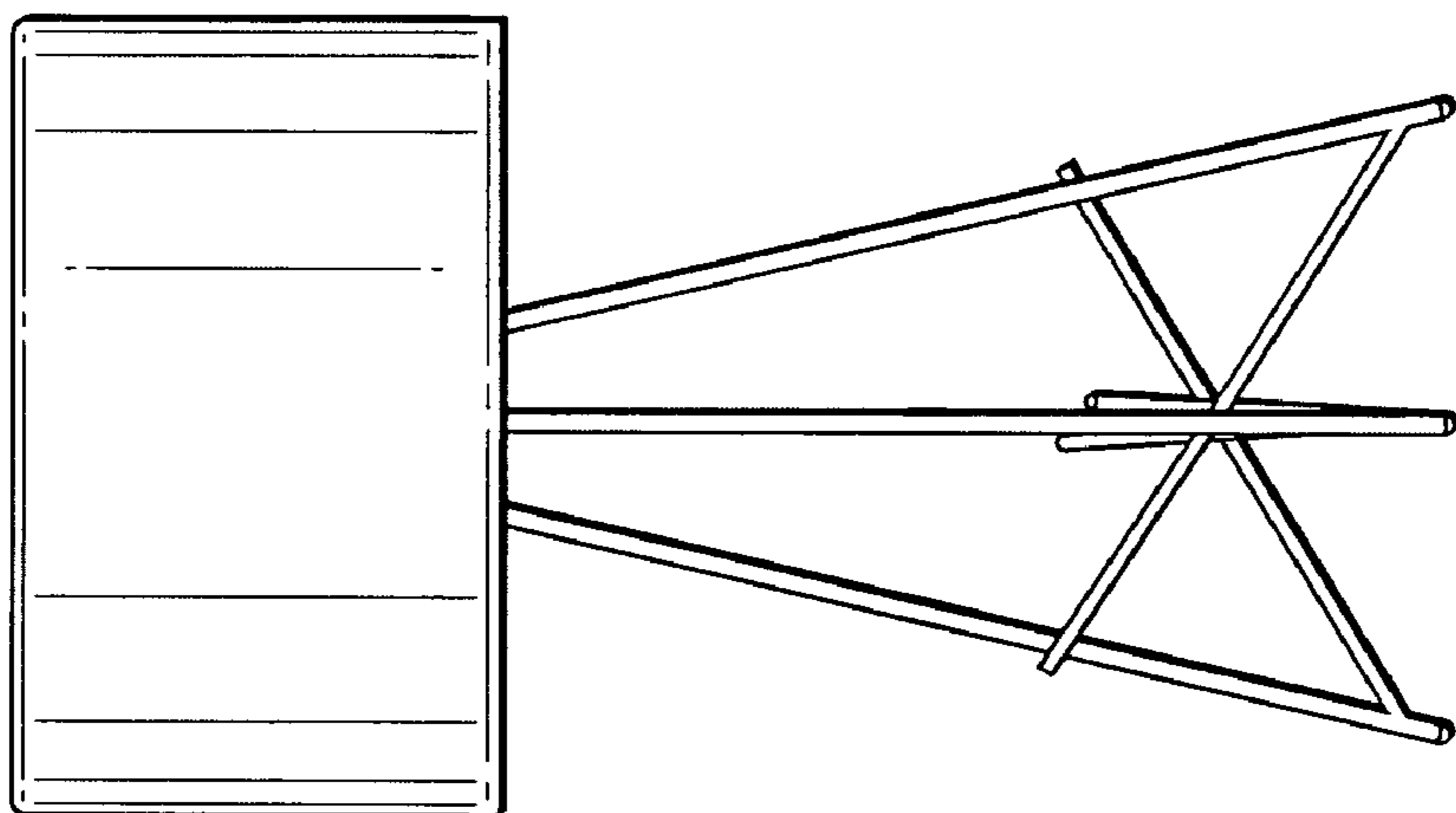


FIG. 6

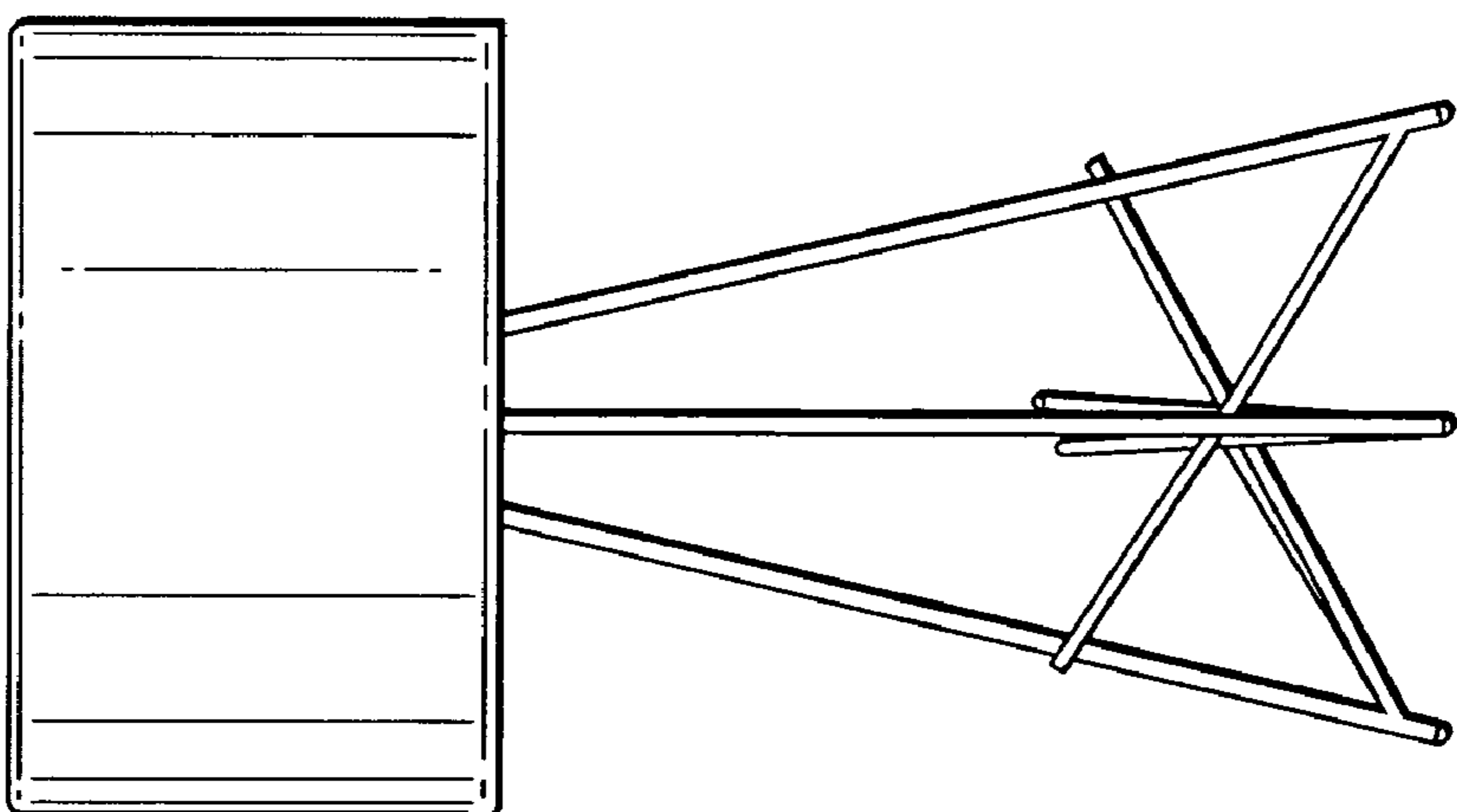


FIG. 7