



US00D575896S

(12) **United States Design Patent**
Beeson

(10) **Patent No.:** **US D575,896 S**

(45) **Date of Patent:** **** Aug. 26, 2008**

(54) **LIGHT BOX**

D442,320 S * 5/2001 Pudlowski et al. D26/94
D447,893 S * 9/2001 Simonelli et al. D6/486

(75) Inventor: **James A. Beeson**, 4812 Wasson Rd., Big Spring, TX (US) 79720

(73) Assignee: **James A. Beeson**, Big Spring, TX (US)

(**) Term: **14 Years**

(21) Appl. No.: **29/284,920**

(22) Filed: **Sep. 18, 2007**

* cited by examiner

Primary Examiner—Cathron Brooks

Assistant Examiner—Linda Brooks

(74) *Attorney, Agent, or Firm*—Michael A. O’Neil

(57) **CLAIM**

The ornamental design for a light box, as shown and described.

Related U.S. Application Data

(60) Continuation of application No. 29/278,739, filed on Apr. 9, 2007, now Pat. No. Des. 554,795, which is a division of application No. 29/246,742, filed on May 8, 2006, now Pat. No. Des. 540,487.

(51) **LOC (8) Cl.** **26-03**

(52) **U.S. Cl.** **D26/94; D26/104**

(58) **Field of Classification Search** D26/51, D26/58, 93–112; 362/97, 127, 133, 134, 362/253, 410–414, 806; D6/399, 495
See application file for complete search history.

(56) **References Cited**

U.S. PATENT DOCUMENTS

D270,399 S * 9/1983 Miller D6/399

DESCRIPTION

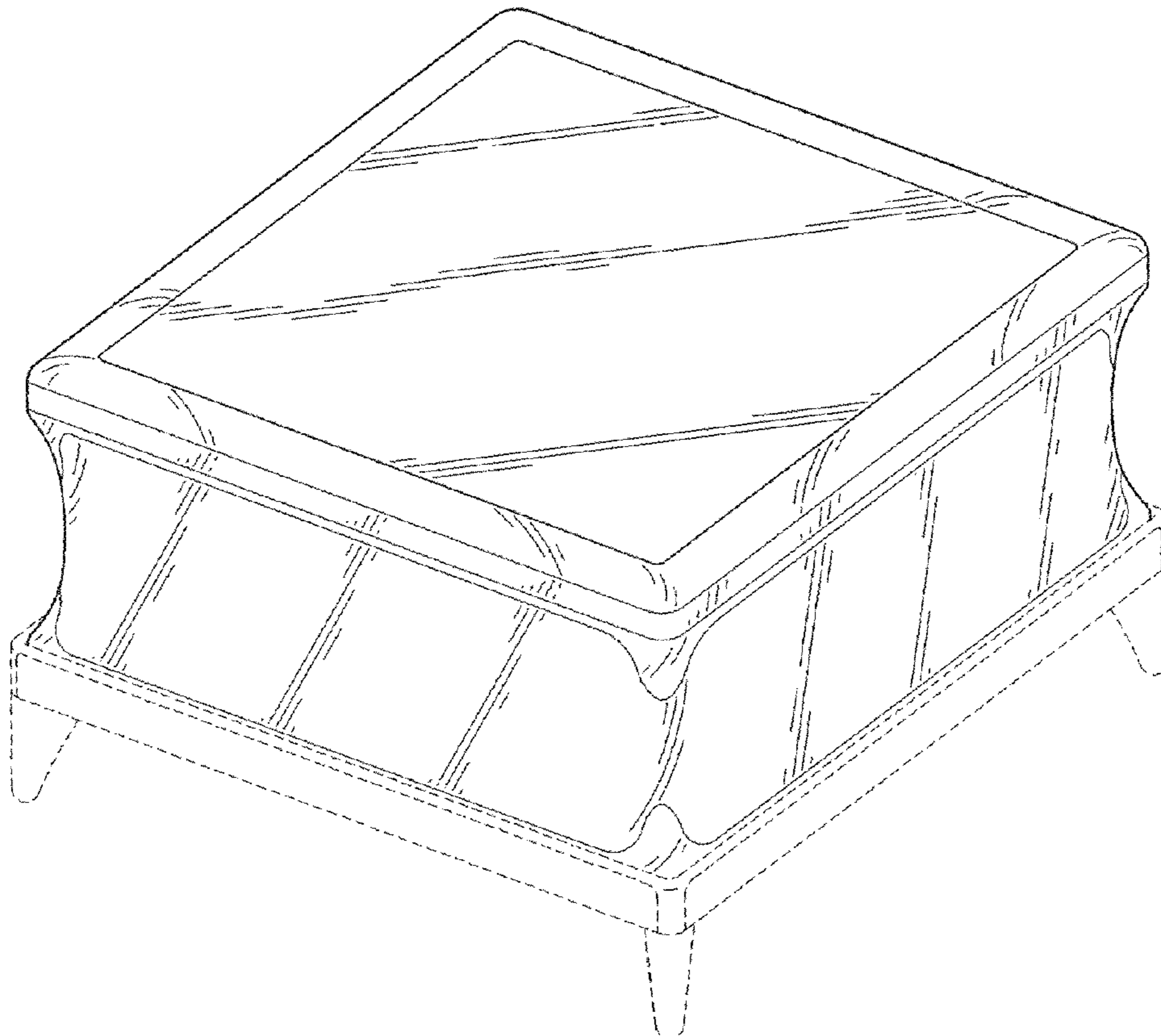
FIG. 1 is a top perspective view of a light box showing my new design, shown sitting in a base which is shown in broken lines and forms no part of the claimed design;

FIG. 2 is a top perspective view of the light box of FIG. 1, showing my new design;

FIG. 3 is a side view of the light box of FIG. 2, with all side views being identical; and,

FIG. 4 is a top view of the light box of FIGS. 1 and 2, with the bottom view being identical.

1 Claim, 3 Drawing Sheets



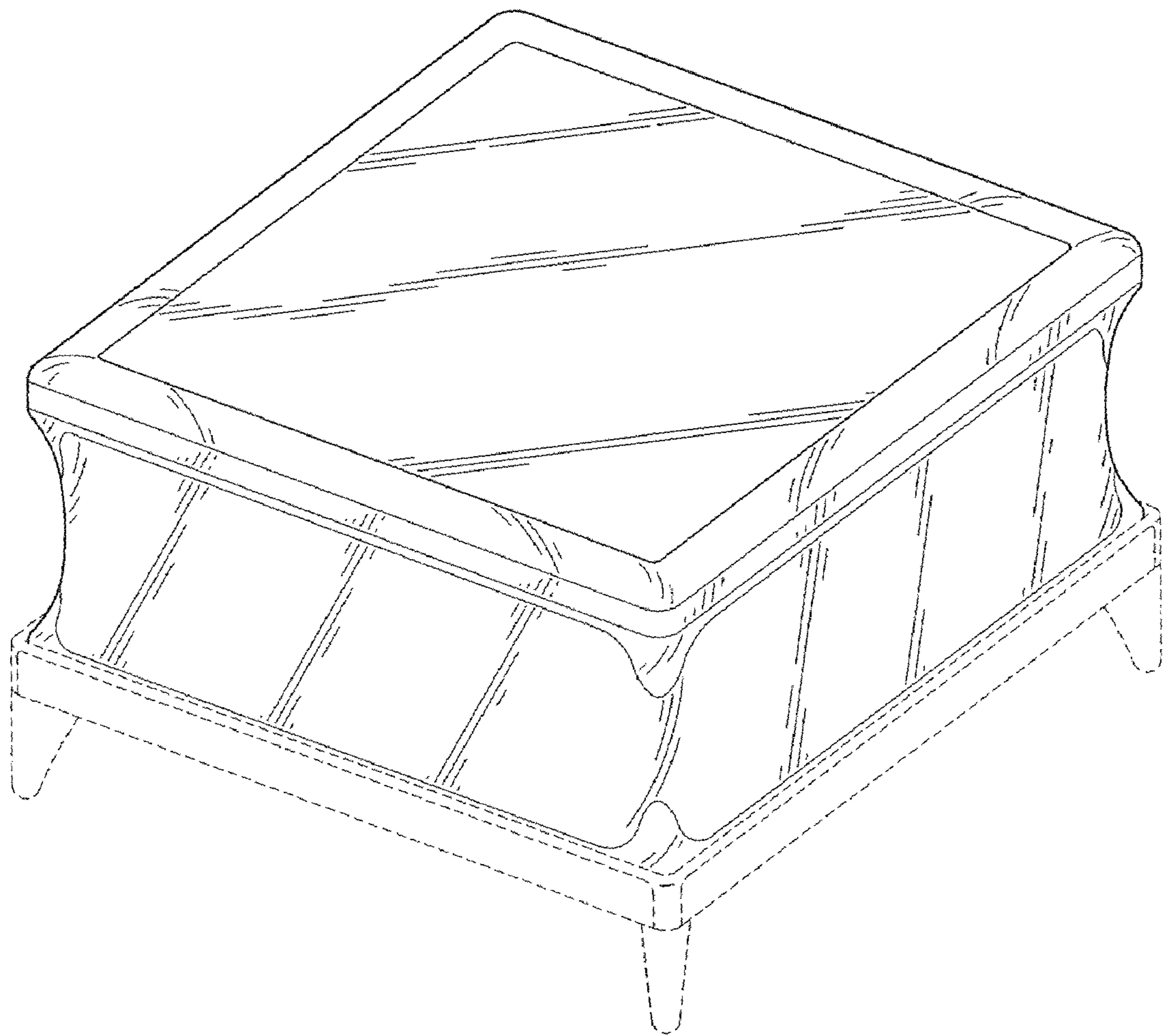


FIG. 1

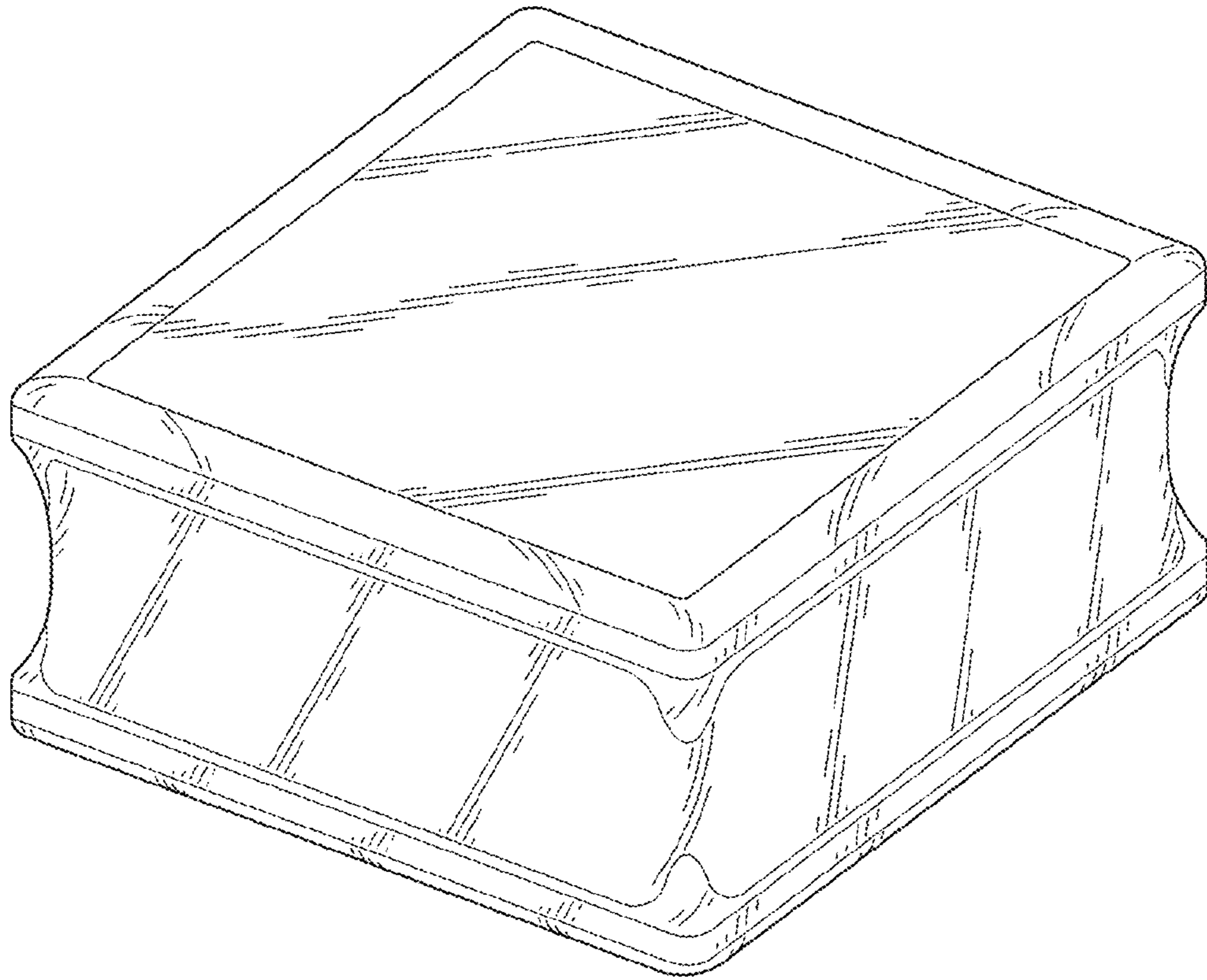


FIG. 2

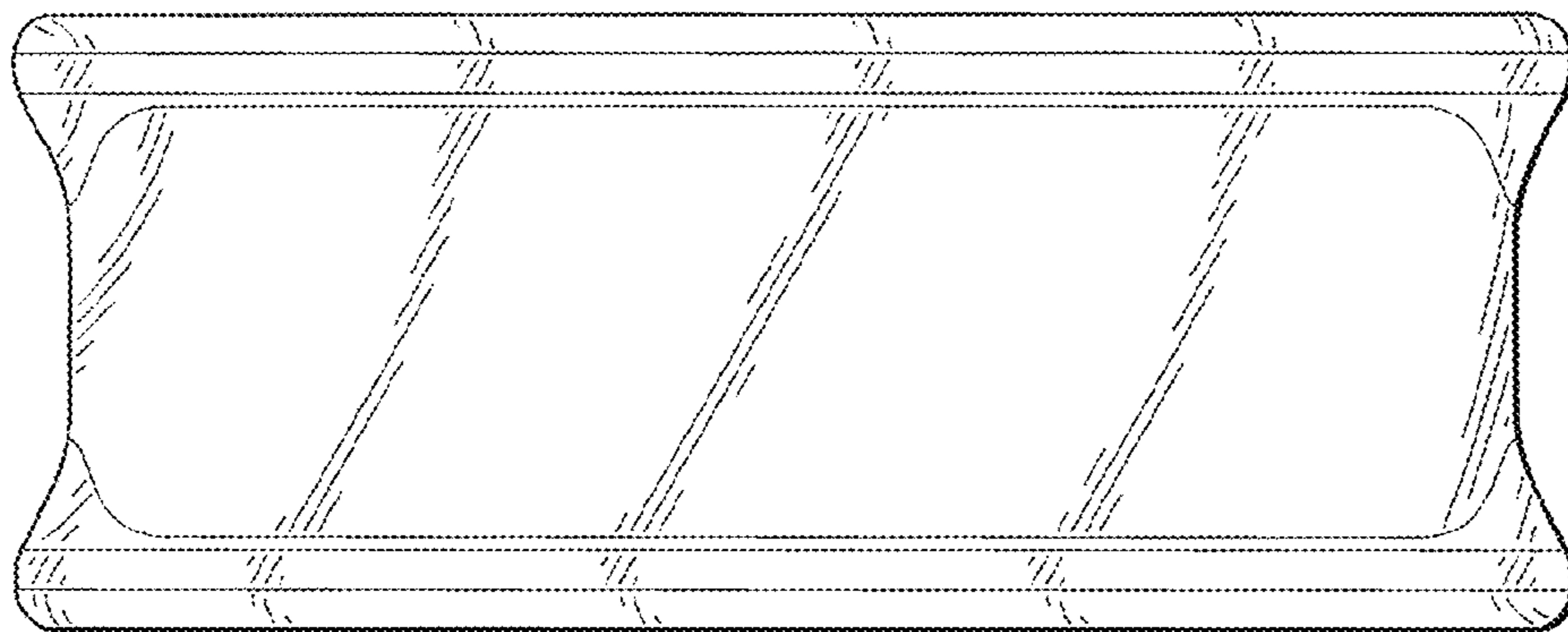


FIG. 3

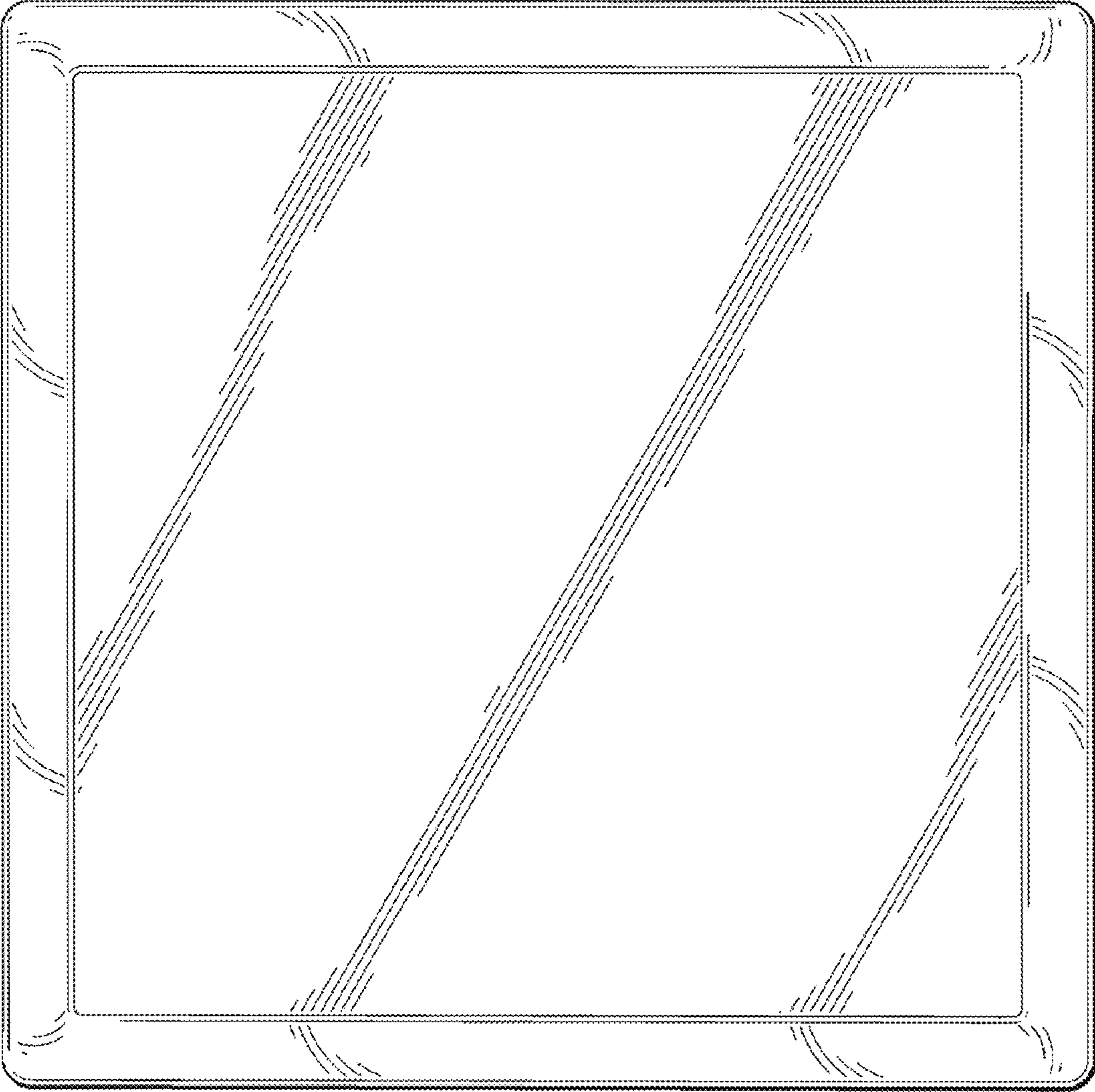


FIG. 4