



US00D575895S

(12) **United States Design Patent**  
**Van De Poel**

(10) **Patent No.:** **US D575,895 S**

(45) **Date of Patent:** **\*\* Aug. 26, 2008**

(54) **SPOT LAMP**

(75) Inventor: **Gunther Van De Poel**, Waanrode (BE)

(73) Assignee: **Flowil International Lighting (Holding) B.V.**, Amsterdam (NL)

(\*\*) Term: **14 Years**

(21) Appl. No.: **29/287,790**

(22) Filed: **Sep. 20, 2007**

(30) **Foreign Application Priority Data**

Mar. 20, 2007 (EP) ..... 691431-0001

(51) **LOC (8) Cl.** ..... **26-03**

(52) **U.S. Cl.** ..... **D26/88**

(58) **Field of Classification Search** ..... D26/71,  
D26/72, 85, 87-89, 92; 362/147, 431, 432,  
362/371, 375, 340

See application file for complete search history.

(56) **References Cited**

**U.S. PATENT DOCUMENTS**

D57,419 S \* 3/1921 Adam ..... D26/88

1,607,413 A \* 11/1926 Tillson ..... 362/347  
D94,686 S \* 2/1935 Guild et al. .... D26/88  
D100,102 S \* 6/1936 Halvorson ..... D26/85  
D226,217 S \* 1/1973 Anderson, Jr. .... D26/88  
D254,215 S \* 2/1980 Yahraus et al. .... D26/89  
D343,244 S \* 1/1994 Belisle ..... D26/85  
D354,580 S \* 1/1995 Fouke et al. .... D26/88

\* cited by examiner

*Primary Examiner*—Clare E Heflin

(74) *Attorney, Agent, or Firm*—Jean C. Edwards, Esq.;  
Akerman Senterfitt

(57) **CLAIM**

I claim the ornamental design for a spot lamp, as shown and described.

**DESCRIPTION**

FIG. 1 is a perspective view of the spot lamp showing the new design;

FIG. 2 is a right side view of the design of FIG. 1, which is a mirror image of the left side view of the design of FIG. 1; and,

FIG. 3 is a top view of the design of FIG. 1.

**1 Claim, 3 Drawing Sheets**

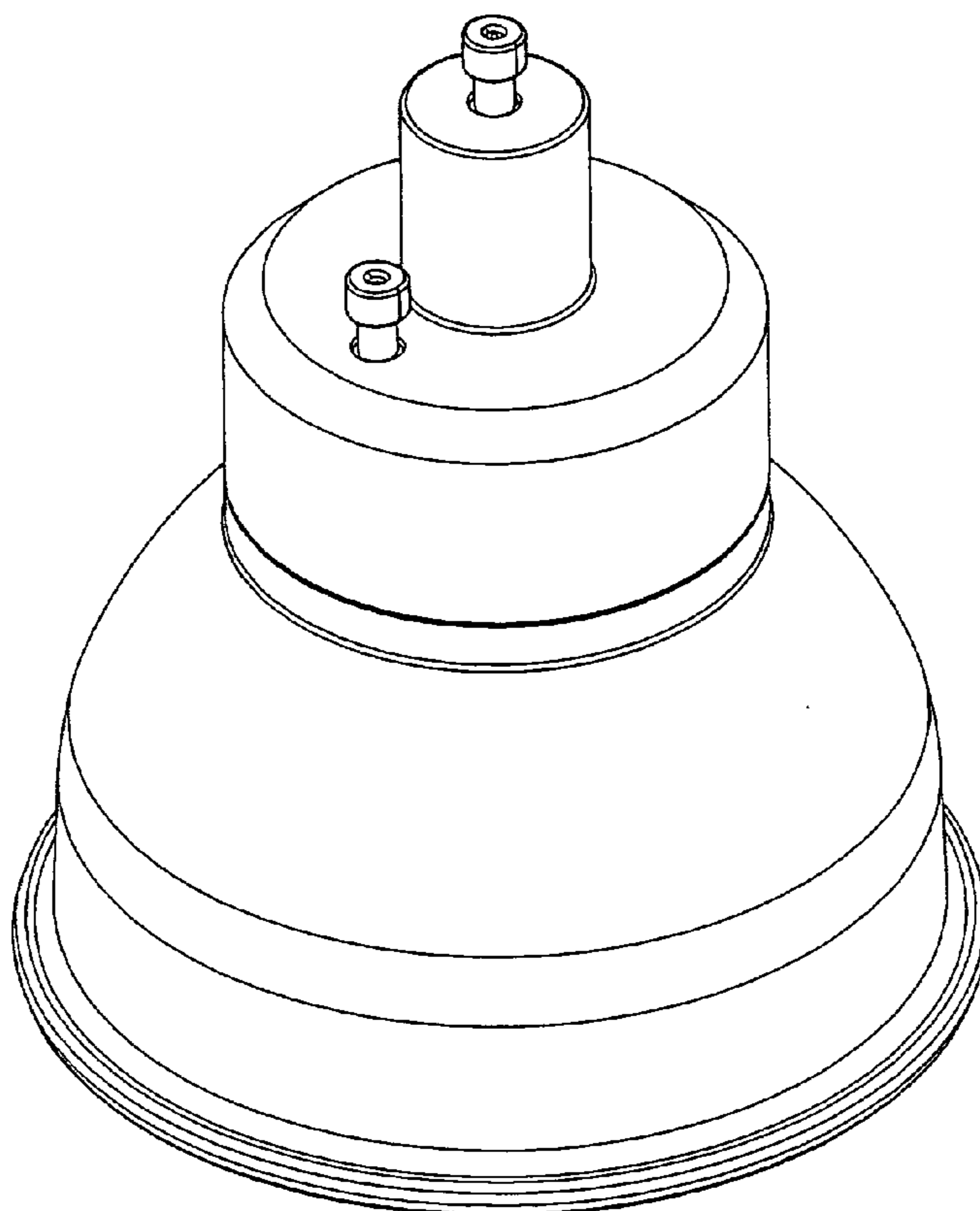


Figure 1

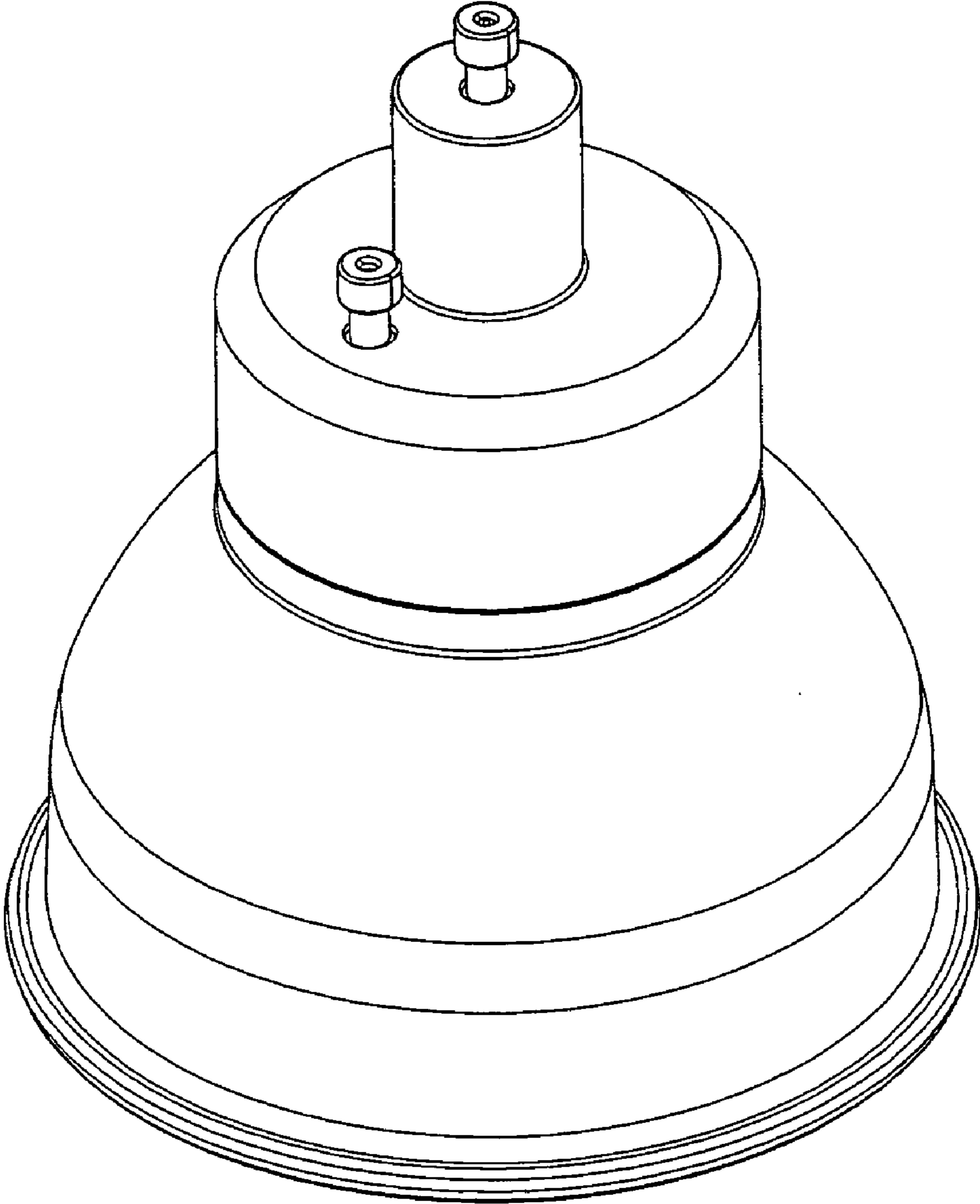


Figure 2

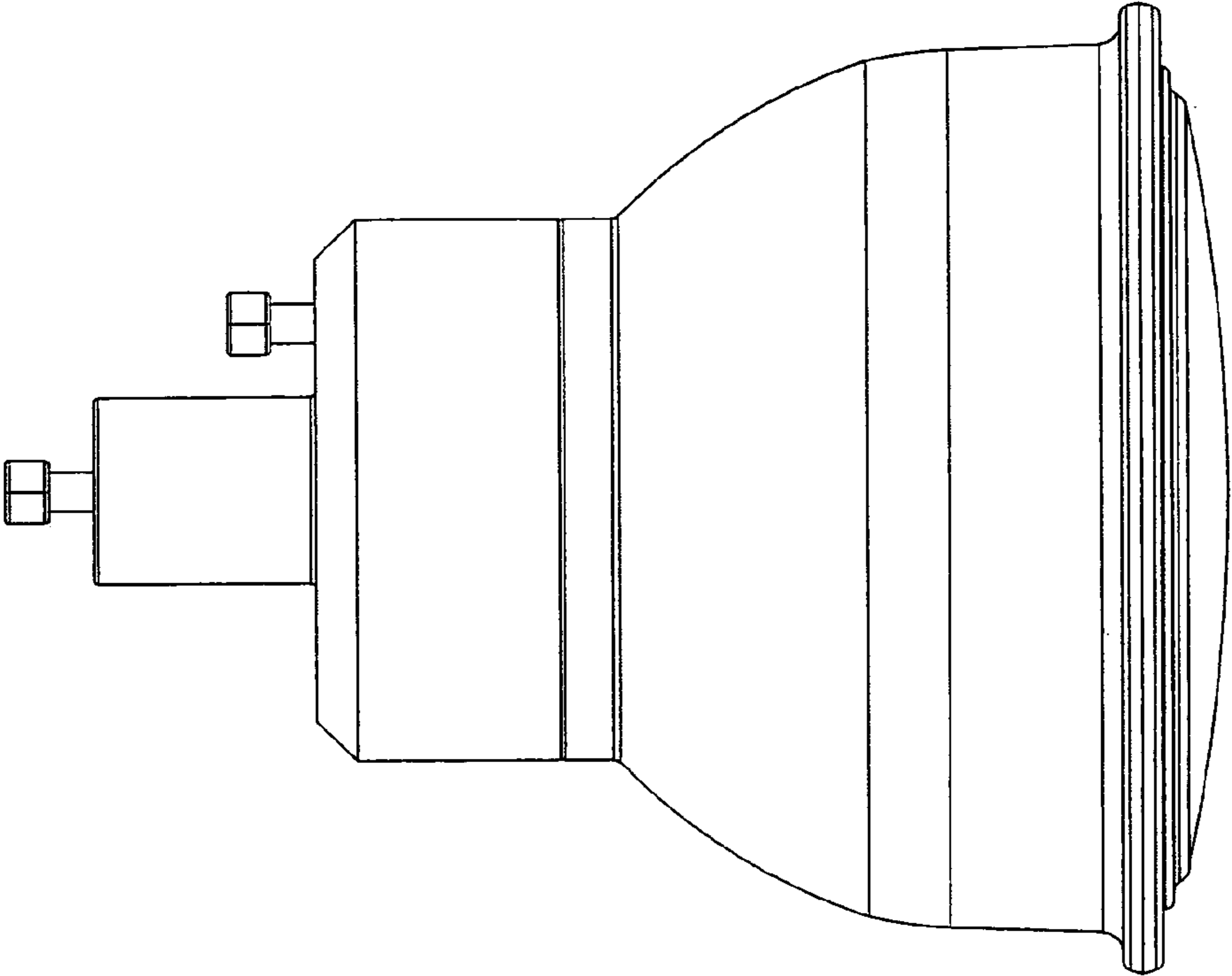


Figure 3

