



US00D575892S

(12) **United States Design Patent**
Chandler

(10) **Patent No.:** **US D575,892 S**

(45) **Date of Patent:** **** Aug. 26, 2008**

(54) **LAMP**

(75) Inventor: **George Chandler**, Hubbardton, VT (US)

(73) Assignee: **Hubbardton Forge, LLC**, Castleton, VT (US)

(**) Term: **14 Years**

(21) Appl. No.: **29/297,241**

(22) Filed: **Nov. 7, 2007**

(51) **LOC (8) Cl.** **26-03**

(52) **U.S. Cl.** **D26/84; D26/76**

(58) **Field of Classification Search** D26/72,
D26/75, 76, 80-92, 142-144; 362/147, 404-408
See application file for complete search history.

(56) **References Cited**

U.S. PATENT DOCUMENTS

1,746,024	A	*	2/1930	Brandt, Sr.	313/358
D501,270	S	*	1/2005	Lee	D26/86
D510,452	S	*	10/2005	Porter	D26/80
D536,820	S	*	2/2007	Crosby	D26/84

OTHER PUBLICATIONS

Pendant Lamp #00846-37 shown on p. 130 of the World Imports Catalog 26. (c)2004.*

Pendant lamps 3031-NI and 1780-NI shown on p. 183 of the Kichler Catalog #104. (c)2004.*

* cited by examiner

Primary Examiner—Clare E Heflin

(74) *Attorney, Agent, or Firm*—Bourque and Associates

(57) **CLAIM**

The ornamental design for a lamp, as shown and described.

DESCRIPTION

FIG. 1 is a perspective view of the lamp according to the present invention;

FIG. 2 is a front elevation view thereof;

FIG. 3 is a rear elevation view thereof;

FIG. 4 is a left side elevation view thereof;

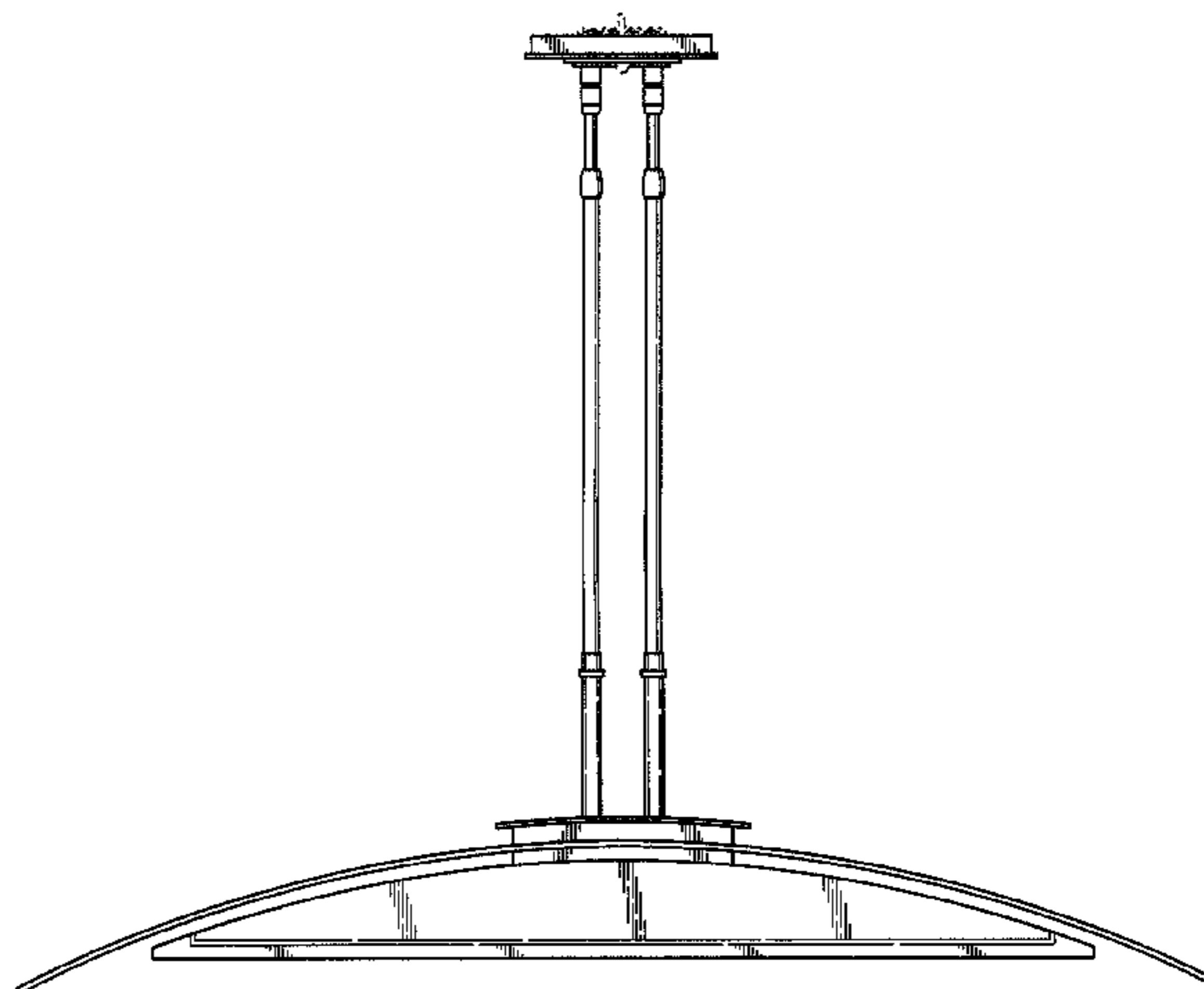
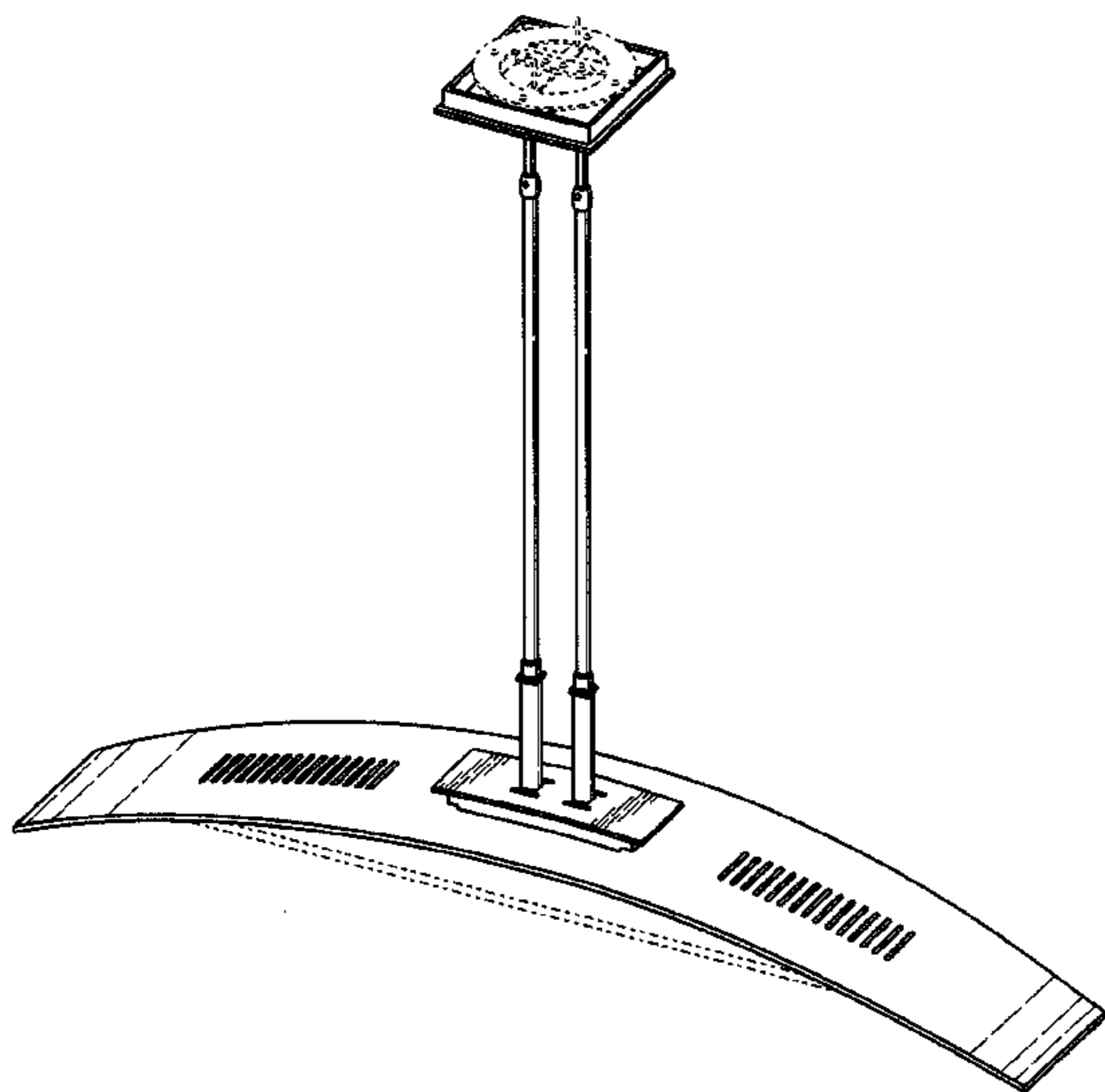
FIG. 5 is a right side elevation view thereof;

FIG. 6 is a bottom plan view thereof; and,

FIG. 7 is a top plan view thereof.

The broken lines shown are for illustrative purposes only and form no part of the claimed design.

1 Claim, 7 Drawing Sheets



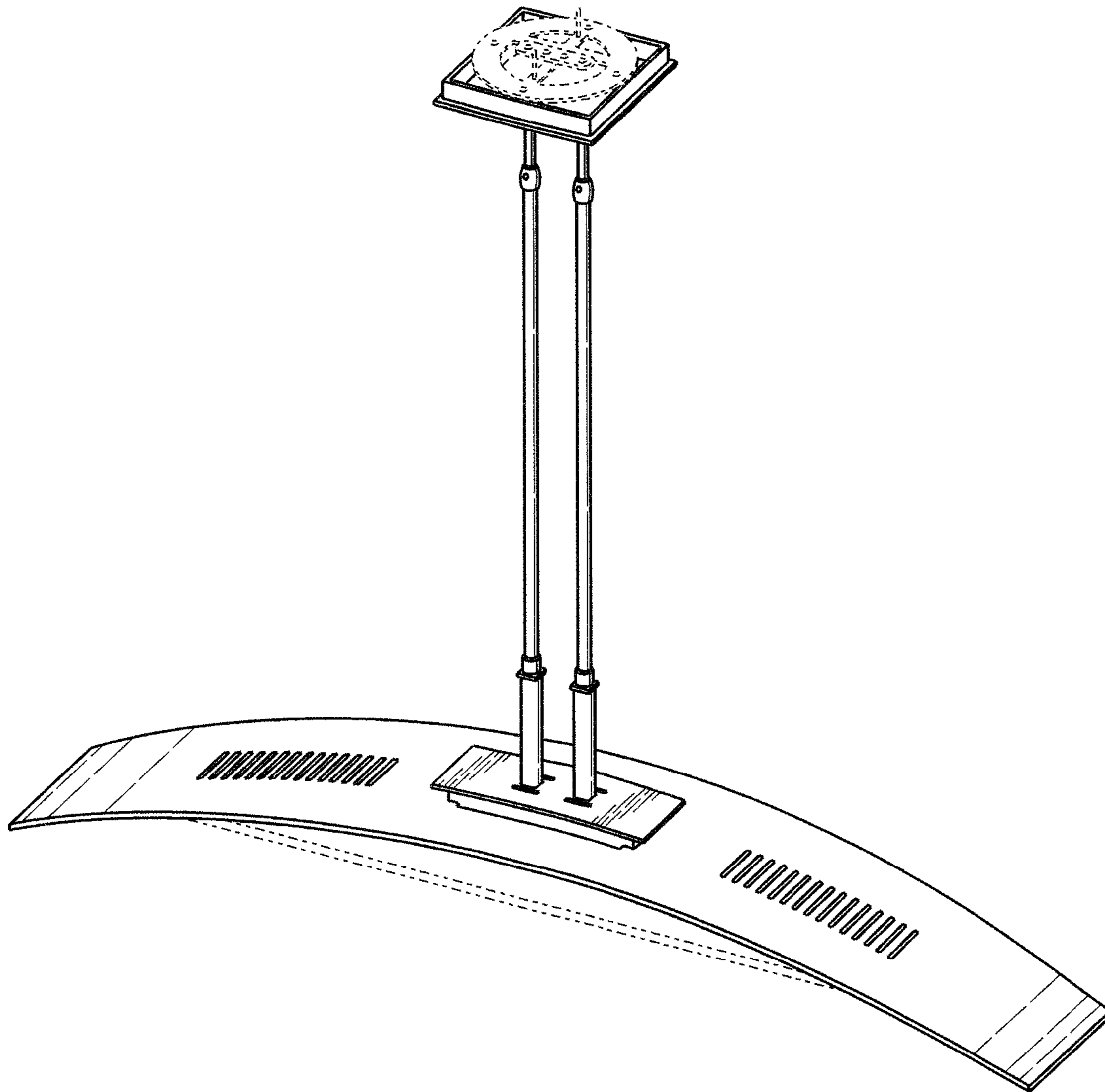


FIG. 1

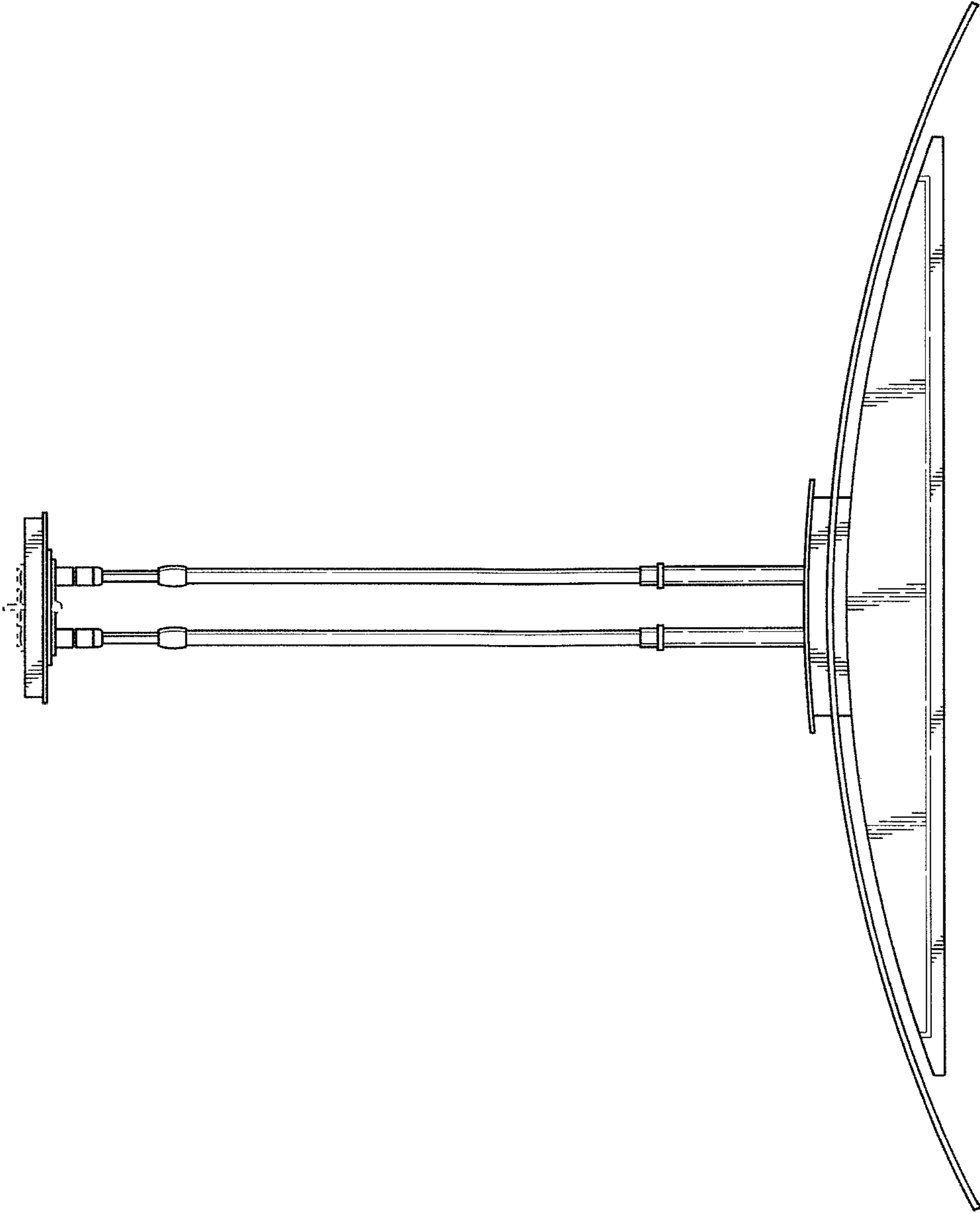


FIG. 2

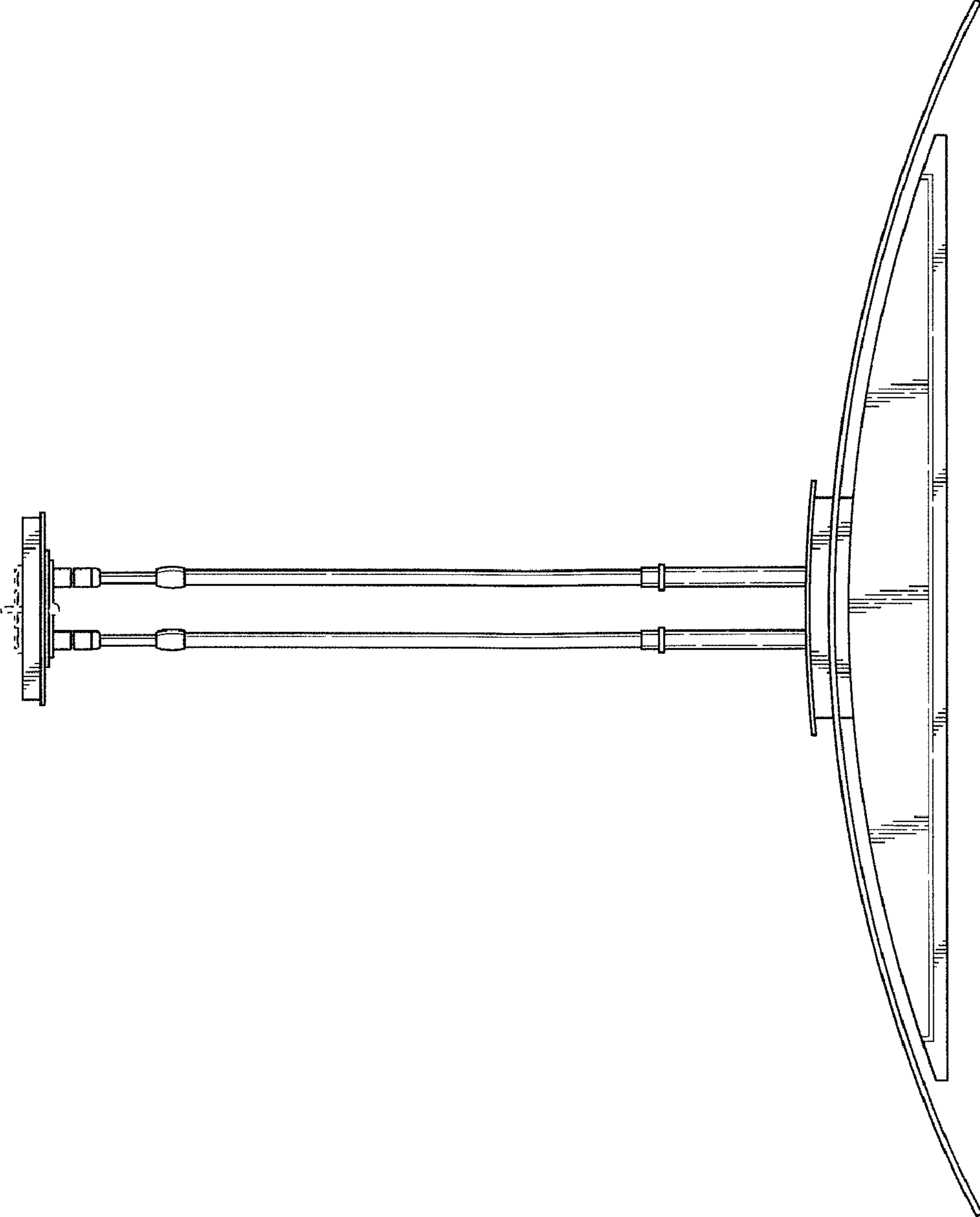


FIG. 3

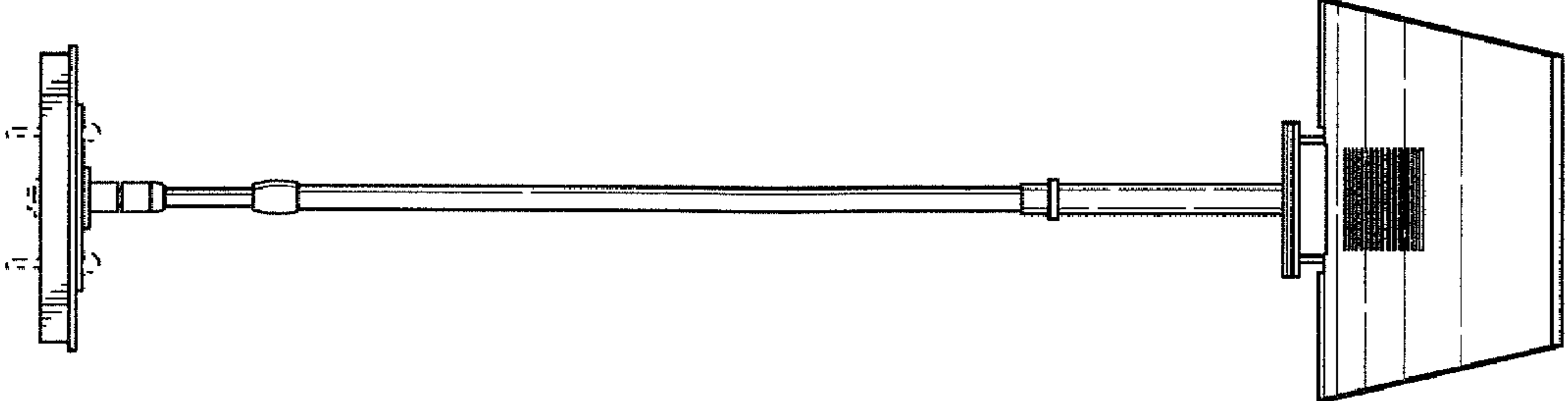


FIG. 4

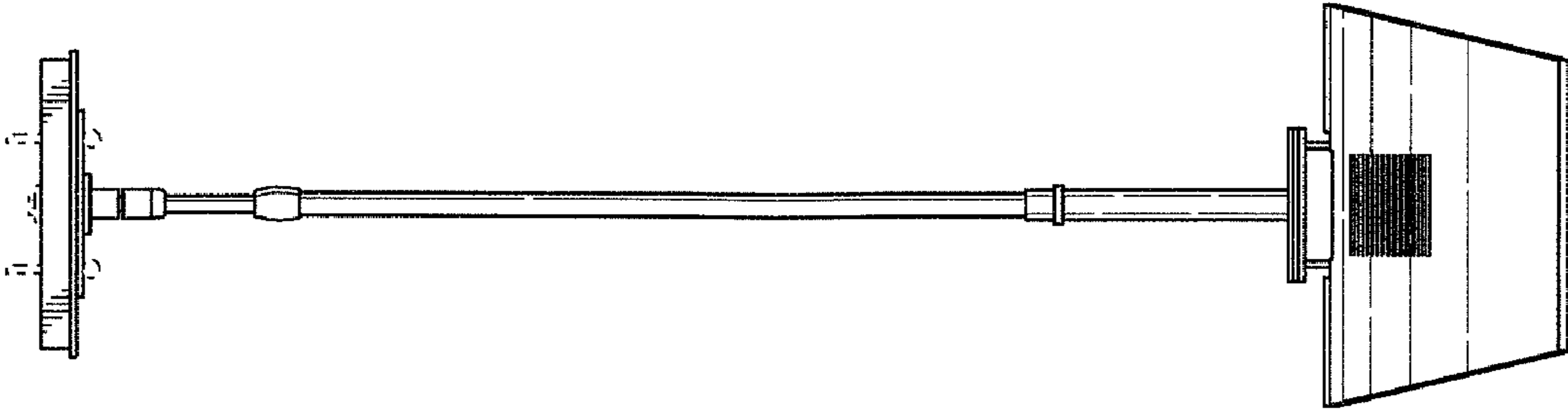


FIG. 5

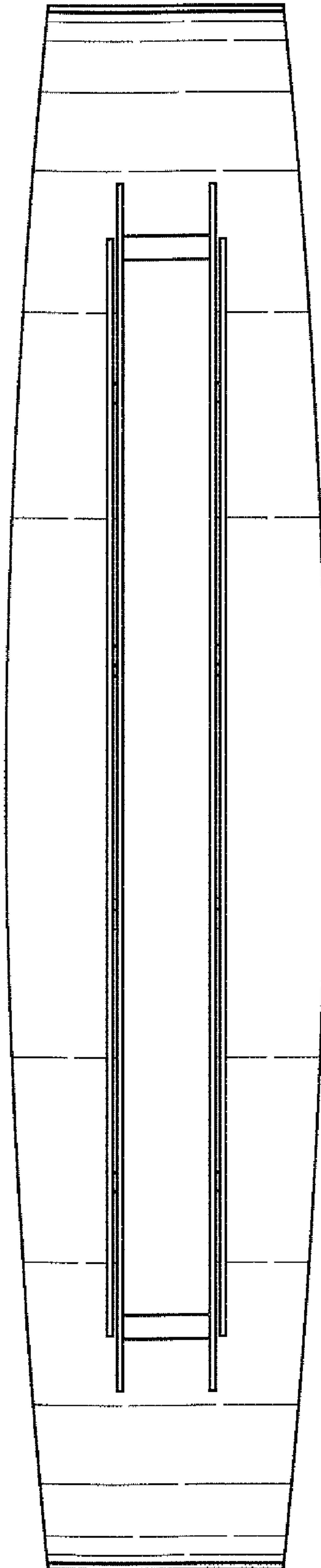


FIG. 6

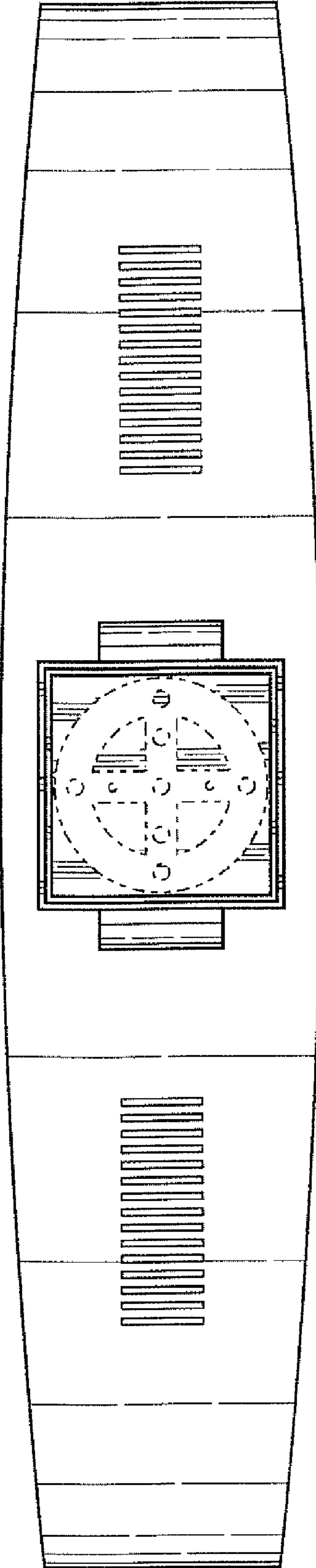


FIG. 7