



US00D575891S

(12) **United States Design Patent**  
**Calleja**

(10) **Patent No.:** **US D575,891 S**

(45) **Date of Patent:** **\*\* Aug. 26, 2008**

(54) **STAGE LIGHT**

D547,895 S \* 7/2007 Yifei ..... D26/63

(76) **Inventor:** **Michael J. Calleja**, 110 San Benito Rd.,  
Brisbane, CA (US) 94005

\* cited by examiner

*Primary Examiner*—Cathron Brooks

*Assistant Examiner*—Barbara Fox

(74) *Attorney, Agent, or Firm*—Robert Charles Hill

(\*\*) **Term:** **14 Years**

(21) **Appl. No.:** **29/294,756**

(57) **CLAIM**

(22) **Filed:** **Jan. 25, 2008**

The ornamental design for stage light, as shown and described.

(51) **LOC (8) Cl.** ..... **26-05**

(52) **U.S. Cl.** ..... **D26/63**

(58) **Field of Classification Search** ..... D26/61,  
D26/63-66, 72; 362/147, 265, 269, 275,  
362/277, 278, 281, 282, 285, 287, 288, 306,  
362/404, 418, 419, 421, 427, 640, 647, 652,  
362/653, 655

See application file for complete search history.

**DESCRIPTION**

FIG. 1 is a front perspective view of the stage light showing my new design.

FIG. 2 is a back perspective view thereof.

FIG. 3 is a top view thereof.

FIG. 4 is a bottom view thereof.

FIG. 5 is a front elevational view thereof.

FIG. 6 is a back elevational view thereof.

FIG. 7 is a left side view thereof; and,

FIG. 8 is a right side view thereof.

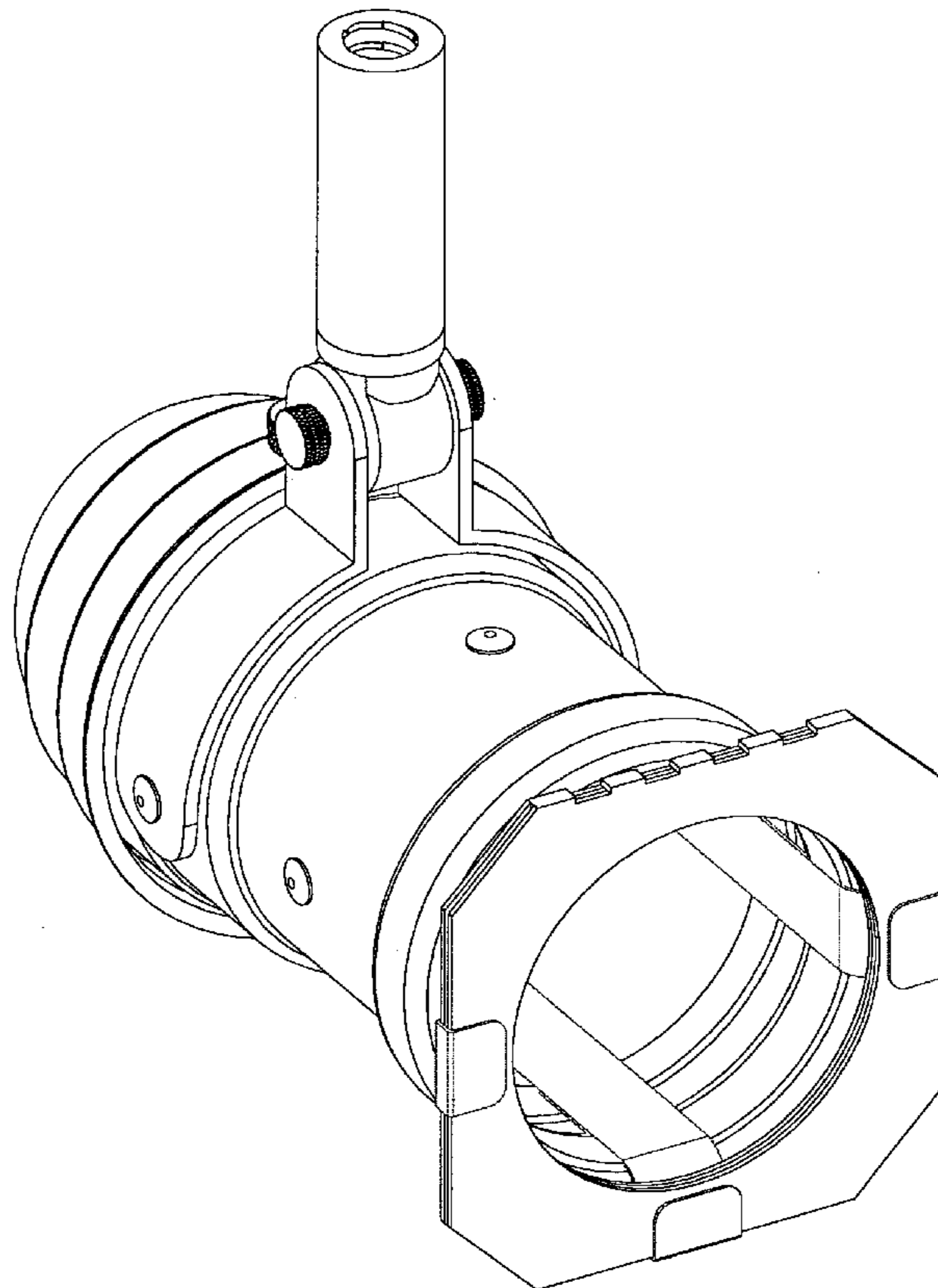
The broken lines shown in the drawings are for the purpose of illustrating portions of the stage light and form no part of the claimed design.

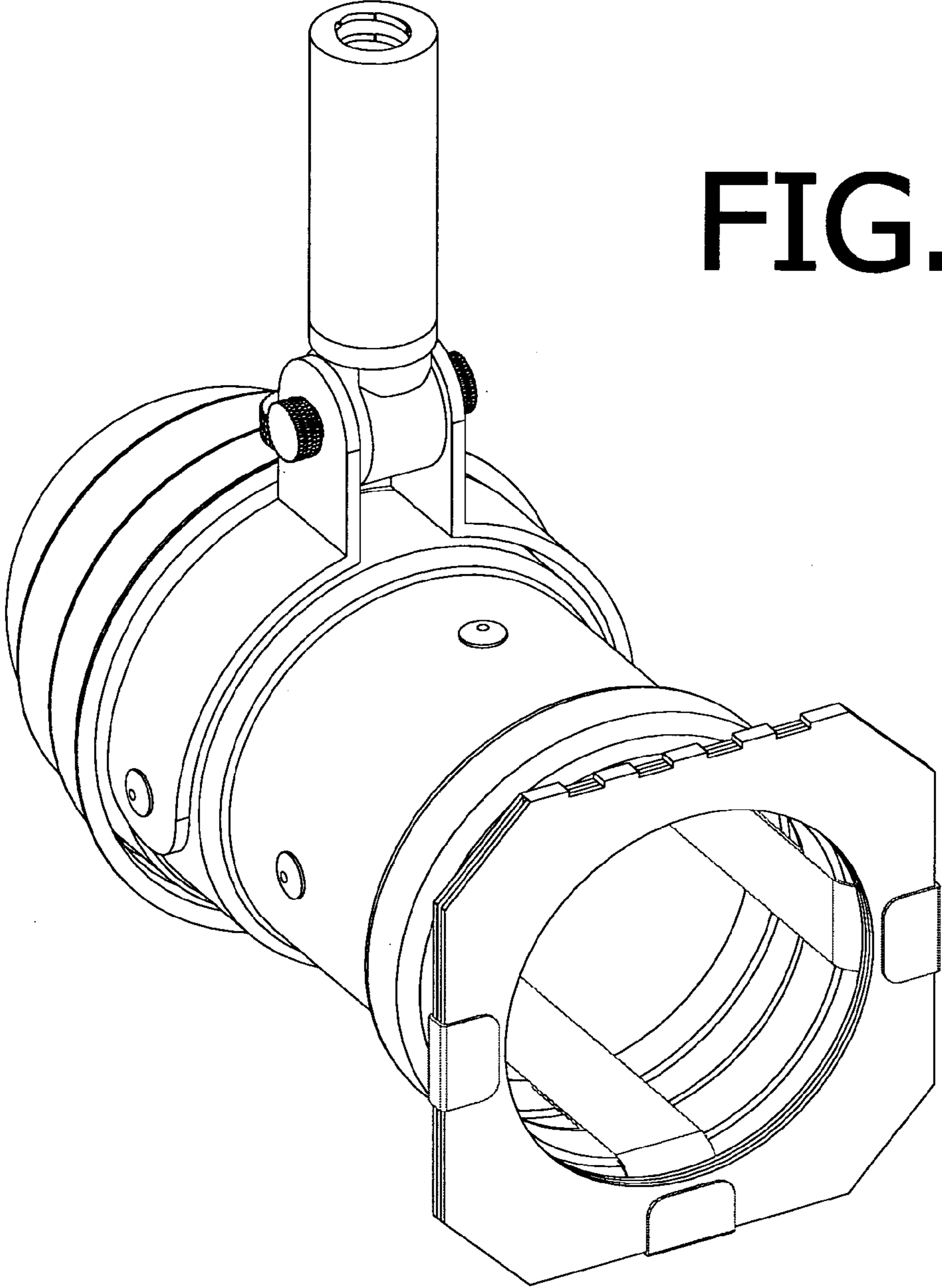
(56) **References Cited**

**U.S. PATENT DOCUMENTS**

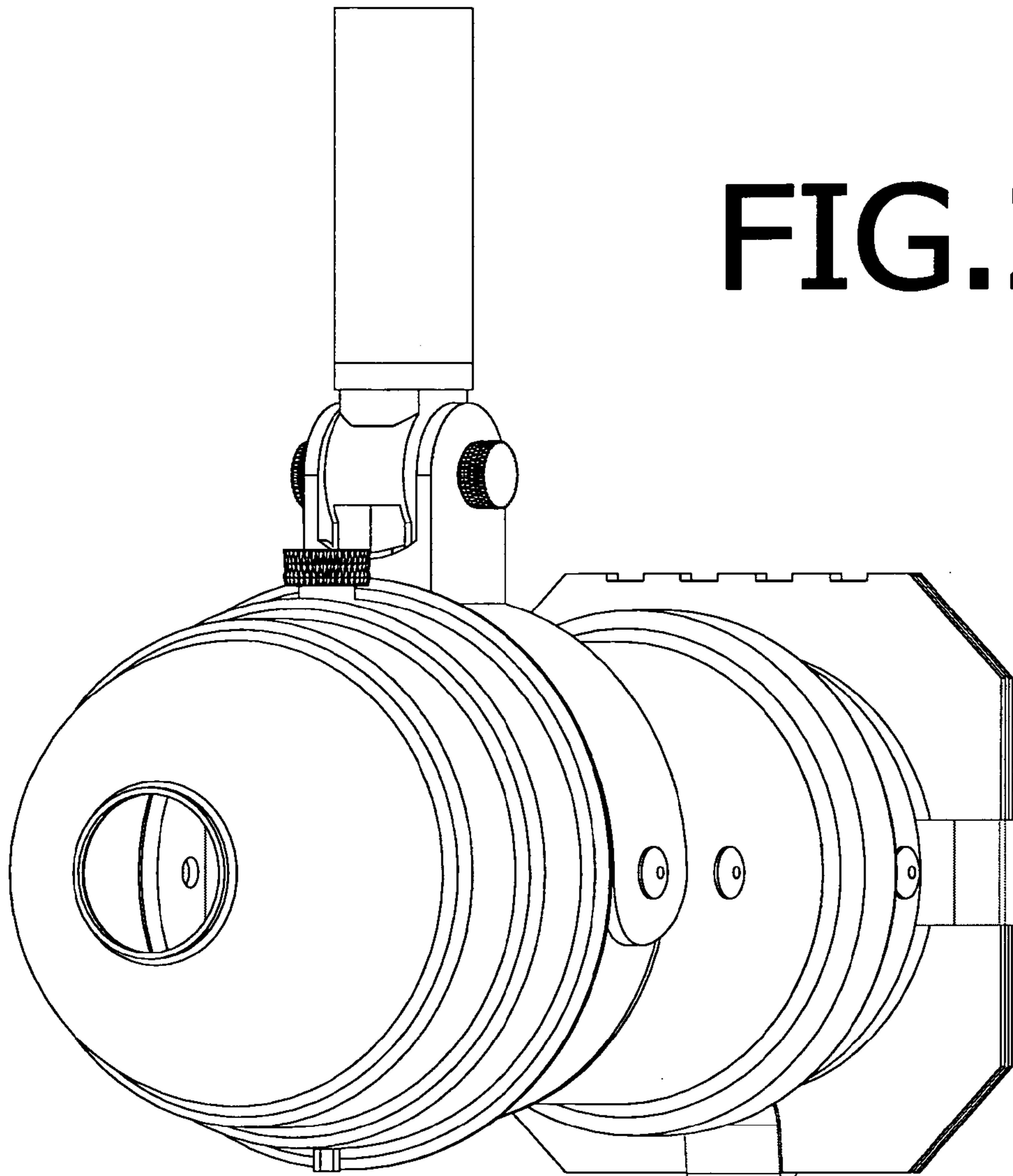
|               |         |                     |       |         |
|---------------|---------|---------------------|-------|---------|
| D316,304 S *  | 4/1991  | Court               | ..... | D26/63  |
| D336,533 S *  | 6/1993  | Hout                | ..... | D26/63  |
| 5,544,029 A * | 8/1996  | Cunningham          | ..... | 362/271 |
| D399,327 S *  | 10/1998 | Lin                 | ..... | D26/63  |
| D443,940 S *  | 6/2001  | Donato              | ..... | D26/63  |
| D461,019 S *  | 7/2002  | Donato              | ..... | D26/63  |
| D486,259 S *  | 2/2004  | Crawford et al.     | ..... | D26/51  |
| D539,460 S *  | 3/2007  | Mier-Langner et al. | ..... | D26/63  |

**1 Claim, 8 Drawing Sheets**





**FIG. 1**



**FIG. 2**

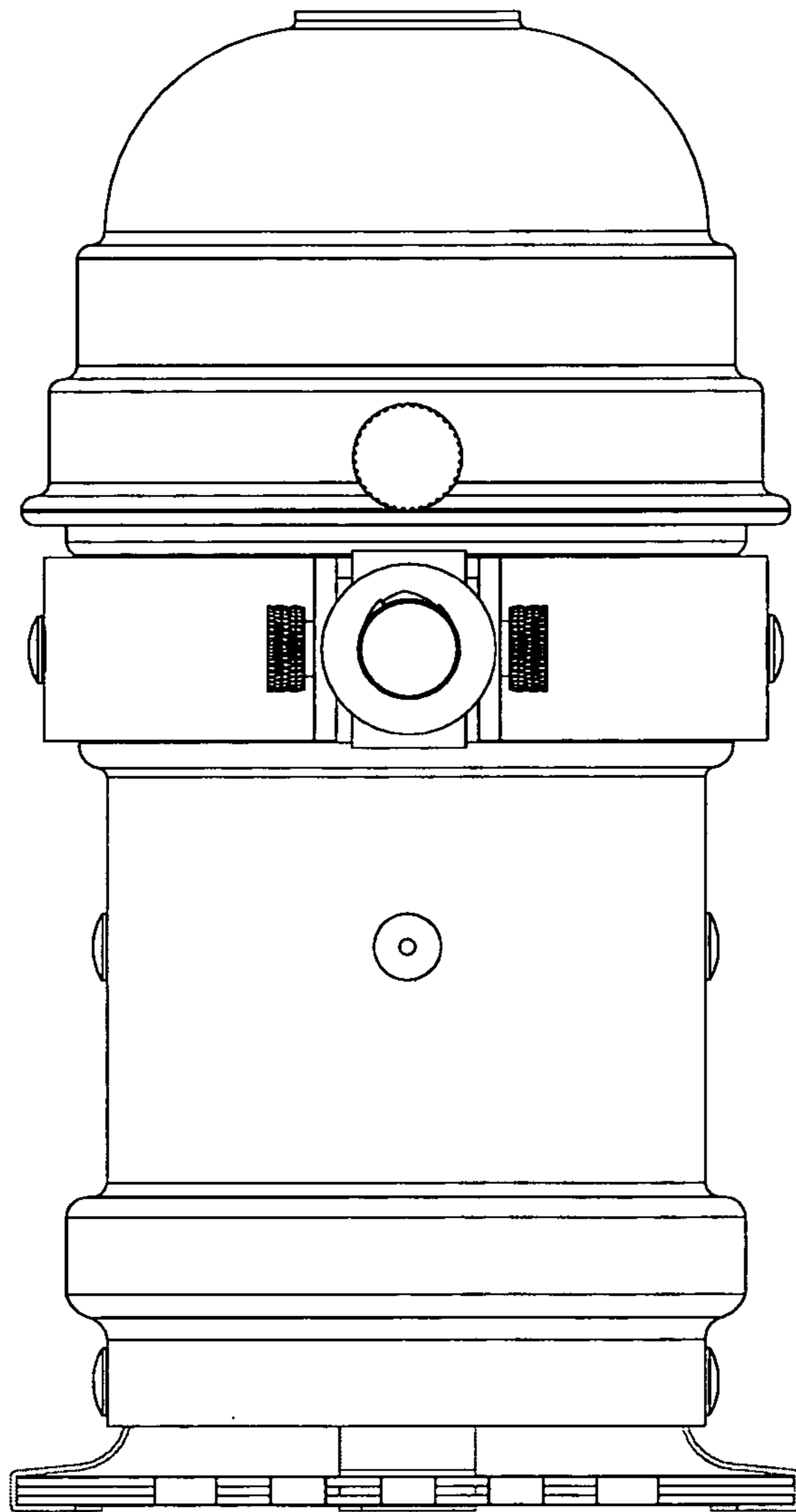


FIG.3

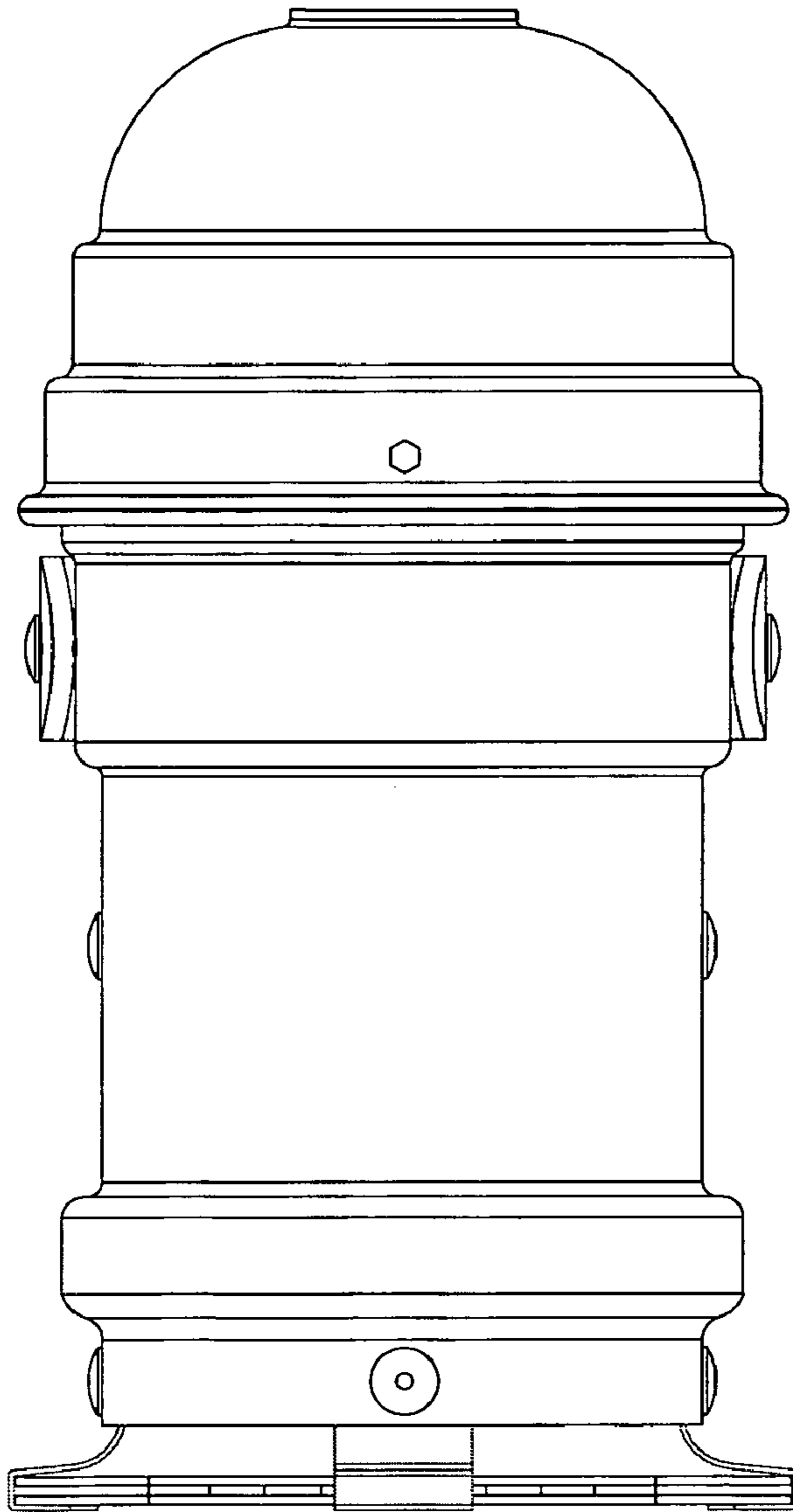


FIG. 4

FIG. 5

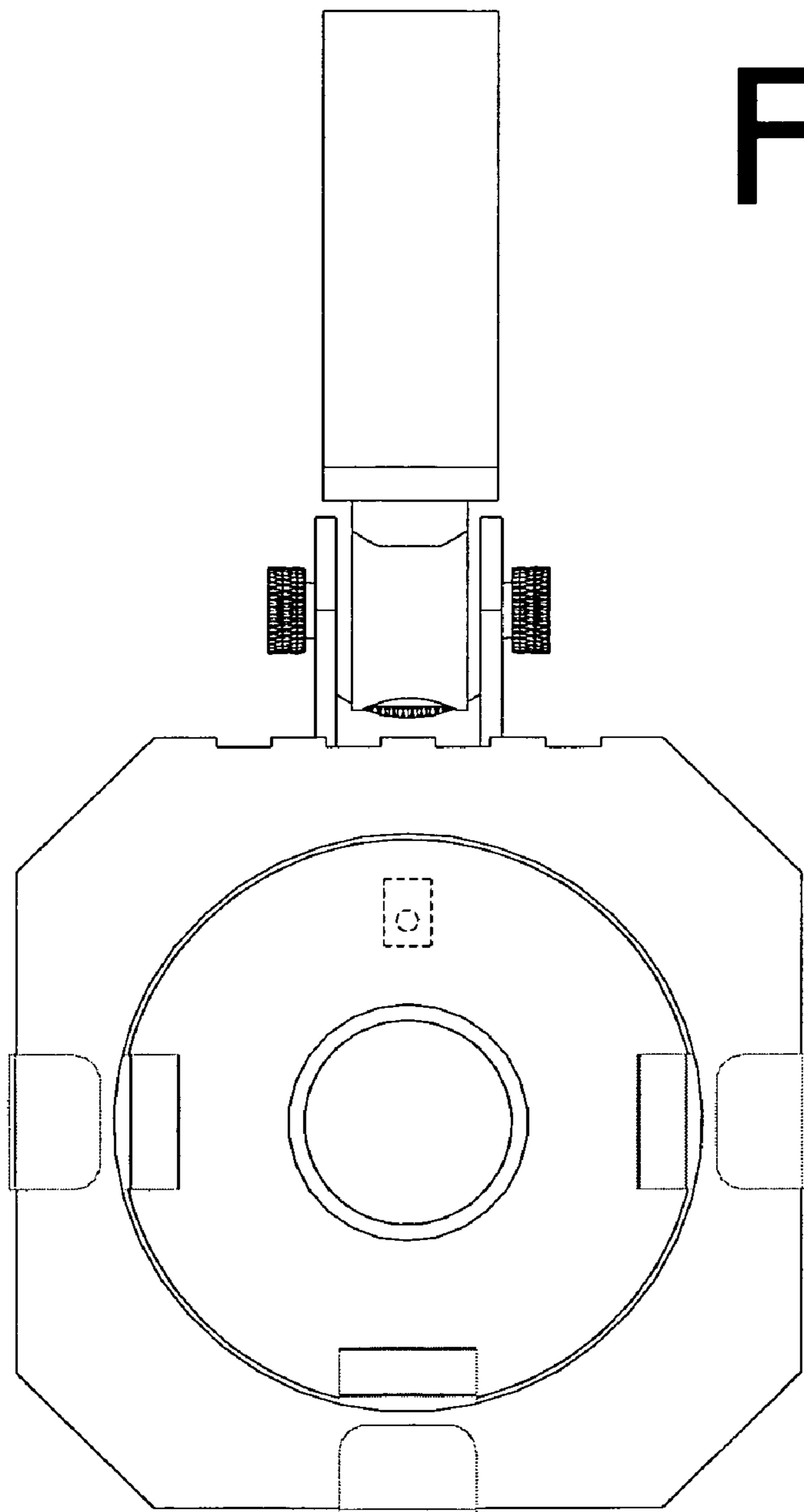


FIG. 6

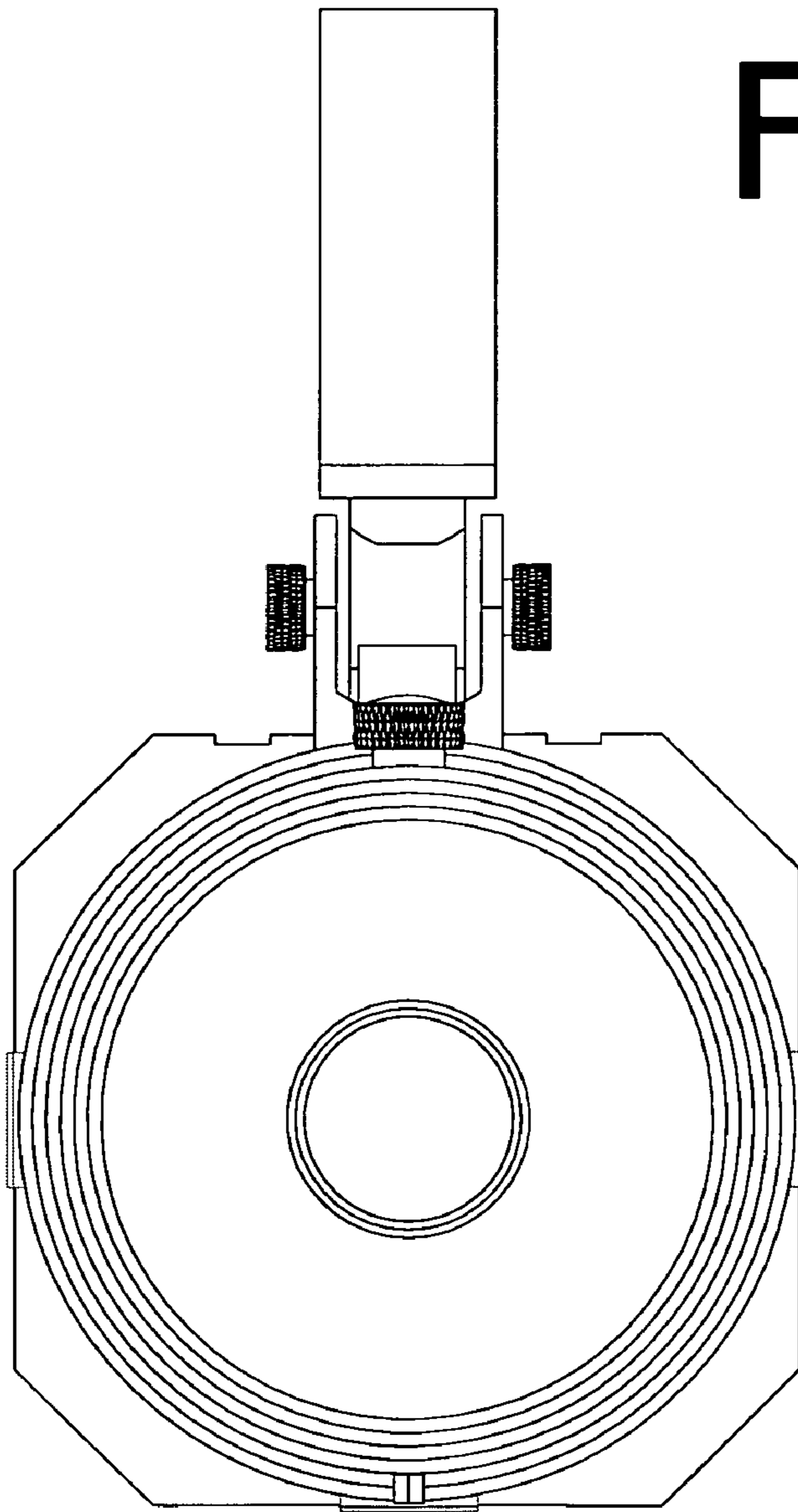


FIG. 7

