



US00D575888S

(12) **United States Design Patent**
Shiu

(10) **Patent No.:** **US D575,888 S**
(45) **Date of Patent:** **** Aug. 26, 2008**

(54) **PORTABLE LIGHT SOURCE**

D566,310 S * 4/2008 Alessio D26/39

(75) Inventor: **Stephanie Wai Man Shiu**, Kowloon
(HK)

* cited by examiner

Primary Examiner—Marcus A. Jackson

(73) Assignee: **Gold Coral International Limited**, San
Po Kong, Kowloon (HK)

(74) *Attorney, Agent, or Firm*—Joseph G. Swan, PC

(**) Term: **14 Years**

(57) **CLAIM**

The ornamental design for a portable light source, as shown
and described.

(21) Appl. No.: **29/302,602**

(22) Filed: **Jan. 20, 2008**

DESCRIPTION

(30) **Foreign Application Priority Data**

Jul. 24, 2007 (HK) 0701917

FIG. 1 is a front elevational view of a portable light source, as
attached to a head strap, according to the present invention.

(51) **LOC (8) Cl.** **26-02**

(52) **U.S. Cl.** **D26/39**

FIG. 2 is a front elevational view of the portable light source.

(58) **Field of Classification Search** D26/37-50;
362/157, 158, 171-174, 183-208

FIG. 3 is a rear elevational view of the portable light source.

See application file for complete search history.

FIG. 4 is a right side elevational view of the portable light
source.

FIG. 5 is a left side elevational view of the portable light
source.

(56) **References Cited**

U.S. PATENT DOCUMENTS

D554,782 S * 11/2007 Shiu D26/39

D556,927 S * 12/2007 Shiu D26/39

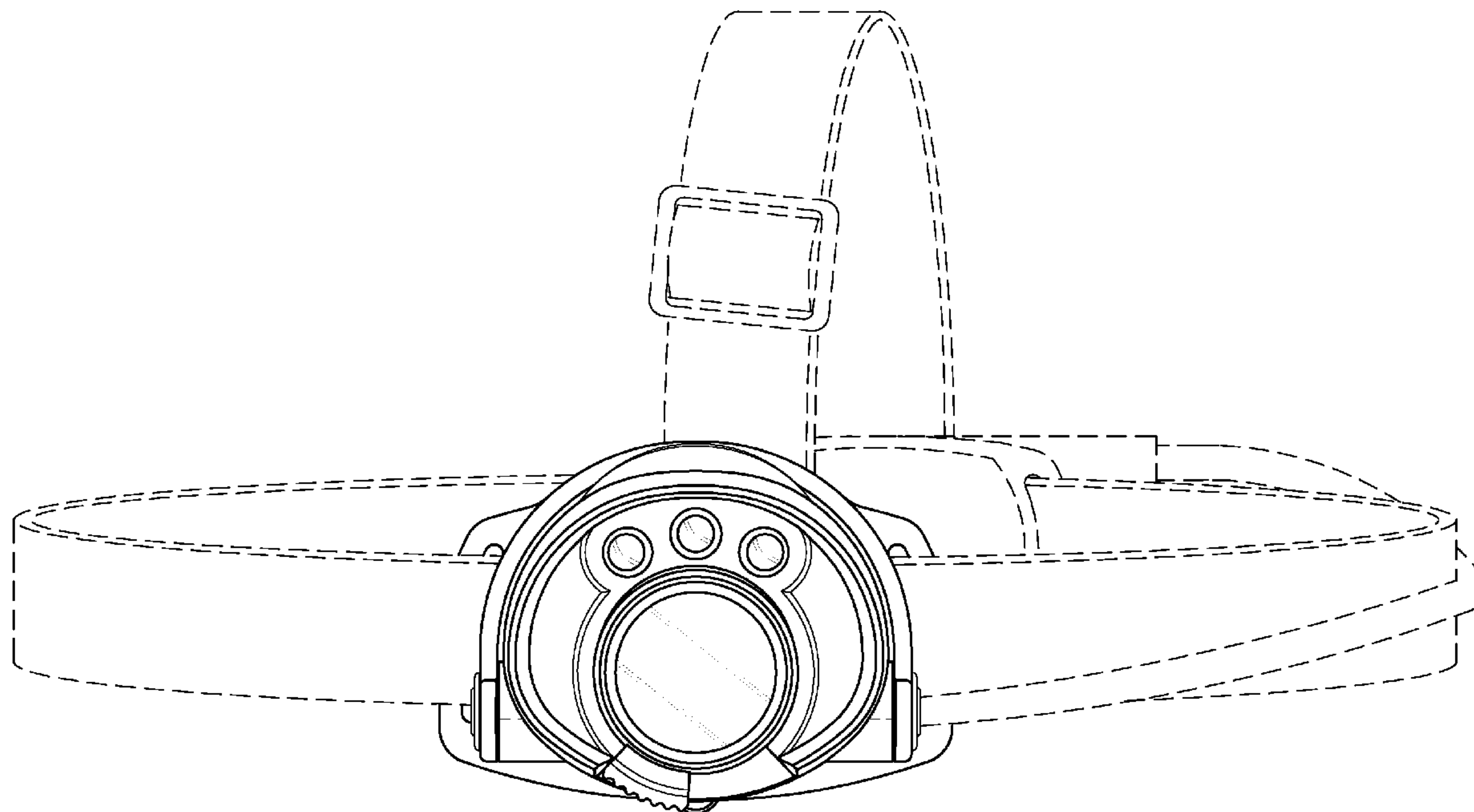
D560,008 S * 1/2008 Poon D26/39

FIG. 6 is a top plan view of the portable light source; and,

FIG. 7 is a bottom plan view of the portable light source.

The portions shown in broken lines are solely for the purpose
of illustrating context and form no part of the claimed design.

1 Claim, 4 Drawing Sheets



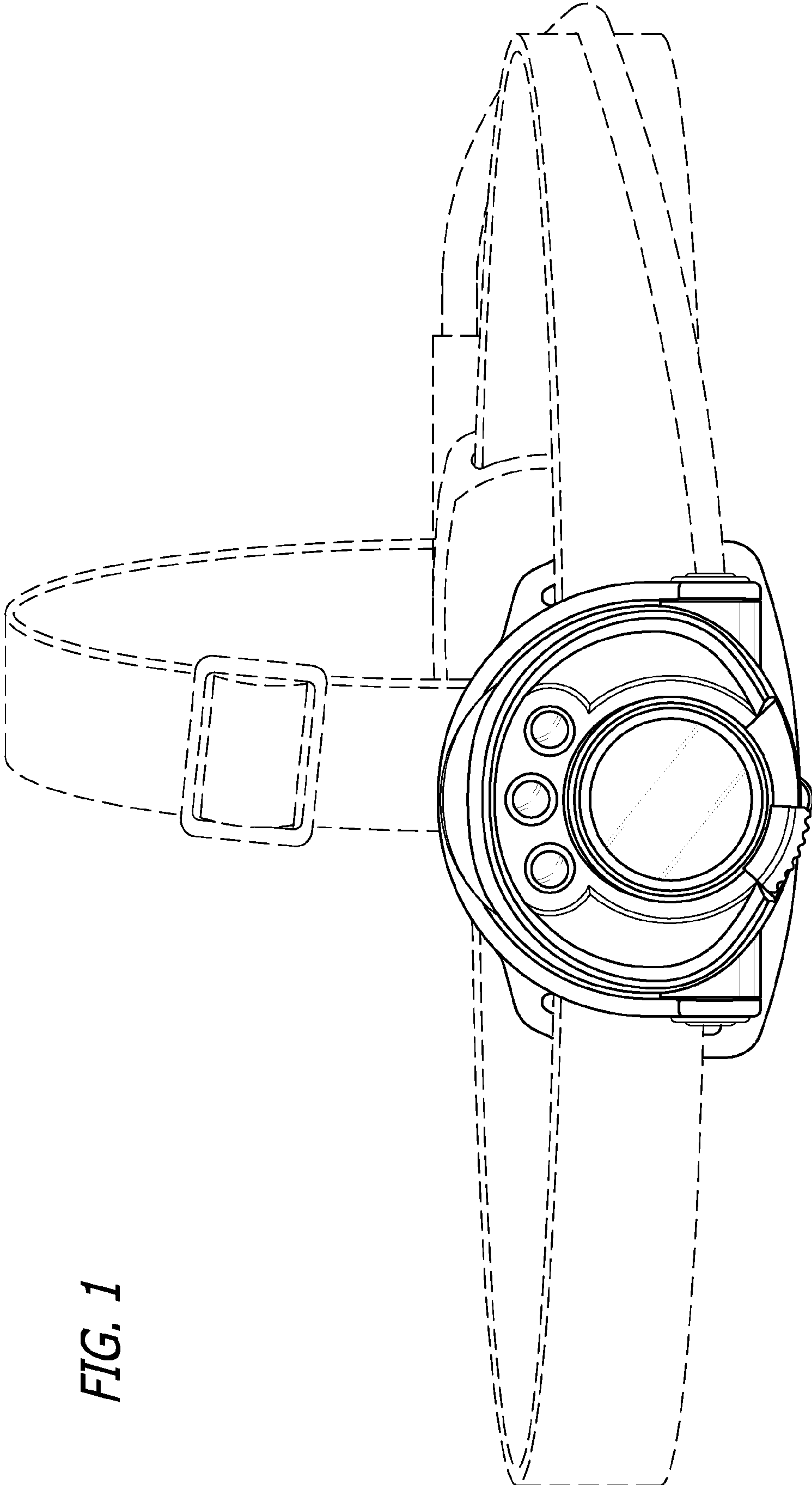


FIG. 1

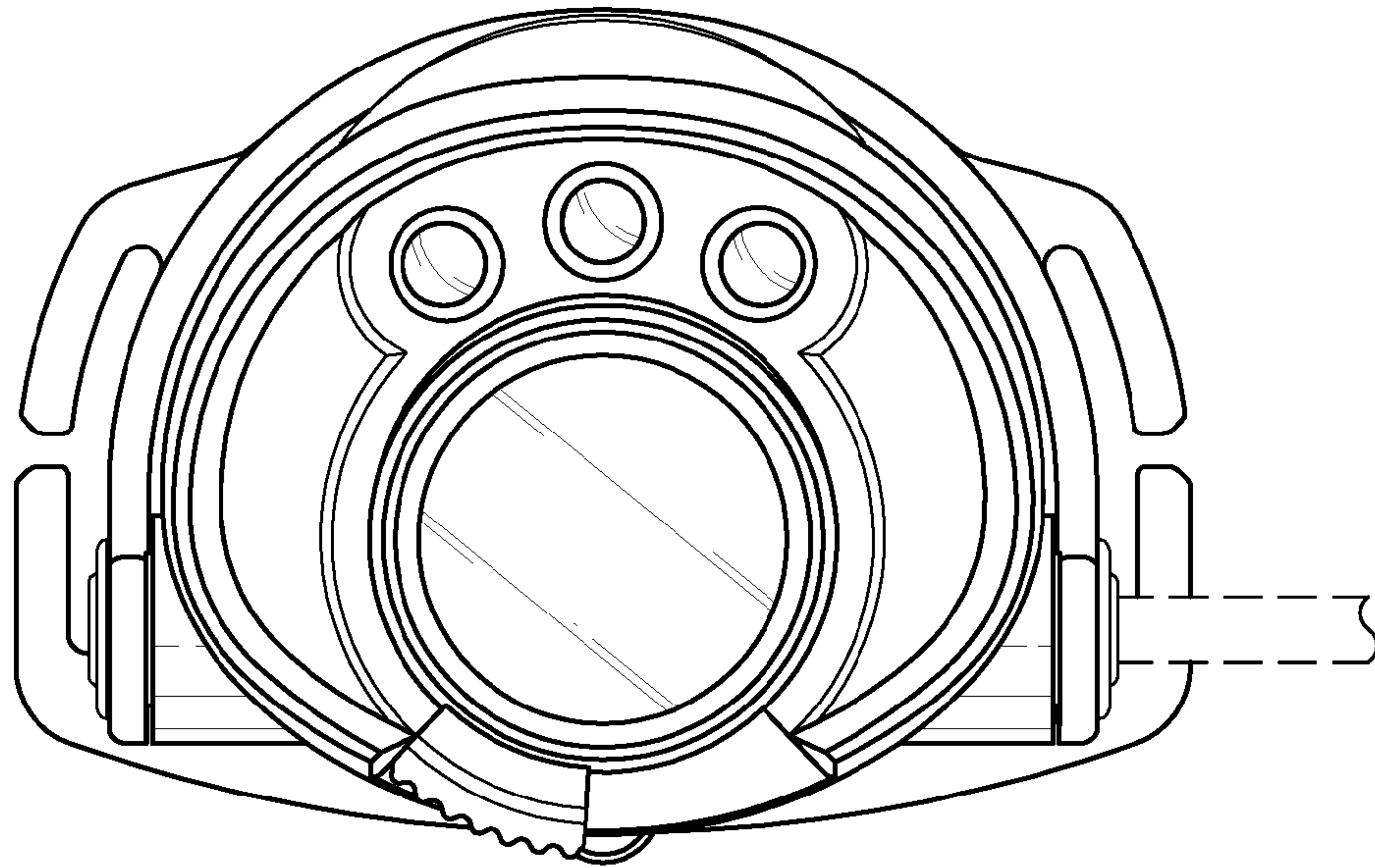


FIG. 2

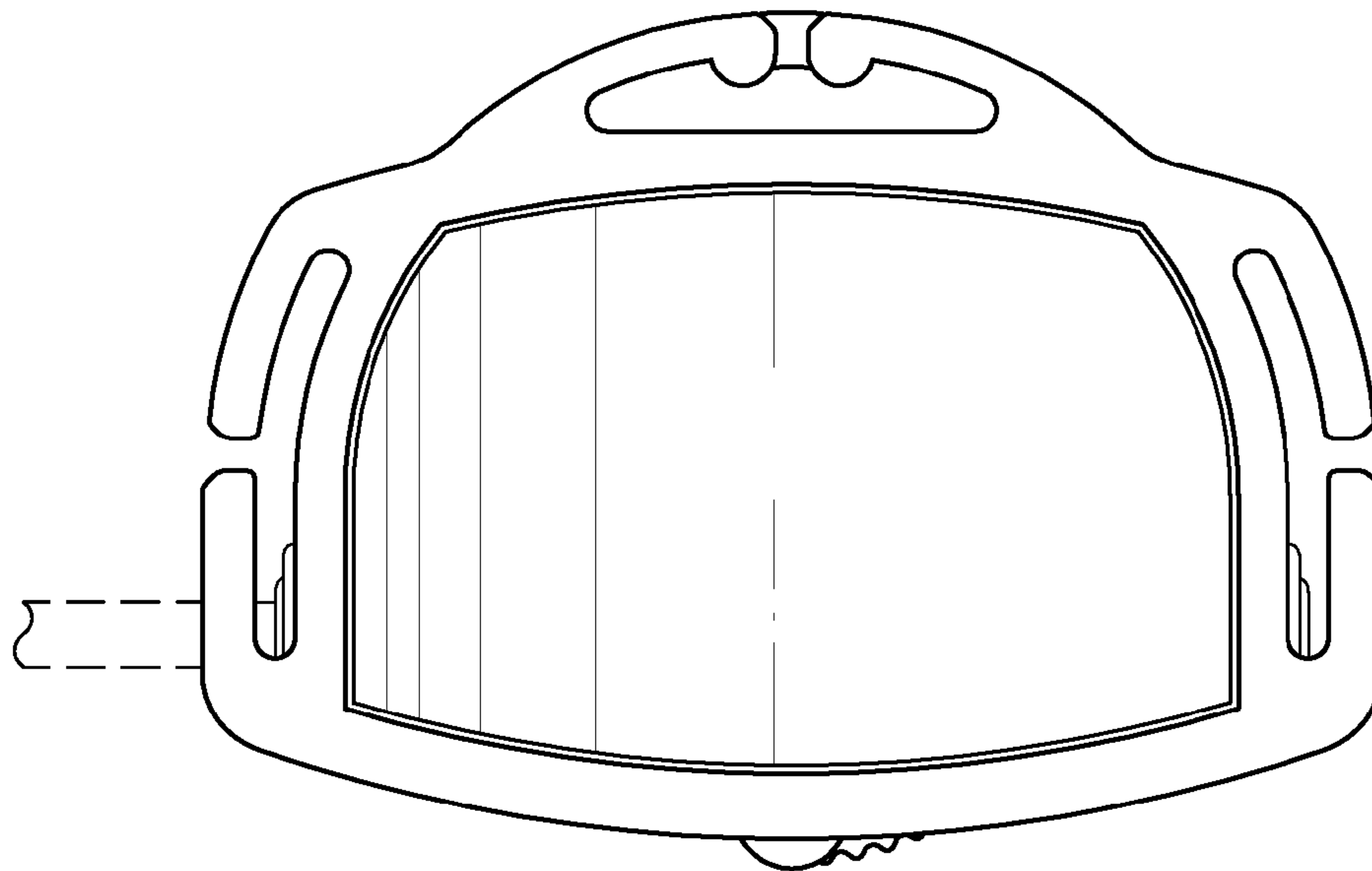


FIG. 3

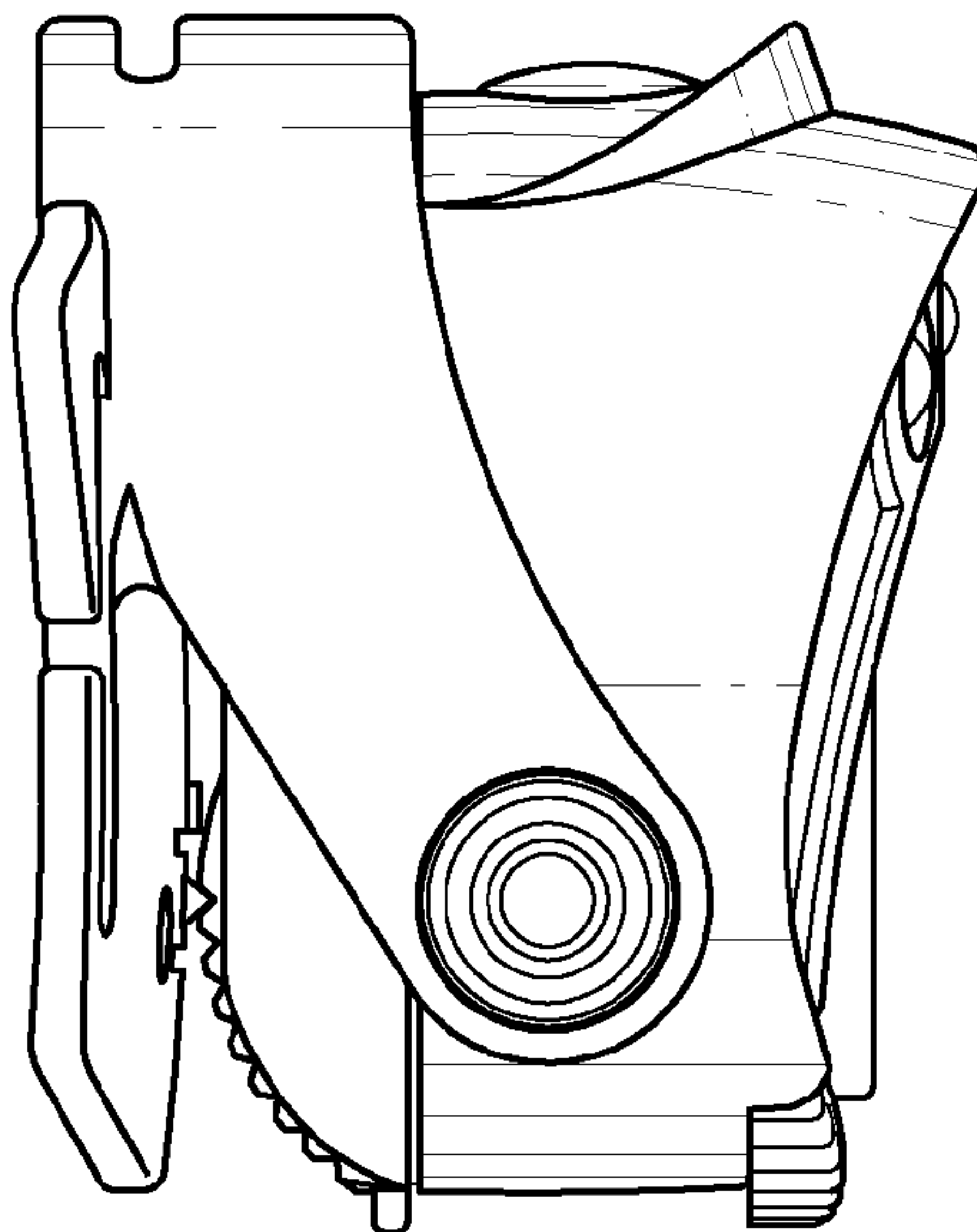


FIG. 4

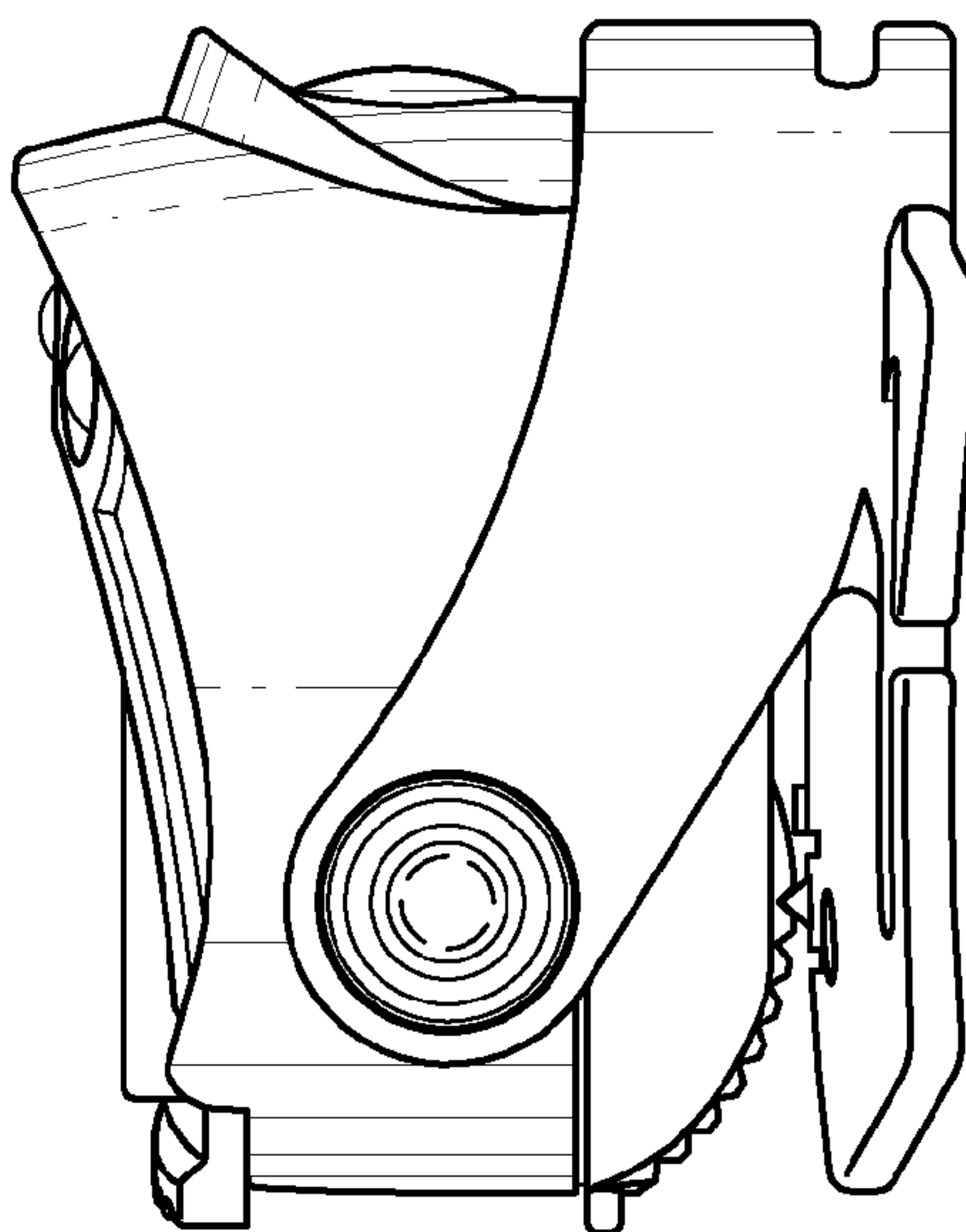


FIG. 5

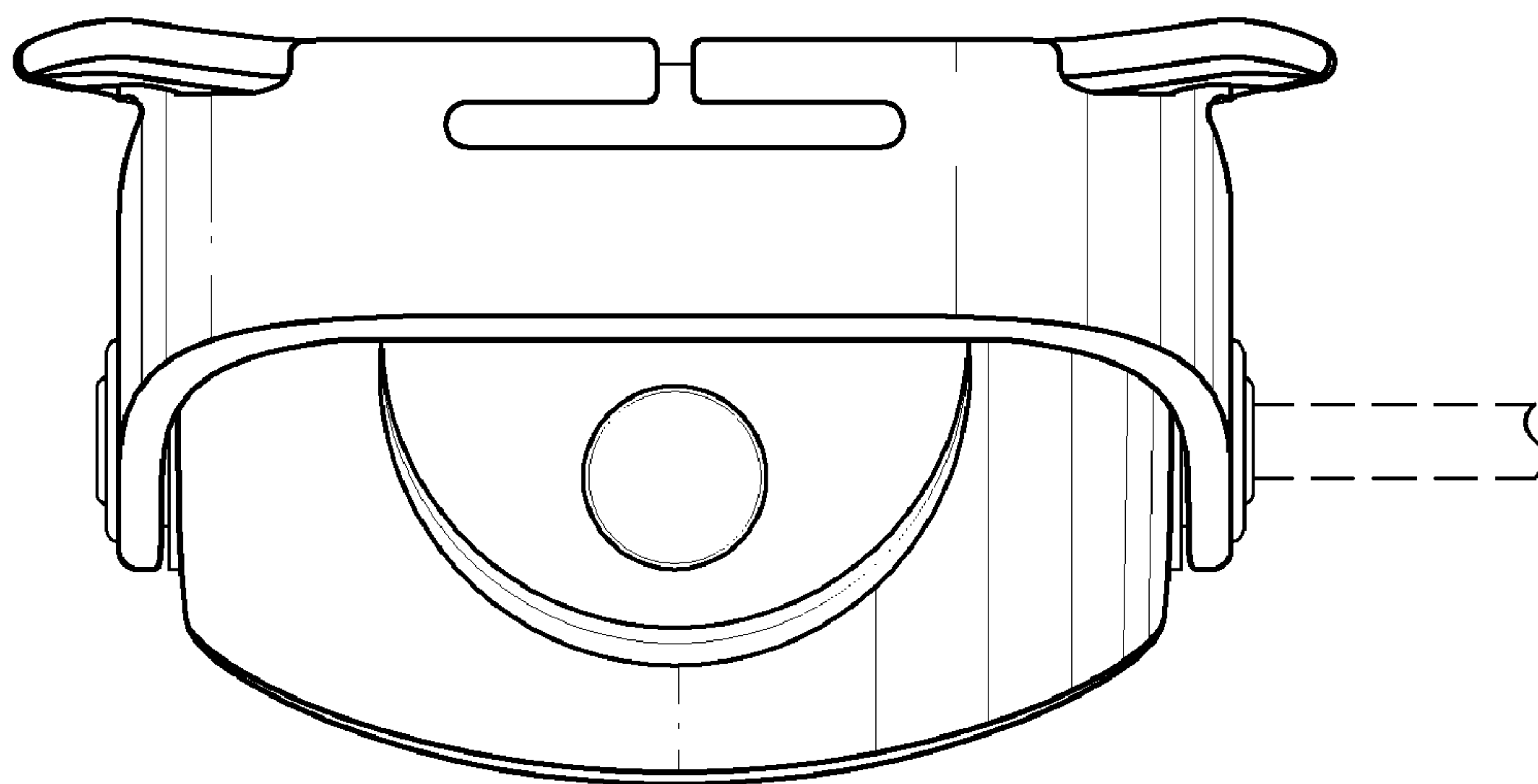


FIG. 6

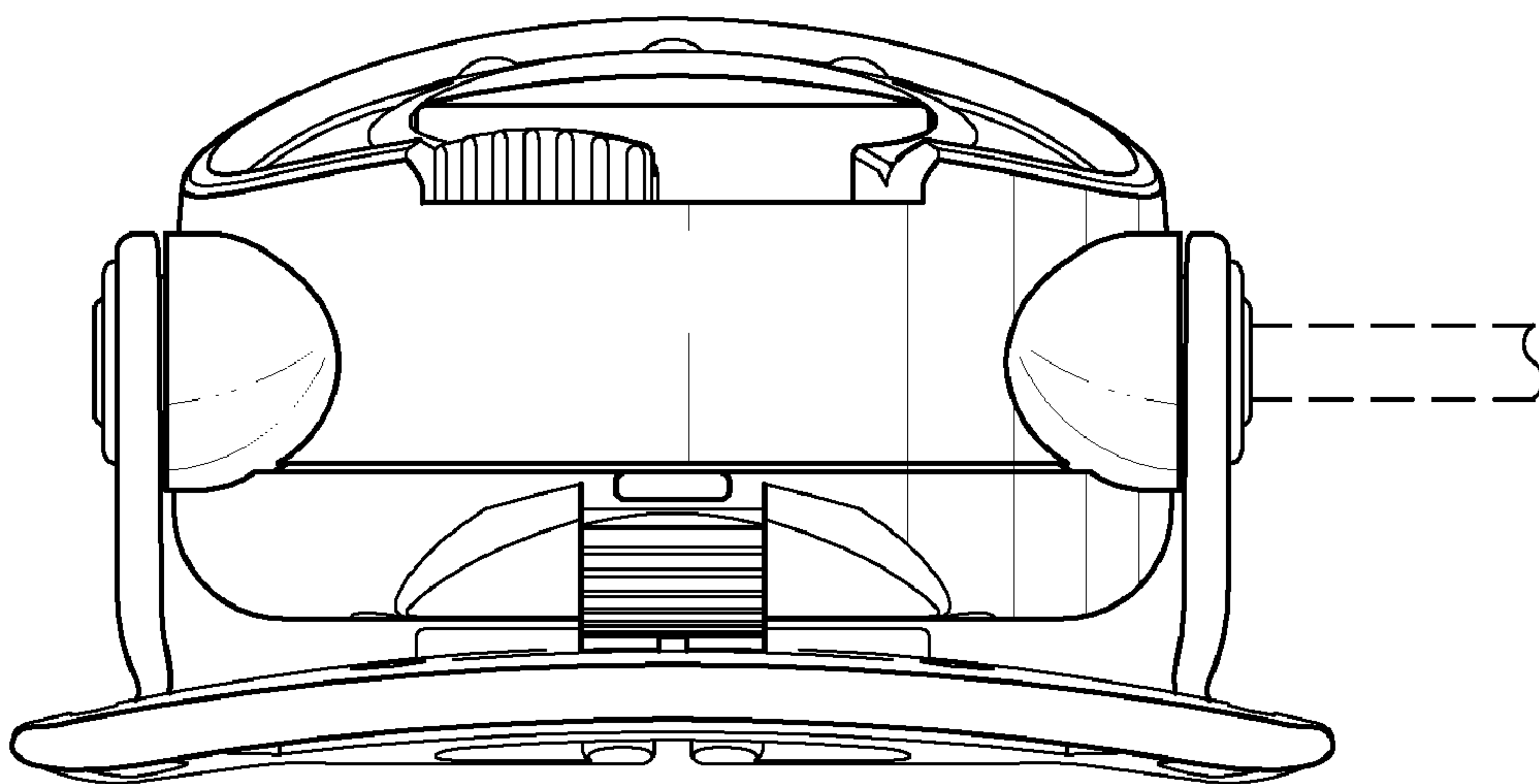


FIG. 7