



US00D575883S

(12) **United States Design Patent**
Park

(10) **Patent No.:** **US D575,883 S**

(45) **Date of Patent:** **** Aug. 26, 2008**

(54) **LAMP FOR OVEN**

(75) Inventor: **James Ji-Hong Park**, Seoul (KR)

(73) Assignee: **Samsung Electronics Co., Ltd.** (KR)

(**) Term: **14 Years**

(21) Appl. No.: **29/237,356**

(22) Filed: **Aug. 30, 2005**

(30) **Foreign Application Priority Data**

Jul. 22, 2005 (KR) 30-2005-0024714

(51) **LOC (8) Cl.** **26-04**

(52) **U.S. Cl.** **D26/2**

(58) **Field of Classification Search** D26/1-4;
D13/313, 315, 317, 318, 493; 315/52, 53,
315/56, 57, 58

See application file for complete search history.

(56) **References Cited**

U.S. PATENT DOCUMENTS

D433,167 S * 10/2000 Yim D26/2

D528,229 S * 9/2006 Kakuno et al. D26/2

D548,369 S * 8/2007 Bembridge et al. D26/2

D549,361 S * 8/2007 To et al. D26/2

* cited by examiner

Primary Examiner—Marcus A. Jackson

(74) *Attorney, Agent, or Firm*—Irving Keschner

(57) **CLAIM**

The ornamental design for lamp for oven, as shown.

DESCRIPTION

FIG. 1 is a perspective view of the ornamental design of the present invention;

FIG. 2 is a front elevational view of the ornamental design of the present invention;

FIG. 3 is a rear elevational view of the ornamental design of the present invention;

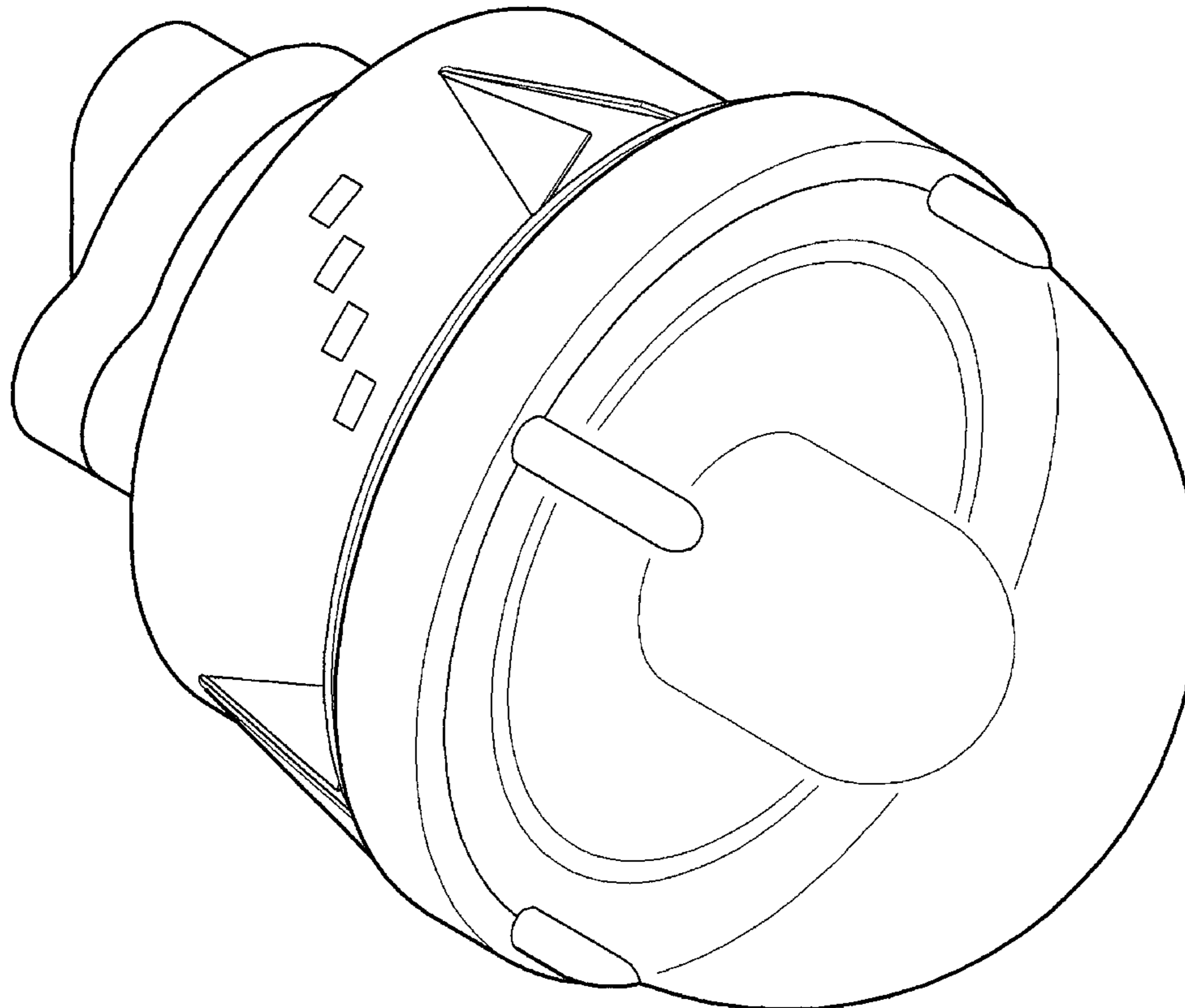
FIG. 4 is a left side elevational view of the ornamental design of the present invention;

FIG. 5 is a right side elevational view of the ornamental design of the present invention;

FIG. 6 is a top plan view of the ornamental design of the present invention; and,

FIG. 7 is a bottom view of the ornamental design of the present invention.

1 Claim, 7 Drawing Sheets



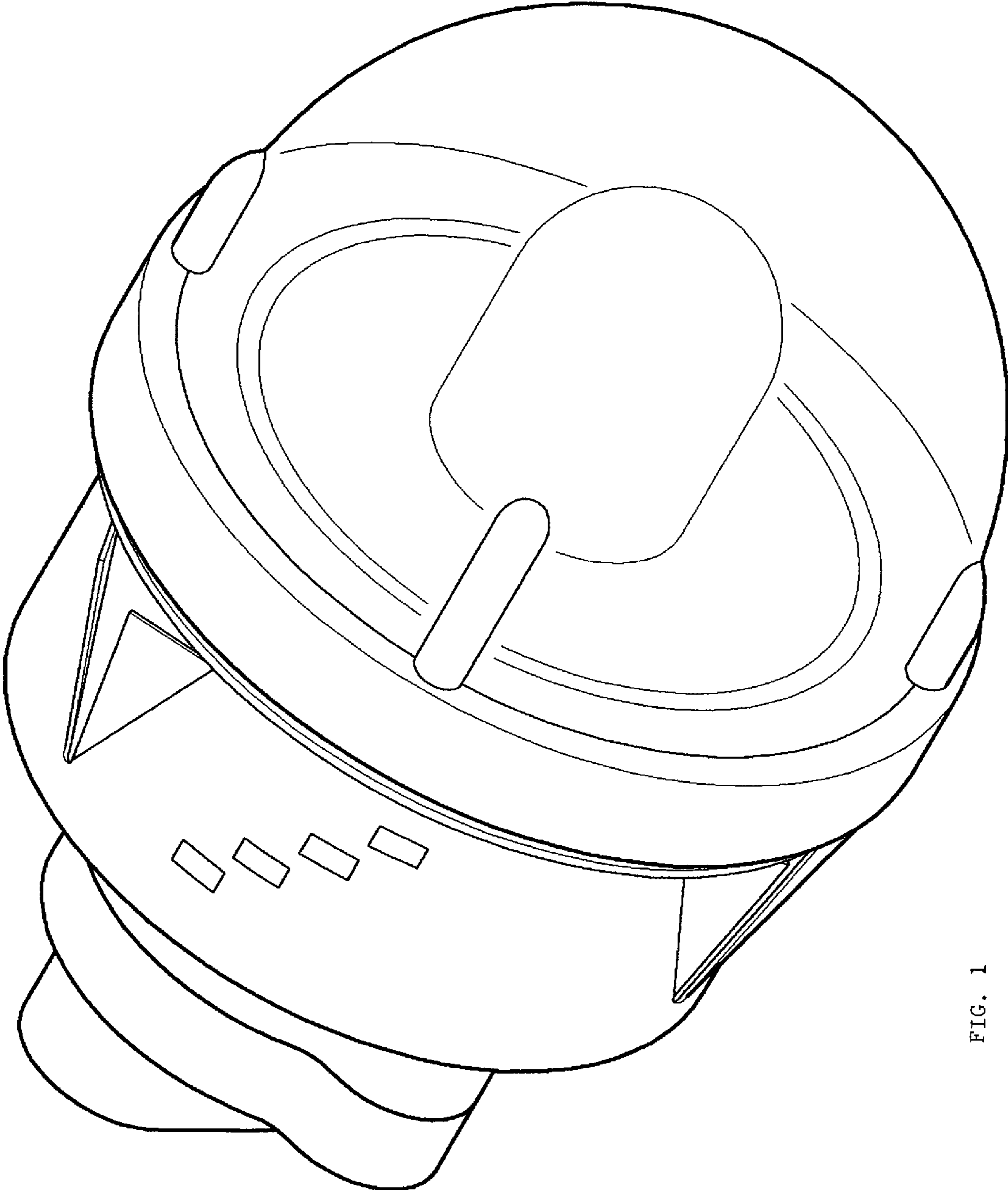


FIG. 1

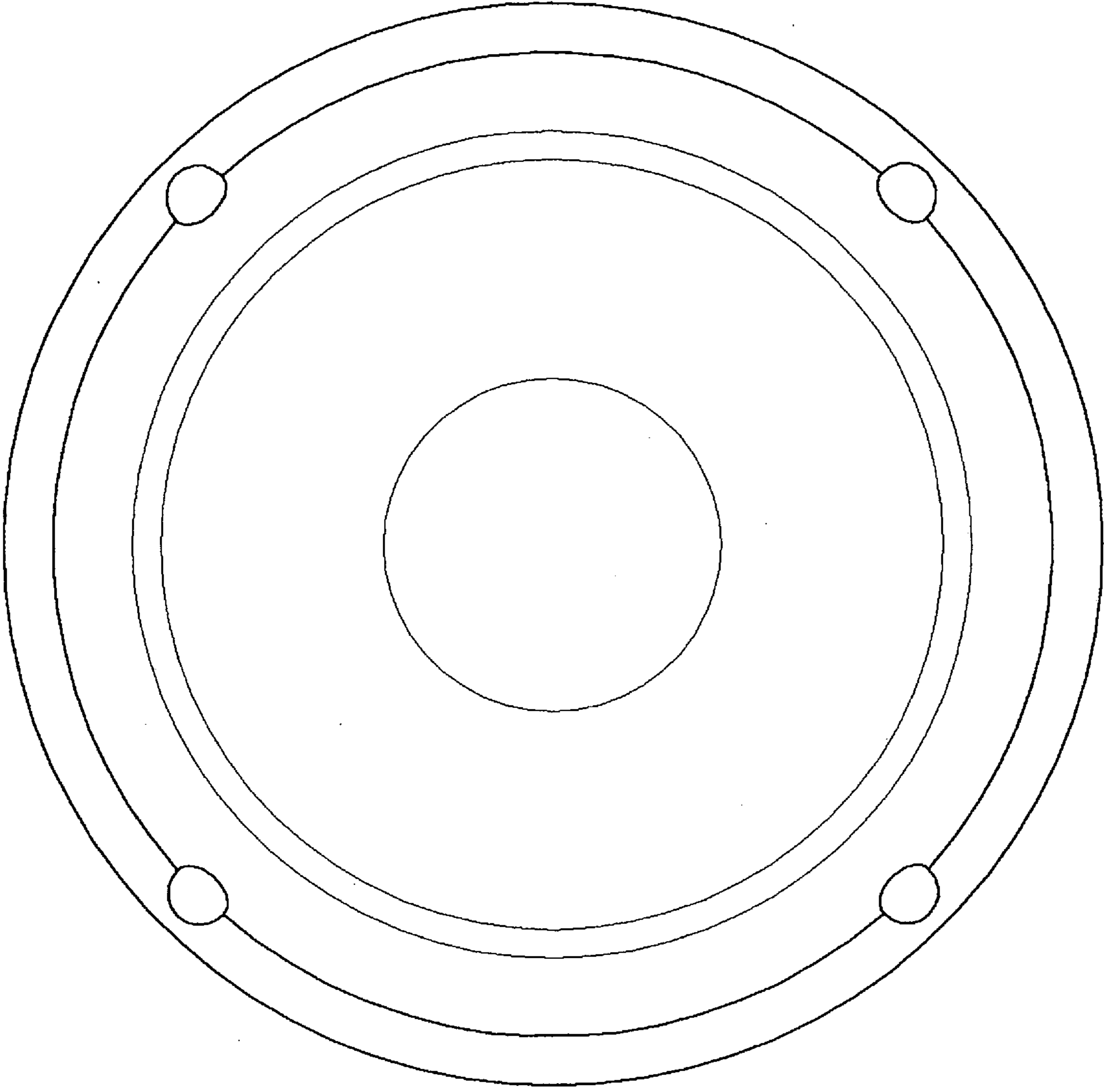


FIG. 2

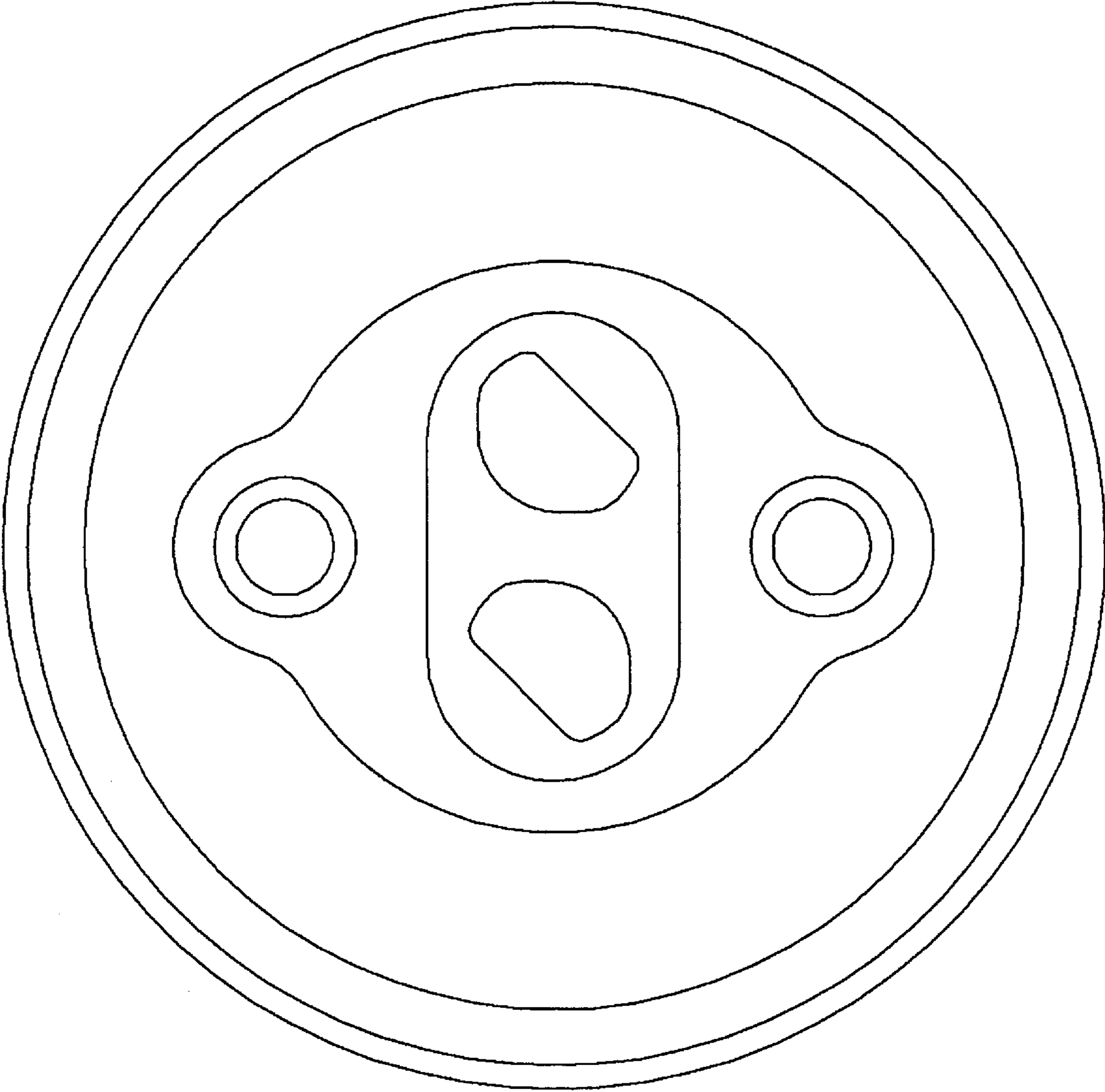


FIG. 3

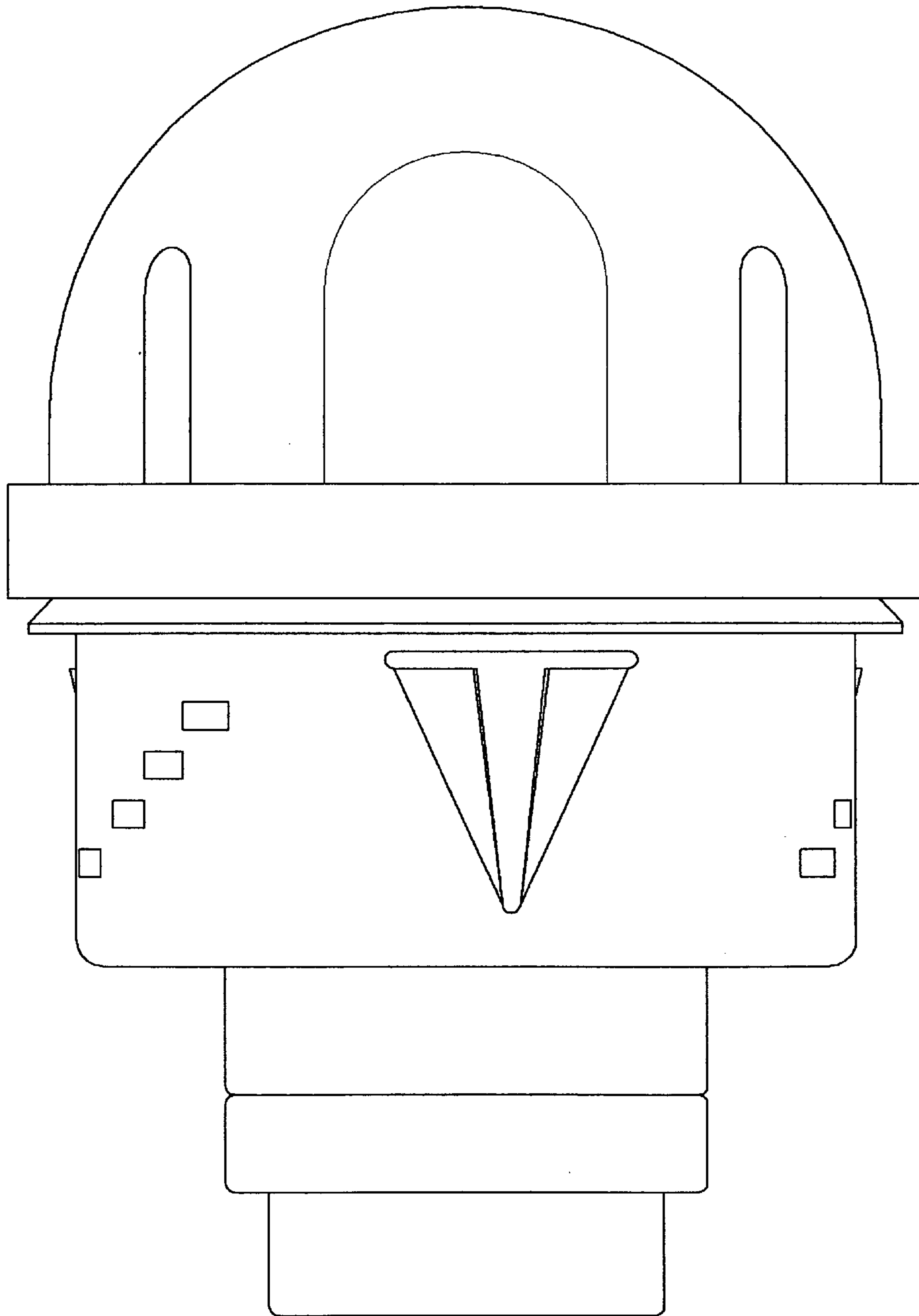


FIG. 4

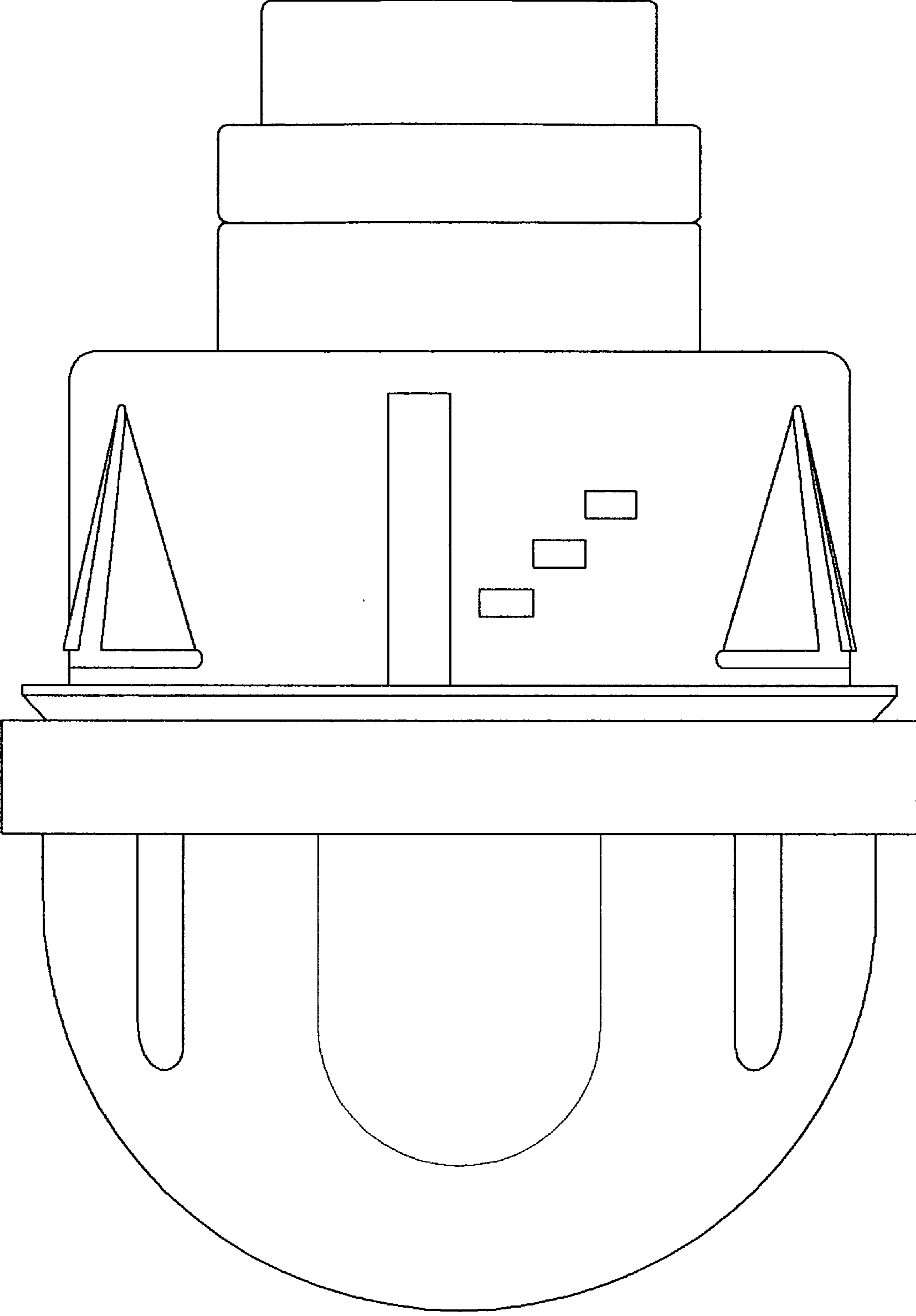


FIG. 5

FIG 6

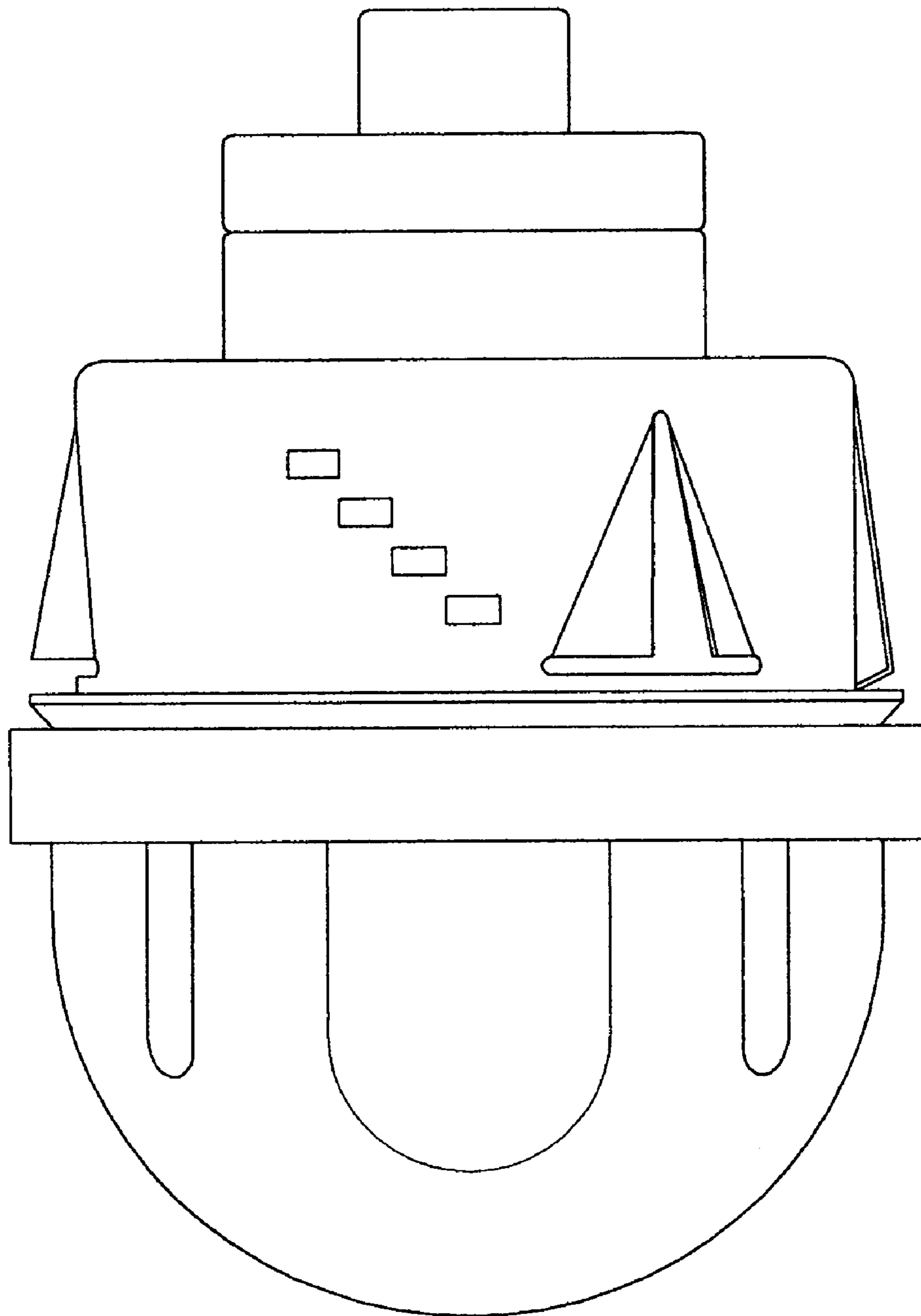
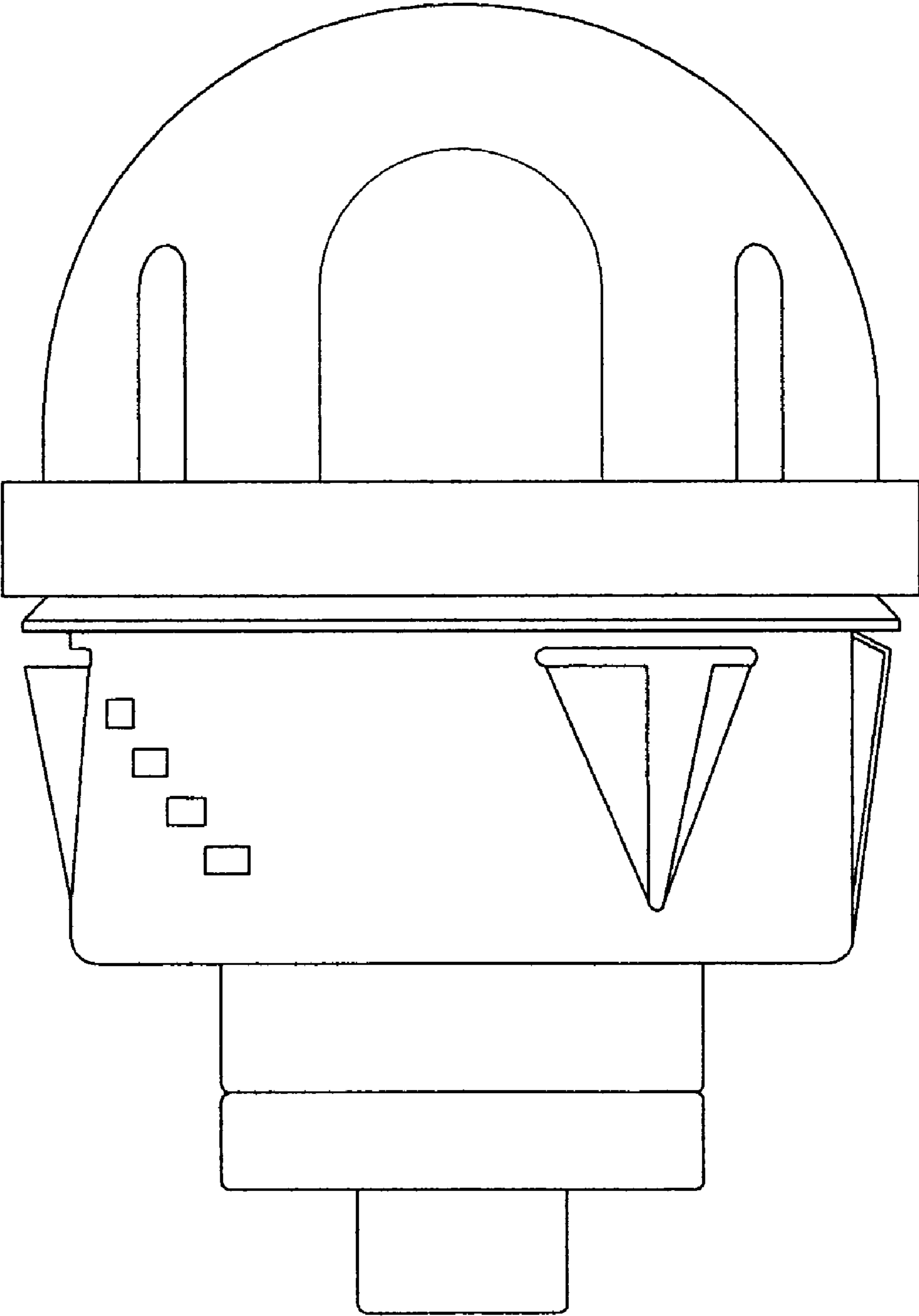


FIG 7



UNITED STATES PATENT AND TRADEMARK OFFICE
CERTIFICATE OF CORRECTION

PATENT NO. : Des. 575,883 S
APPLICATION NO. : 29/237356
DATED : August 26, 2008
INVENTOR(S) : James Ji-Hong Park

Page 1 of 1

It is certified that error appears in the above-identified patent and that said Letters Patent is hereby corrected as shown below:

On the title page, item [73], should read

--James Tech Co., Ltd.--

Signed and Sealed this

Second Day of February, 2010

A handwritten signature in black ink that reads "David J. Kappos". The signature is written in a cursive, flowing style.

David J. Kappos
Director of the United States Patent and Trademark Office