



US00D575879S

(12) **United States Design Patent**
Wrightman et al.

(10) **Patent No.:** **US D575,879 S**

(45) **Date of Patent:** **** Aug. 26, 2008**

(54) **LOG**

(76) Inventors: **Ronald A. Wrightman**, Box 25, 1 Kevin Crescent, Bracebridge, Ontario (CA) P1L 1A7; **Robert A. Wrightman**, 1042 Crawford Lane, Bracebridge, Ontario (CA) P1L 1W8

(**) Term: **14 Years**

(21) Appl. No.: **29/265,253**

(22) Filed: **Aug. 28, 2006**

(51) **LOC (8) Cl.** **25-01**

(52) **U.S. Cl.** **D25/121**

(58) **Field of Classification Search** D25/121,
D25/126, 164; 52/102, 233
See application file for complete search history.

(56) **References Cited**

U.S. PATENT DOCUMENTS

2,498,551	A	2/1950	Jonsrud	
3,166,802	A	1/1965	Schmidgall	
3,189,950	A	6/1965	Johnson	
D203,162	S *	12/1965	Blum	D25/164
D203,663	S	2/1966	Blum et al.	
3,381,428	A	5/1968	Sillman	
3,440,784	A	4/1969	Onjukha	
3,552,079	A	1/1971	Mortensen	
4,279,108	A	7/1981	Collister, Jr	
4,344,263	A *	8/1982	Farmon	52/233
4,599,837	A	7/1986	Wrightman	
4,901,489	A *	2/1990	Garber	52/233
4,938,263	A	7/1990	Wrightman	
5,020,289	A	6/1991	Wrightman	
5,325,645	A	7/1994	Wrightman	
5,778,950	A	7/1998	Wrightman	
6,023,895	A *	2/2000	Anderson	52/233
6,050,033	A	4/2000	Wrightman	
6,189,271	B1 *	2/2001	Christensen	52/233

D462,788	S *	9/2002	Thornton et al.	D25/121
D467,010	S	12/2002	Wrightman	
D488,872	S *	4/2004	Froech	D25/157
D489,141	S *	4/2004	Froech	D25/157
2005/0268563	A1	12/2005	Wrightman	

FOREIGN PATENT DOCUMENTS

CA	1264644	1/1990
CA	2002665	12/1991

OTHER PUBLICATIONS

“Distinctive Homes—Log, Timberframe, Conventional Log Sided and More. . .” Catalogue published by True North Log Homes. Inc. 2007. p. 200 (photocopy of page is enclosed showing prior cross sections of logs.).

* cited by examiner

Primary Examiner—Doris Clark

(74) *Attorney, Agent, or Firm*—Ladas and Parry LLP

(57) **CLAIM**

The ornamental design of a log, as shown and described.

DESCRIPTION

FIG. 1 is a perspective view of a log;

FIG. 2 is an end view, the view from the opposite ends being a mirror image;

FIG. 3 is a side view, the view from the opposite side being a mirror image;

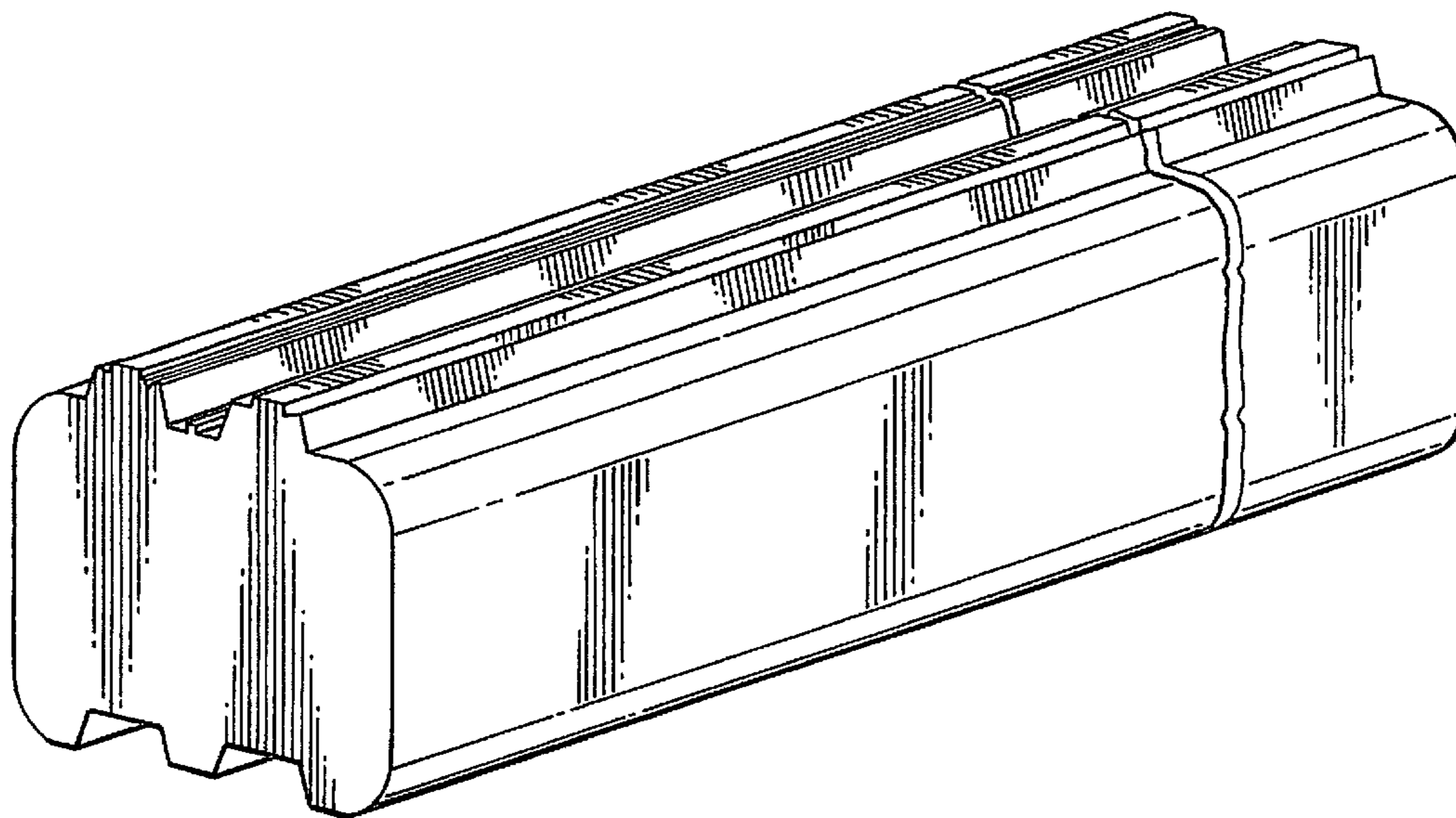
FIG. 4 is a top plan view; and,

FIG. 5 is a bottom view.

The characteristic feature of the design resides in the shape and configuration of the top and bottom faces.

The claimed design is broken near one end indicating indefinite length.

1 Claim, 3 Drawing Sheets



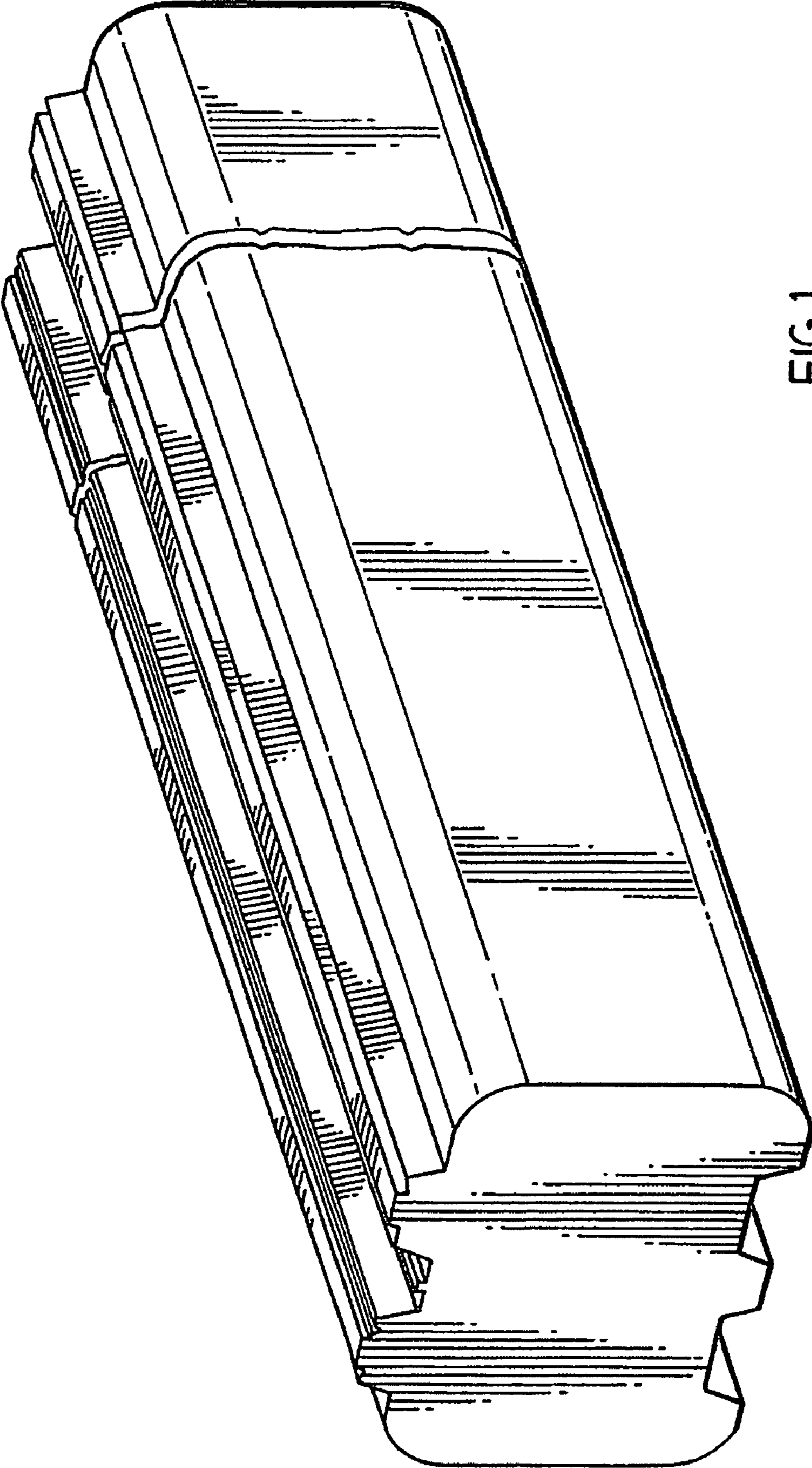


FIG.1

FIG. 2.

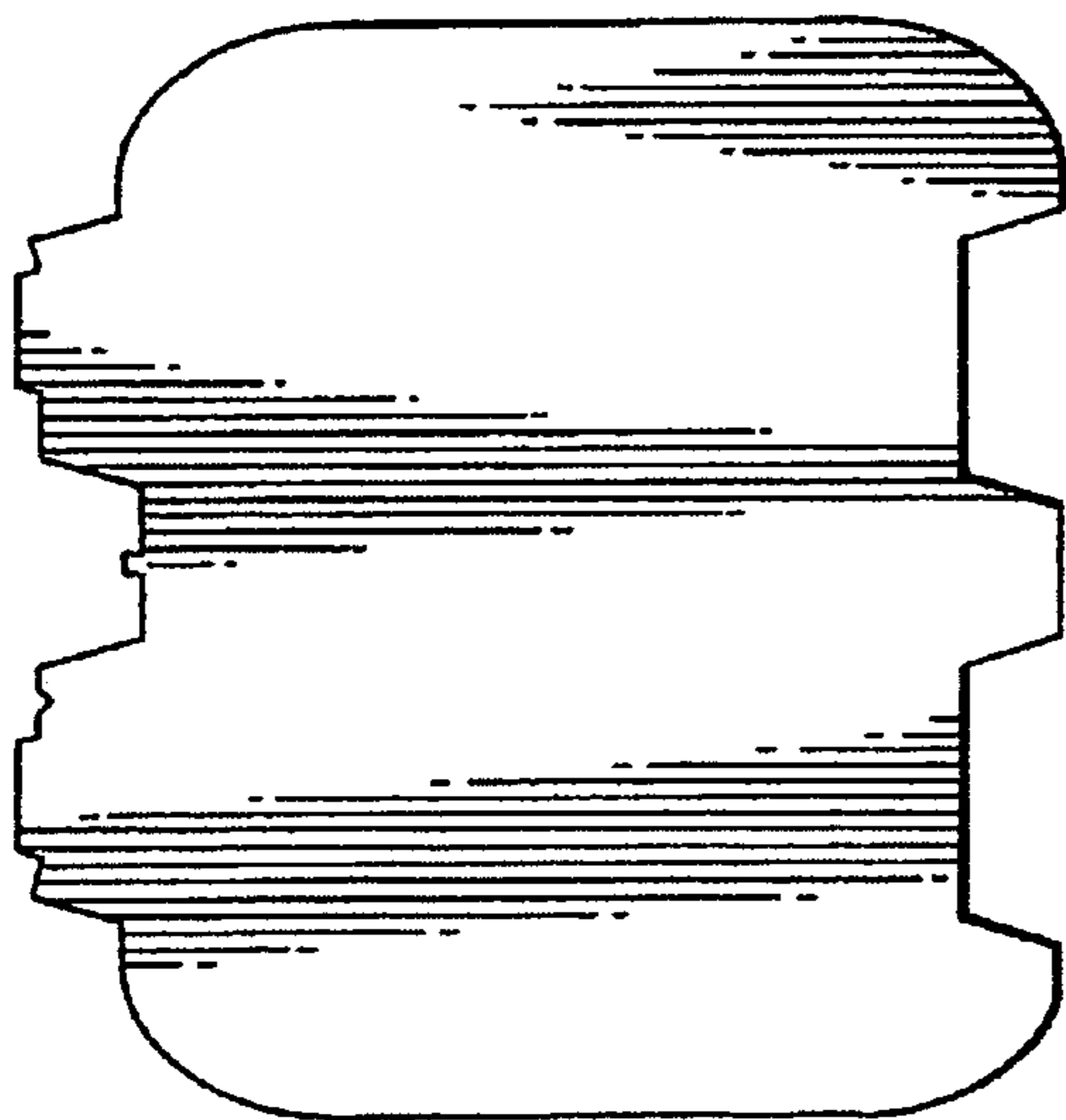
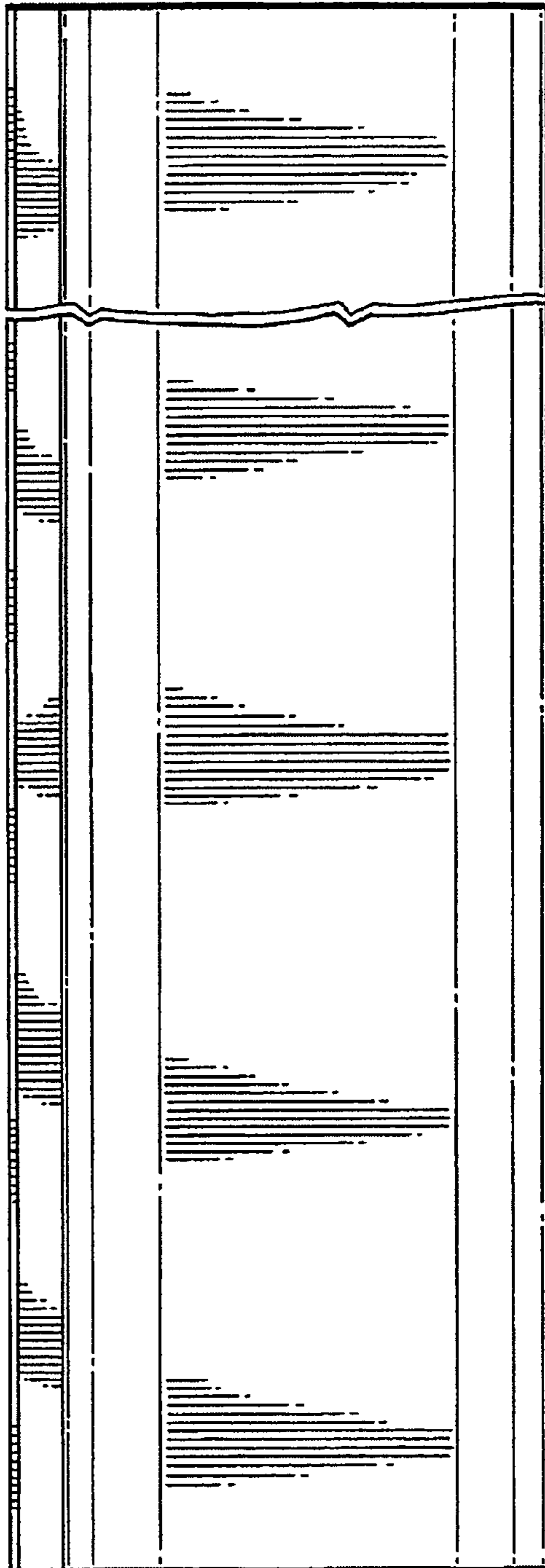


FIG. 3.



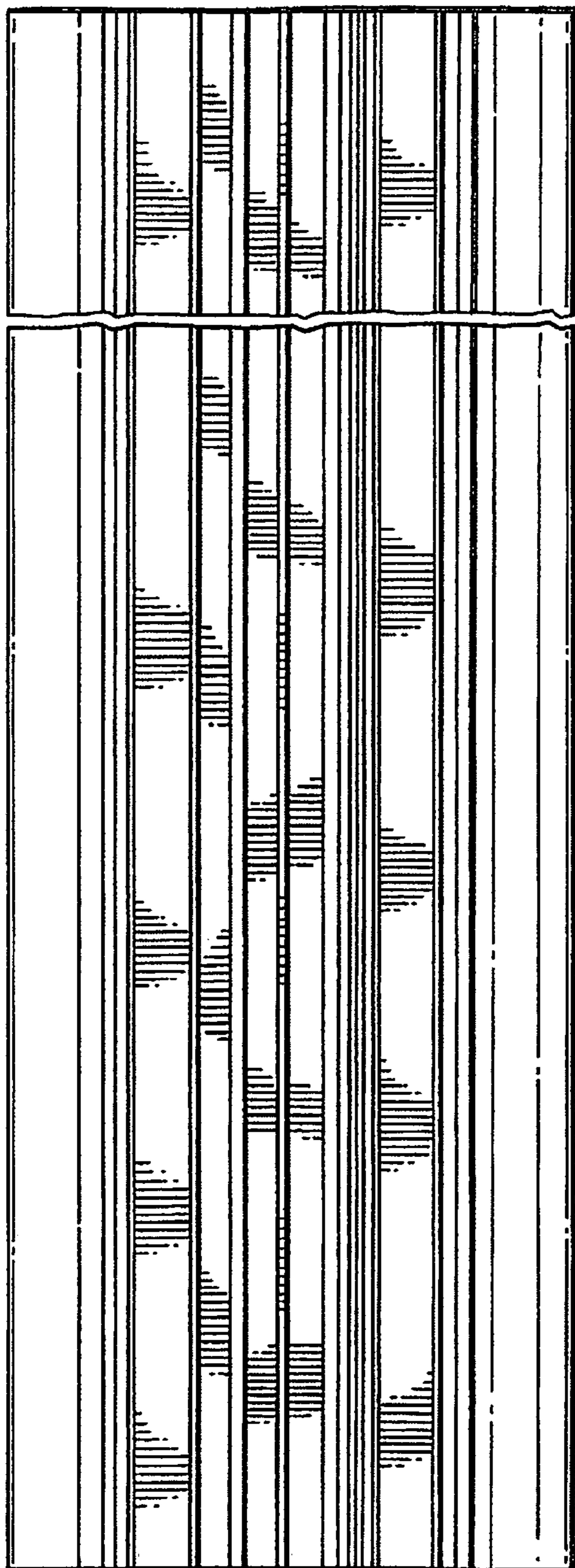


FIG. 4.

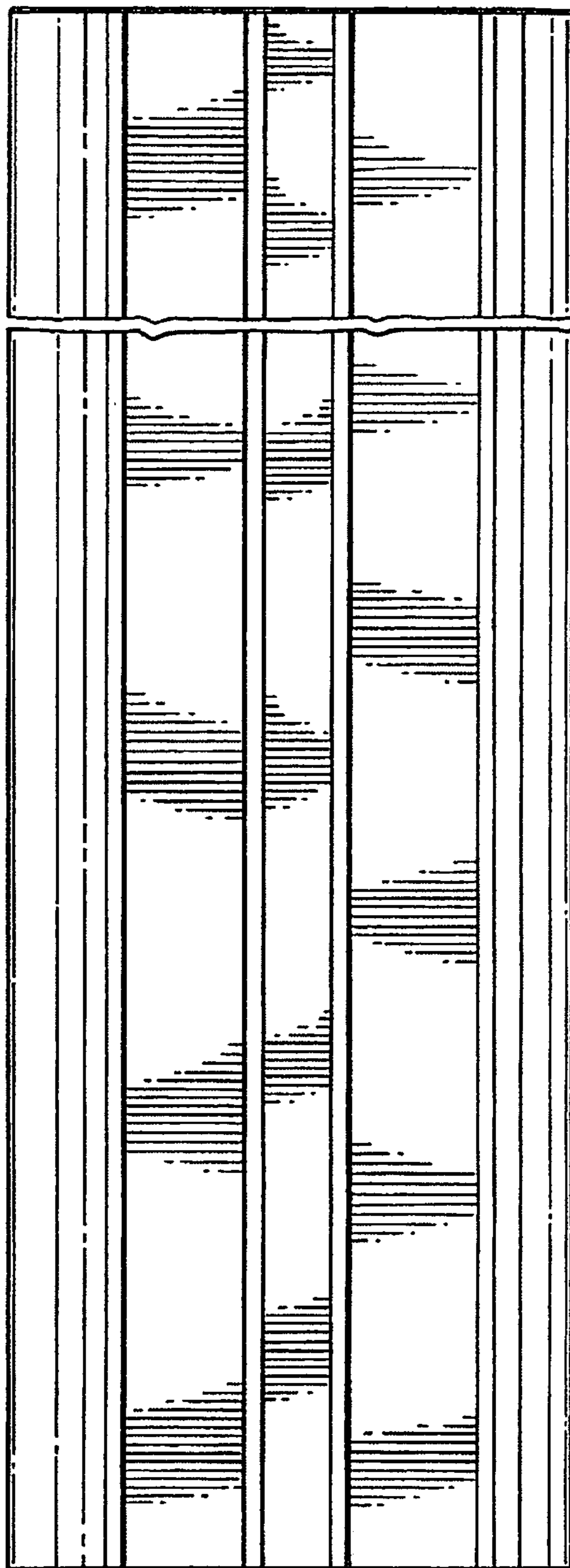


FIG. 5.