

US00D575871S

(12) **United States Design Patent**
Wawro et al.

(10) **Patent No.:** **US D575,871 S**
(45) **Date of Patent:** **** Aug. 26, 2008**

(54) **UNIVERSAL PORT ADAPTER FOR BLOOD PRESSURE MEASURING APPARATUS OR THE LIKE**

6,036,718 A 3/2000 Ledford et al.
6,095,983 A * 8/2000 Wawro 600/485
6,189,558 B1 2/2001 Traylor
6,344,025 B1 2/2002 Inagaki

(75) Inventors: **Thaddeus J. Wawro**, Auburn, NY (US);
Raymond A. Lia, Auburn, NY (US);
Todd B. Abernethy, Skaneateles, NY (US)

(Continued)

FOREIGN PATENT DOCUMENTS

(73) Assignee: **Welch Allyn, Inc.**, Skaneateles Falls, NY (US)

FR 2592297 7/1987
GB 740181 11/1955

(**) Term: **14 Years**

Primary Examiner—Louis S Zarfaz
Assistant Examiner—Anhdao Doan
(74) *Attorney, Agent, or Firm*—Hiscock & Barclay, LLP

(21) Appl. No.: **29/265,870**

(57) **CLAIM**

(22) Filed: **Sep. 11, 2006**

The ornamental design for a universal port adapter for blood pressure measuring apparatus or the like, as shown and described.

(51) **LOC (8) Cl.** **24-02**

(52) **U.S. Cl.** **D24/165**

(58) **Field of Classification Search** D24/165–169,
D24/186, 129; 600/480, 485, 500, 503, 490–496,
600/499; 128/900

DESCRIPTION

See application file for complete search history.

FIG. 1 is an isometric view of a universal port adapter for blood pressure measuring apparatus or the like according to a first embodiment of the design.

(56) **References Cited**

U.S. PATENT DOCUMENTS

2,678,040 A 5/1954 Poole et al.
3,633,567 A 1/1972 Sarnoff
D232,781 S * 9/1974 Raczowski et al. D24/166
3,906,937 A 9/1975 Aronson
D244,879 S 6/1977 Manno
D267,038 S * 11/1982 Koshino D24/166
D269,905 S 7/1983 Tamm
4,535,938 A 8/1985 Lindabury
4,726,382 A 2/1988 Boehmer et al.
4,726,686 A 2/1988 Wolf et al.
4,832,039 A * 5/1989 Perry et al. 600/493
5,181,422 A 1/1993 Leonard et al.
5,220,925 A 6/1993 Hishida
5,275,444 A 1/1994 Wythoff
5,396,894 A 3/1995 Eide et al.
5,413,582 A 5/1995 Eaton
5,626,142 A 5/1997 Marks
5,882,515 A 3/1999 Lacy et al.

FIG. 2 is a plan view showing the bottom of the first embodiment of the design.

FIG. 3 is a cross-sectional view of the first embodiment of the design taken along line 3—3 of FIG. 2.

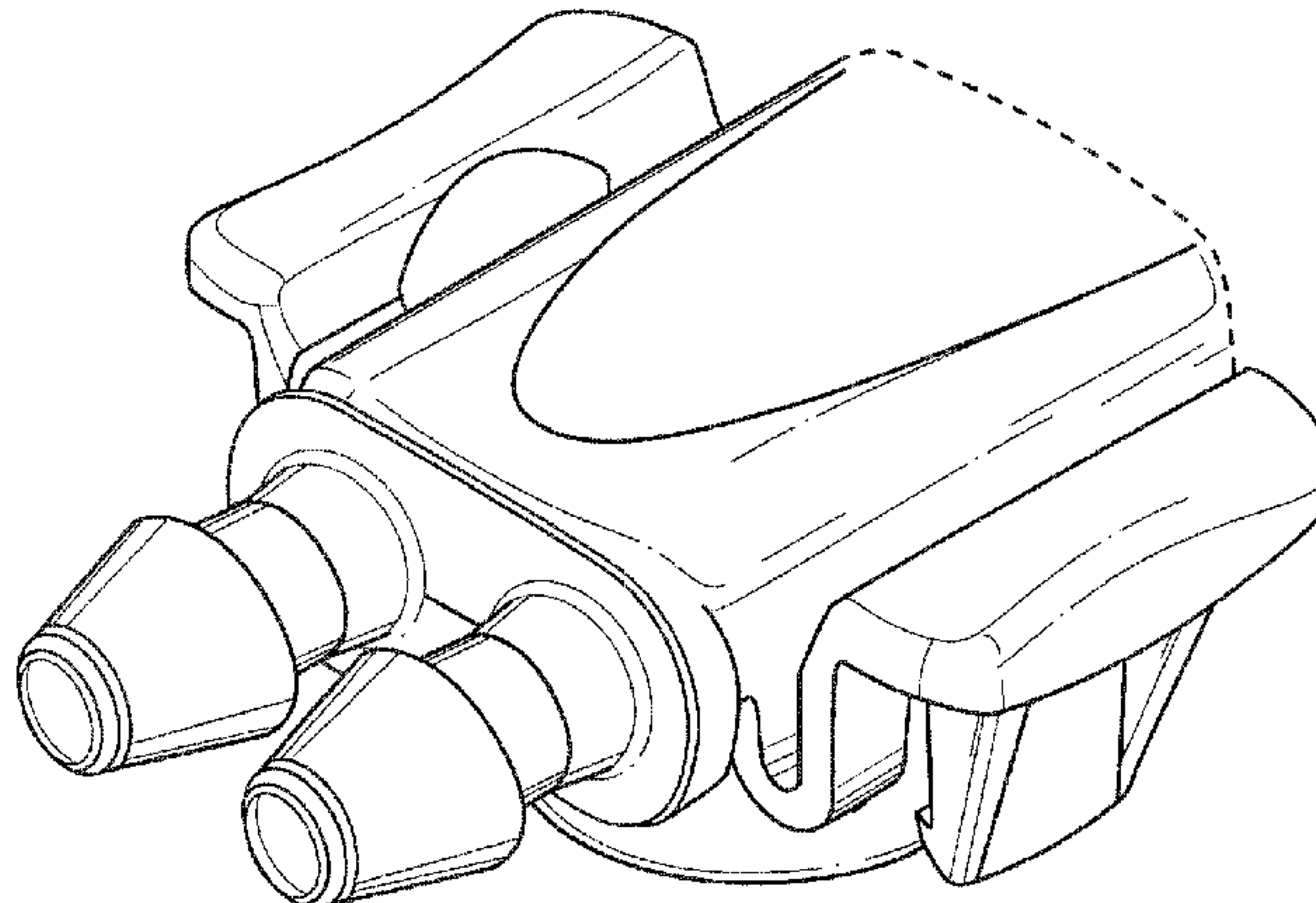
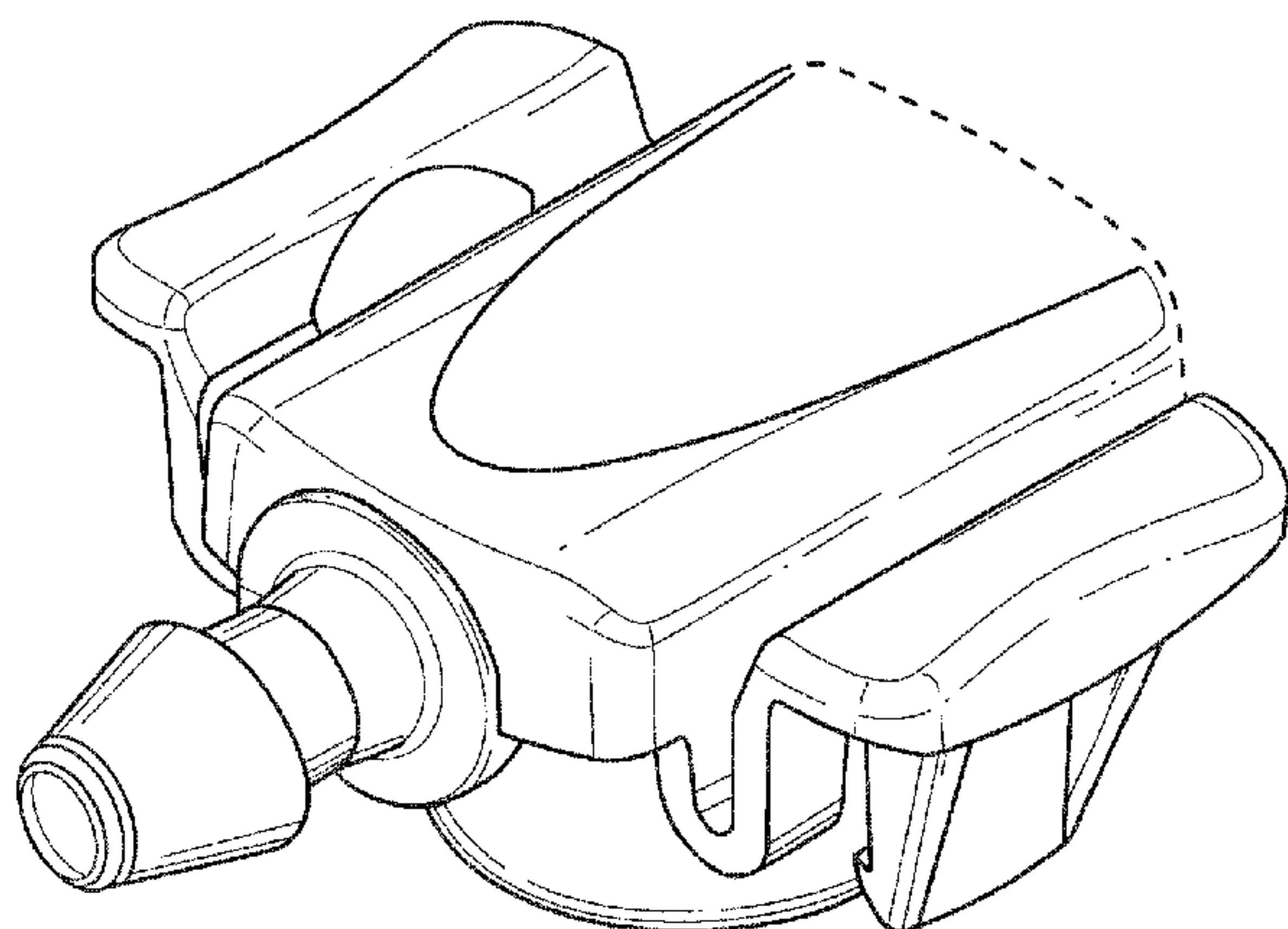
FIG. 4 is an isometric view of a universal port adapter for blood pressure measuring apparatus or the like according to a second embodiment of the design.

FIG. 5 is a plan view showing the bottom of the second embodiment of the design; and,

FIG. 6 is a cross-sectional view of the second embodiment of the design taken along line 6—6 of FIG. 5.

The broken lines in FIGS. 1, 2, 4, and 5 are included for the purpose of illustrating a portion of the universal port adaptor for blood pressure measuring apparatus or the like that forms no part of the claimed design.

1 Claim, 4 Drawing Sheets



US D575,871 S

Page 2

U.S. PATENT DOCUMENTS							
				D523,553	S *	6/2006	Beck et al. D24/111
				D543,627	S *	5/2007	Cullen et al. D24/167
				D543,630	S *	5/2007	Cullen et al. D24/167
				2006/0217618	A1 *	9/2006	Lia et al. 600/499
6,551,249	B2	4/2003	Ashida et al.				
6,682,547	B2	1/2004	McEwen et al.				
6,746,406	B2	6/2004	Lia et al.				
D506,256	S *	6/2005	Miyoshi et al. D24/129				* cited by examiner

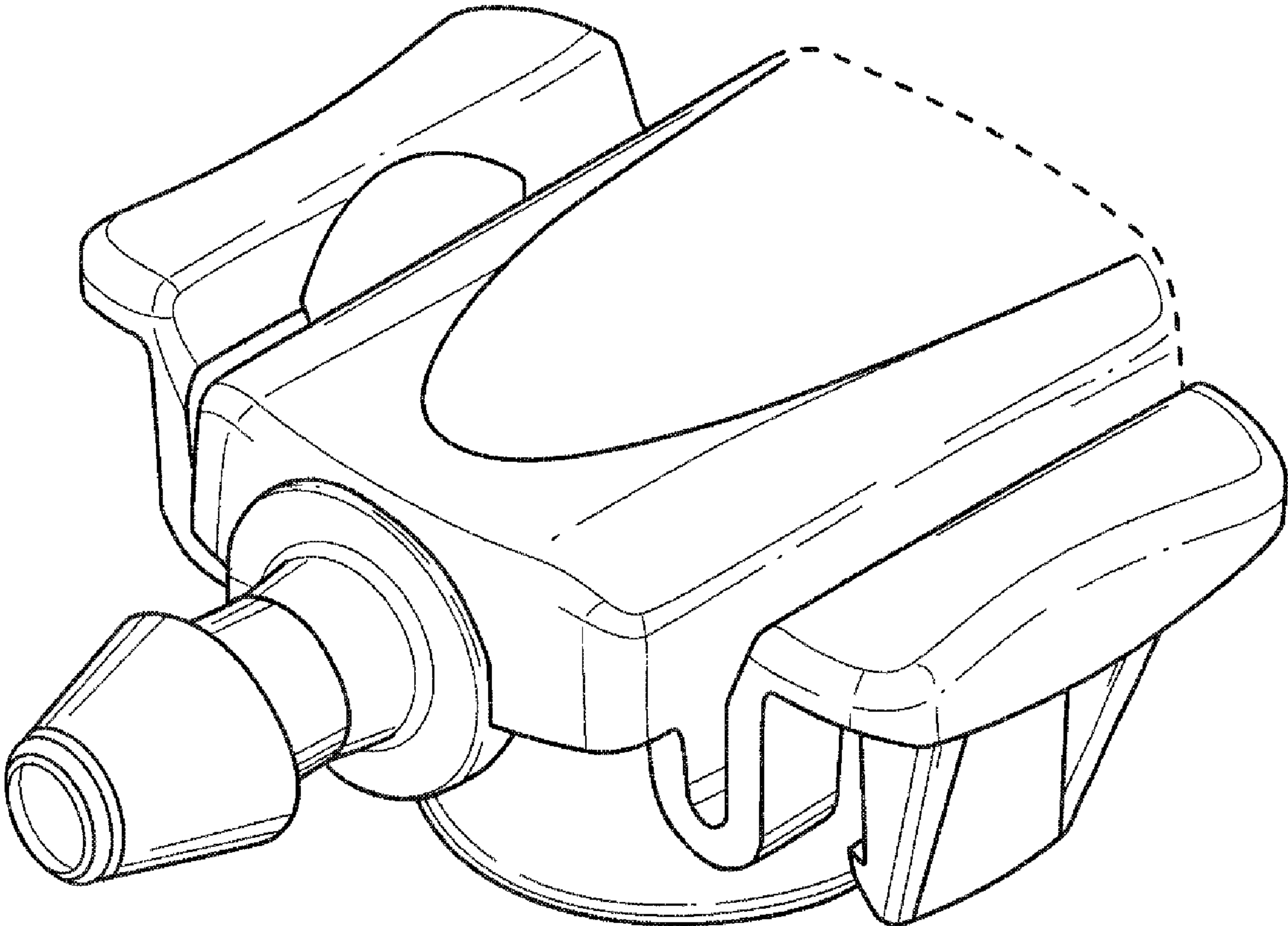


Fig. 1

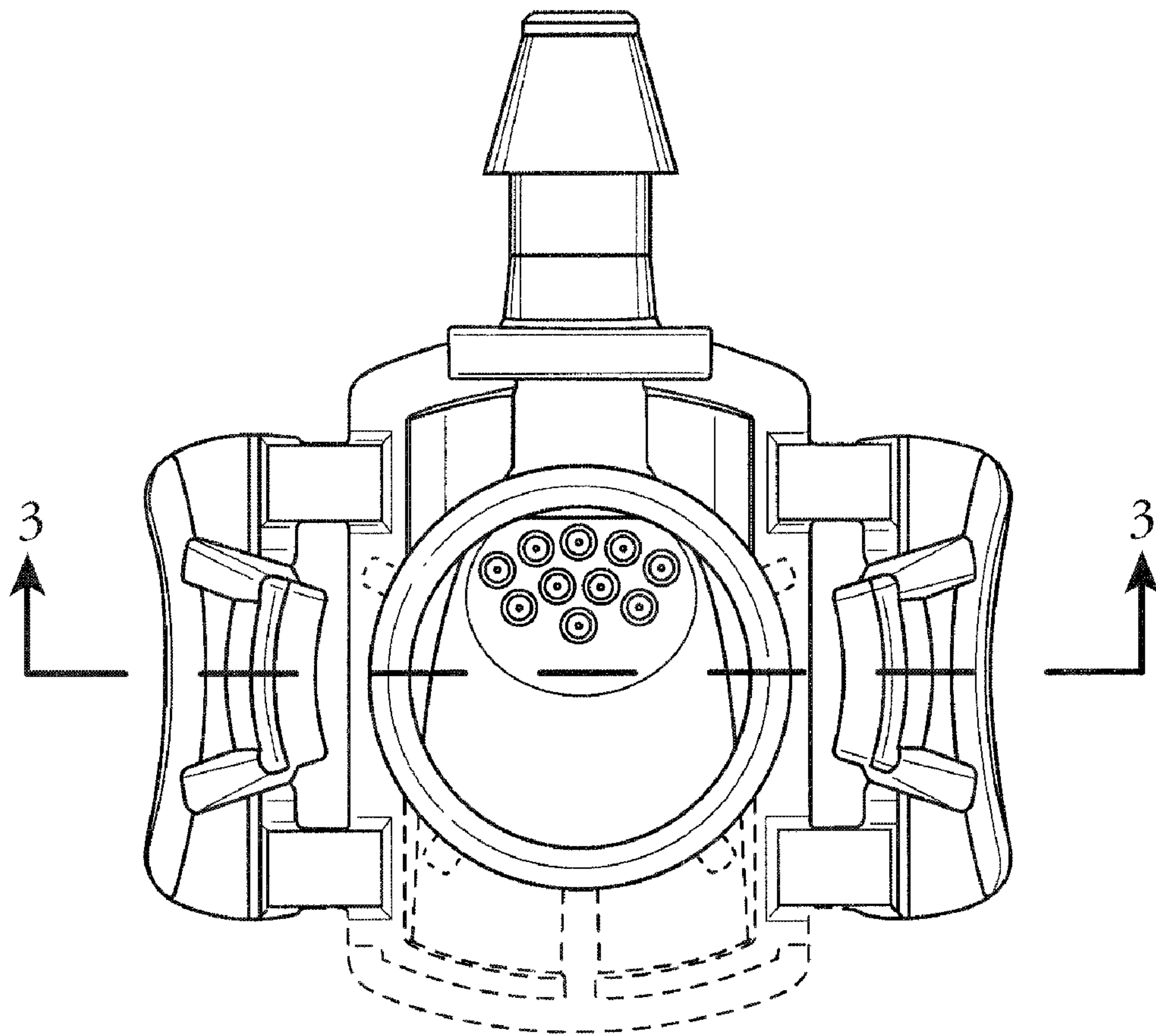


Fig. 2

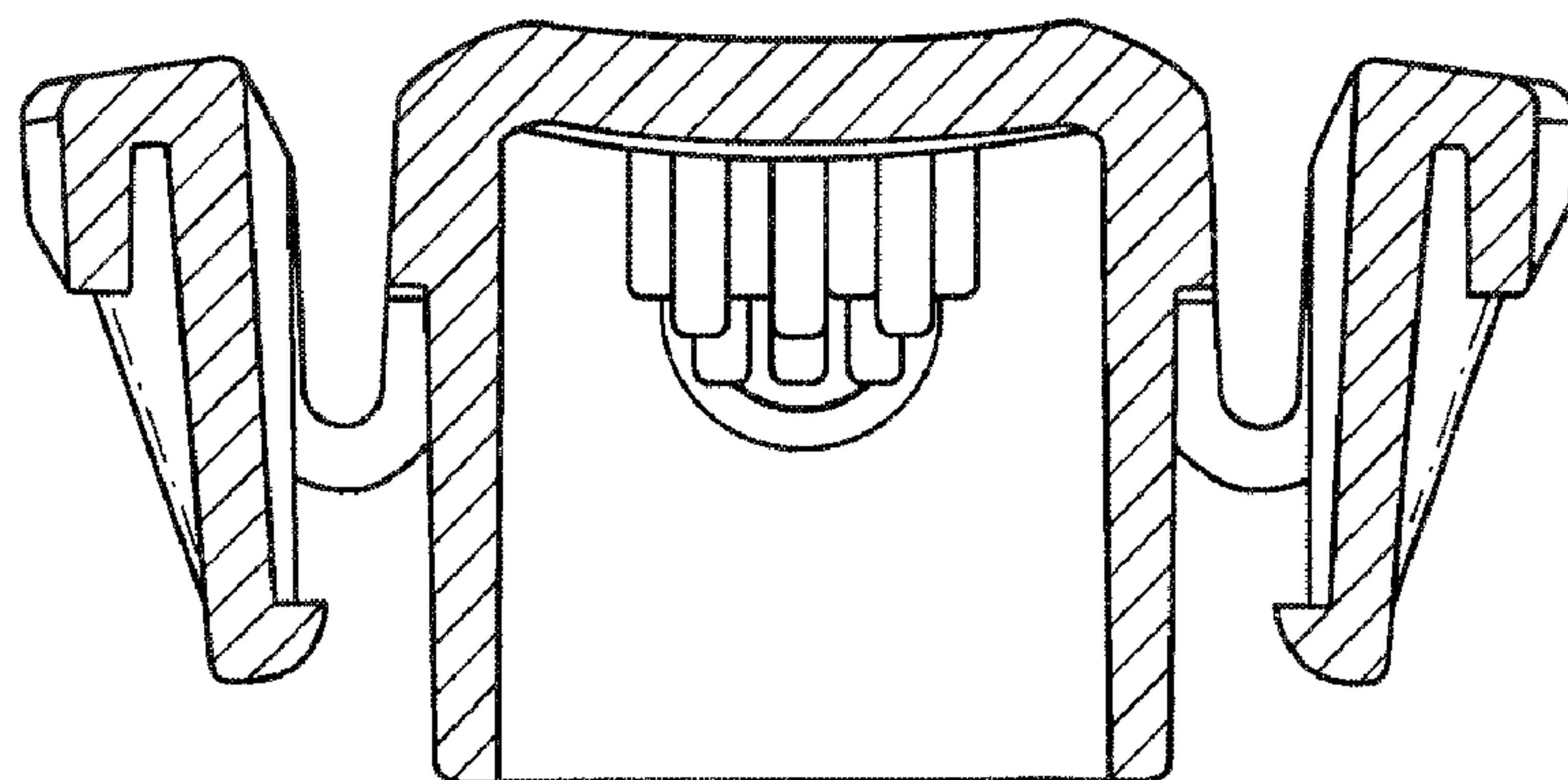


Fig. 3

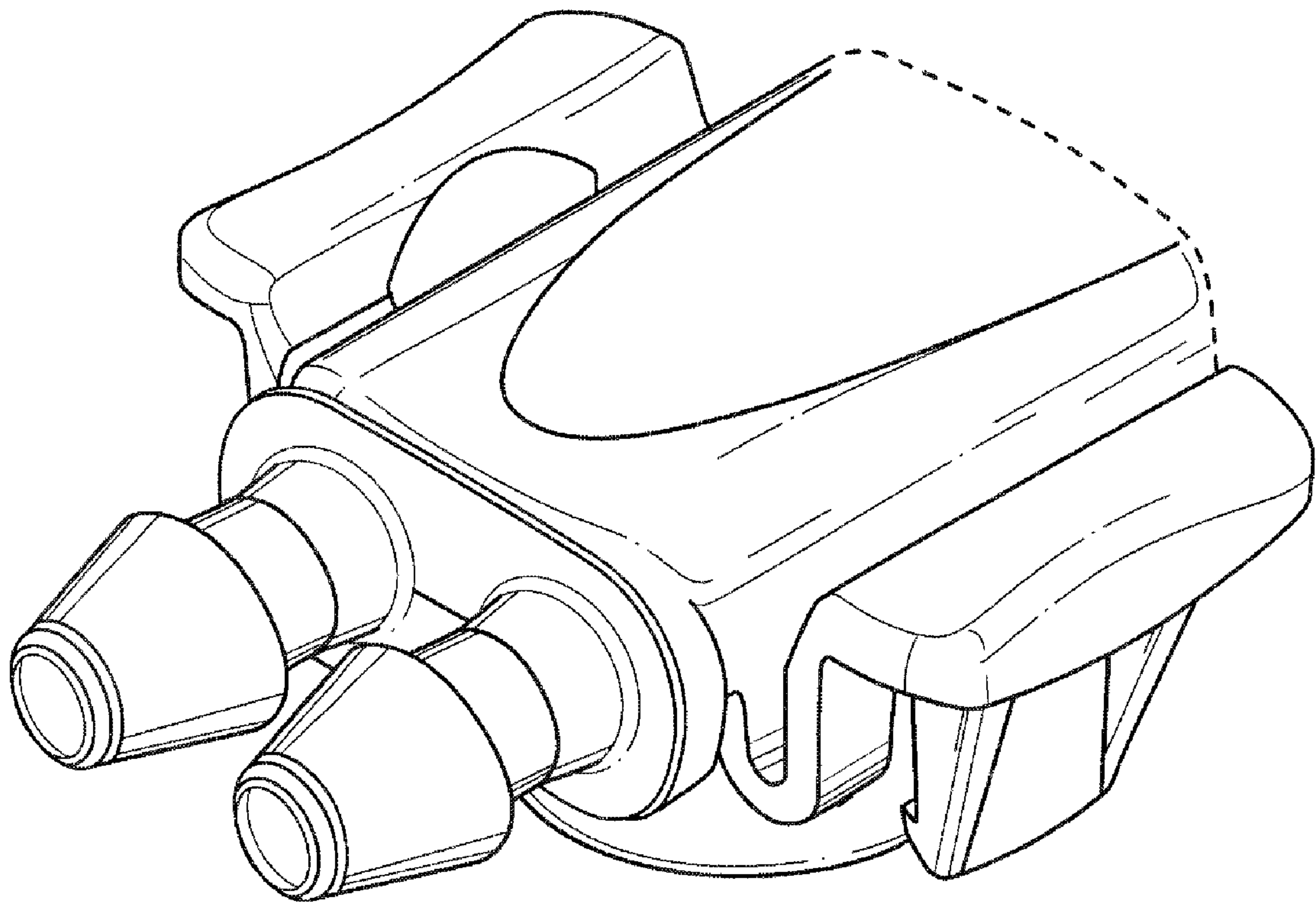


Fig. 4

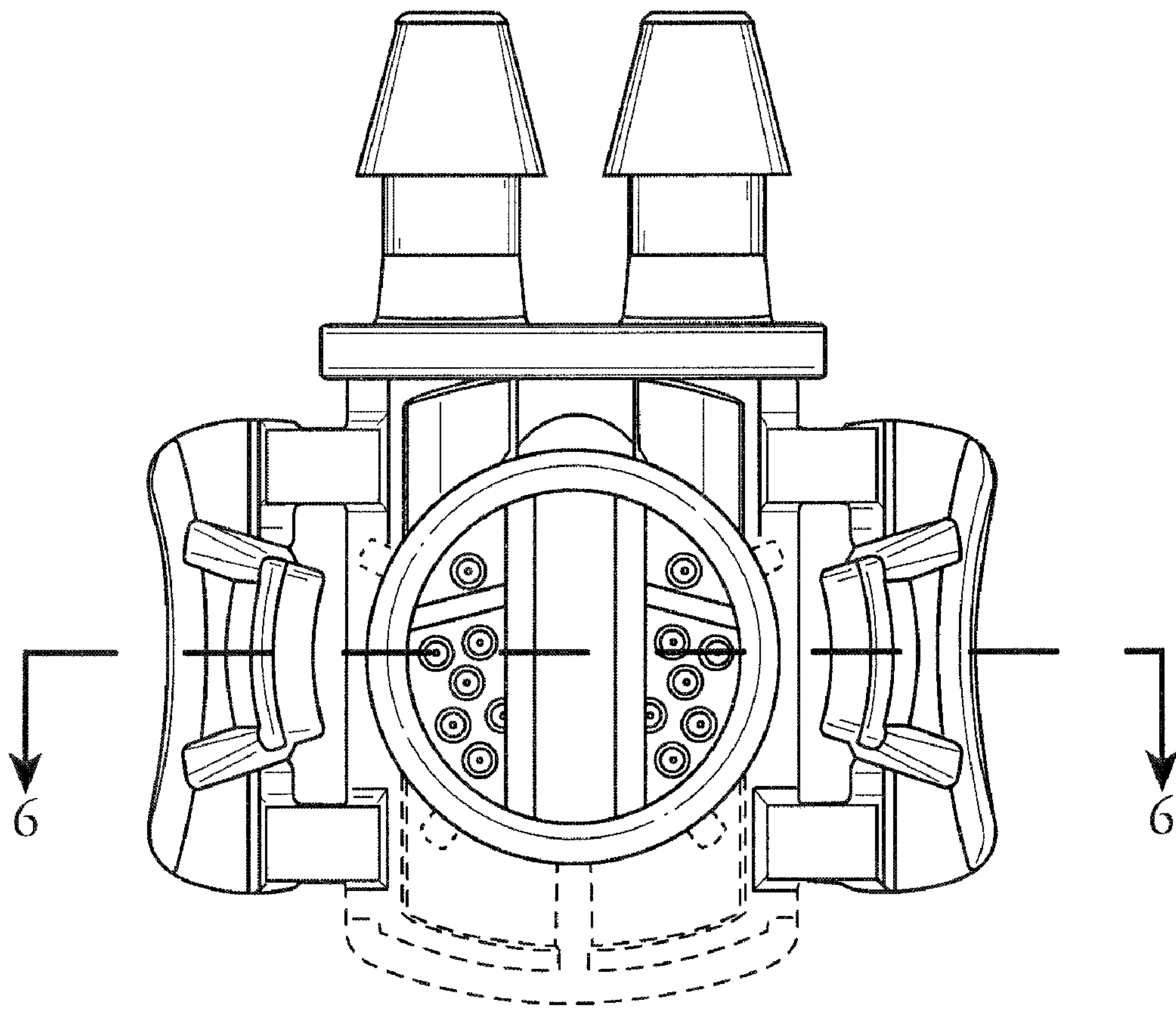


Fig. 5

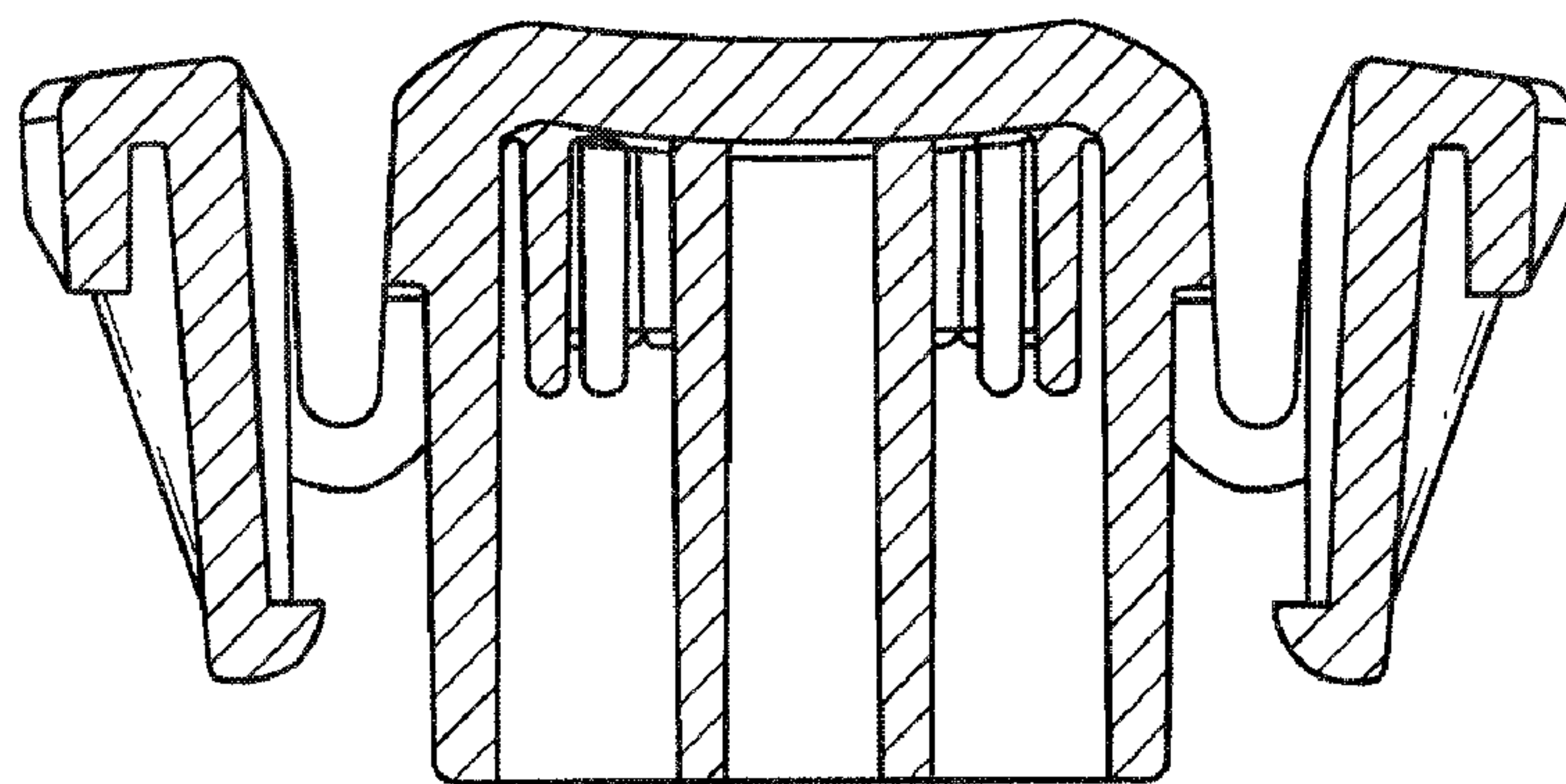


Fig. 6