



US00D575870S

(12) **United States Design Patent**
Sudo

(10) **Patent No.:** **US D575,870 S**

(45) **Date of Patent:** **** Aug. 26, 2008**

(54) **SYRINGE BARREL**

(75) Inventor: **Masamichi Sudo**, Tokyo (JP)

(73) Assignee: **Daikyo Seiko, Ltd.**, Tokyo (JP)

(**) Term: **14 Years**

(21) Appl. No.: **29/274,982**

(22) Filed: **Jun. 14, 2007**

(30) **Foreign Application Priority Data**

Dec. 15, 2006 (JP) 2006-034416

(51) **LOC (8) Cl.** **24-02**

(52) **U.S. Cl.** **D24/130**

(58) **Field of Classification Search** D24/112,
D24/114, 130; 604/181, 195, 110, 130, 87,
604/227, 232, 228, 191, 220, 222, 224, 218;
D20/42

See application file for complete search history.

(56) **References Cited**

U.S. PATENT DOCUMENTS

1,694,766	A *	12/1928	Brown	604/206
1,795,569	A *	3/1931	McCree	138/141
D99,428	S *	4/1936	Beardsley	D19/56
2,369,304	A *	2/1945	Lewis	604/209
4,562,844	A *	1/1986	Carpenter et al.	600/488
4,744,790	A *	5/1988	Jankowski et al.	604/232
5,035,703	A *	7/1991	Baskas	606/167
5,411,485	A *	5/1995	Tennican et al.	604/191
D416,286	S *	11/1999	Paras et al.	D19/49
6,155,420	A *	12/2000	Phillips	206/364
D515,222	S *	2/2006	Kieffer	D25/122
7,198,619	B2 *	4/2007	Bills et al.	604/218
2003/0040718	A1 *	2/2003	Kust et al.	604/224

2005/0196080 A1* 9/2005 Stone et al. 383/119
2007/0232995 A1* 10/2007 Samsoundar 604/93.01

* cited by examiner

Primary Examiner—Louis S Zarfaz

Assistant Examiner—Eric L Goodman

(74) *Attorney, Agent, or Firm*—Edwards Angell Palmer & Dodge LLP

(57) **CLAIM**

The ornamental design for a syringe barrel, as shown and described.

DESCRIPTION

This application is related to a pending U.S. Design patent application Ser. No. 29/274,977 entitled “Syringe Barrel” which was filed Jun. 14, 2007 in the name of Masamichi Sudo; and a co-pending U.S. patent application Ser. No. 11/808,992 entitled “Syringe Barrel and Syringe” which was filed Jun. 14, 2007 in both names of Masamichi Sudo and Hideaki Kawamura: which applications are assigned to the assignee of the present application and are incorporated by reference herein.

FIG. 1 is a perspective view of the syringe barrel;

FIG. 2 is a front/back view thereof;

FIG. 3 is a left/right side view thereof;

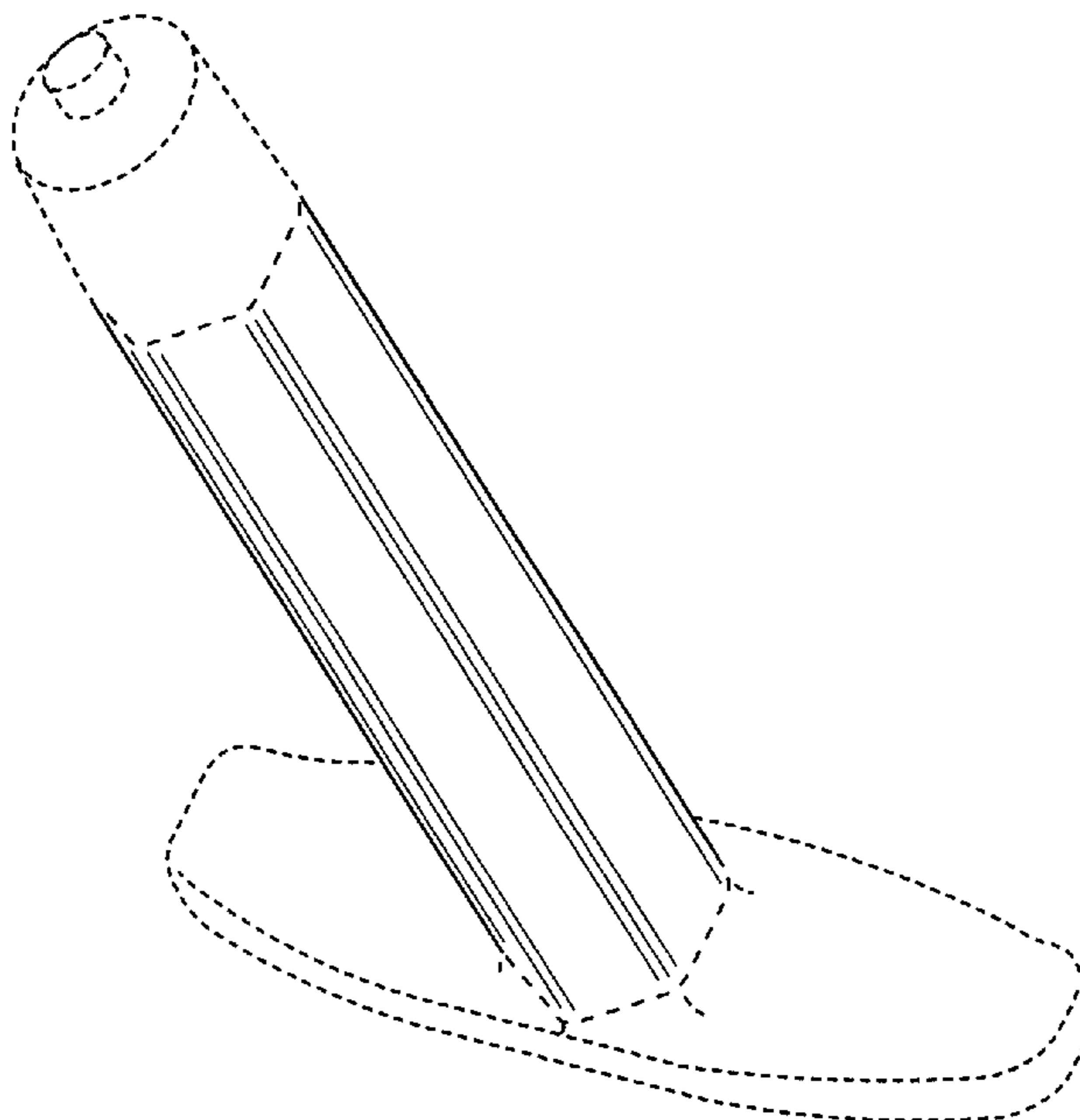
FIG. 4 is a top view thereof;

FIG. 5 is a bottom view thereof; and,

FIG. 6 is a cross-sectional view along the line 6—6 in FIG. 4.

The broken line showing is included for the purpose of illustrating portions of the article and forms no part of the claimed design

1 Claim, 5 Drawing Sheets



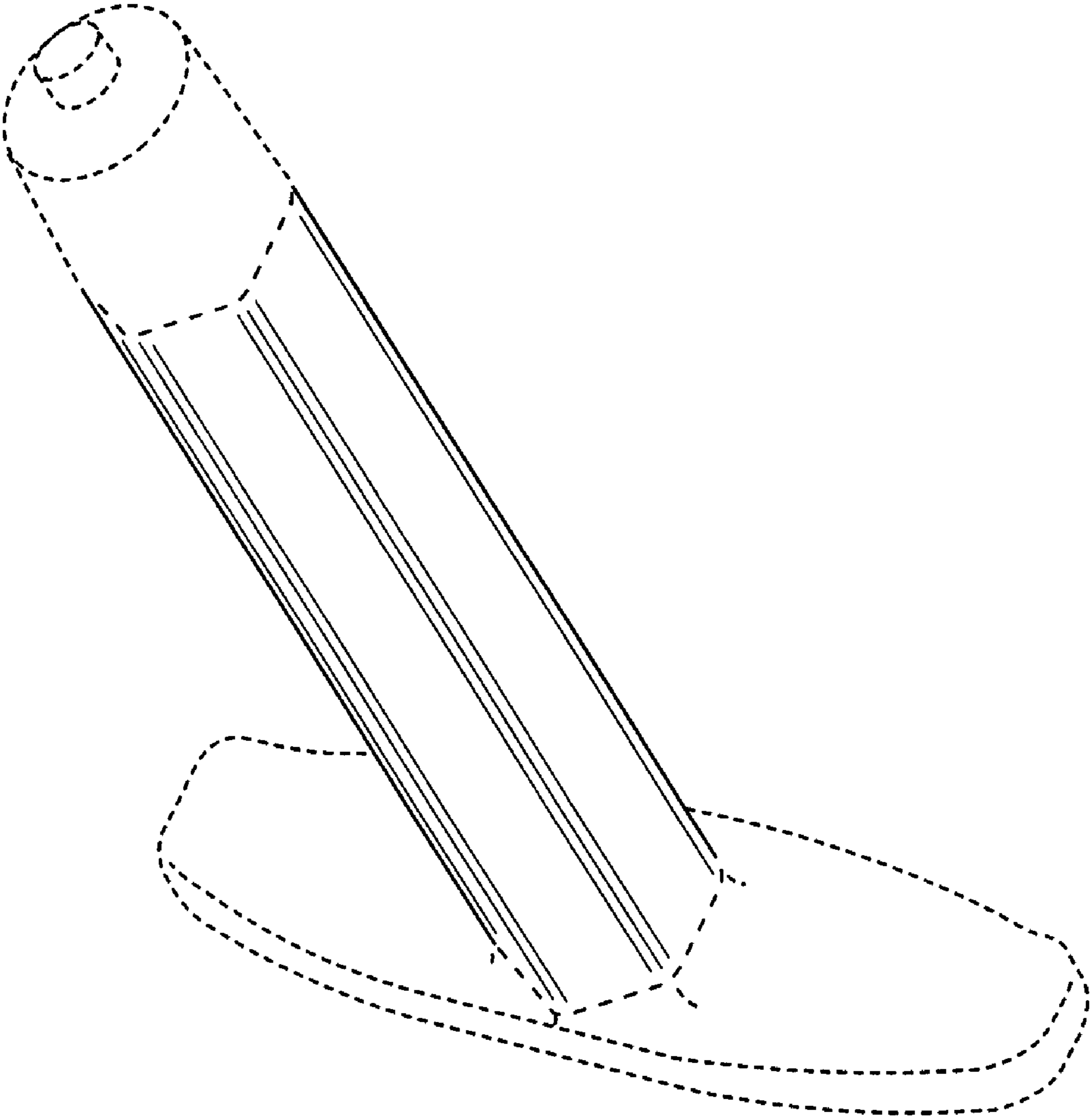


FIG.1

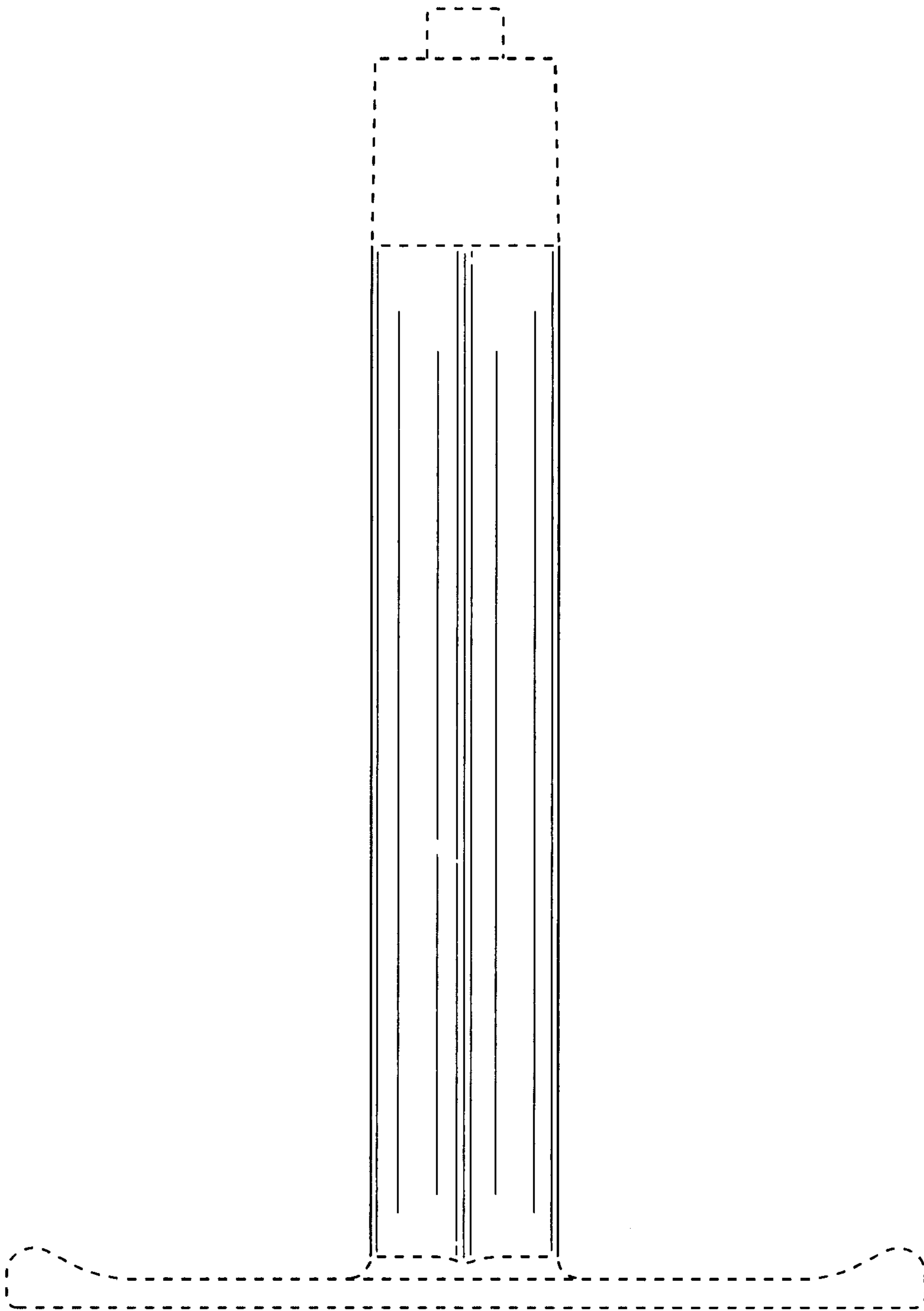


FIG. 2

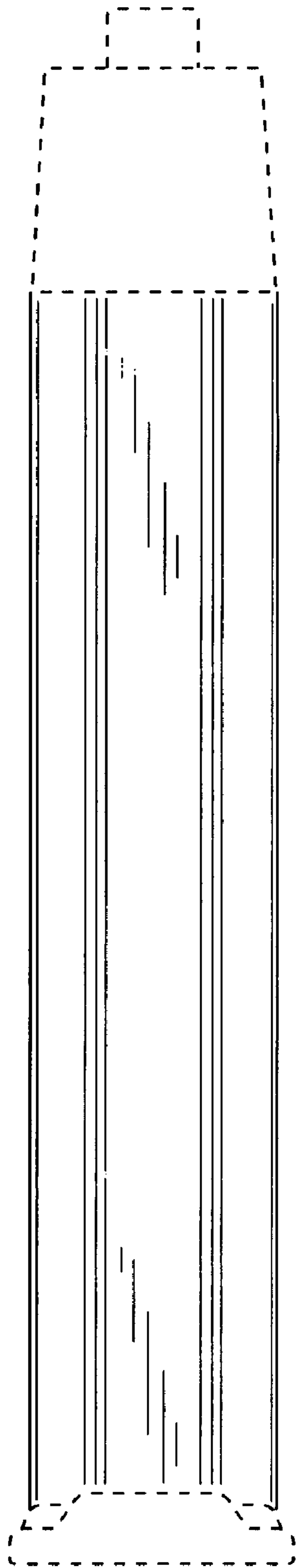


FIG.3

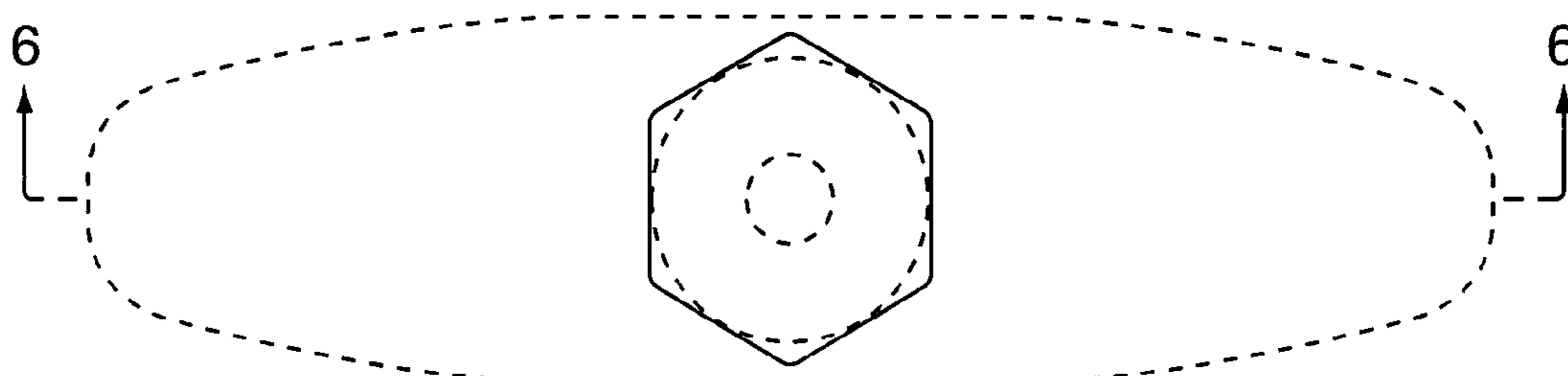


FIG. 4

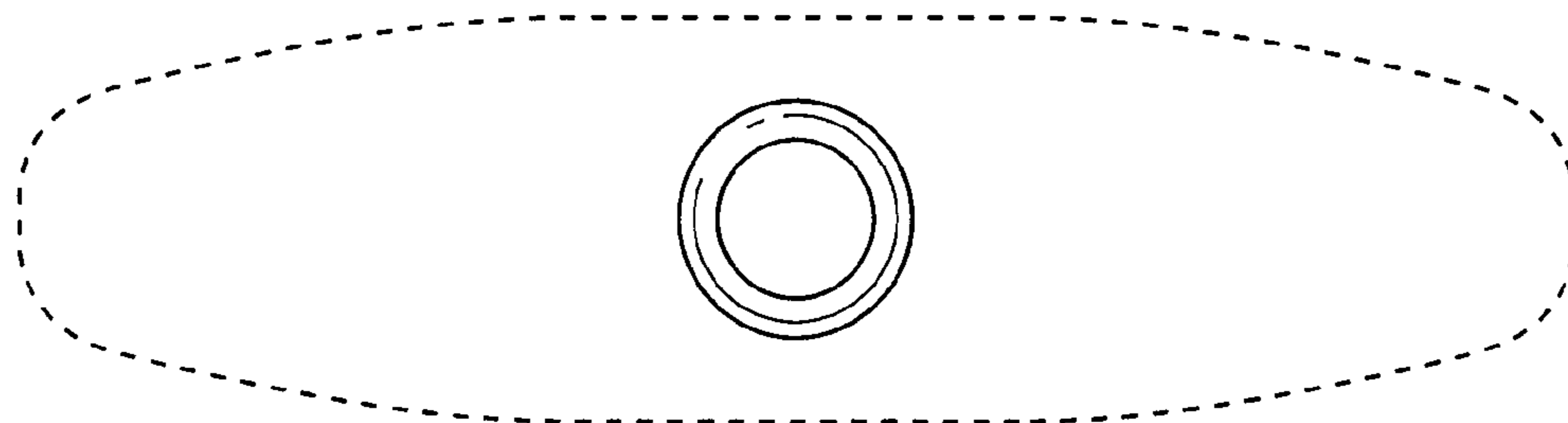


FIG. 5

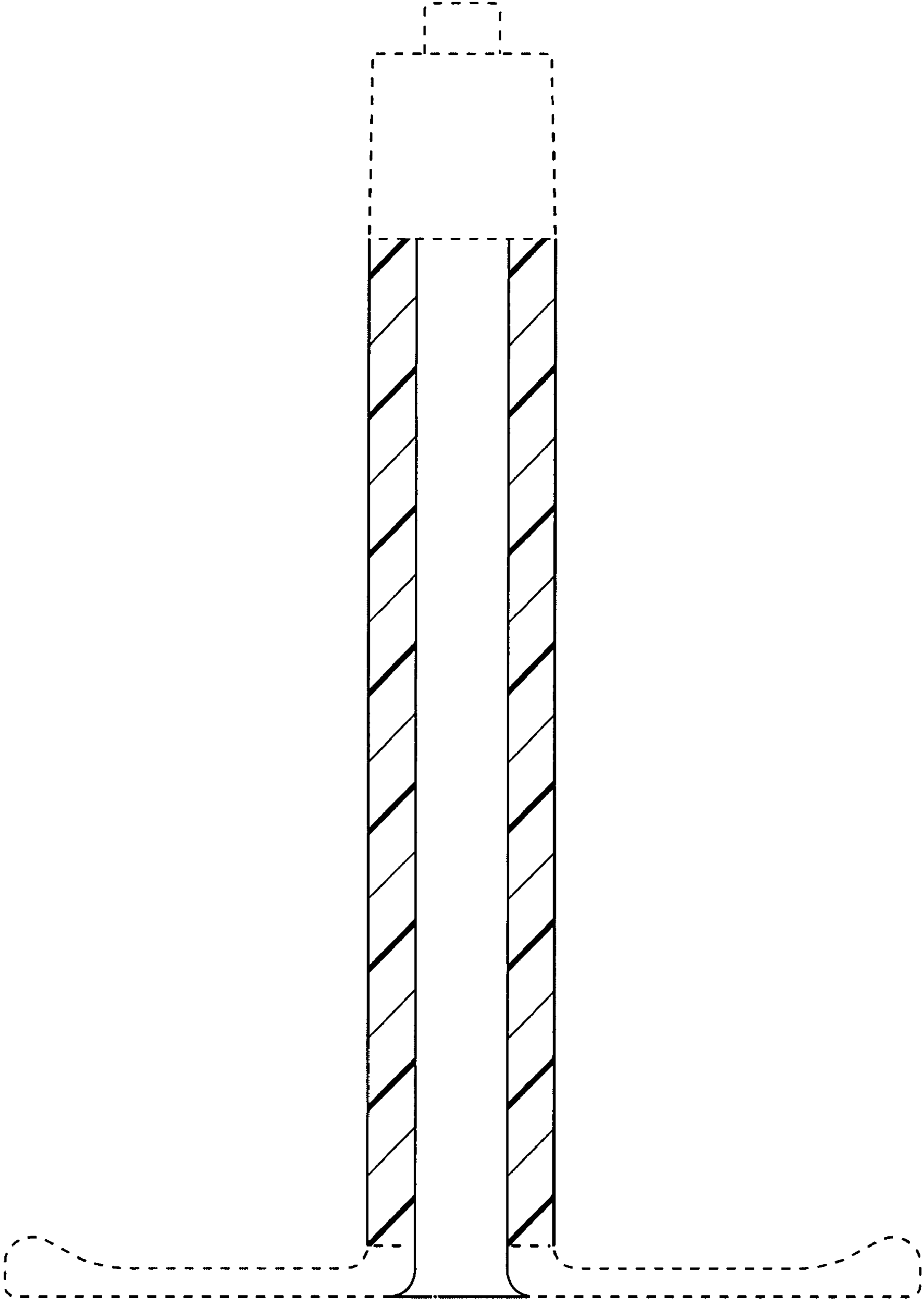


FIG.6