



US00D575869S

(12) **United States Design Patent**
Fujikawa et al.

(10) **Patent No.:** **US D575,869 S**
(45) **Date of Patent:** **** Aug. 26, 2008**

(54) **ABSORBENT PAD FOR BREAST MILK**

(75) Inventors: **Michiyo Fujikawa**, Kagawa-ken (JP);
Hikari Kawakami, Kagawa-ken (JP)

(73) Assignee: **Uni-Charm Corporation** (JP)

(**) Term: **14 Years**

(21) Appl. No.: **29/275,288**

(22) Filed: **Dec. 20, 2006**

(30) **Foreign Application Priority Data**

Jun. 23, 2006 (JP) 2006-016363

(51) **LOC (8) Cl.** **24-04**

(52) **U.S. Cl.** **D24/124**

(58) **Field of Classification Search** D2/717,
D2/760, 840, 844, 857, 858, 841, 847, 849,
D2/853, 860-864, 731, 735-739, 720; 2/275,
2/267, 227, 236, 237, 115, 119, 106, 77,
2/114, 90, 102, 103, 112, 463, 464, 48-52,
2/66, 91, 208, 111, 67; 433/137, 138; D24/124,
D24/126, 19, 207, 224; 604/385.07, 385.03,
604/388

See application file for complete search history.

(56) **References Cited**

U.S. PATENT DOCUMENTS

3,738,362 A * 6/1973 Sneider 604/366
4,674,510 A * 6/1987 Sneider 450/57
5,149,336 A * 9/1992 Clarke et al. 604/388
D347,278 S * 5/1994 Higa D24/124
D350,199 S * 8/1994 Gerhartl D24/125
D391,386 S * 3/1998 Sinclair D2/711
5,843,062 A * 12/1998 Reidmiller 604/378
6,074,272 A * 6/2000 Hebert 450/37
D432,233 S * 10/2000 Stasi et al. D24/124

H2062 H * 4/2003 Blaney et al. 602/46
D473,641 S * 4/2003 Kali D24/124
6,945,966 B2 * 9/2005 Mikami 604/346
7,008,409 B2 * 3/2006 Spiezio et al. 604/385.07
D551,428 S * 9/2007 Heo D2/712
7,300,330 B2 * 11/2007 Estrella Garrido 450/37

* cited by examiner

Primary Examiner—Charles A. Rademaker

Assistant Examiner—Charles D Hanson

(74) *Attorney, Agent, or Firm*—Lowe Hauptman Ham & Berner, LLP

(57) **CLAIM**

The ornamental design for an absorbent pad for breast milk, as shown and described.

DESCRIPTION

FIG. 1 is a front elevation view of an absorbent pad for breast milk showing our new design;

FIG. 2 is a rear elevation view thereof;

FIG. 3 is a right side elevation view thereof;

FIG. 4 is a left side elevation view thereof;

FIG. 5 is a top plan view thereof;

FIG. 6 is a bottom plan view thereof;

FIG. 7 is a cross-sectional view thereof taken along line A—A in FIG. 1;

FIG. 8 is a cross-sectional view thereof taken along line B—B in FIG. 2;

FIG. 9 is a cross-sectional view thereof taken along line C—C in FIG. 2;

FIG. 10 is cross-sectional view thereof taken along line D—D in FIG. 7 and shown on an enlarged scale; and,

FIG. 11 is a rear perspective view thereof.

1 Claim, 11 Drawing Sheets

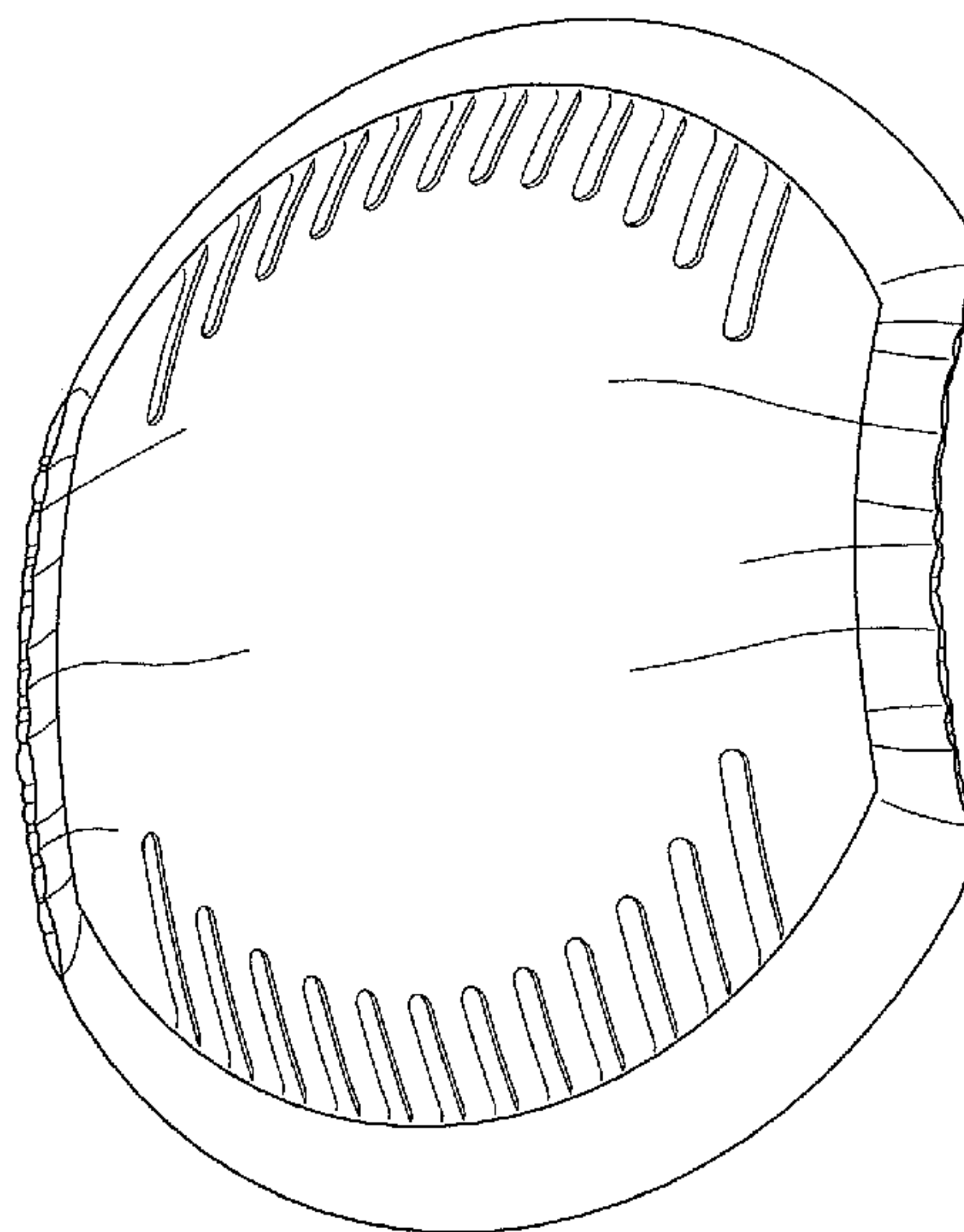


Fig. 1

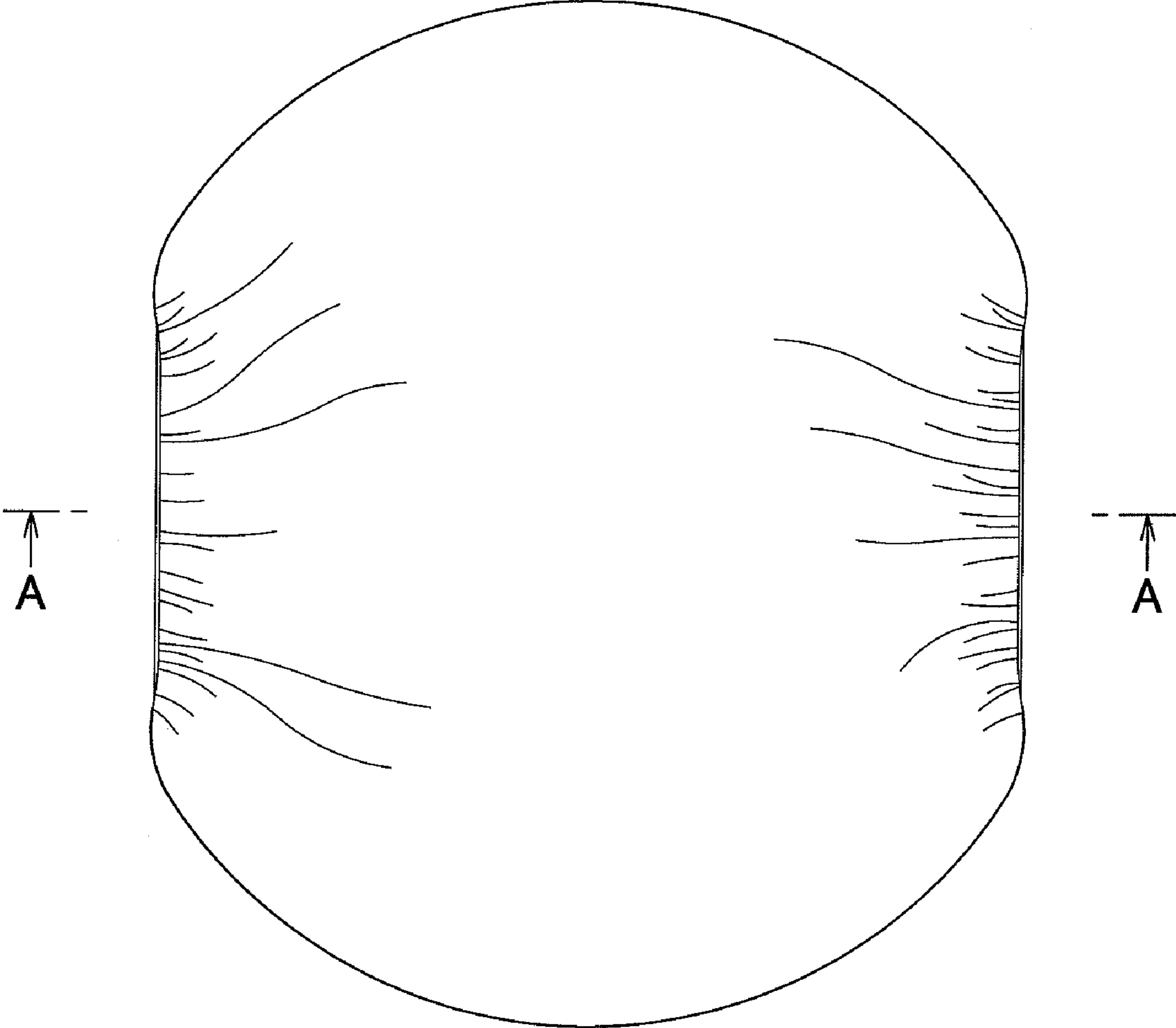


Fig. 2

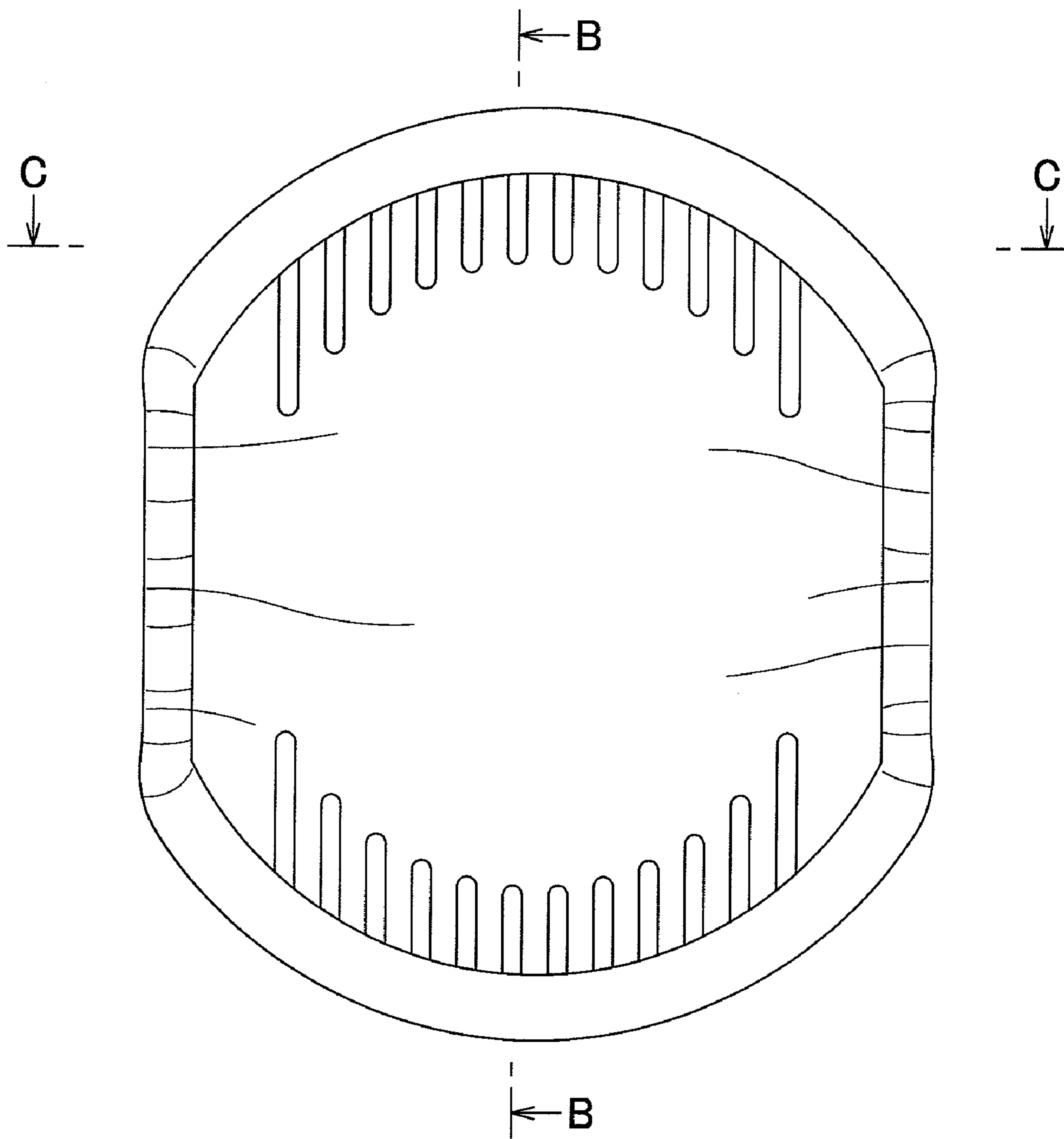


Fig. 3

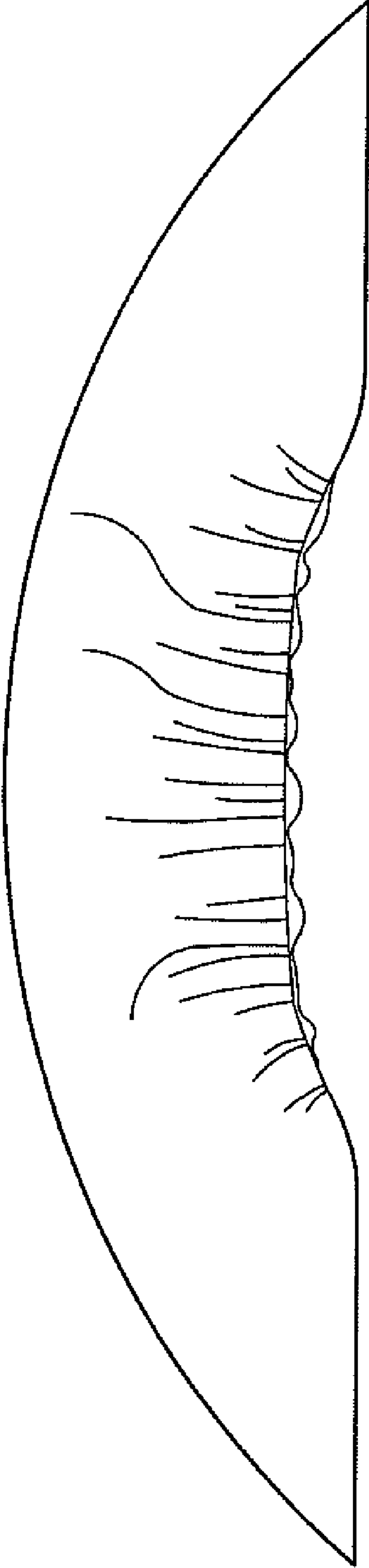


Fig. 4

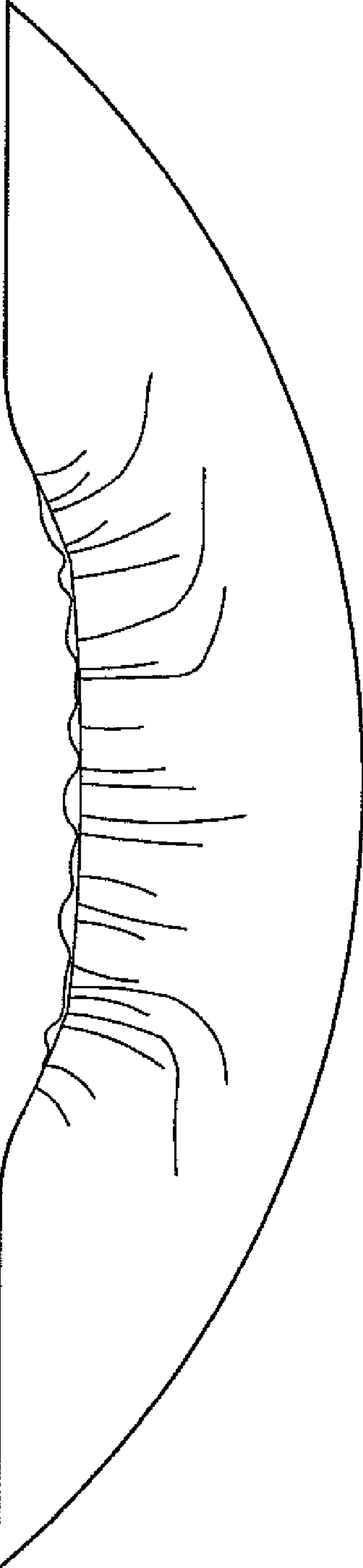


Fig. 5

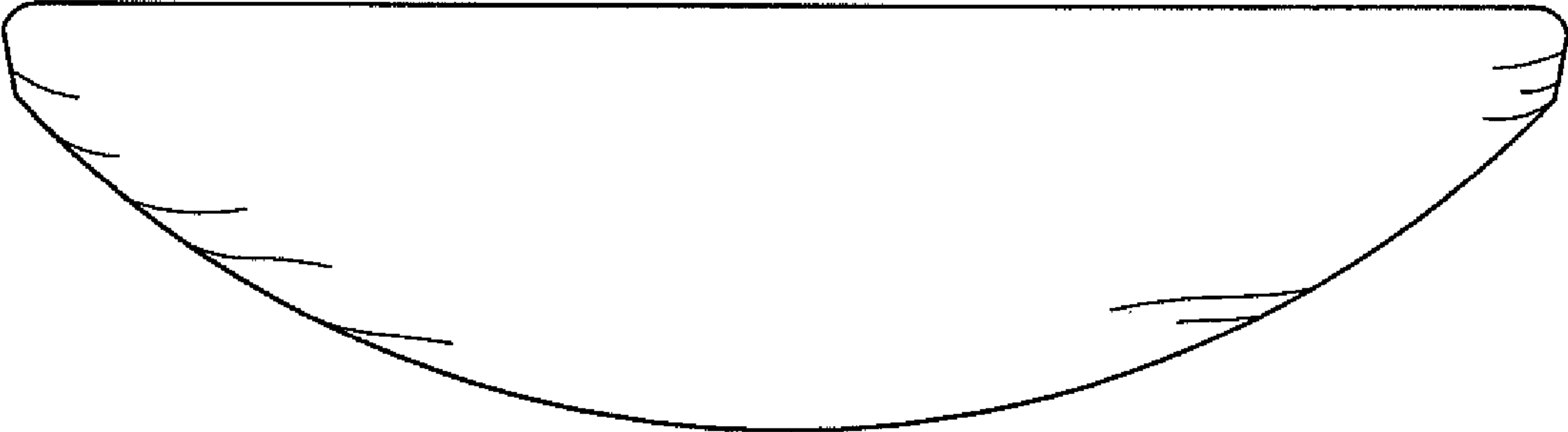


Fig. 6

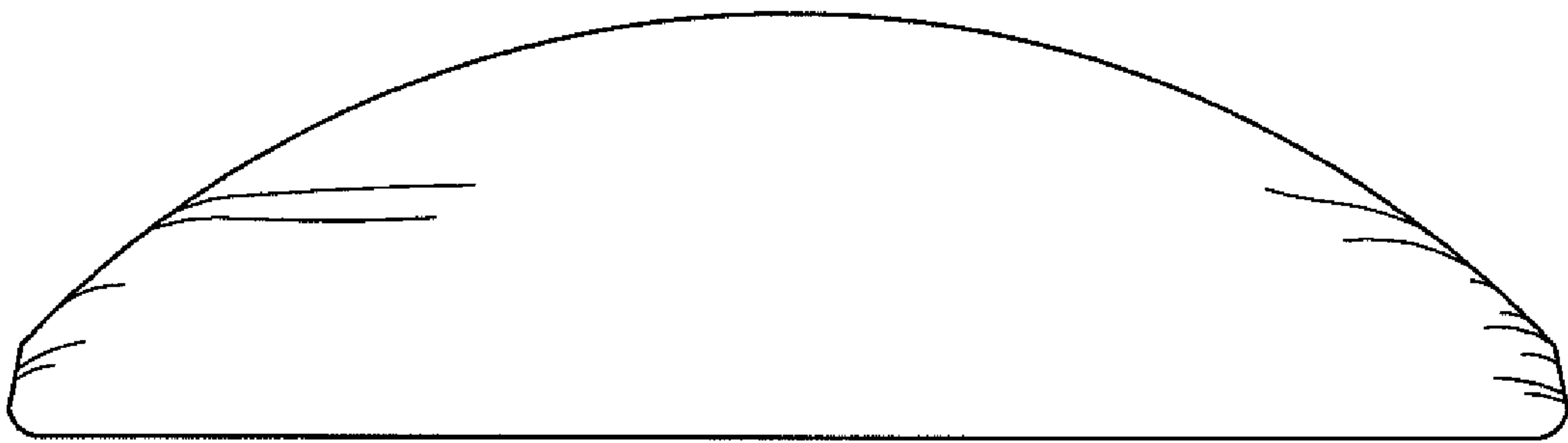


Fig. 7

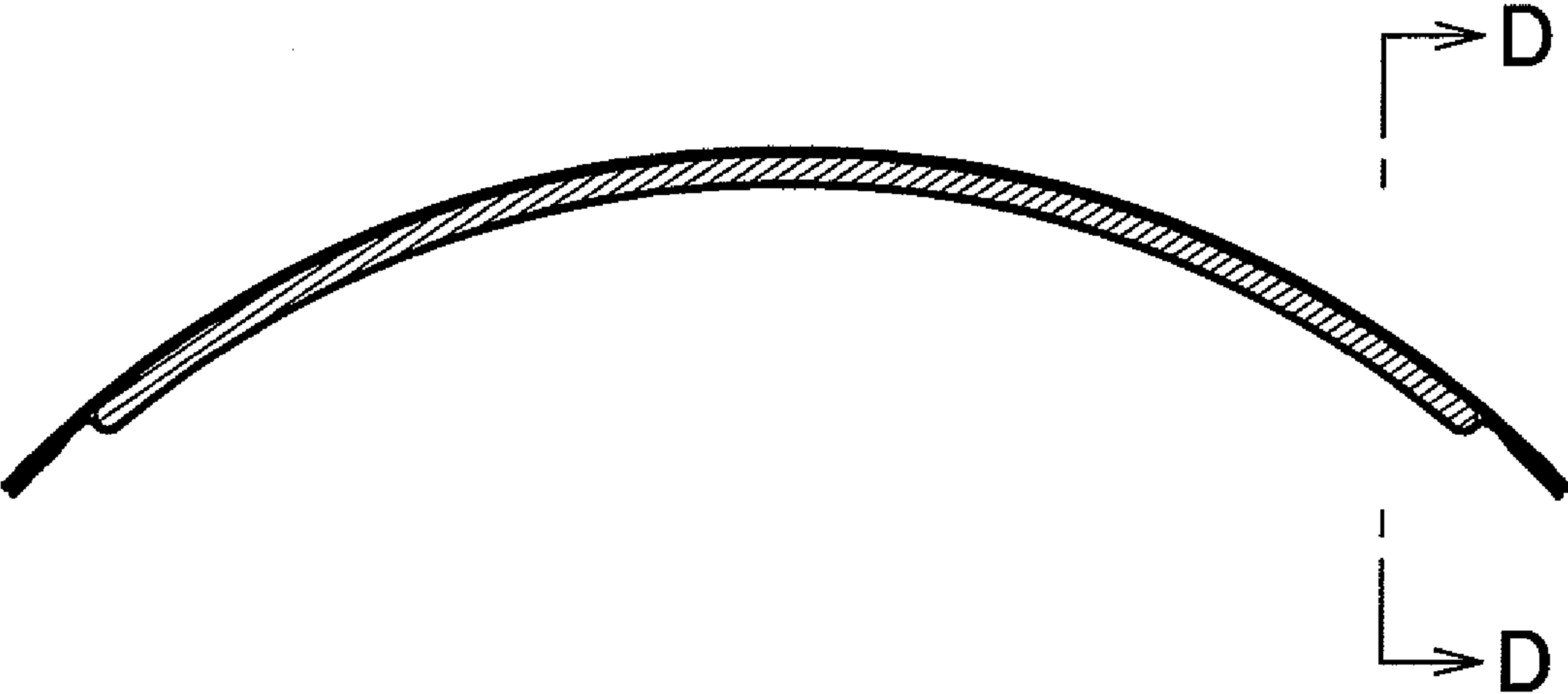


Fig. 8

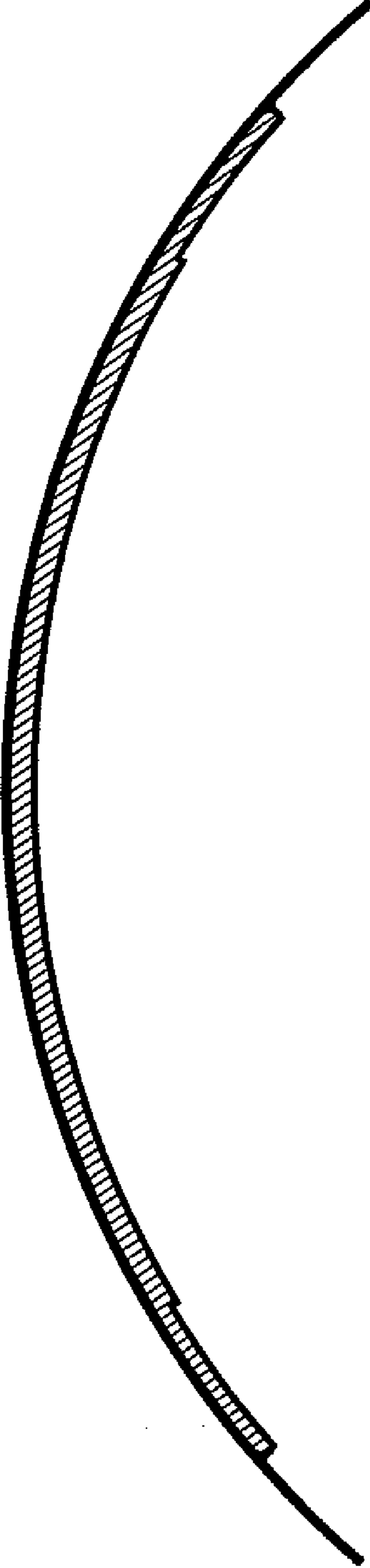


Fig. 9

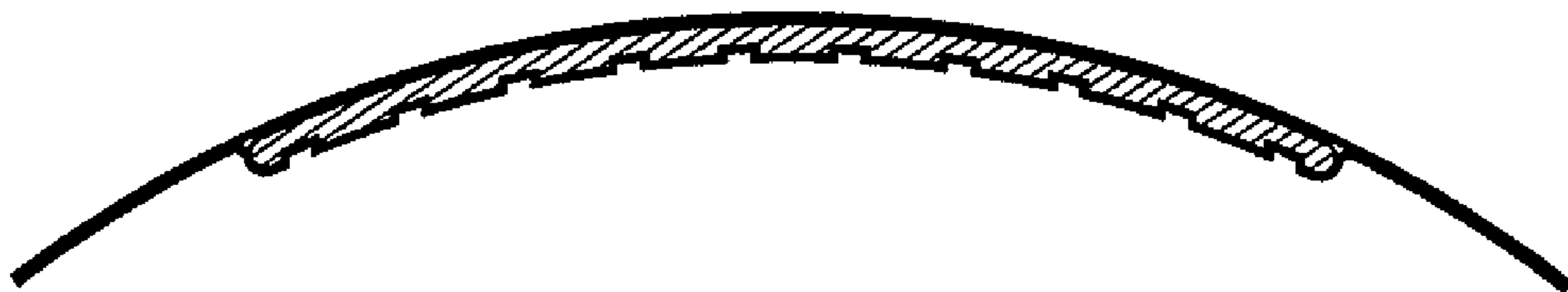


Fig. 10

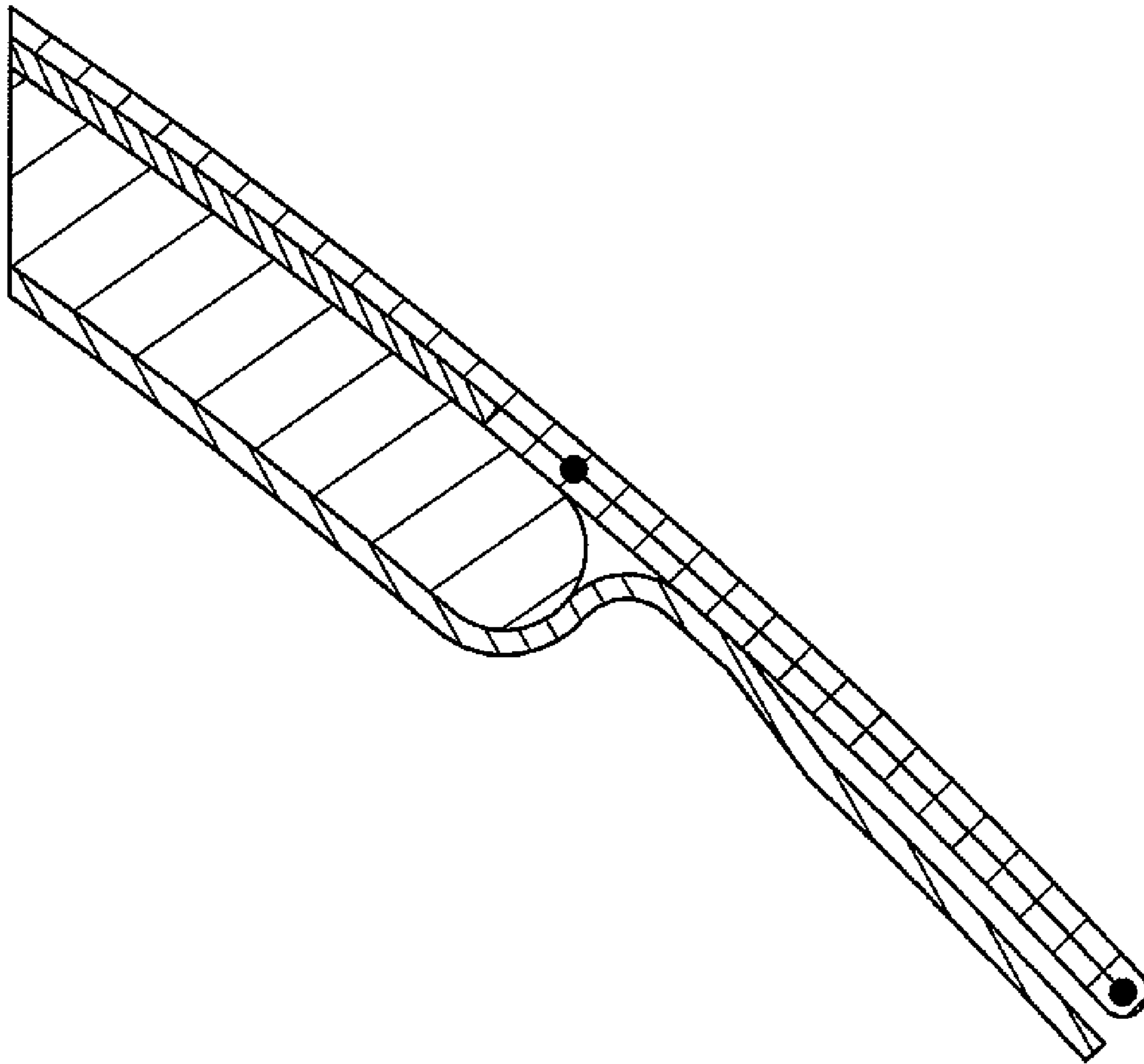


Fig. 11

