



US00D575867S

(12) **United States Design Patent**
Fujikawa et al.

(10) **Patent No.:** **US D575,867 S**
(45) **Date of Patent:** **** Aug. 26, 2008**

(54) **ABSORBENT PAD FOR BREAST MILK**

(75) Inventors: **Michiyo Fujikawa**, Kagawa-ken (JP);
Hikari Kawakami, Kagawa-ken (JP)

(73) Assignee: **Uni-Charm Corporation** (JP)

(**) Term: **14 Years**

(21) Appl. No.: **29/275,286**

(22) Filed: **Dec. 20, 2006**

(30) **Foreign Application Priority Data**

Jun. 23, 2006 (JP) 2006-016365

(51) **LOC (8) Cl.** **24-04**

(52) **U.S. Cl.** **D24/124**

(58) **Field of Classification Search** D2/717,
D2/760, 840, 844, 857, 858, 841, 847, 849,
D2/853, 860-864, 731, 735-739, 720; 2/275,
2/267, 227, 236, 237, 115, 119, 106, 77,
2/114, 90, 102, 103, 112, 463, 464, 48-52,
2/66, 91, 208, 111, 67; 433/137, 138; D24/124,
D24/126, 189, 207; 604/385.07, 385.03,
604/388

See application file for complete search history.

(56) **References Cited**

U.S. PATENT DOCUMENTS

3,738,362	A *	6/1973	Sneider	604/366
4,674,510	A *	6/1987	Sneider	450/57
5,149,336	A *	9/1992	Clarke et al.	604/388
D347,278	S *	5/1994	Higa	D24/124
D350,199	S *	8/1994	Gerhartl	D24/125
D391,386	S *	3/1998	Sinclair	D2/711
5,843,062	A *	12/1998	Reidmiller	604/378
6,074,272	A *	6/2000	Hebert	450/37

D432,233	S *	10/2000	Stasi et al.	D24/124
H2062	H *	4/2003	Blaney et al.	602/46
D473,641	S *	4/2003	Kali	D24/124
6,945,966	B2 *	9/2005	Mikami	604/346
7,008,409	B2 *	3/2006	Spiezio et al.	604/385.07
D551,428	S *	9/2007	Heo	D2/712
7,300,330	B2 *	11/2007	Estrella Garrido	450/37

* cited by examiner

Primary Examiner—Charles A. Rademaker

Assistant Examiner—Charles D Hanson

(74) *Attorney, Agent, or Firm*—Lowe Hauptman Ham & Berner, LLP

(57) **CLAIM**

The ornamental design for an absorbent pad for breast milk, as shown and described.

DESCRIPTION

FIG. 1 is a front elevation view of an absorbent pad for breast milk showing our new design;

FIG. 2 is a rear elevation view thereof;

FIG. 3 is a right side elevation view thereof;

FIG. 4 is a left side elevation view thereof;

FIG. 5 is a top plan view thereof;

FIG. 6 is a bottom plan view thereof;

FIG. 7 is a cross-sectional view thereof taken along line A—A in FIG. 1;

FIG. 8 is a cross-sectional view thereof taken along line B—B in FIG. 1;

FIG. 9 is cross-sectional view thereof taken along line C—C in FIG. 7 and shown on an enlarged scale; and,

FIG. 10 is a rear perspective view thereof.

1 Claim, 10 Drawing Sheets

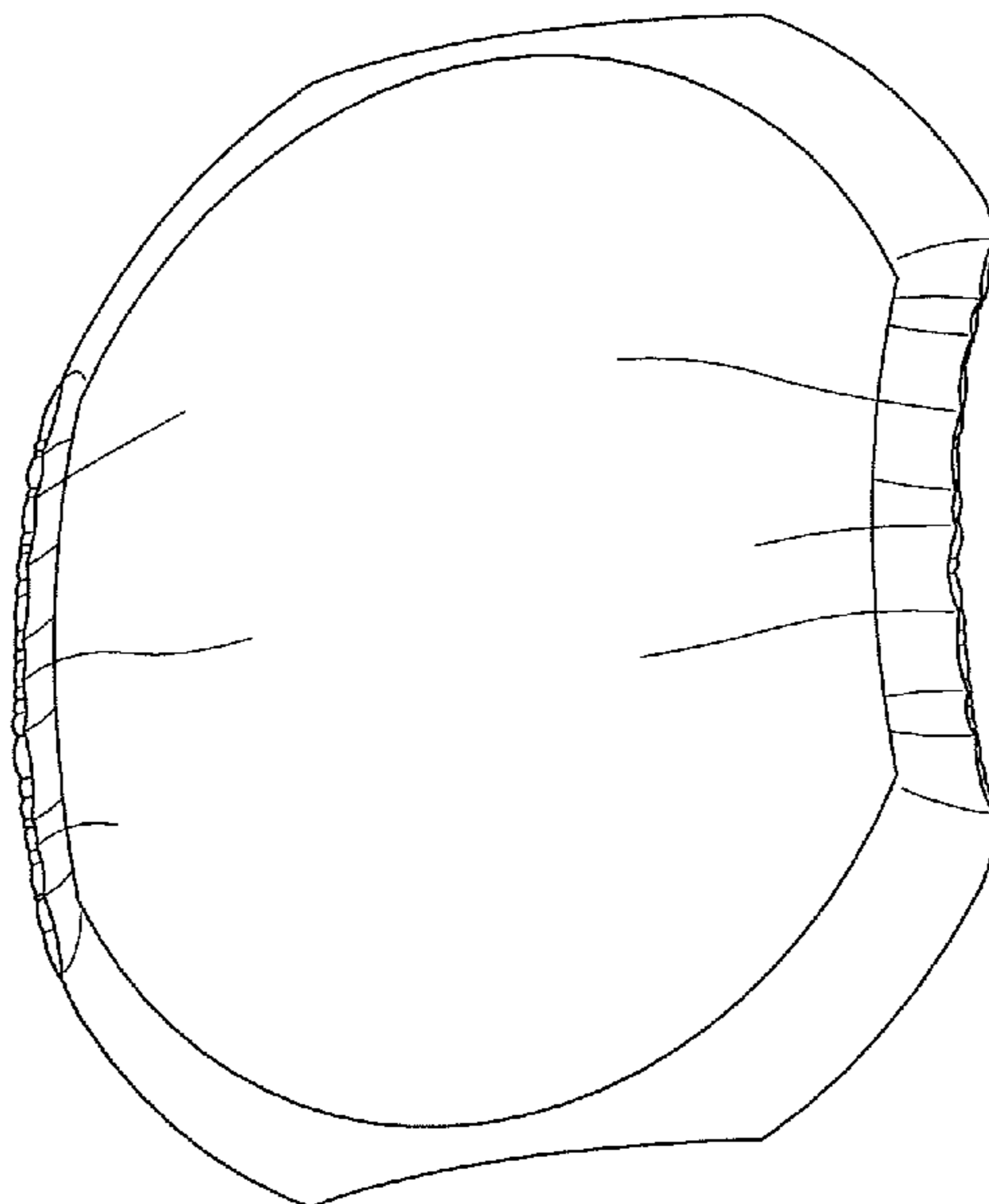


Fig. 1

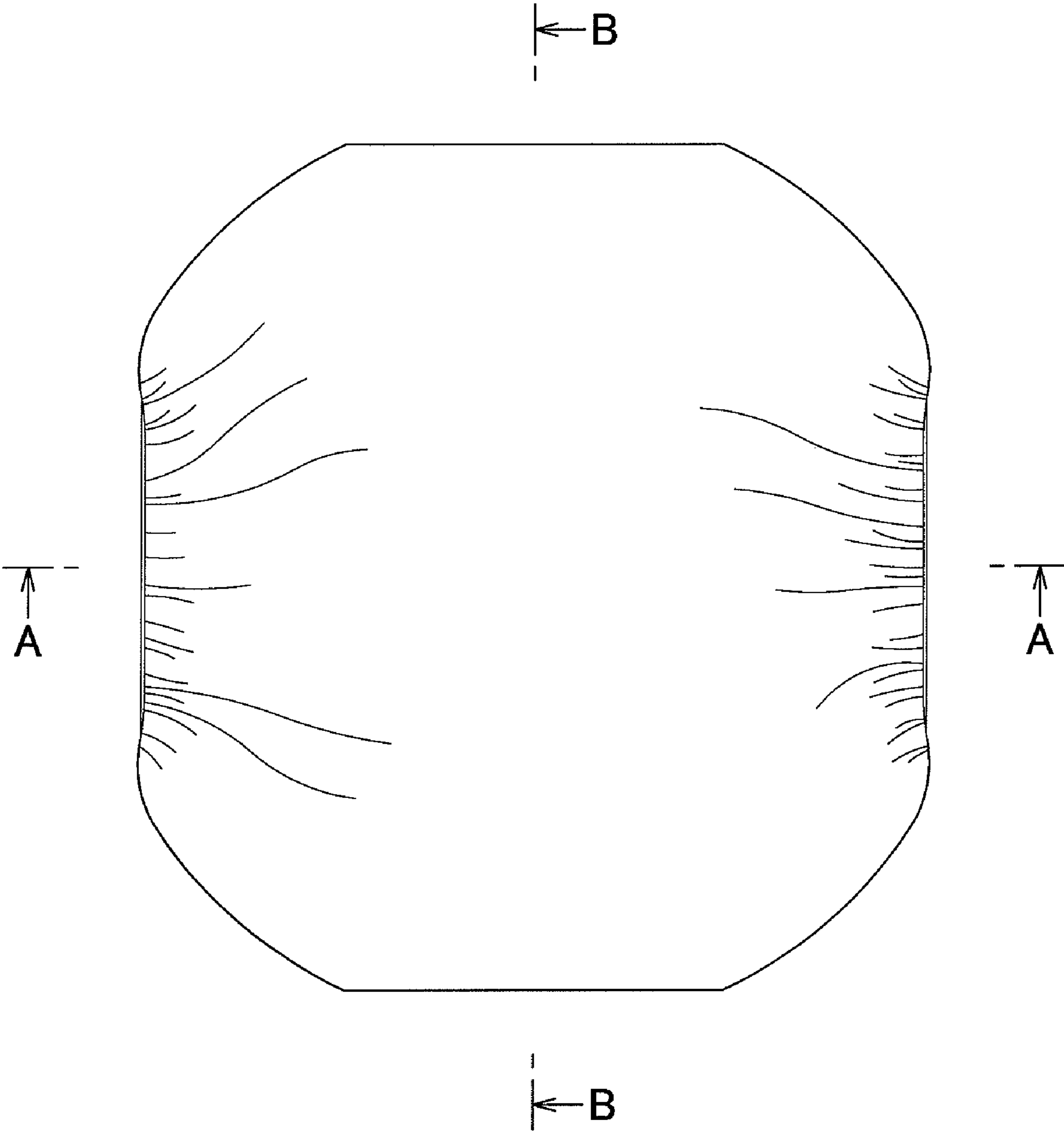


Fig. 2

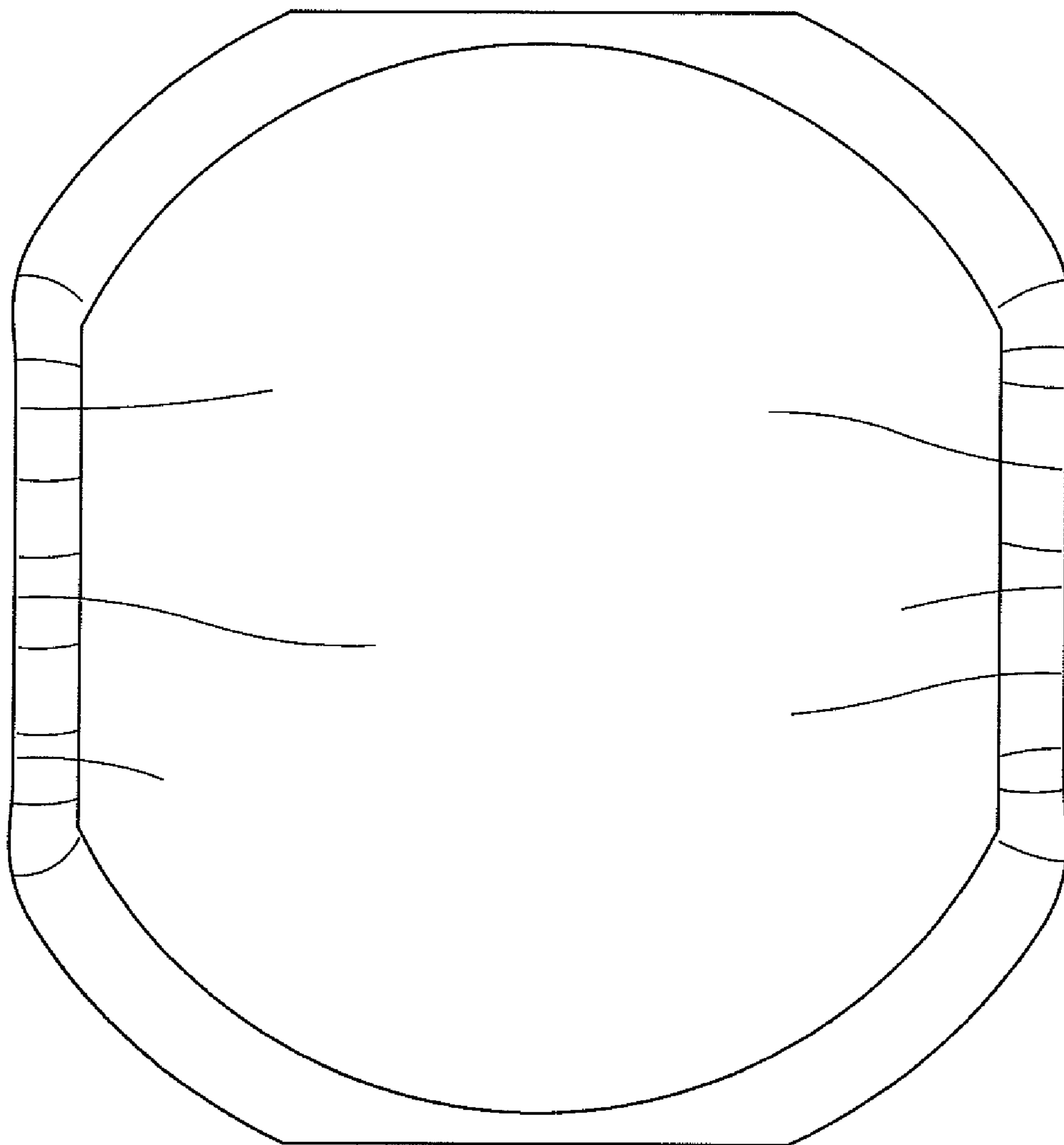


Fig. 3

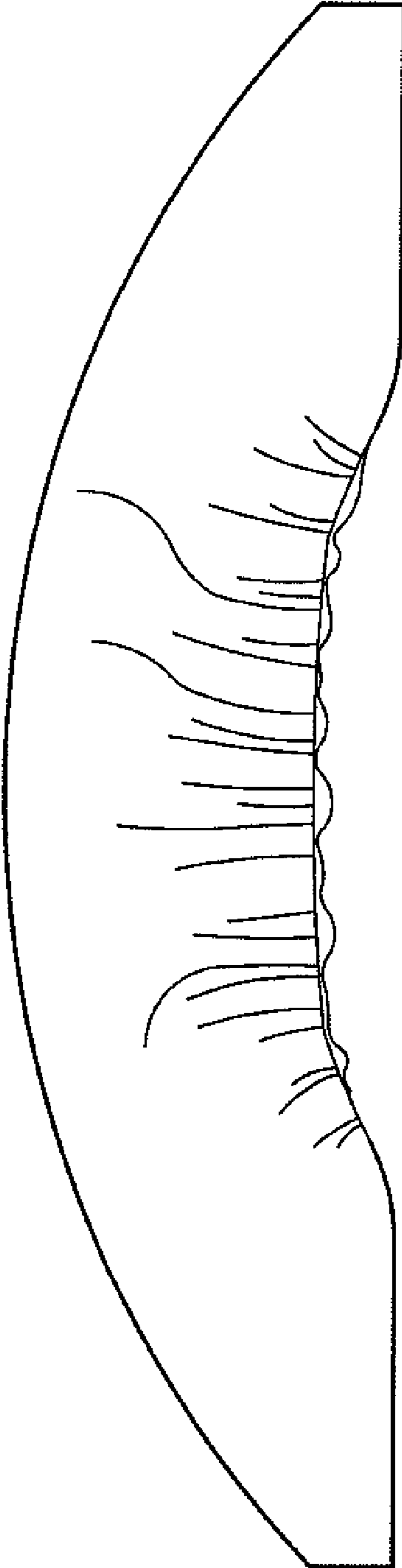


Fig. 4

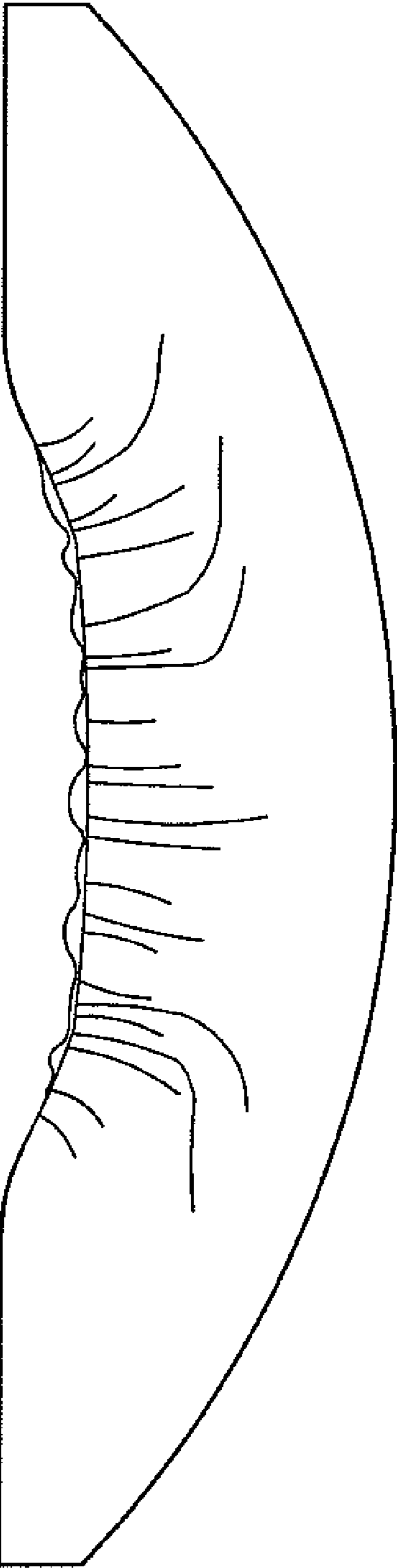


Fig. 5

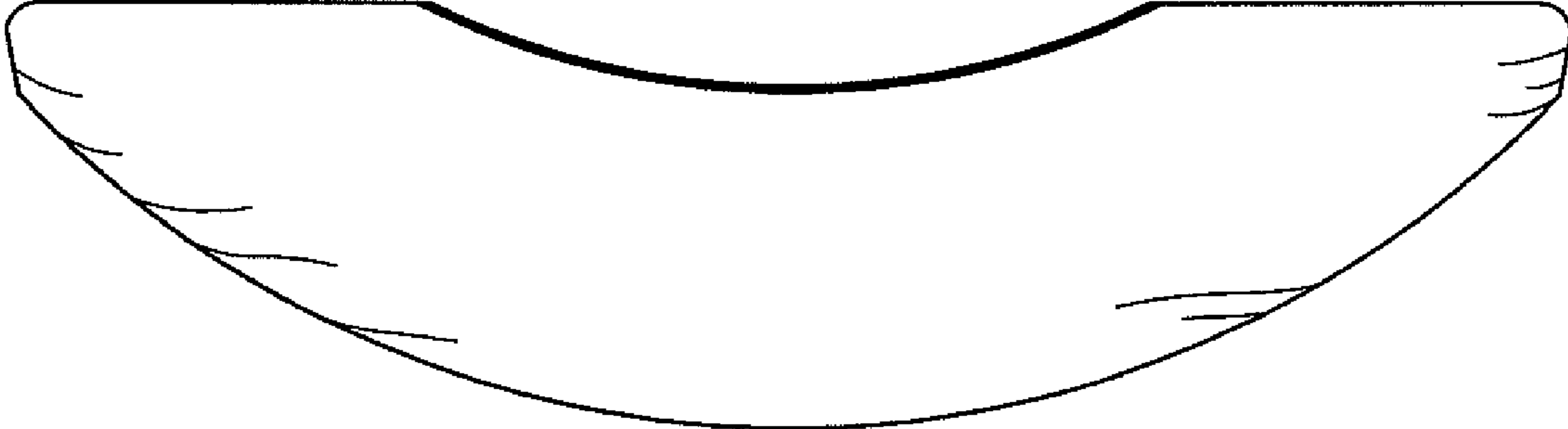


Fig. 6

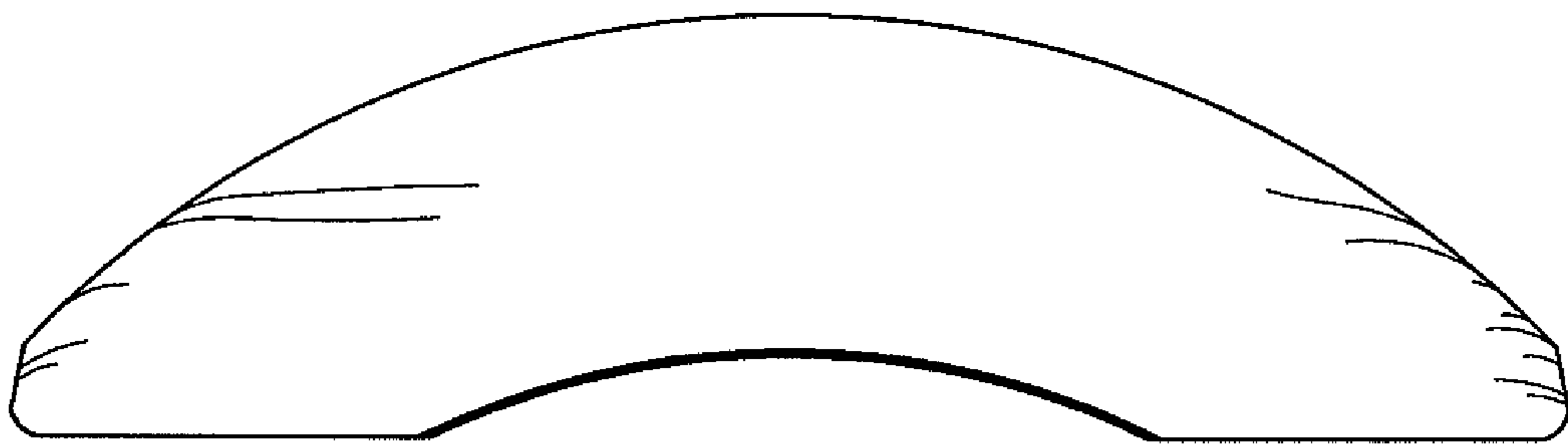


Fig. 7

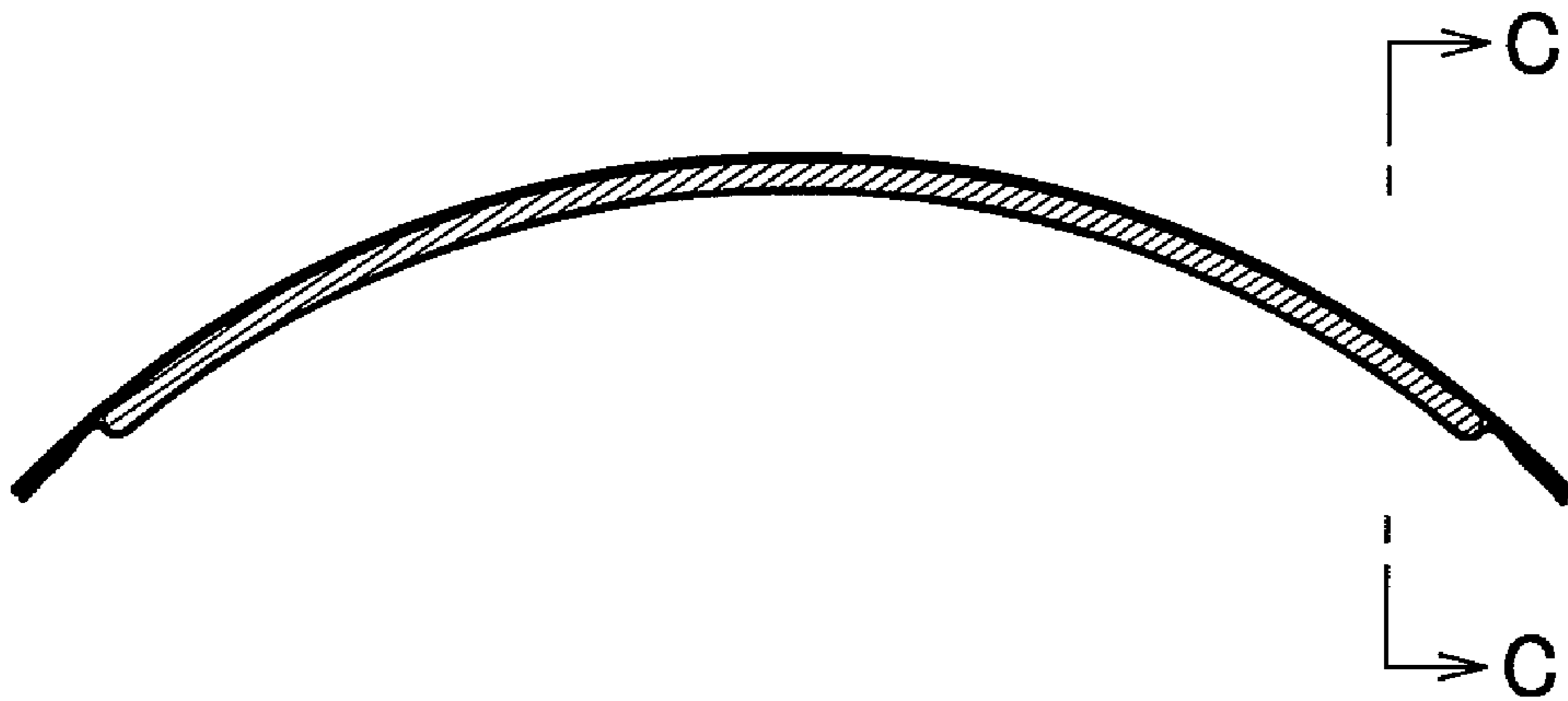


Fig. 8

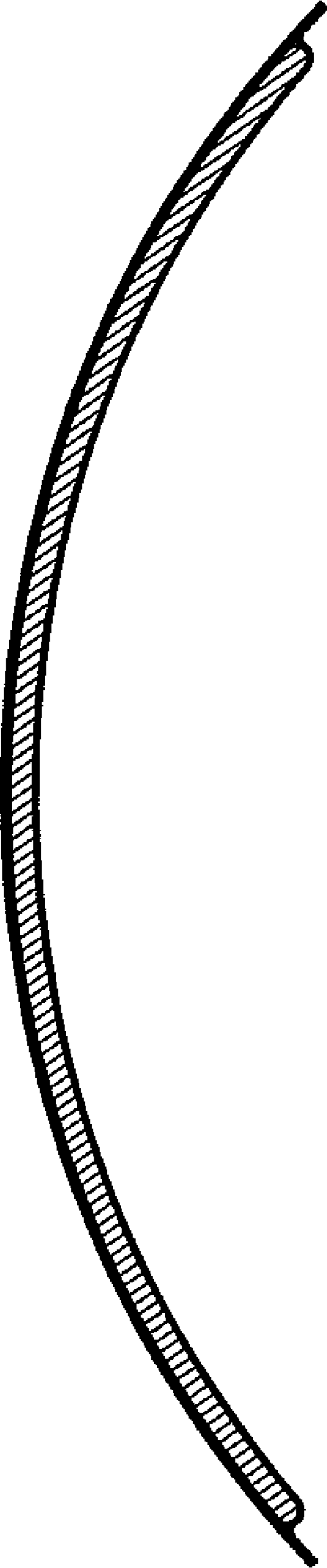


Fig. 9

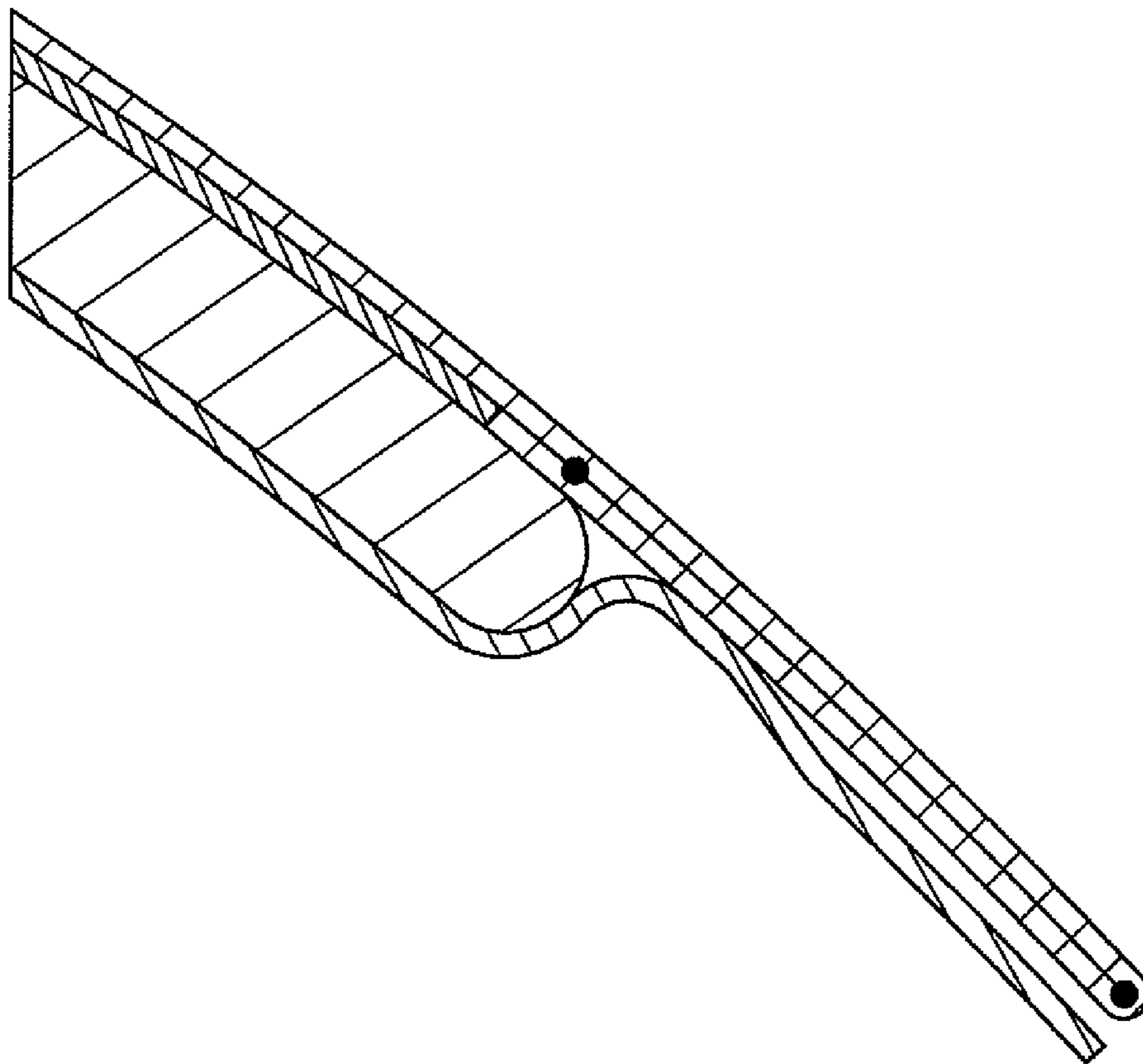


Fig. 10

