



US00D575863S

(12) **United States Design Patent**
Bucher et al.

(10) **Patent No.:** **US D575,863 S**
(45) **Date of Patent:** **** Aug. 26, 2008**

(54) **CEILING FAN HOUSING**

(75) Inventors: **John C. Bucher**, Hillsboro Bch, FL (US); **Scott Searle**, Wan Chai (HK); **Tien S. Lowe**, Pembroke Pines, FL (US)

(73) Assignee: **King of Fans, Inc.**, Ft. Lauderdale, FL (US)

(**) Term: **14 Years**

(21) Appl. No.: **29/251,926**

(22) Filed: **Jan. 13, 2006**

(51) **LOC (8) Cl.** **23-04**

(52) **U.S. Cl.** **D23/411**

(58) **Field of Classification Search** D23/377,
D23/379, 385, 411, 413; 416/5
See application file for complete search history.

(56) **References Cited**

U.S. PATENT DOCUMENTS

D364,224 S	11/1995	Wang	D23/377
D364,678 S	* 11/1995	Lee	D23/377
D371,838 S	7/1996	Davis, Jr. et al.	D23/411
D378,404 S	3/1997	Jaspers-Jayer	D23/377
D389,566 S	* 1/1998	Jaspers-Fayer	D23/377
D402,026 S	12/1998	Chuang et al.	D23/377
D408,518 S	4/1999	Liu	D23/377
D411,295 S	6/1999	Evans	D23/377
D412,571 S	8/1999	Lee	D23/377
D414,856 S	10/1999	Zuege	D23/377
D421,799 S	3/2000	Zuege	D23/411
D422,072 S	3/2000	Blateri	D23/377
D426,879 S	6/2000	Gajewski	D23/411
D440,647 S	* 4/2001	Lee	D23/377

(Continued)

OTHER PUBLICATIONS

Brass Outdoor Lantern, [online] Hinkley Lighting, Hinkley Lighting—Classic Cool, products, families with products in the

Brass Outdoor Lantern category, 4 pages [retrieved on Jun. 29, 2005] Retrieved from: <http://www.hinkleylighting.com/products/catfans.asp?cid=013&fid=018110>.

Cast Outdoor Lantern, [online] Hinkley Lighting, Hinkley Light—Classic Cool, products, families with products in the Cast Outdoor Lantern category, 2 pages [retrieved on Jun. 29, 2005] Retrieved from: <http://www.hinkleylighting.com/products/cargams.asp?cid=011&fid=018110>.

“Bromley”, [online] The Home Depot, 5 matching products, [retrieved on Jun. 29, 2005] 2 pages, Retrieved from: <http://www.homedepot.com/pre180/HDUS/EN/jsearch/searchResults.jsp?CNTTYPE=...>

Primary Examiner—Lisa P Lichtenstein

(74) *Attorney, Agent, or Firm*—Brian S. Steinberger; Law Offices of Brian S. Steinberger, P.A.

(57) **CLAIM**

The ornamental design of ceiling fan housing, as shown and described.

DESCRIPTION

FIG. 1 is a perspective bottom view of a ceiling fan housing.

FIG. 2 is a perspective top view thereof.

FIG. 3 is a side view thereof.

FIG. 4 is a bottom view thereof.

FIG. 5 is a top view thereof.

FIG. 6 is an enlarged bottom perspective view thereof;

FIG. 7 is an enlarged perspective top view of FIG. 6.

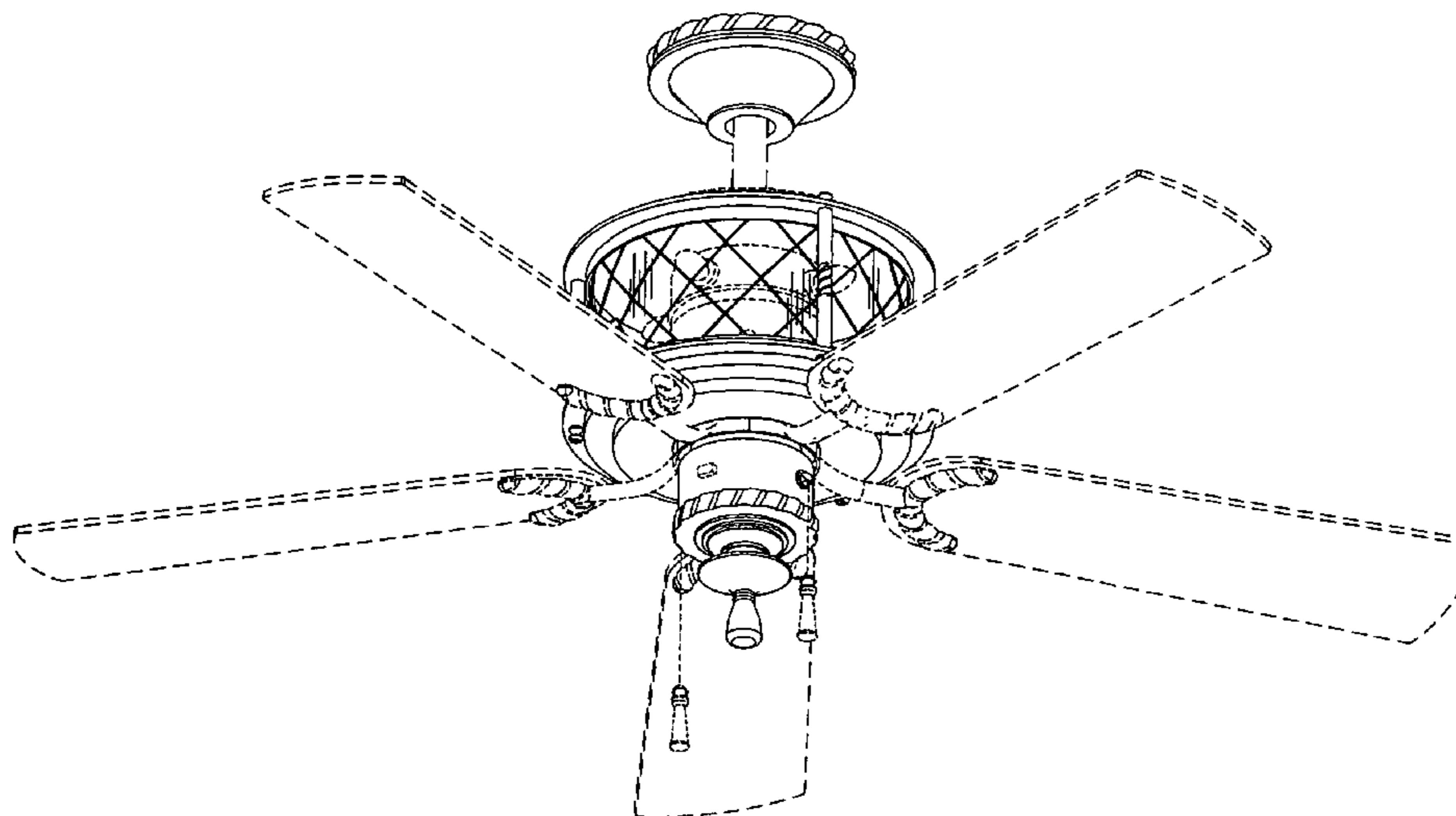
FIG. 8 is an enlarged side view of FIG. 6.

FIG. 9 is an enlarged bottom view of FIG. 6; and,

FIG. 10 is an enlarged top view of FIG. 6.

The broken line showing of the support rod, fan blades, pull chain, end pull pieces, switch, bulbs, upper plates and blade arms is included for the purpose of illustrating environmental structure and forms no part of the claimed design.

1 Claim, 10 Drawing Sheets



US D575,863 S

Page 2

U.S. PATENT DOCUMENTS

D443,352 S	6/2001	Lantz	D23/413	D485,347 S	1/2004	Bucher et al.	D23/377
D451,997 S	12/2001	Schwartz	D23/413	D495,817 S	9/2004	Bucher et al.	D26/67
D454,636 S	3/2002	Lantz	D23/413	D496,119 S	9/2004	Bucher et al.	D26/67
D462,756 S	9/2002	Liu	D23/377	D497,022 S	10/2004	Bucher et al.	D26/67
D469,950 S	2/2003	Scalise et al.	D3/3	D500,160 S	12/2004	Bucher et al.	D26/71
D480,471 S	10/2003	Hsieh	D23/411	D500,161 S	12/2004	Bucher et al.	D26/71
D484,233 S	12/2003	Bucher et al.	D23/377	D500,876 S	1/2005	Bucher et al.	D26/67
D484,587 S	12/2003	Bucher et al.	D23/377	D510,992 S	10/2005	Bucher	D23/377
D485,345 S	1/2004	Bucher	D23/377	D529,164 S *	9/2006	Hidalgo	D23/377
D485,346 S	1/2004	Bucher et al.	D23/377	D530,414 S *	10/2006	Hoshino	D23/377

* cited by examiner

FIG. 1

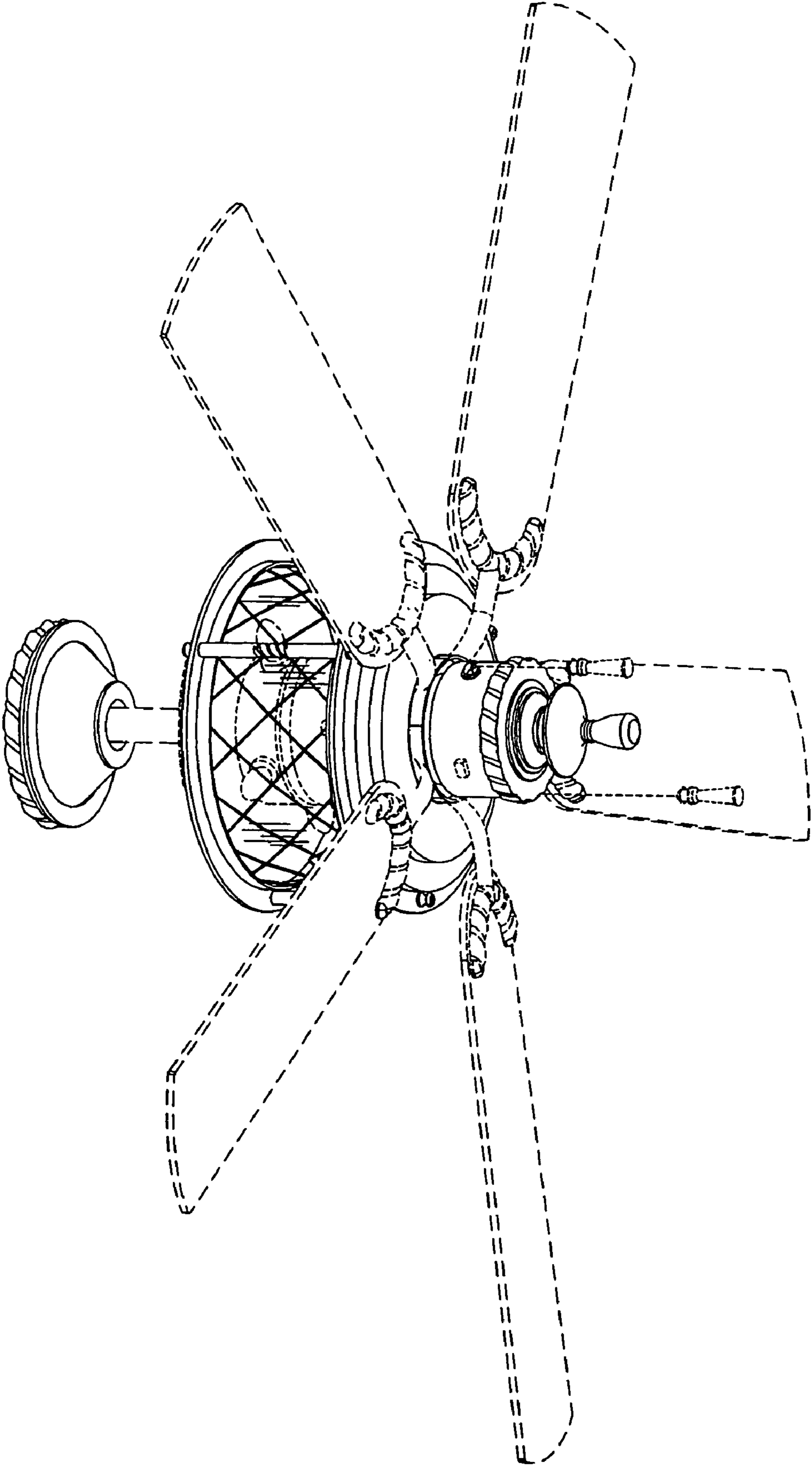


FIG. 2

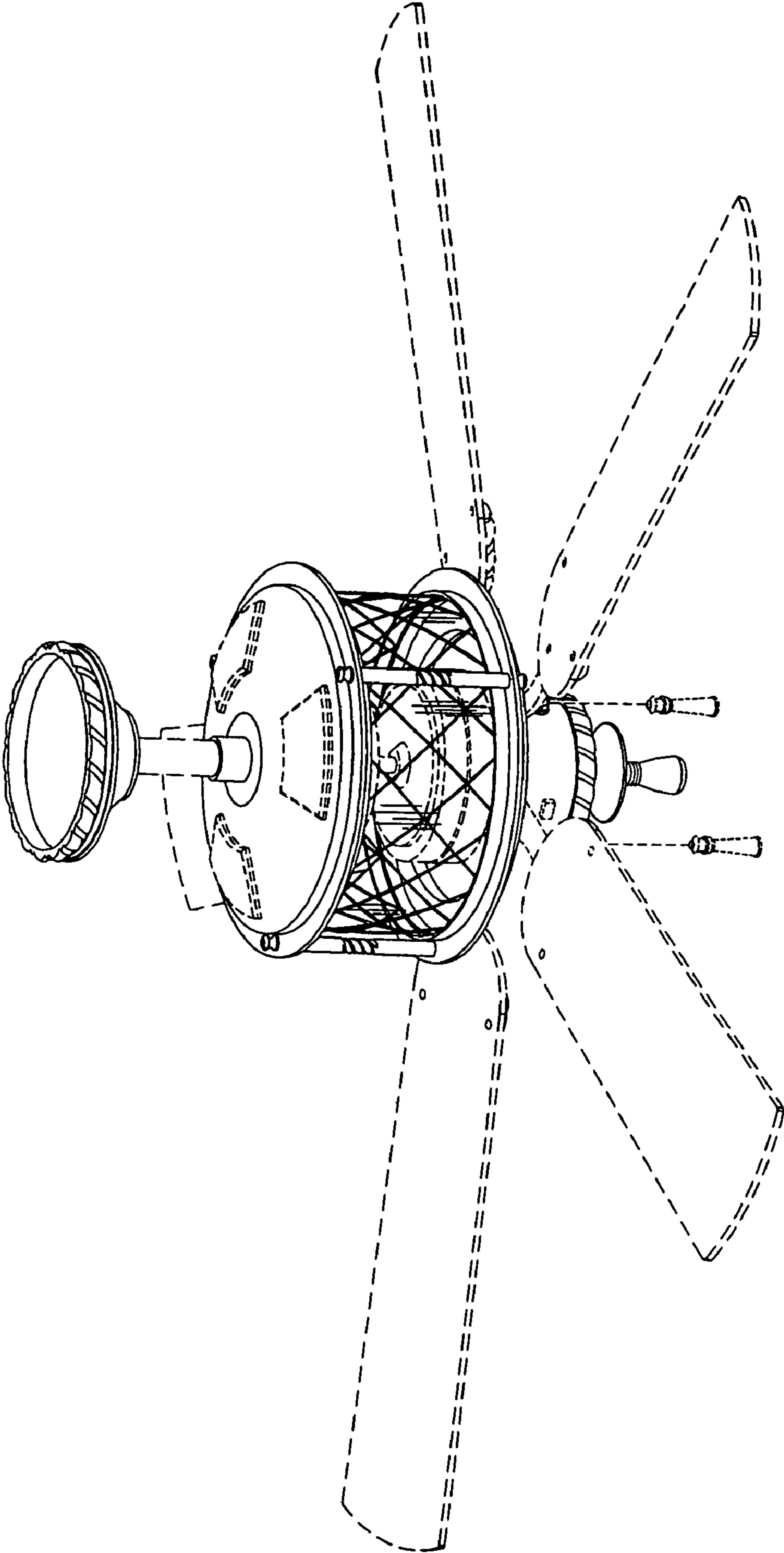


FIG. 3

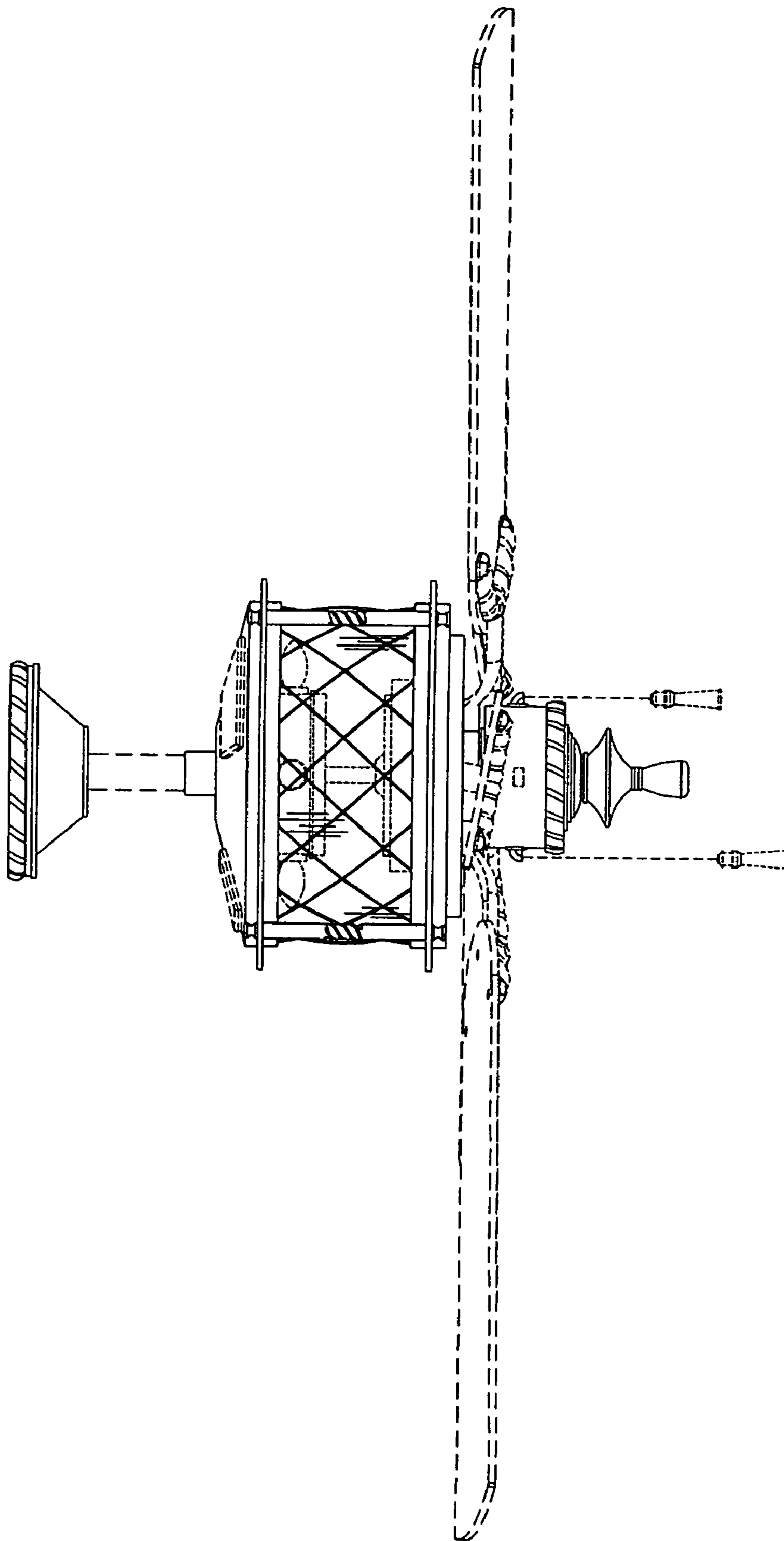


FIG. 4

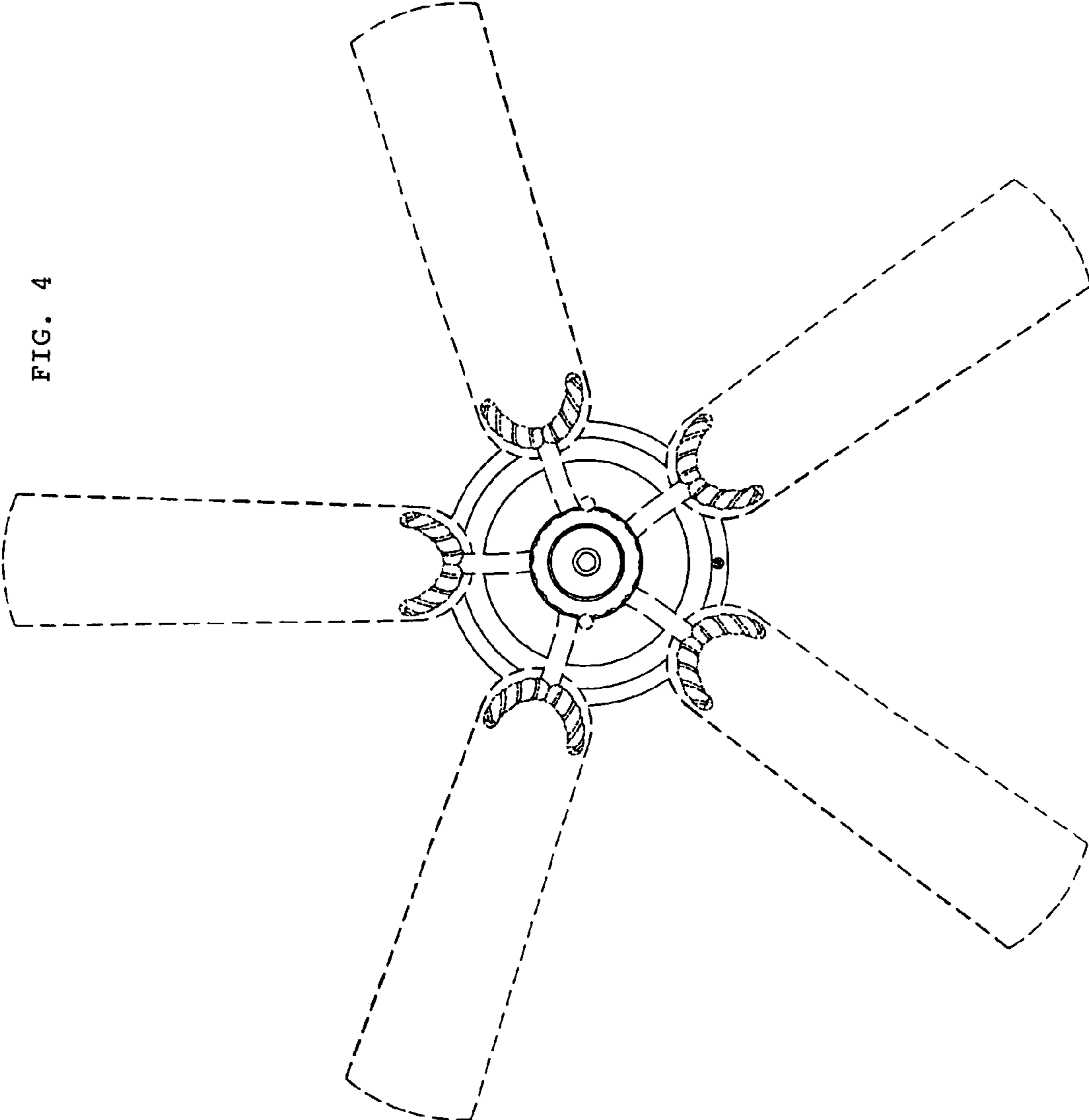


FIG. 5

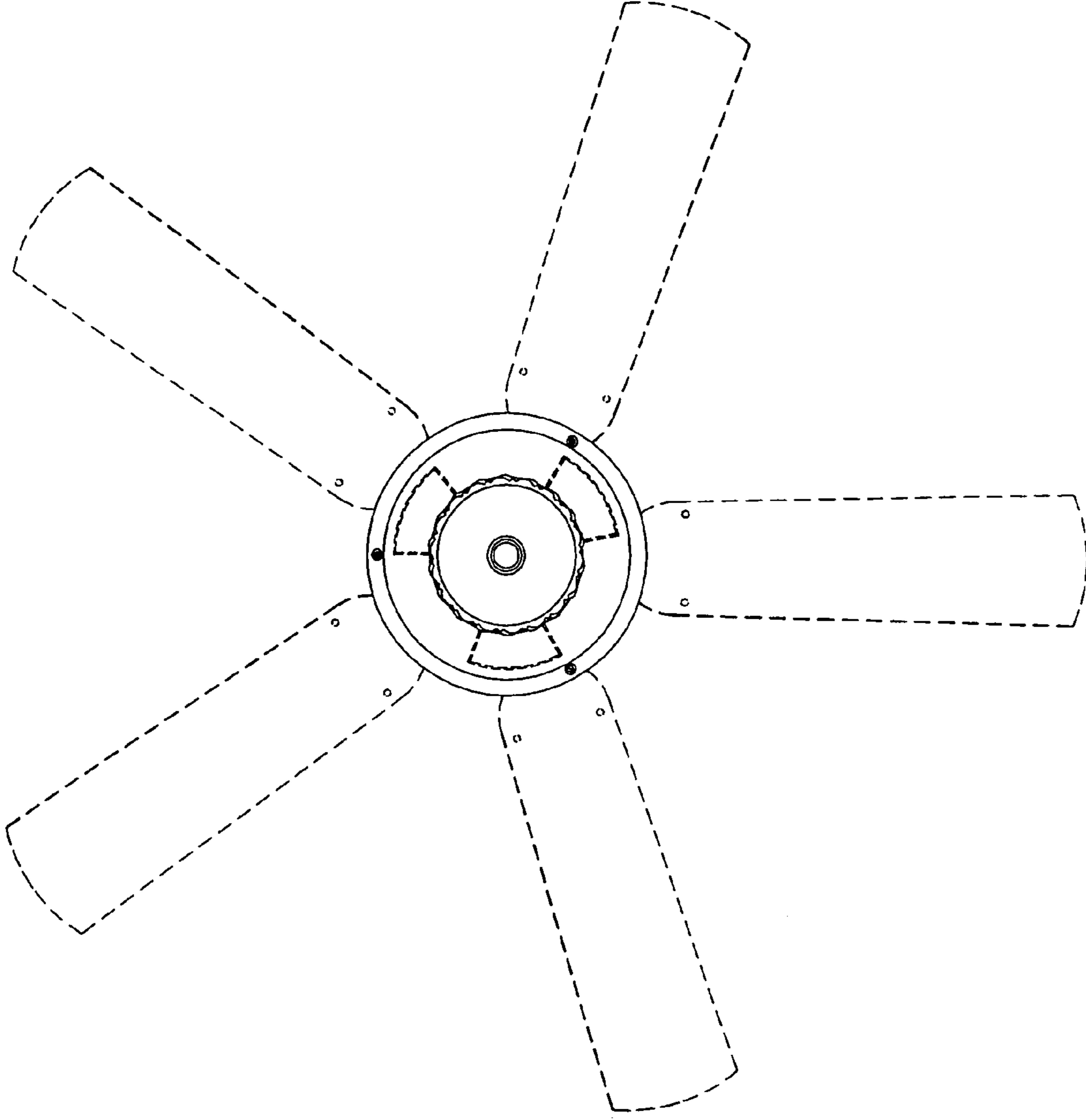


FIG. 6

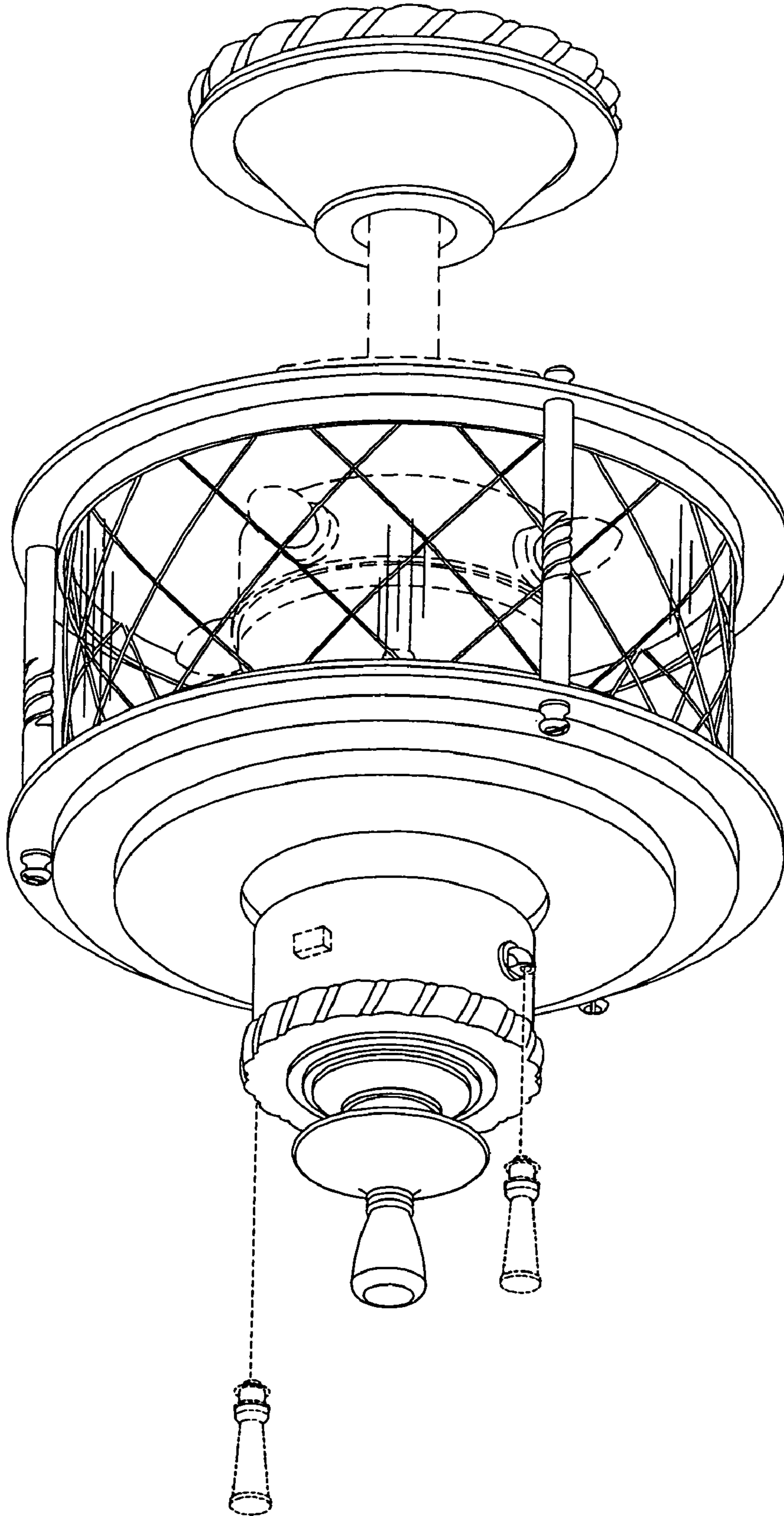


FIG. 7

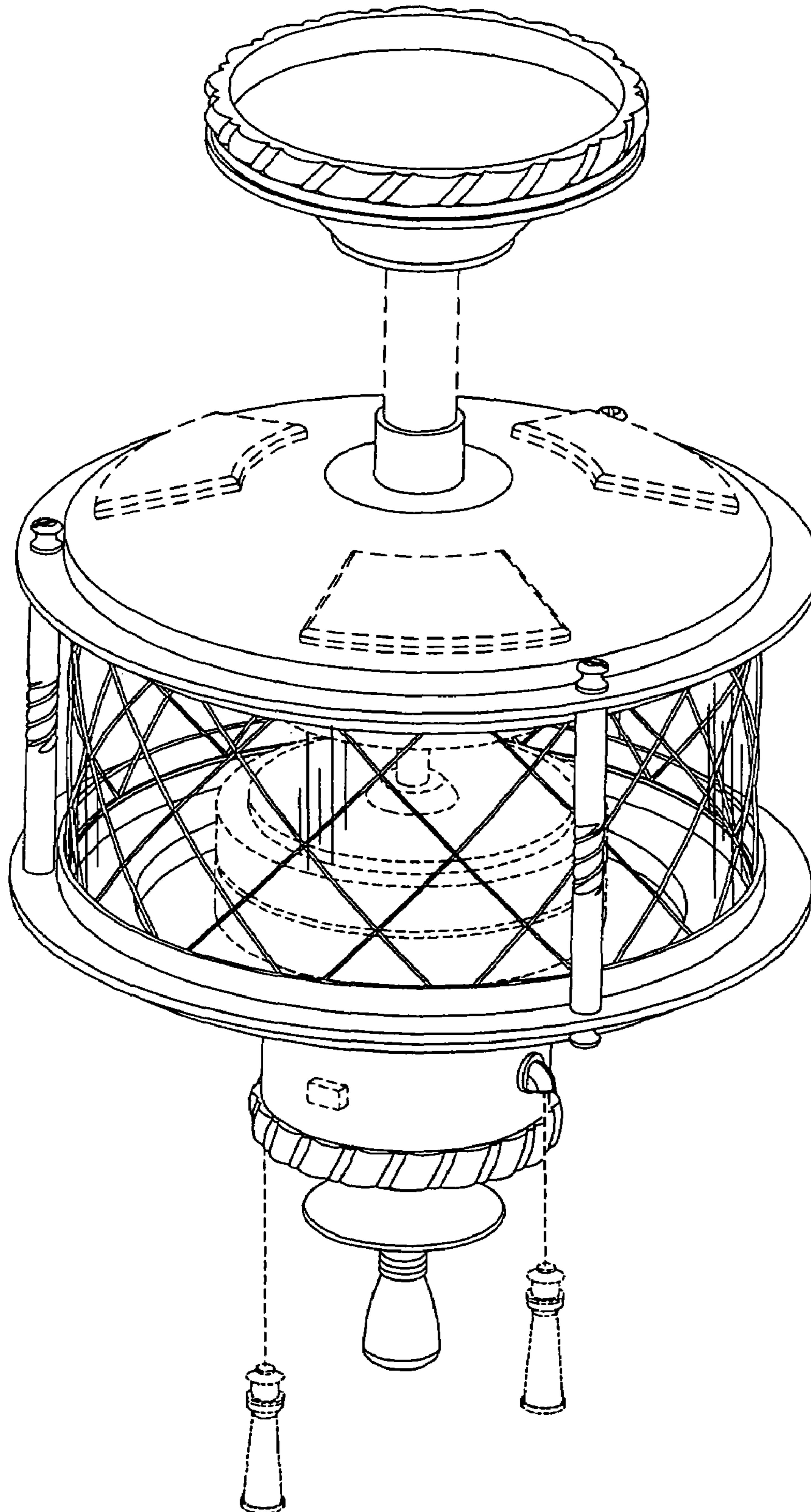


FIG. 8

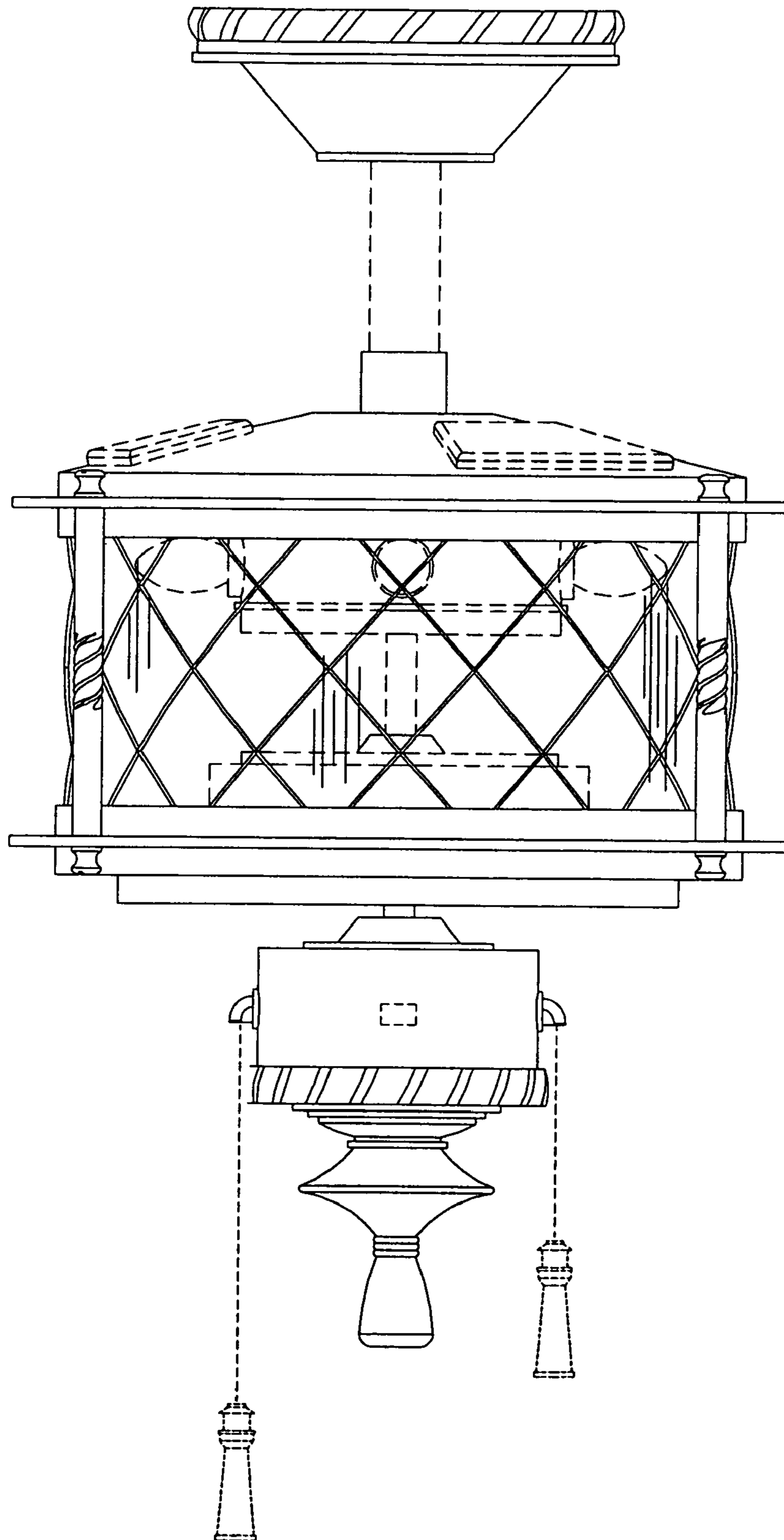


FIG. 9

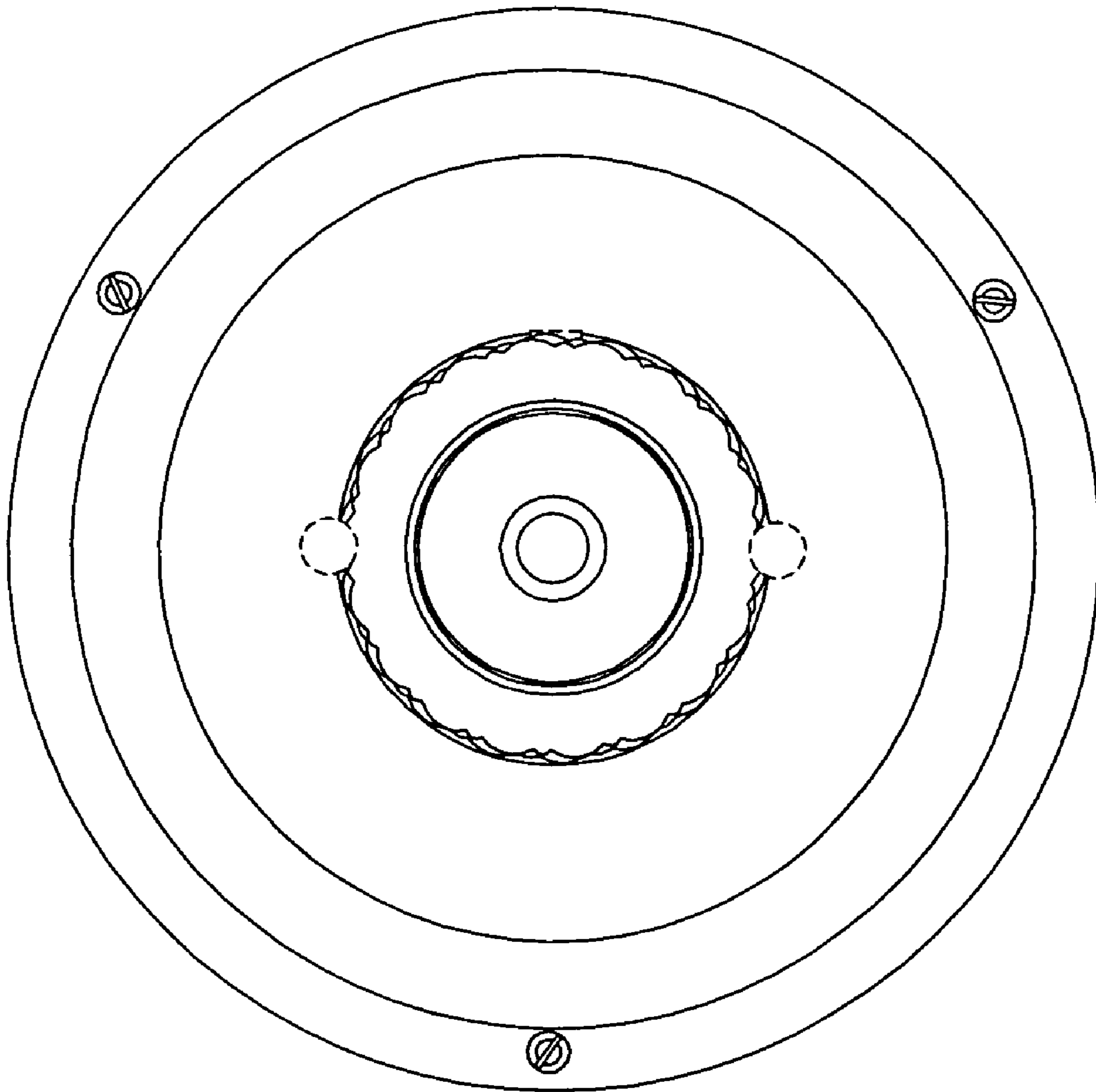


FIG. 10

