



US00D575862S

(12) **United States Design Patent**
McCalla et al.

(10) **Patent No.:** **US D575,862 S**

(45) **Date of Patent:** **** Aug. 26, 2008**

(54) **SKATEBOARD CEILING FAN**

(75) Inventors: **Gavin McCalla**, Coto De Caza, CA (US); **Philip Koon-Hung Fung**, Kowloon (HK)

(73) Assignee: **Ovation Consulting, LLC**, Coto De Caza, CA (US)

(**) Term: **14 Years**

(21) Appl. No.: **29/303,862**

(22) Filed: **Feb. 19, 2008**

(51) **LOC (8) Cl.** **23-04**

(52) **U.S. Cl.** **D23/377**

(58) **Field of Classification Search** D23/377,
D23/379, 385, 411, 413; 416/5
See application file for complete search history.

(56) **References Cited**

U.S. PATENT DOCUMENTS

D322,310 S * 12/1991 Cheng D23/377
D328,638 S * 8/1992 Hsieh D23/377
D328,639 S * 8/1992 Hsieh D23/377

D478,380 S * 8/2003 Clymer D23/377
D512,138 S * 11/2005 Clymer D23/377
D532,096 S * 11/2006 Gomez D23/377
D536,085 S * 1/2007 Clymer D23/377

* cited by examiner

Primary Examiner—Lisa P Lichtenstein

(74) *Attorney, Agent, or Firm*—Merchant & Gould P.C.

(57) **CLAIM**

The ornamental design for a skateboard ceiling fan, as shown and described.

DESCRIPTION

FIG. 1 is a perspective view of a skateboard ceiling fan in accordance with an embodiment;

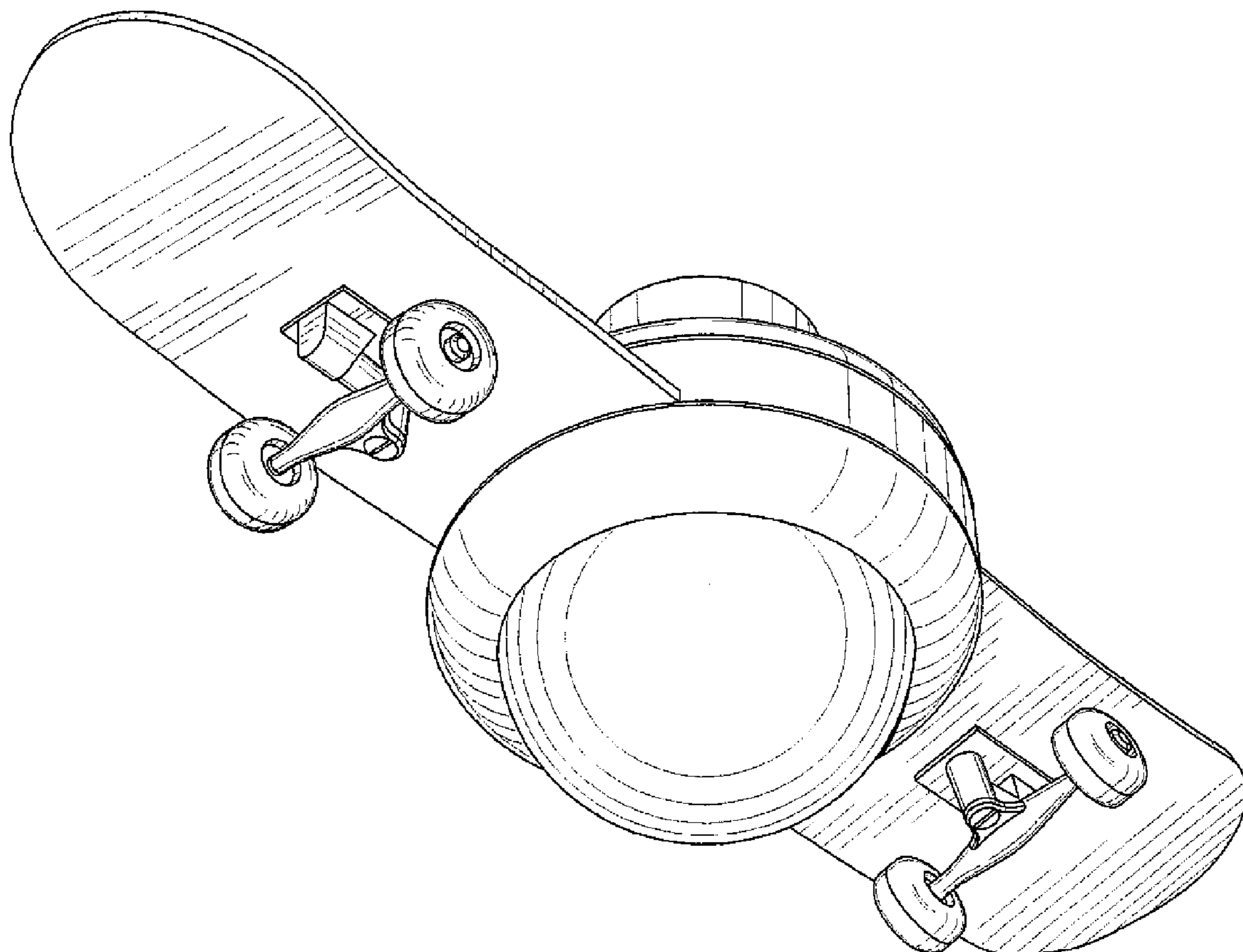
FIG. 2 is an end elevational view; the end opposite the end shown being a mirror image;

FIG. 3 is a side elevational view; the side opposite the side shown being a mirror image;

FIG. 4 is a top view thereof; and,

FIG. 5 is a bottom view thereof.

1 Claim, 3 Drawing Sheets



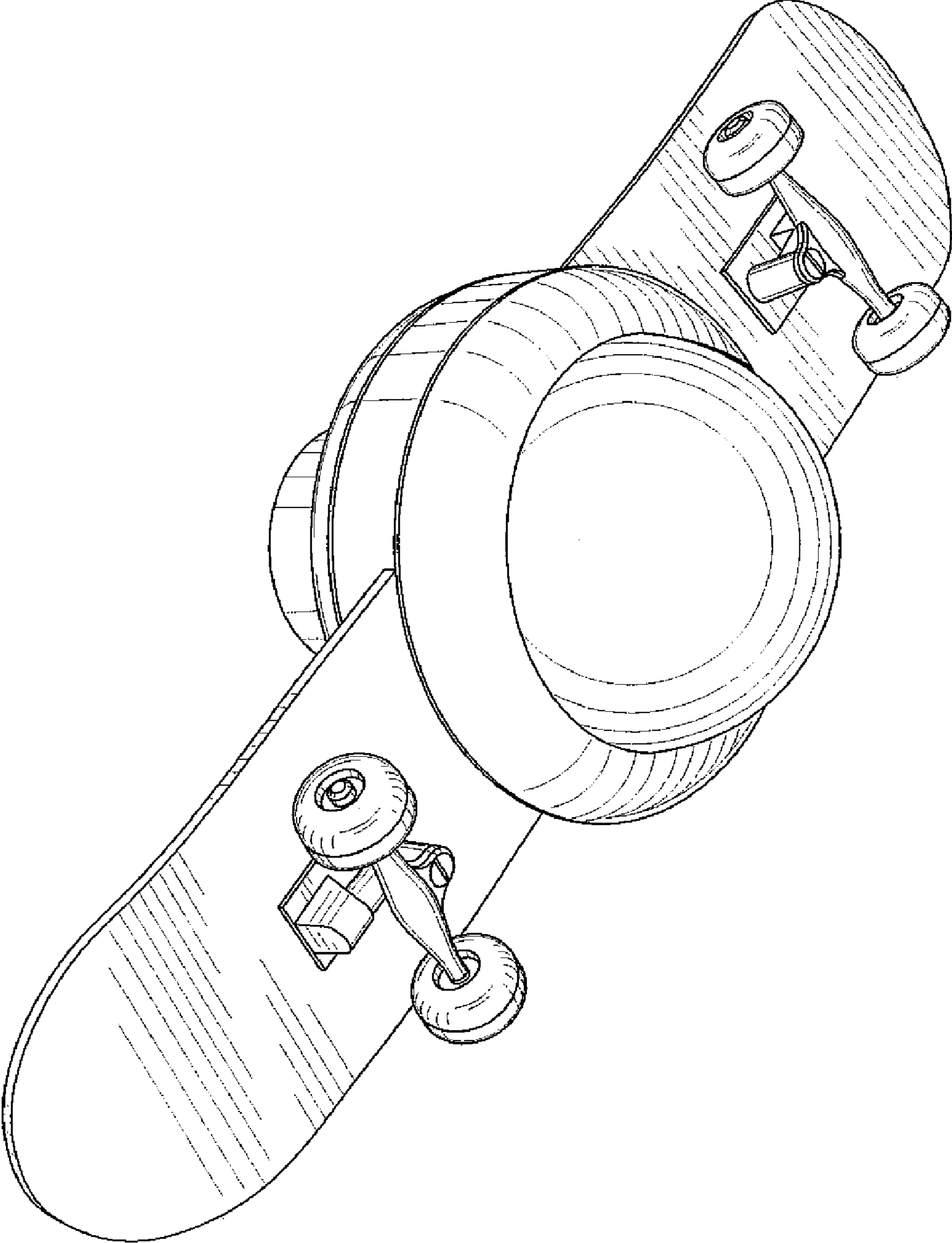


FIG. 1

FIG. 2

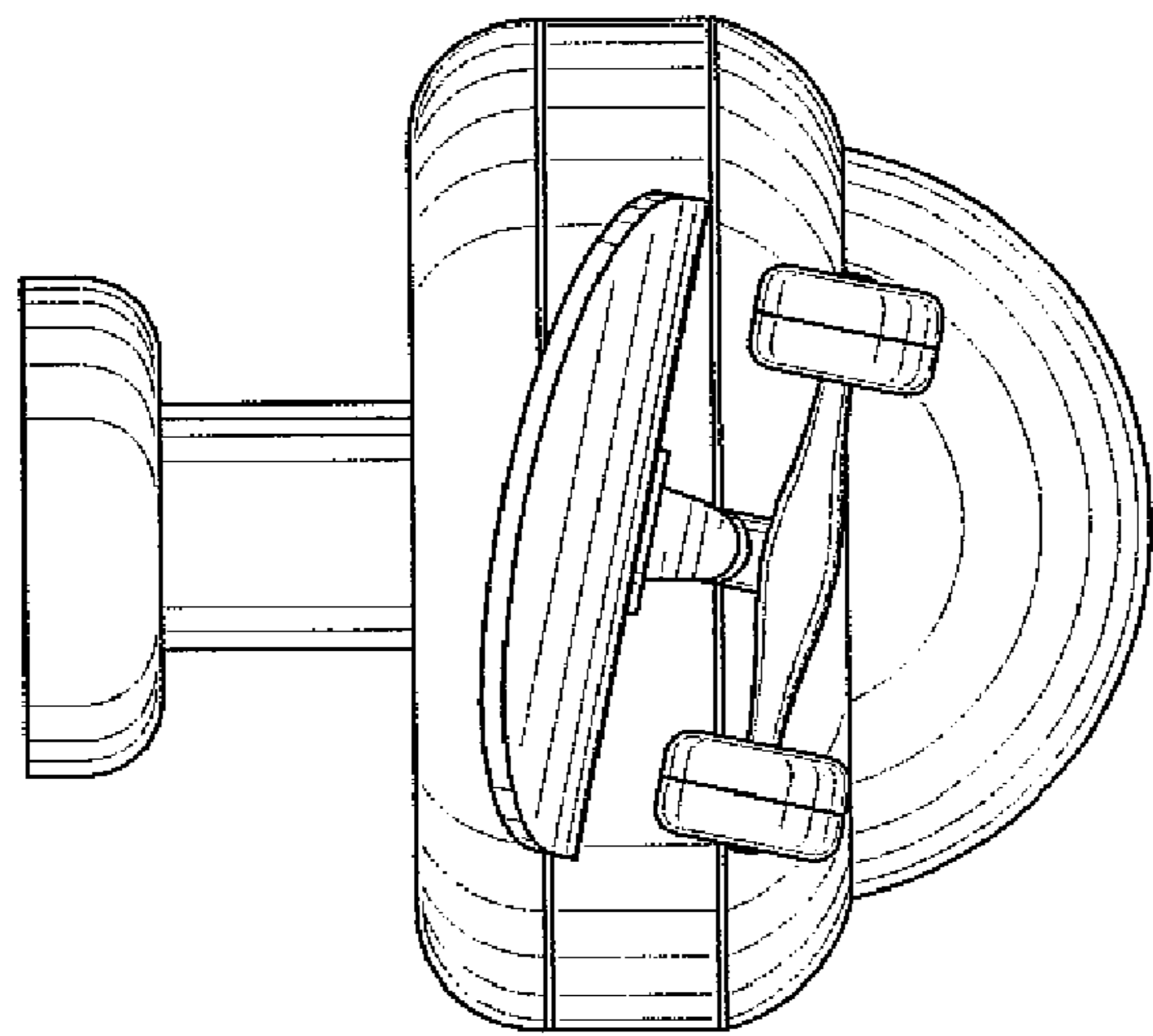
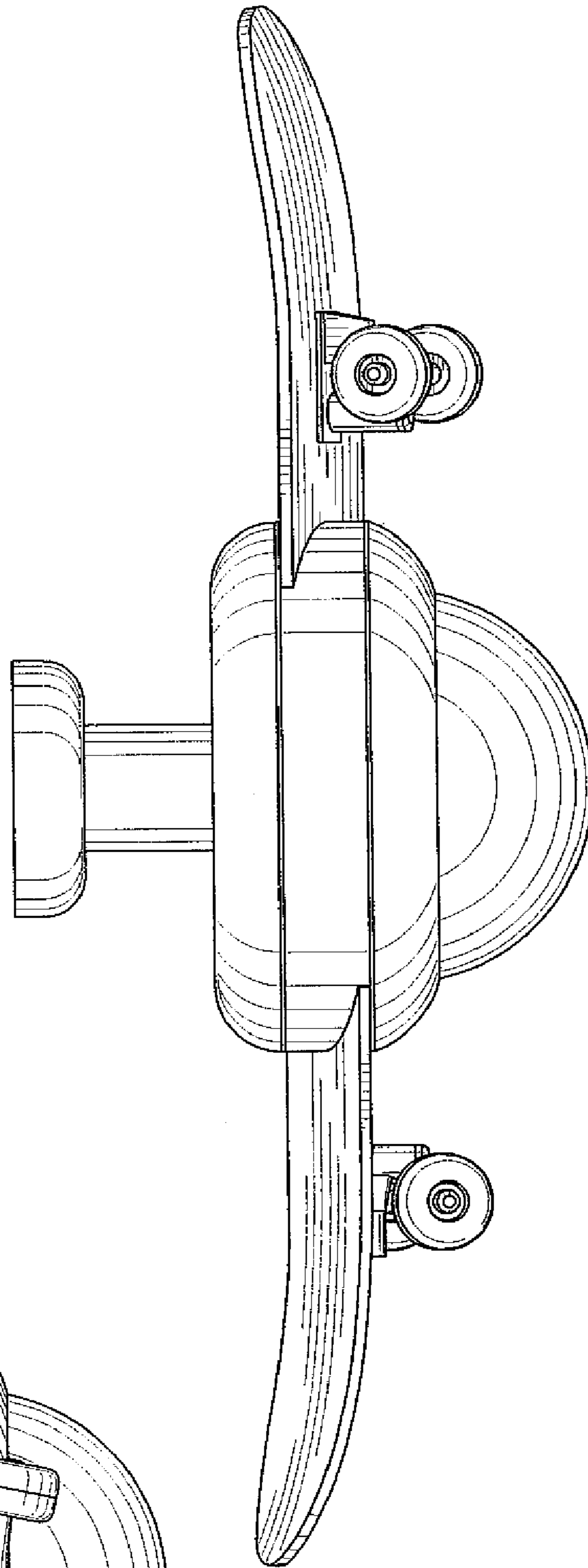


FIG. 3



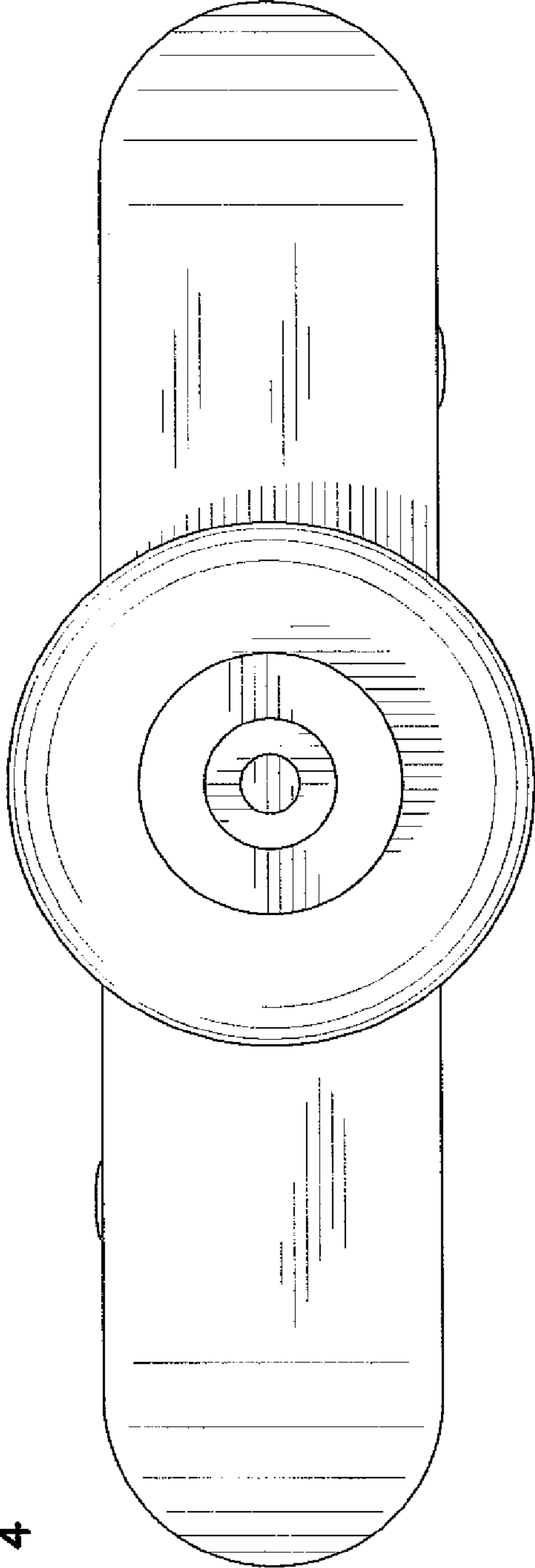


FIG. 4

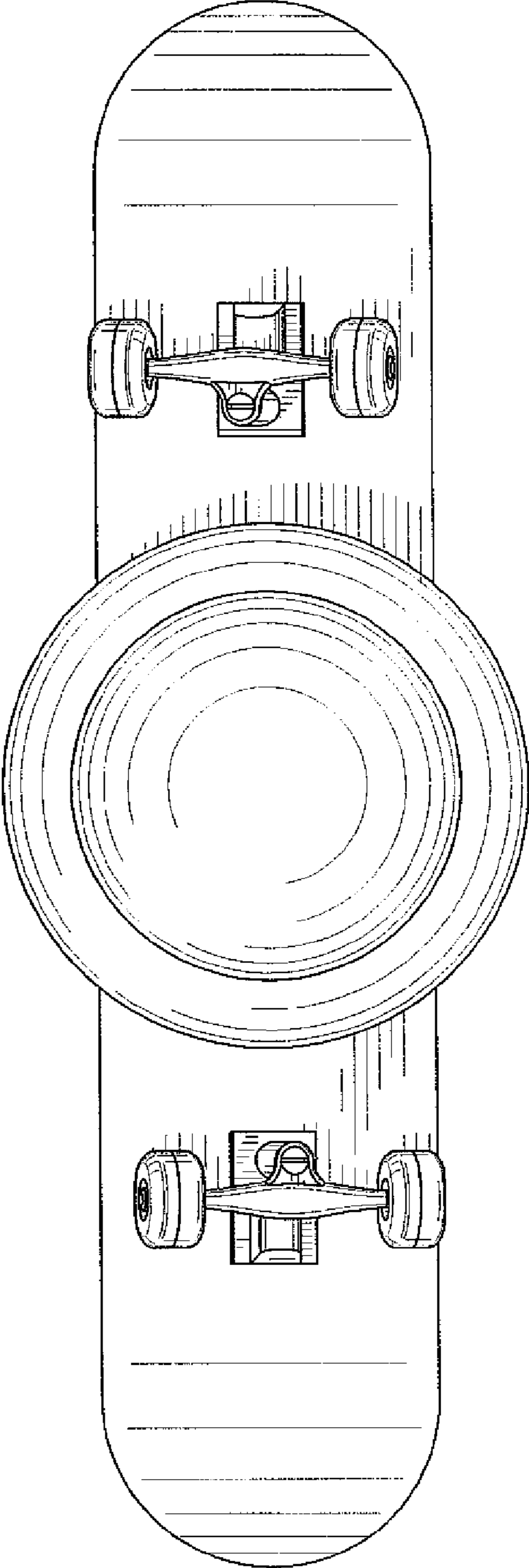


FIG. 5