



US00D575860S

(12) **United States Design Patent**  
**Wu**

(10) **Patent No.:** **US D575,860 S**

(45) **Date of Patent:** **\*\* Aug. 26, 2008**

(54) **AIR FRESHENER DEVICE**

(75) Inventor: **Henry Wu**, Hsin-Tien (TW)

(73) Assignee: **Aromate Industries Co., Ltd.**, Taipei (TW)

(\*\*) Term: **14 Years**

(21) Appl. No.: **29/292,025**

(22) Filed: **Sep. 25, 2007**

(51) **LOC (8) Cl.** ..... **28-99**

(52) **U.S. Cl.** ..... **D23/366**

(58) **Field of Classification Search** ..... D23/355-369;  
261/DIG. 17, DIG. 42, DIG. 65, DIG. 88,  
261/DIG. 89; D28/5, 6; 392/386, 390-394,  
392/401, 404, 406; 239/34, 35, 41-44, 53-60,  
239/136, 326

See application file for complete search history.

(56) **References Cited**

**U.S. PATENT DOCUMENTS**

D278,370 S \* 4/1985 Speitel ..... D28/91.1  
D436,536 S \* 1/2001 Levi ..... D9/447

D460,170 S \* 7/2002 Hart et al. .... D23/366  
D485,342 S \* 1/2004 Collazo ..... D23/366  
D534,262 S \* 12/2006 Rho ..... D23/355  
D565,715 S \* 4/2008 Wu ..... D23/366

\* cited by examiner

*Primary Examiner*—Sandra Snapp

(74) *Attorney, Agent, or Firm*—Ira S. Dorman

(57) **CLAIM**

The ornamental design for an air freshener device, as shown.

**DESCRIPTION**

FIG. 1 is perspective view of an air freshener device embodying the present invention;

FIG. 2 is a rear view of the air freshener device;

FIG. 3 is a bottom view of the air freshener device;

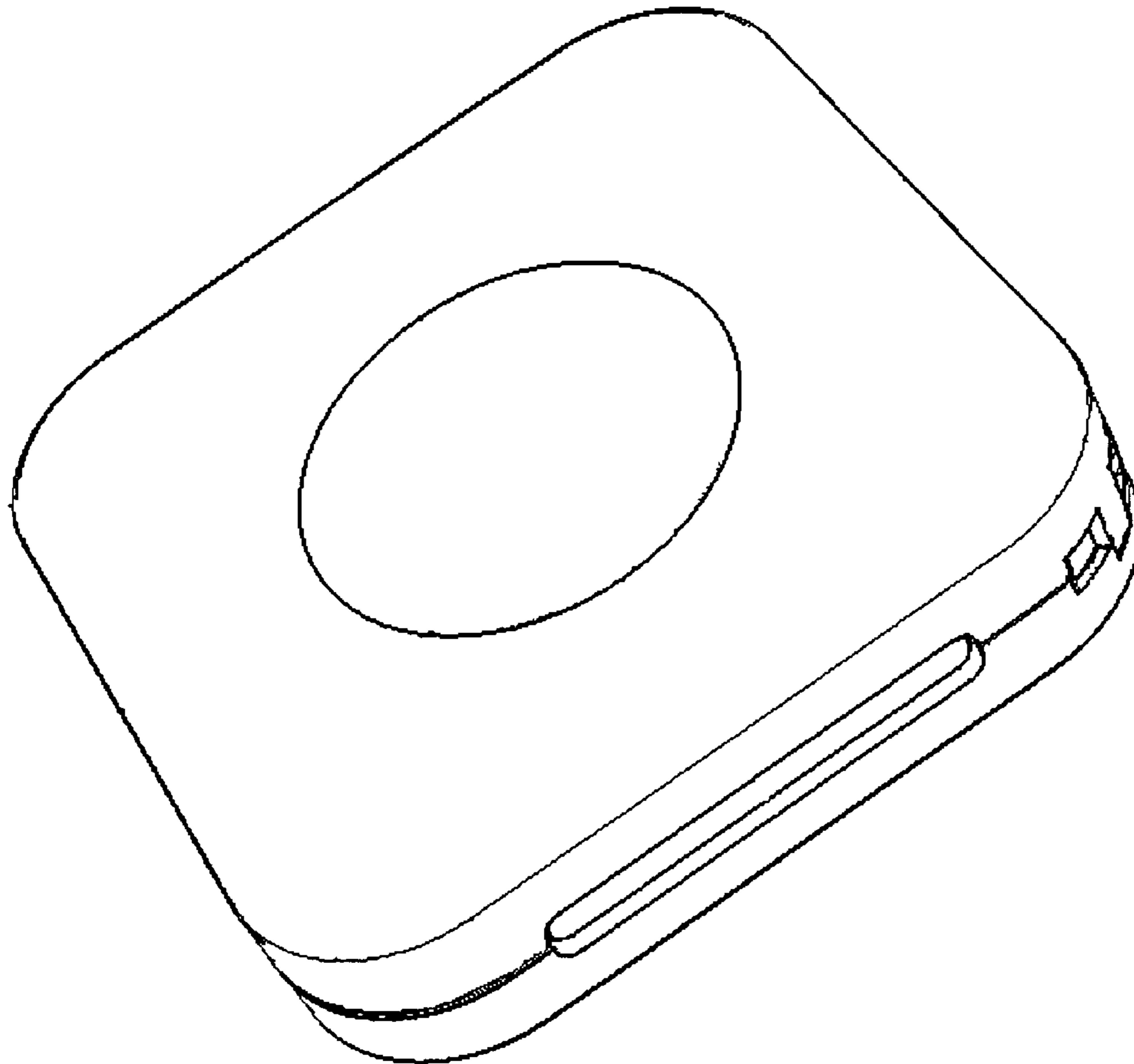
FIG. 4 is a front view of the air freshener device;

FIG. 5 is a left side view of the air freshener device;

FIG. 6 is a right side view of the air freshener device; and,

FIG. 7 is a top view of the air freshener device.

**1 Claim, 7 Drawing Sheets**



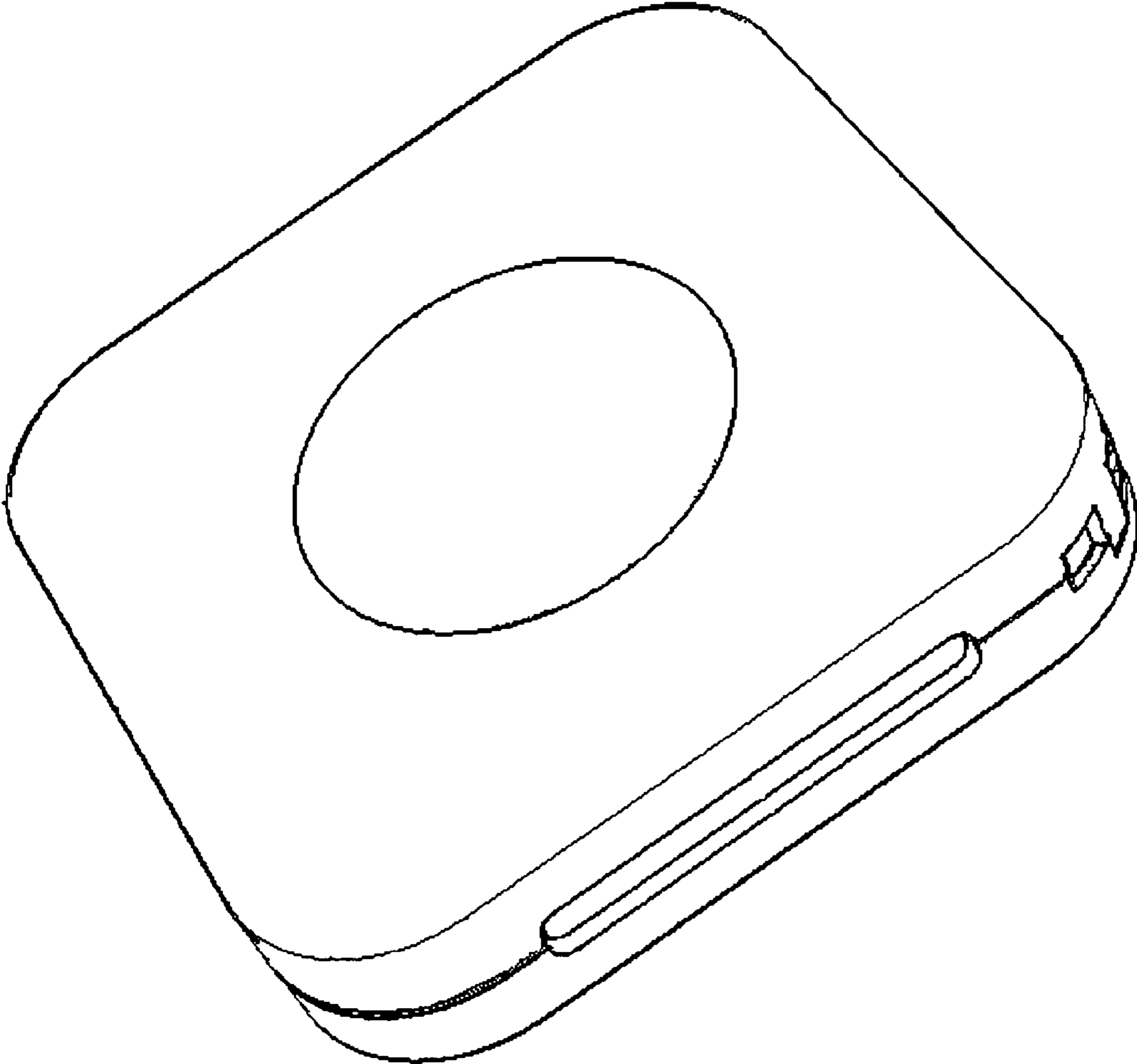


FIG. 1

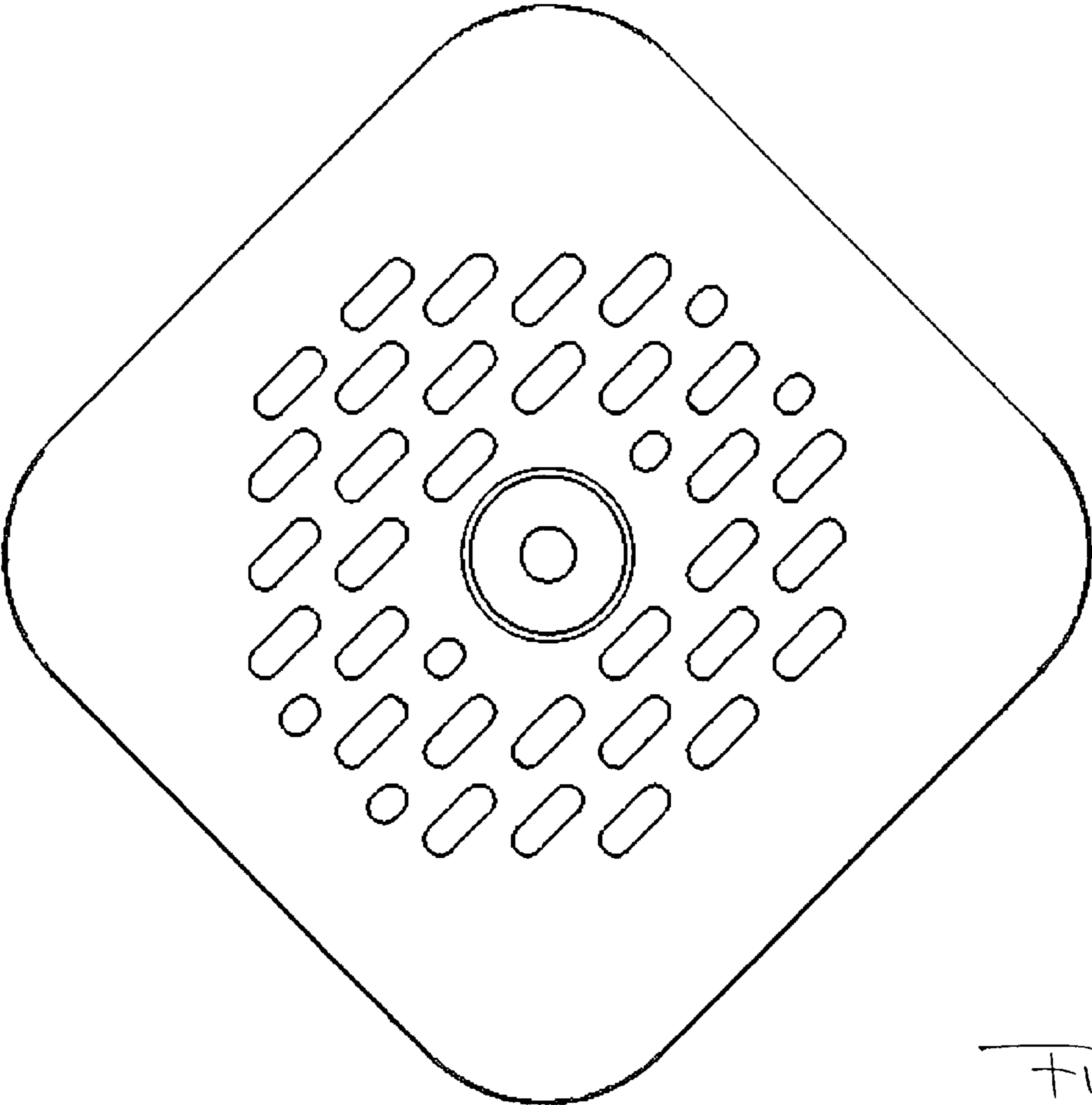


FIG. 2

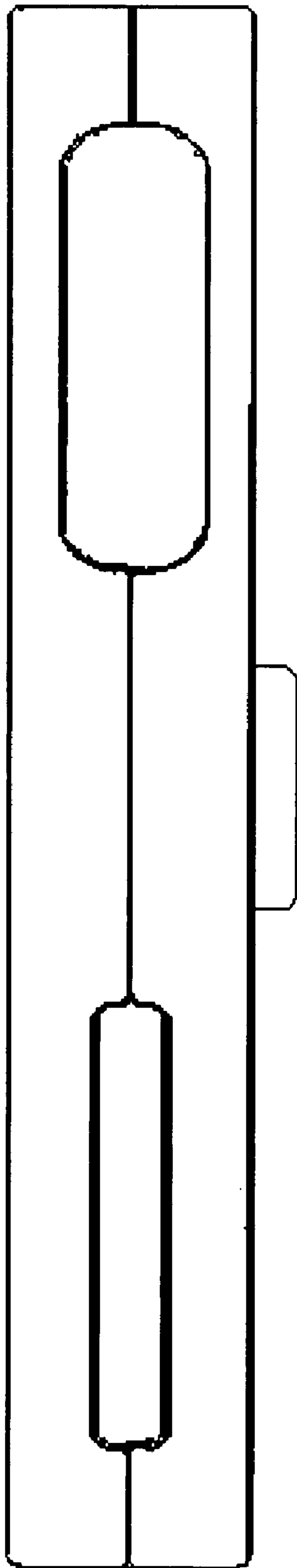


FIG. 3

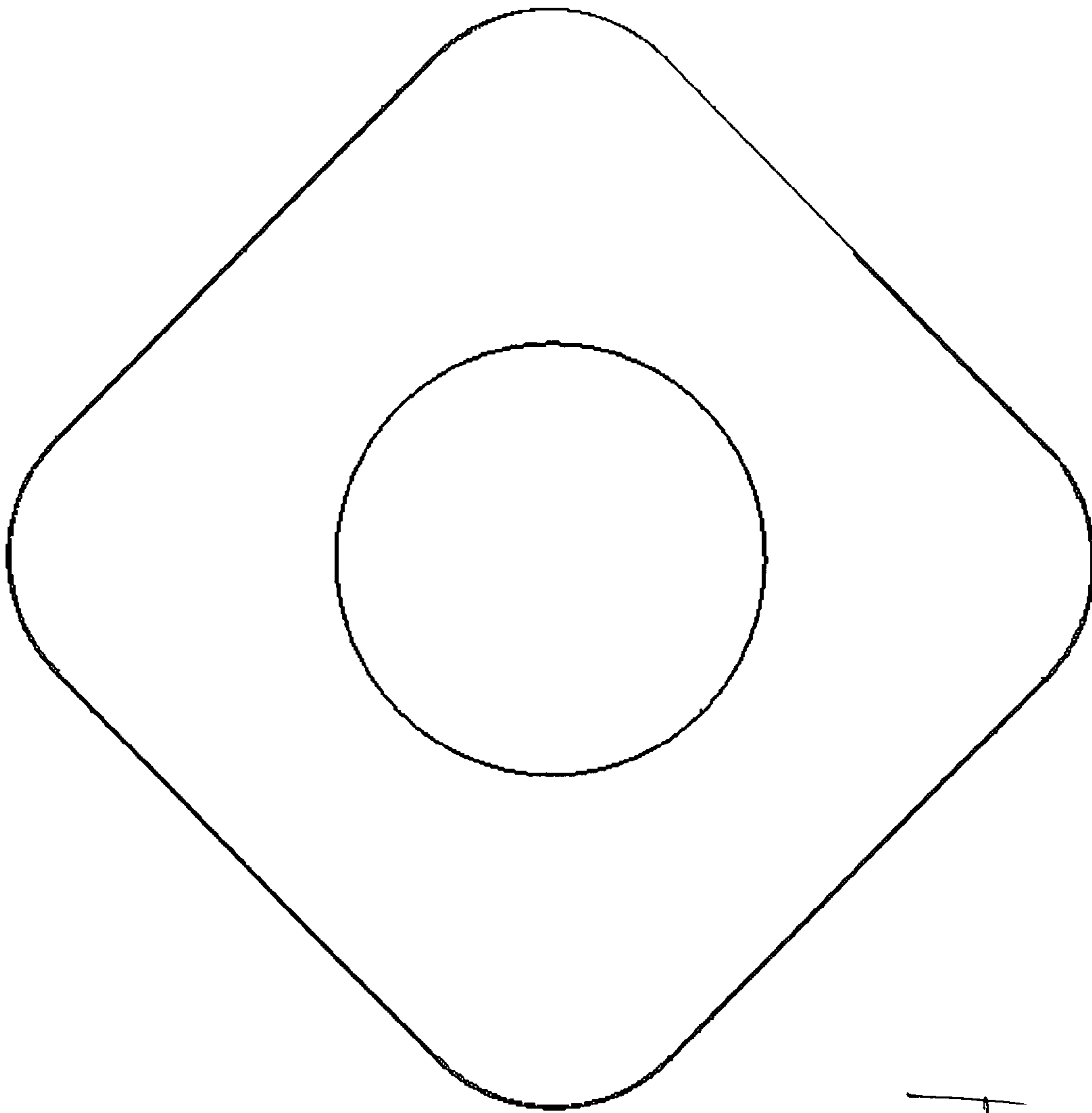


FIG. 4

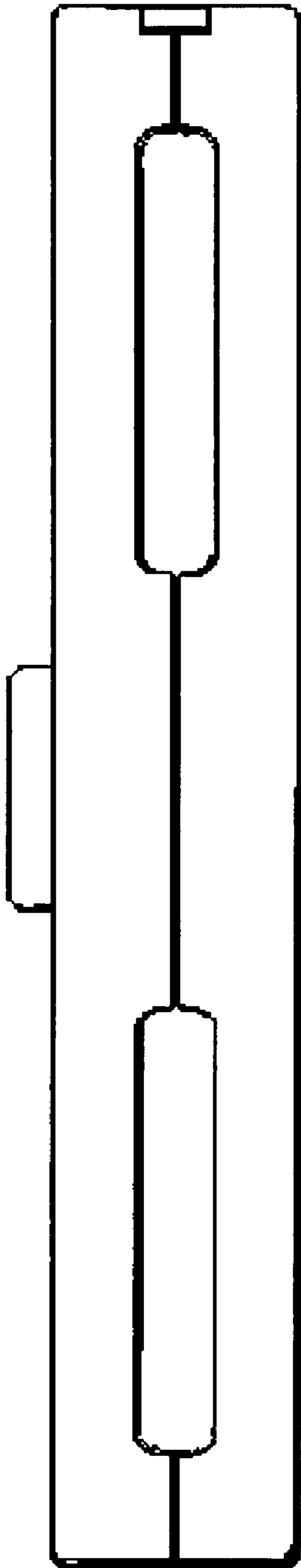


FIG. 5

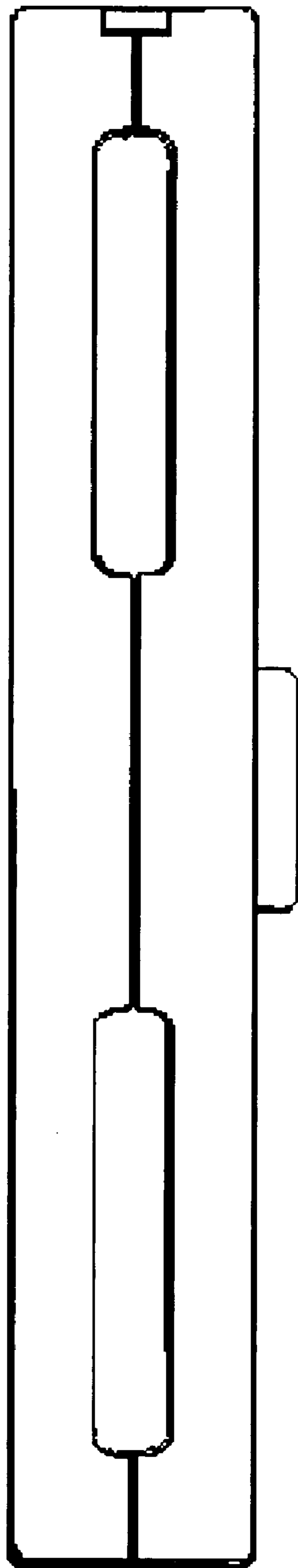


FIG. 6

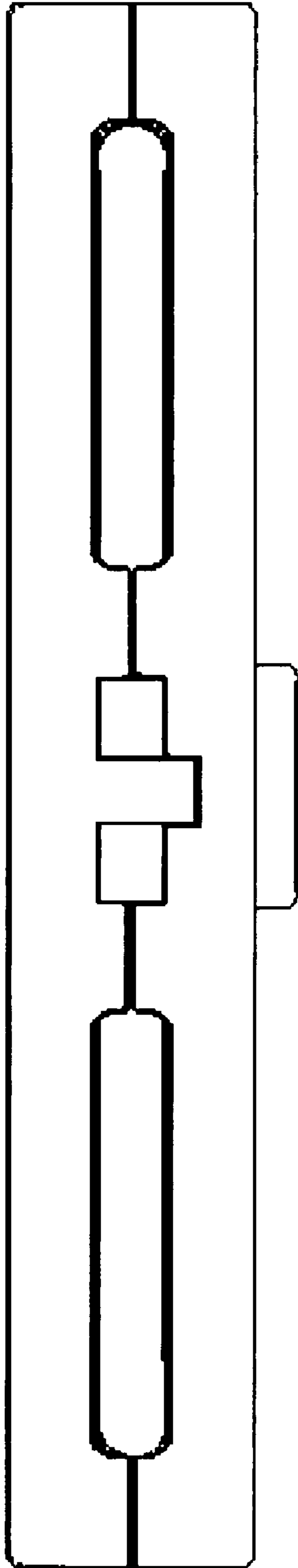


FIG. 7