



US00D575856S

(12) **United States Design Patent**
Ziemann et al.

(10) **Patent No.:** **US D575,856 S**

(45) **Date of Patent:** **** Aug. 26, 2008**

(54) **SINK**

D560,771 S * 1/2008 Kitzmiller et al. D23/284
D560,784 S * 1/2008 Marshall et al. D23/293.1

(75) Inventors: **Brigitte Ziemann**, Eppingen (DE);
Reinhard Koska, Karlsruhe (DE)

* cited by examiner

(73) Assignee: **Blanco GmbH + Co KG**,
Oberderdingen (DE)

Primary Examiner—Robert A Delehanty
(74) *Attorney, Agent, or Firm*—Hanley, Flight &
Zimmerman, LLC.

(**) Term: **14 Years**

(57) **CLAIM**

(21) Appl. No.: **29/283,647**

The ornamental design for a “sink”, as shown and described.

(22) Filed: **Aug. 20, 2007**

DESCRIPTION

(51) **LOC (8) Cl.** **23-02**

(52) **U.S. Cl.** **D23/284**

(58) **Field of Classification Search** D23/284,
D23/287, 293.1, 308; 4/619, 631, 637
See application file for complete search history.

FIG. 1 is a perspective view of the sink;

FIG. 2 is a top plan view of the sink;

FIG. 3 is a bottom view of the sink;

FIG. 4 is a front view of the sink;

FIG. 5 is a rear view of the sink;

FIG. 6 is a right side view of the sink; and,

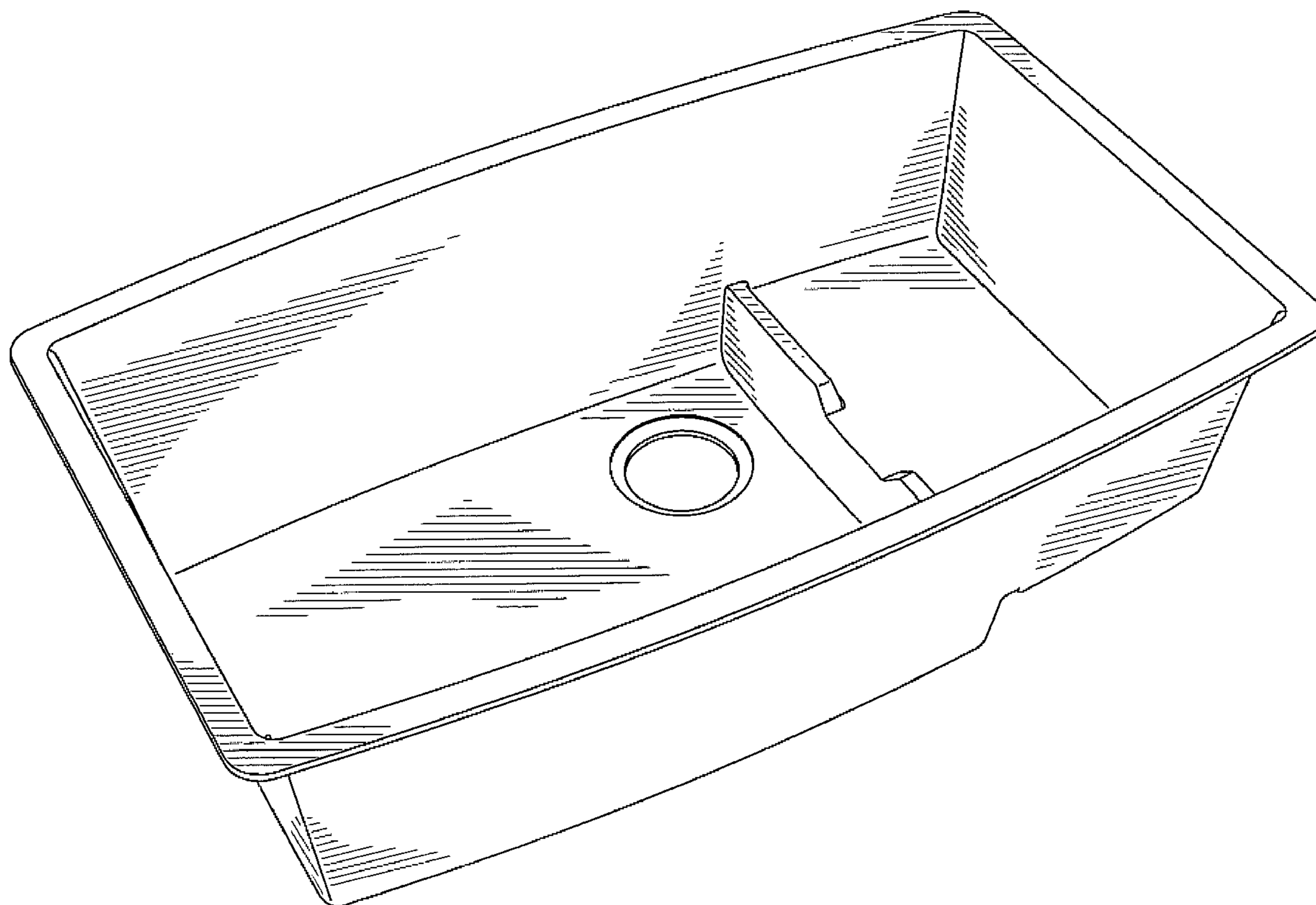
FIG. 7 is a left side view of the sink.

(56) **References Cited**

U.S. PATENT DOCUMENTS

D260,924 S * 9/1981 Hurray D23/284
D506,245 S * 6/2005 Painter D23/287

1 Claim, 7 Drawing Sheets



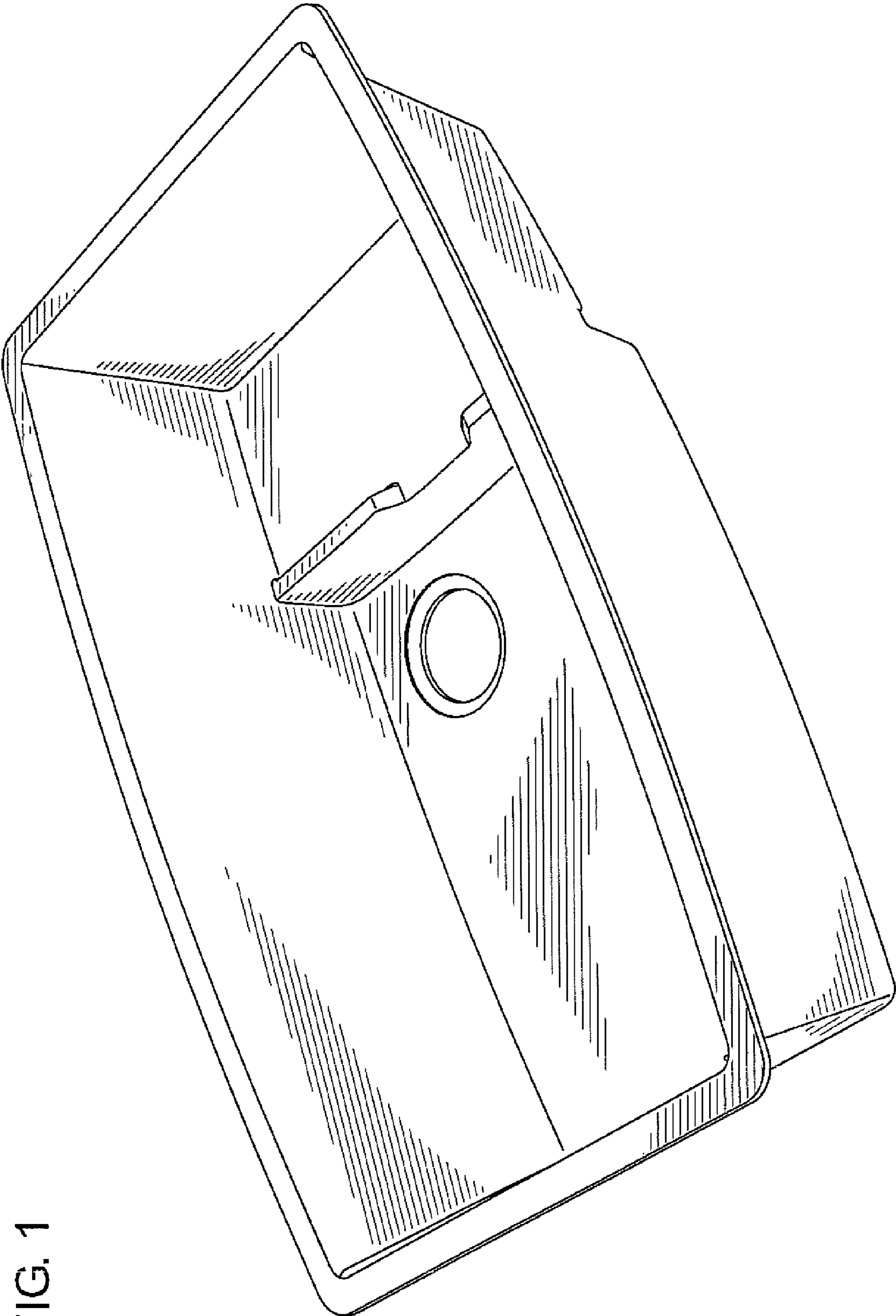
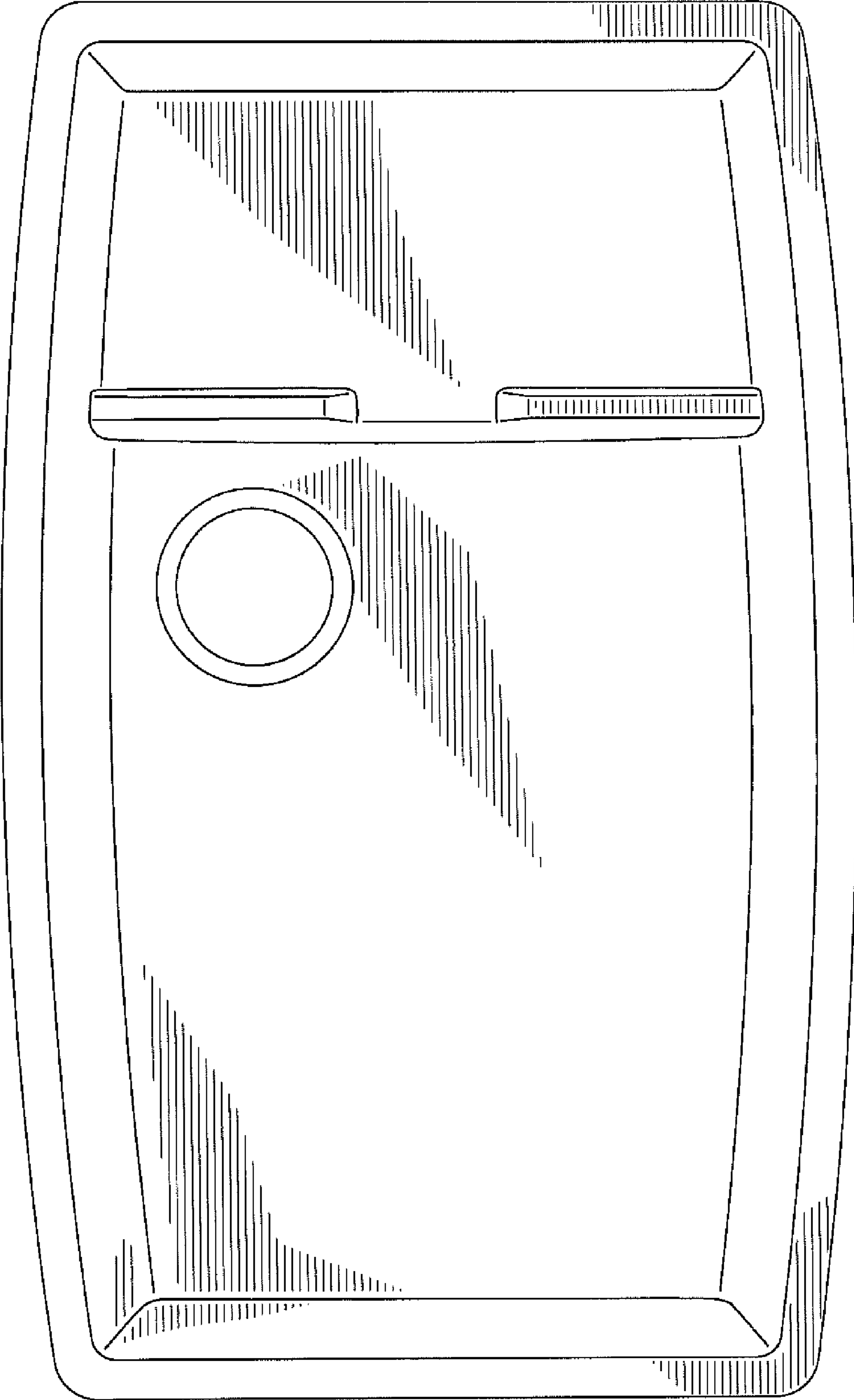


FIG. 1

FIG. 2



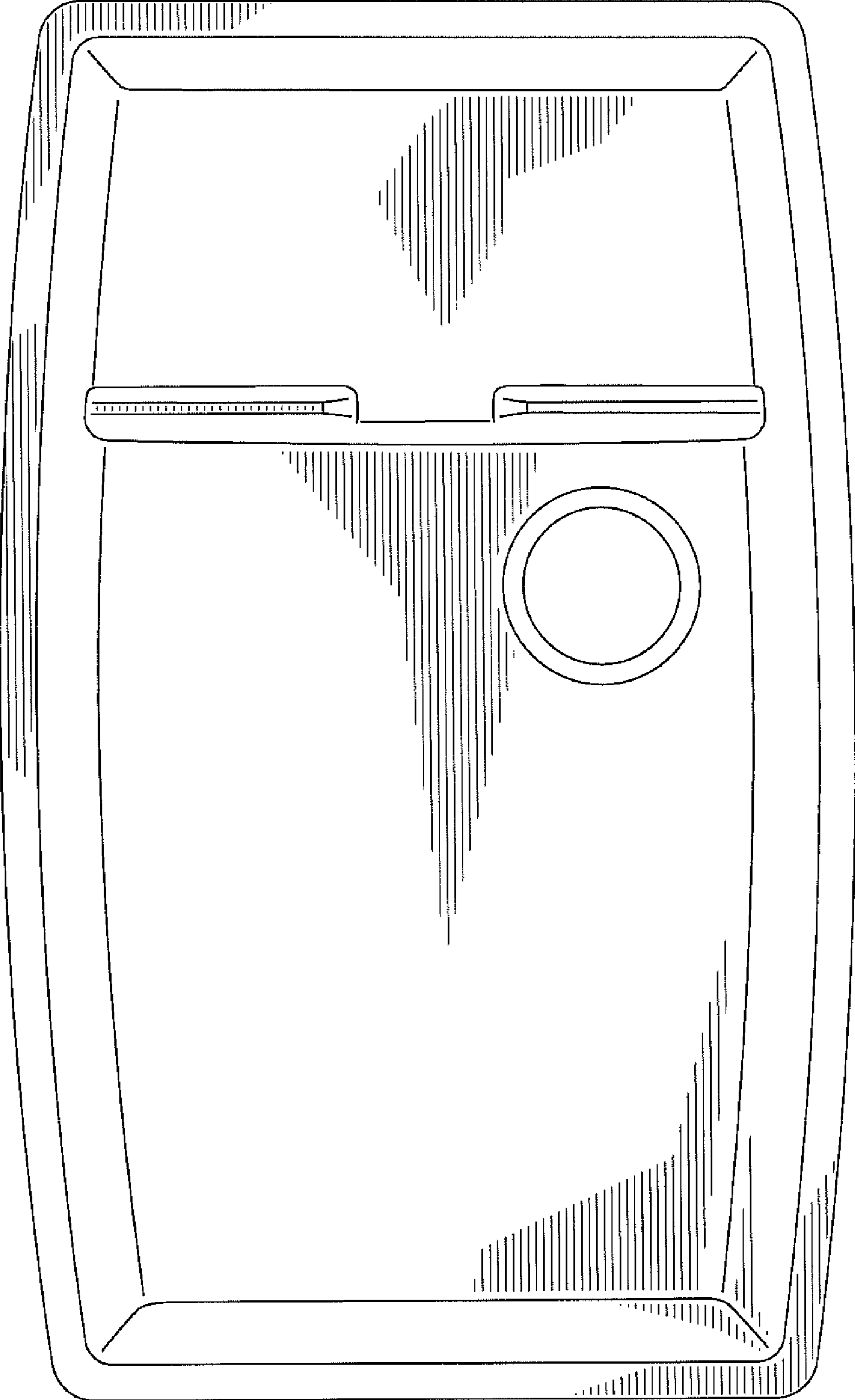


FIG. 3

FIG. 4

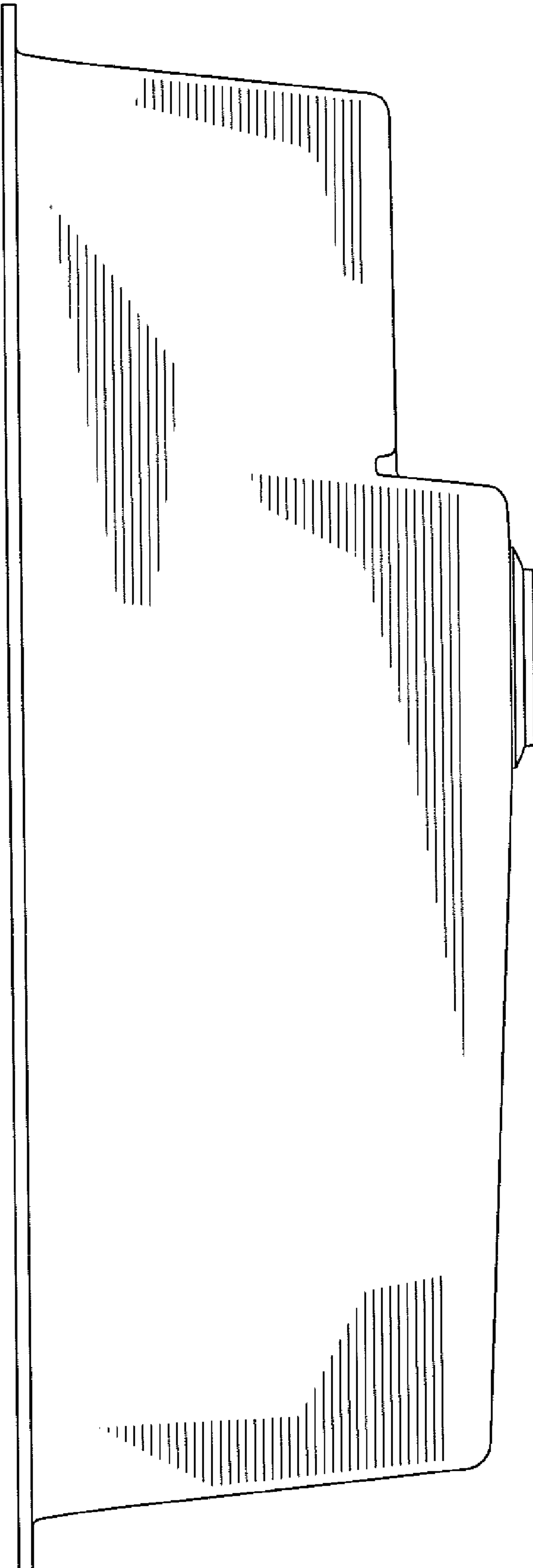
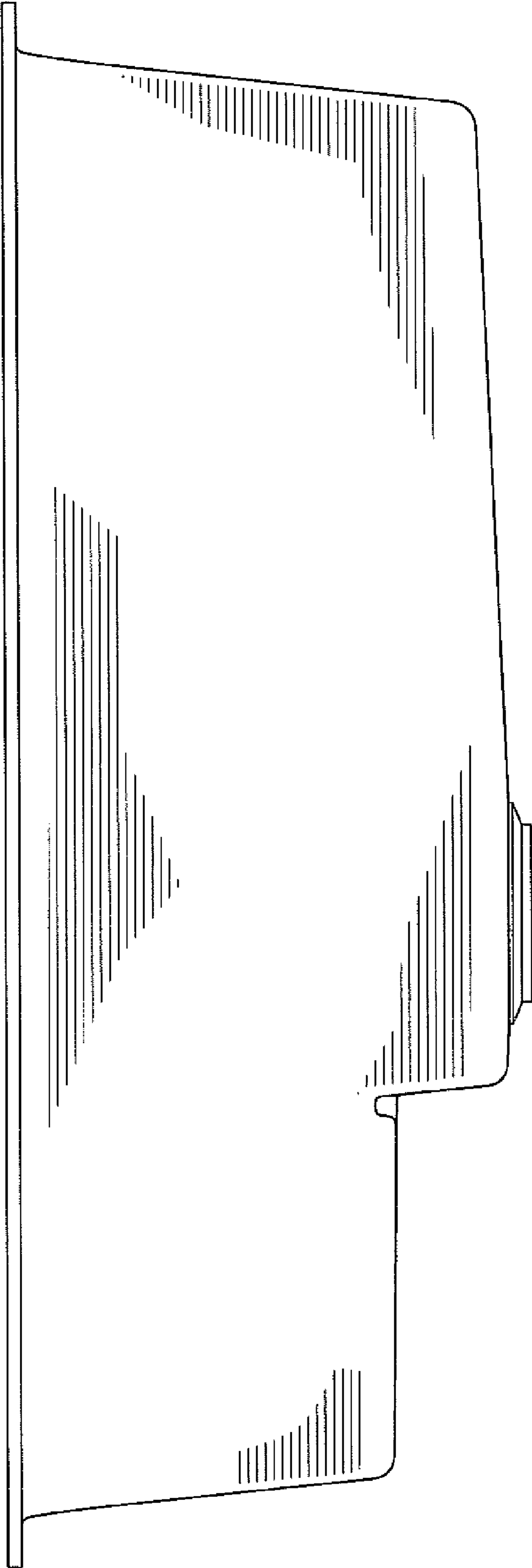


FIG. 5



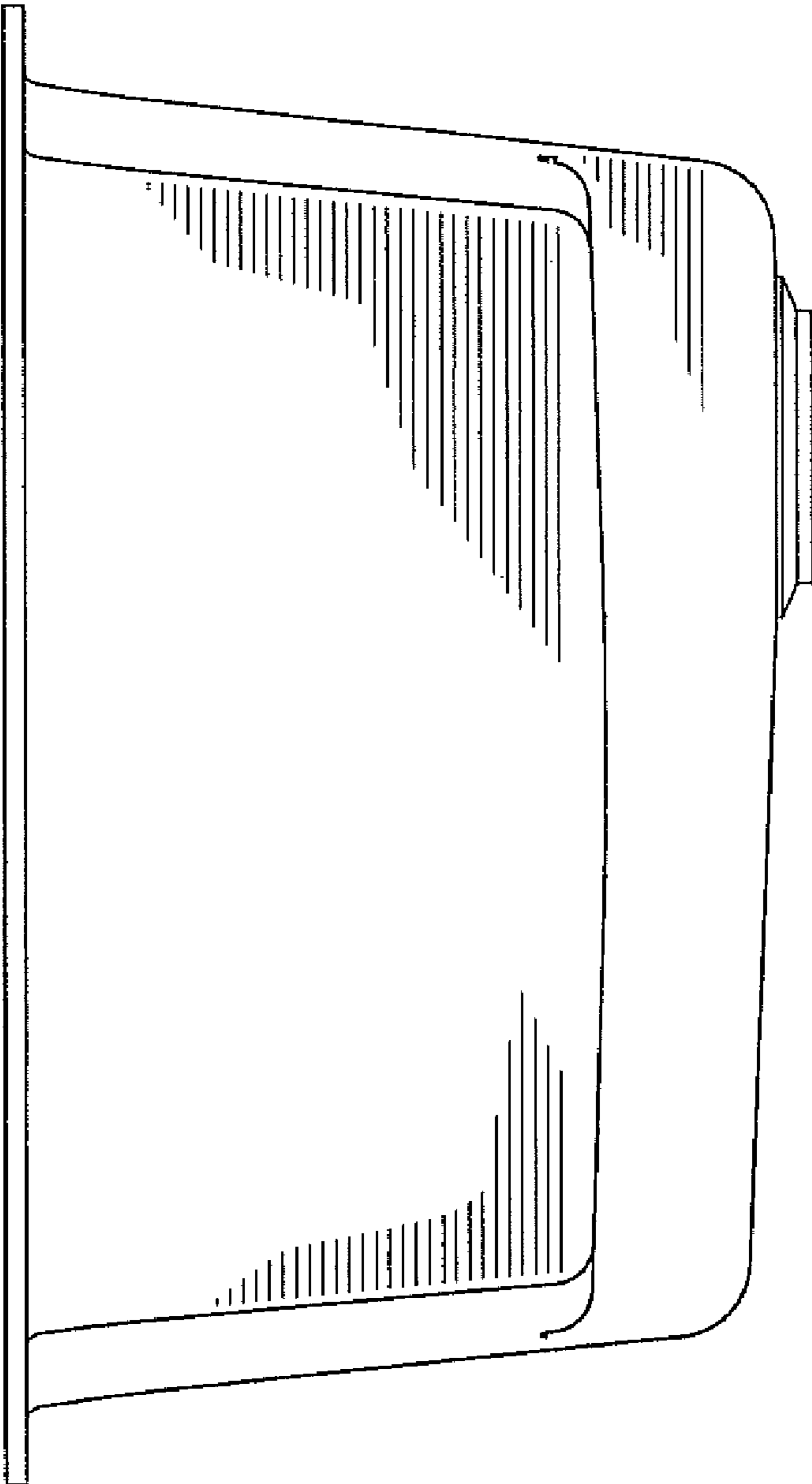


FIG. 6

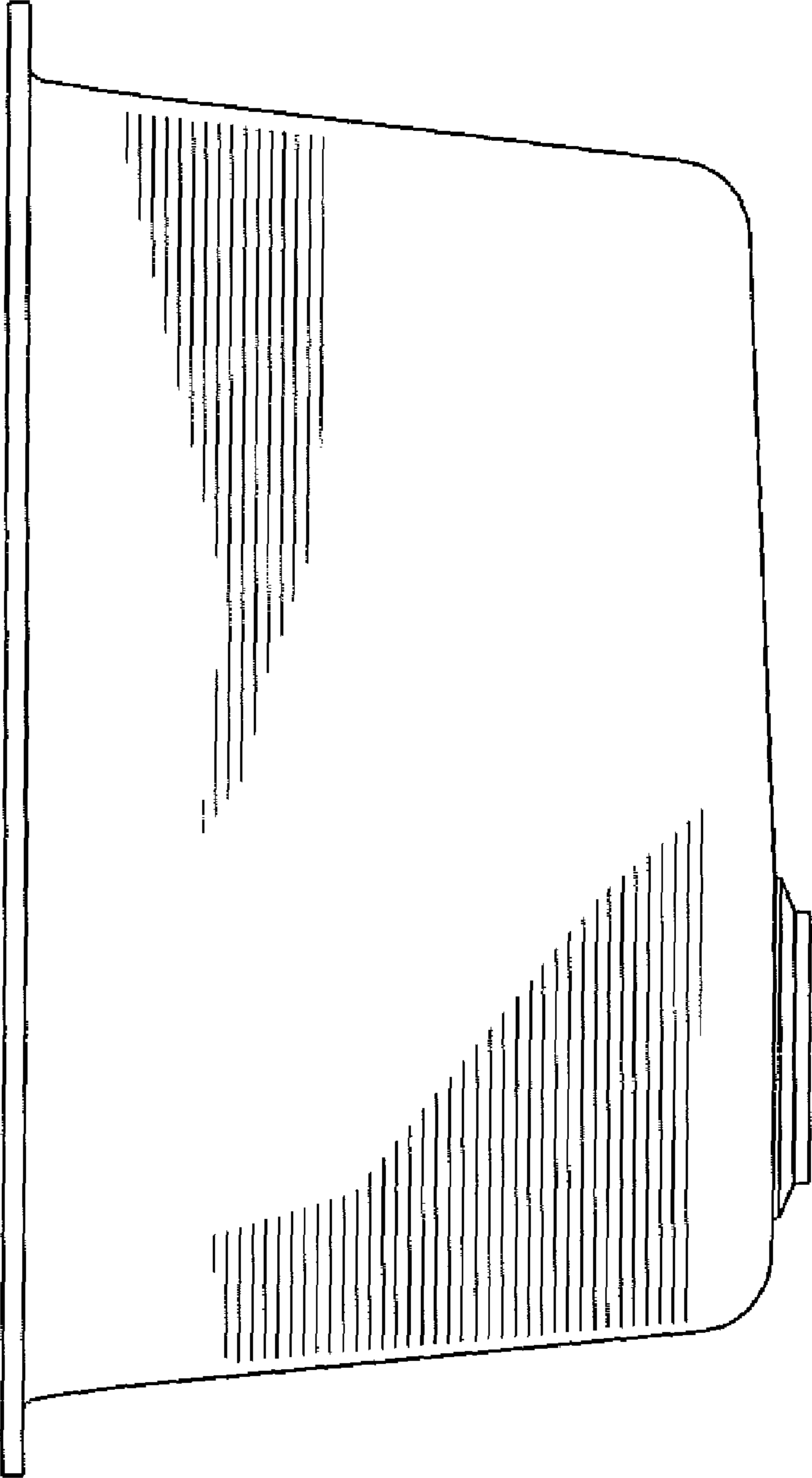


FIG. 7